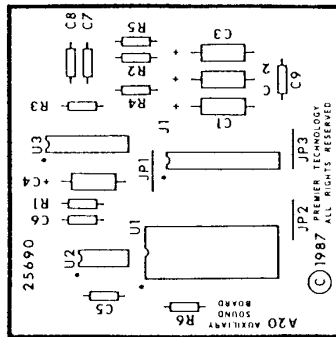


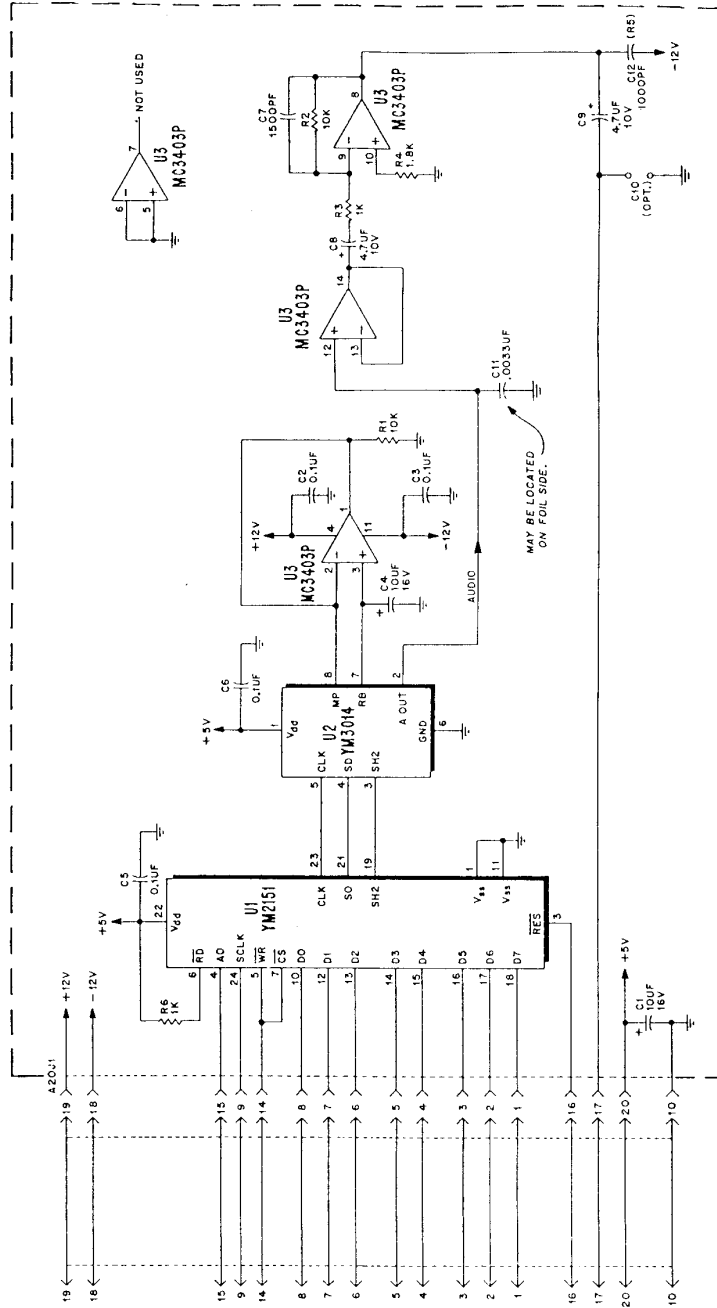
X. WIRING AND SCHEMATIC DIAGRAMS, PARTS LISTS

AUXILIARY SOUND BOARD (A20)
COMPONENT LOCATION



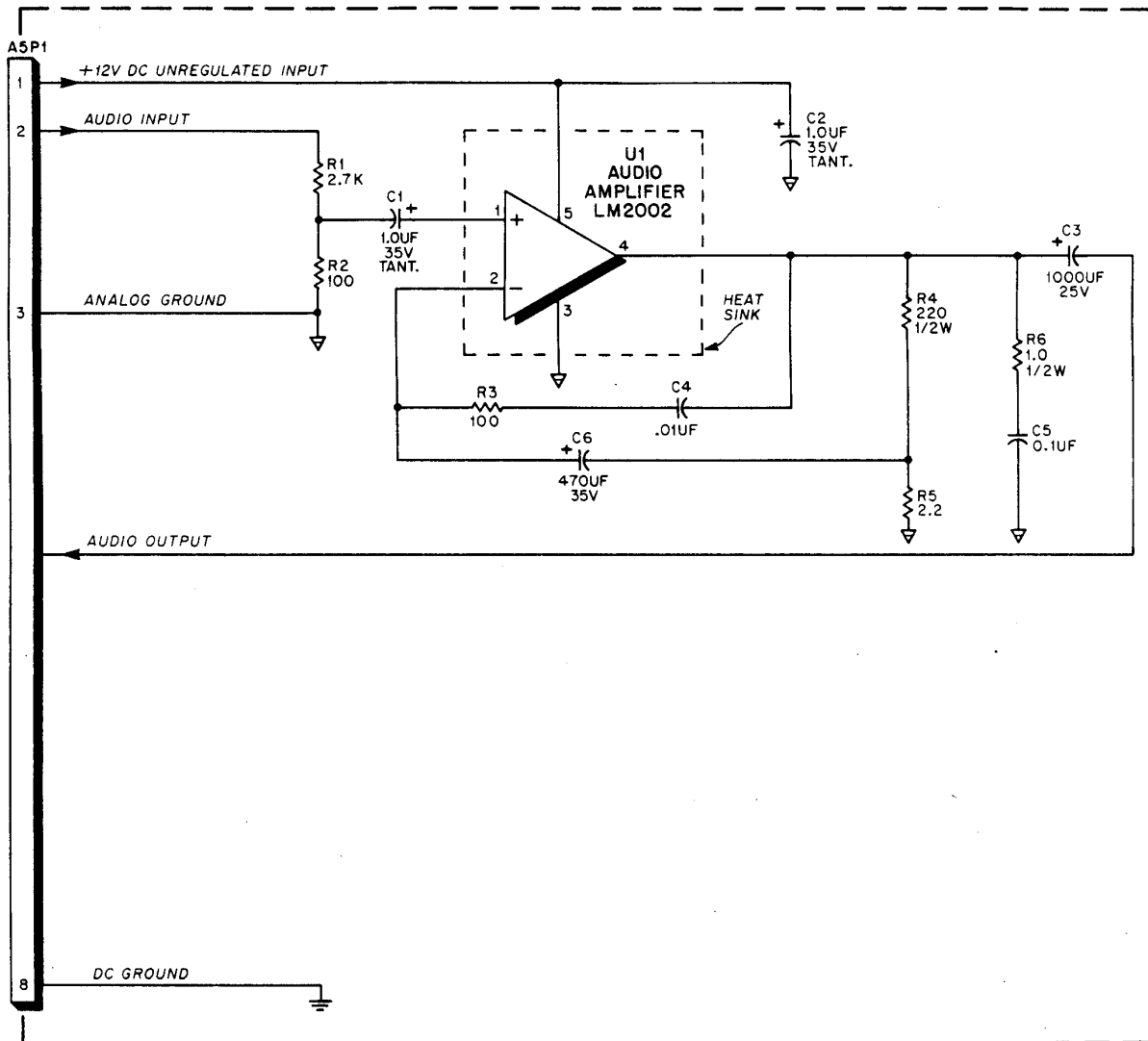
AUXILIARY SOUND BOARD (A20)
PARTS LIST

REFERENCE	DESCRIPTION	PART NUMBER
C1, C4	NON-POLAR SOUND BOARD	MA-1294
C2, C3, C5, C6	CAPACITOR, 100UF, 50V, 50% TOL, 10V	XO-846
C7, C8	CAPACITOR, 0.1UF, 50V, 50% TOL, 50V	XO-200
C9	CAPACITOR, 1000PF, 10V, 50% TOL, 10V	XO-224
C10	CAPACITOR, 1000PF, 10V, 50% TOL, 10V	XO-224
C11	CAPACITOR, 3300PF, 10V, 50% TOL, 10V	XO-600
C12 (RS)	CAPACITOR, 1000PF, 10V, 100V	XO-286
R1	RESISTOR, 10K OHM, 1/4W, 5% TOL, 1/4W	XO-450
R2	RESISTOR, 10K OHM, 1/4W, 5% TOL, 1/4W	XO-450
R3, R6	RESISTOR, 1K OHM, 1/4W, 5% TOL, 1/4W	XO-21
R4	RESISTOR, 1.5K OHM, 1/4W, 5% TOL, 1/4W	XO-17
R5	RESISTOR, 1.5K OHM, 1/4W, 5% TOL, 1/4W	XO-17
U1	IC, SERIAL DAC, NM1014	XO-882
U2	IC, SERIAL DAC, NM1014	XO-882
U3	IC, 5V4D OP-AMP, MC3403P	XO-543
J1, J2, J3, J4	JUMPER, 22 GAUGE (3)	XO-168
	SOCKET, 20 PIN DIP	XO-491
	SOCKET, 24 PIN DIP	XO-529
	PIBSON CABLE	25699



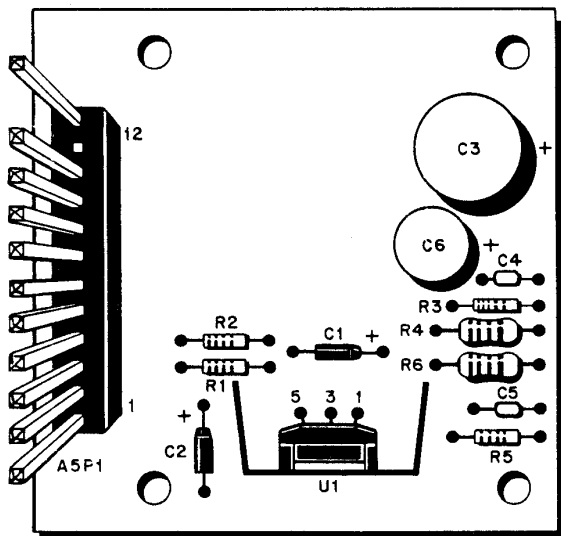
AUXILIARY SOUND BOARD (A20) SCHEMATIC DIAGRAM

X. WIRING AND SCHEMATIC DIAGRAMS, PARTS LISTS



**AUXILIARY POWER SUPPLY (A5)
COMPONENT LOCATION**

**AUXILIARY POWER SUPPLY (A5)
SCHEMATIC DIAGRAM**



**AUXILIARY POWER SUPPLY (A5)
PARTS LIST**

REFERENCE	DESCRIPTION	PART NUMBER
	AUXILIARY POWER SUPPLY (A5)	MA-1395
C1,C2	CAPACITOR, 1UF, 10%, 35V, TANT.	XO-715
C3	CAPACITOR, 1000UF, 25V	XO-874
C4	CAPACITOR, .01UF, +80% -20%, 50V	XO-229
C5	CAPACITOR, 0.1UF, +80% -20%, 50V	XO-230
C6	CAPACITOR, 470UF, 35V	XO-284
R1	RESISTOR, 2.7K Ohm, 5%, 1/4W	XO-6
R2,R3	RESISTOR, 100 Ohm, 5%, 1/4W	XO-28
R4	RESISTOR, 220 Ohm, 5%, 1/2W	XO-185
R5	RESISTOR, 2.2 Ohm, 5%, 1/4W	XO-595
R6	RESISTOR, 1 Ohm, 5%, 1/2W	XO-593
U1	AUDIO AMPLIFIER, LM2002	XO-550
	HEAT SINK	XO-472
	12 POSITION CONNECTOR	XO-879