

SECTION **11** REPLACEABLE
MECHANICAL
PARTS

REPLACEABLE MECHANICAL PARTS

PARTS ORDERING INFORMATION

Replacement parts are available from or through your local Tektronix, Inc. Field Office or representative.

Changes to Tektronix instruments are sometimes made to accommodate improved components as they become available, and to give you the benefit of the latest circuit improvements developed in our engineering department. It is therefore important, when ordering parts, to include the following information in your order: Part number, instrument type or number, serial number, and modification number if applicable.

If a part you have ordered has been replaced with a new or improved part, your local Tektronix, Inc. Field Office or representative will contact you concerning any change in part number.

Change information, if any, is located at the rear of this manual.

ITEM NAME

In the Parts List, an Item Name is separated from the description by a colon (:). Because of space limitations, an Item Name may sometimes appear as incomplete. For further Item Name identification, the U.S. Federal Cataloging Handbook H6-1 can be utilized where possible.

FIGURE AND INDEX NUMBERS

Items in this section are referenced by figure and index numbers to the illustrations.

INDENTATION SYSTEM

This mechanical parts list is indented to indicate item relationships. Following is an example of the indentation system used in the description column.

```

1 2 3 4 5           Name & Description
Assembly and/or Component
Attaching parts for Assembly and/or Component
    - - - * - - -
Detail Part of Assembly and/or Component
Attaching parts for Detail Part
    - - - * - - -
Parts of Detail Part
Attaching parts for Parts of Detail Part
    - - - * - - -
    
```

Attaching Parts always appear in the same indentation as the item it mounts, while the detail parts are indented to the right. Indented items are part of, and included with, the next higher indentation. The separation symbol - - - * - - - indicates the end of attaching parts.

Attaching parts must be purchased separately, unless otherwise specified.

ABBREVIATIONS

#	INCH	ELCTRN	ELECTRON	IN	INCH	SE	SINGLE END
ACTR	NUMBER SIZE	ELEC	ELECTRICAL	INCAND	INCANDESCENT	SECT	SECTION
ADPTR	ACTUATOR	ELCTLT	ELECTROLYTIC	INSUL	INSULATOR	SEMICOND	SEMICONDUCTOR
ALIGN	ADAPTER	ELEM	ELEMENT	INTL	INTERNAL	SHLD	SHIELD
AL	ALIGNMENT	EPL	ELECTRICAL PARTS LIST	LPHLDR	LAMPHOLDER	SHLDR	SHOULDERED
ALUM	ALUMINUM	EQPT	EQUIPMENT	MACH	MACHINE	SKT	SOCKET
ASSEM	ASSEMBLED	EXT	EXTERNAL	MECH	MECHANICAL	SL	SLIDE
ASSY	ASSEMBLY	FIL	FILLISTER HEAD	MTG	MOUNTING	SLFLKG	SELF-LOCKING
ATTEN	ATTENUATOR	FLEX	FLEXIBLE	NIP	NIPPLE	SLVG	SLEEVING
AWG	AMERICAN WIRE GAGE	FLH	FLAT HEAD	NON WIRE	NOT WIRE WOUND	SPR	SPRING
BD	BOARD	FLTR	FILTER	OBD	ORDER BY DESCRIPTION	SQ	SQUARE
BRKT	BRACKET	FR	FRAME or FRONT	OD	OUTSIDE DIAMETER	SST	STAINLESS STEEL
BRS	BRASS	FSTNR	FASTENER	OVH	OVAL HEAD	STL	STEEL
BRZ	BRONZE	FT	FOOT	PH BRZ	PHOSPHOR BRONZE	SW	SWITCH
BSHG	BUSHING	FXD	FIXED	PL	PLAIN or PLATE	T	TUBE
CAB	CABINET	GSKT	GASKET	PLSTC	PLASTIC	TERM	TERMINAL
CAP	CAPACITOR	HDL	HANDLE	PN	PART NUMBER	THD	THREAD
CER	CERAMIC	HEX	HEXAGON	PNH	PAN HEAD	THK	THICK
CHAS	CHASSIS	HEX HD	HEXAGONAL HEAD	PWR	POWER	TNSN	TENSION
CKT	CIRCUIT	HEX SOC	HEXAGONAL SOCKET	RCPT	RECEPTACLE	TPG	TAPPING
COMP	COMPOSITION	HLCPS	HELICAL COMPRESSION	RES	RESISTOR	TRH	TRUSS HEAD
CONN	CONNECTOR	HLEXT	HELICAL EXTENSION	RGD	RIGID	V	VOLTAGE
COV	COVER	HV	HIGH VOLTAGE	RLF	RELIEF	VAR	VARIABLE
CPLG	COUPLING	IC	INTEGRATED CIRCUIT	RTNR	RETAINER	W	WITH
CRT	CATHODE RAY TUBE	ID	INSIDE DIAMETER	SCH	SOCKET HEAD	WSHR	WASHER
DEG	DEGREE	IDENT	IDENTIFICATION	SCOPE	OSCILLOSCOPE	XFMR	TRANSFORMER
DWR	DRAWER	IMPLR	IMPELLER	SCR	SCREW	XSTR	TRANSISTOR

CROSS INDEX - MFR. CODE NUMBER TO MANUFACTURER

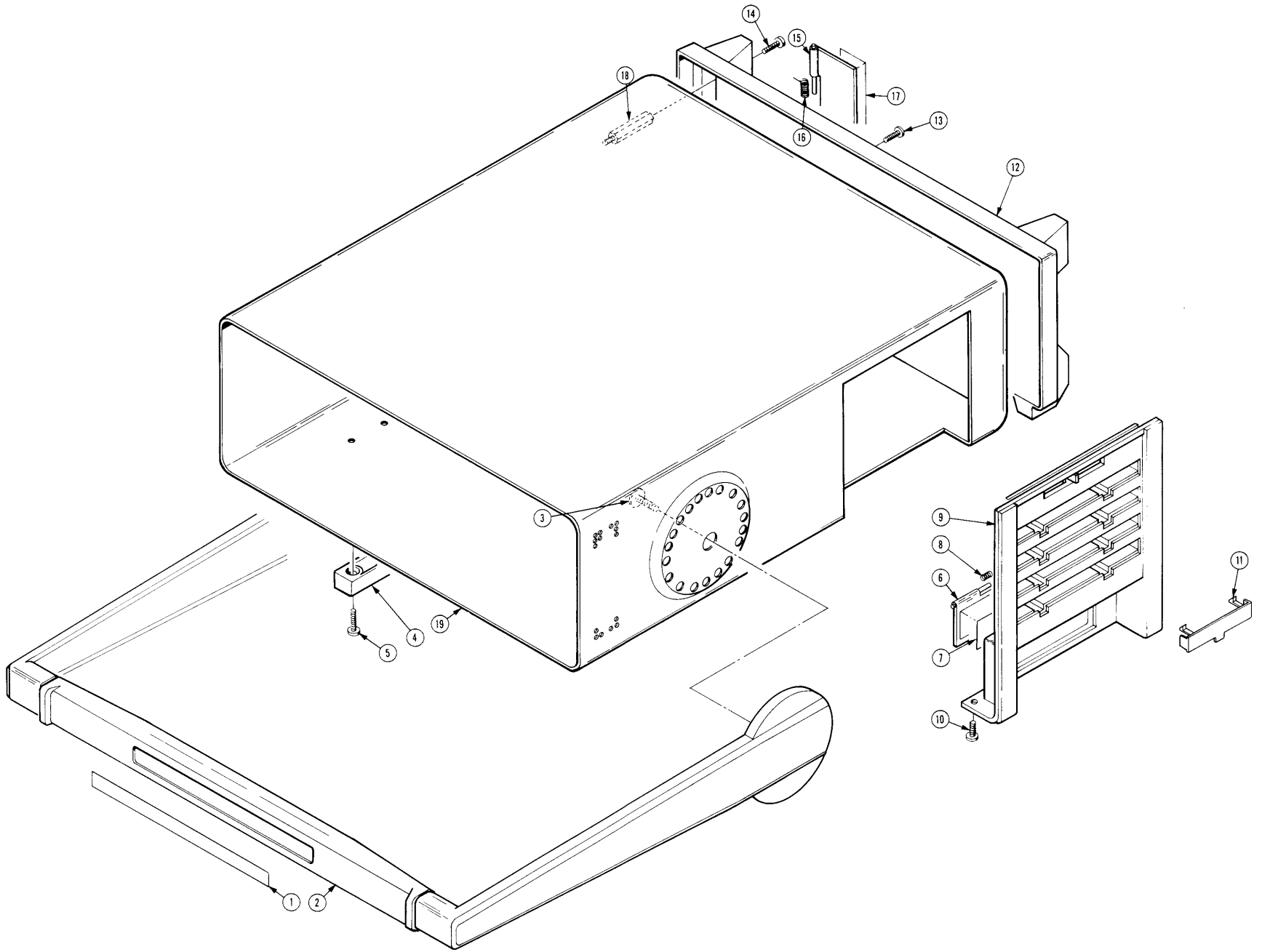
Mfr. Code	Manufacturer	Address	City, State, Zip Code
000BK	STAUFFER SUPPLY	105 SE TAYLOR	PORTLAND, OR 97214
00779	AMP INC	2800 FULLING MILL PO BOX 3608	HARRISBURG PA 17105
01536	TEXTRON INC CAMCAR DIV	1818 CHRISTINA ST	ROCKFORD IL 61108
02660	SEMS PRODUCTS UNIT AMPHENOL CORP	4300 COMMERCE CT	LISLE IL 60532
05574	SUB OF ALLIED CORP COMMERCIAL AND INDUSTRIAL OPNS VIKING CONNECTORS INC	21001 NORDHOFF ST	CHATSWORTH CA 91311-5911
06383	SUB OF CRITON CORP		
06540	PANDUIT CORP MITE CORP	17301 RIDGELAND 446 BLAKE ST	TINLEY PARK IL 07094-2917 NEW HAVEN CT 06515-1238
06915	AMATOM ELECTRONIC HARDWARE DIV		
07416	RICHCO PLASTIC CO	5825 N TRIPP AVE	CHICAGO IL 60646-6013
08261	NELSON NAME PLATE CO	3191 CASITAS	LOS ANGELES CA 90039-2410
09922	SPECTRA-STRIP AN ELTRA CO	7100 LAMPSON AVE	GARDEN GROVE CA 92642
13103	BURNDY CORP	RICHARDS AVE	NORWALK CT 06852
	THERMALLOY CO INC	2021 W VALLEY VIEW LN PO BOX 810839	DALLAS TX 75381
16428	COOPER BELDEN ELECTRONIC WIRE AND CA SUB OF COOPER INDUSTRIES INC	NW N ST	RICHMOND IN 47374
18680	HIGHLAND MFG CO THE	1240 WOLCOTT ST	WATERBURY CT 06720
22526	DIV OF BUELL INDUSTRIES INC DU PONT E I DE NEMOURS AND CO INC	515 FISHING CREEK RD	NEW CUMBERLAND PA 17070-3007
24931	DU PONT CONNECTOR SYSTEMS DIV MILITARY PRODUCTS GROUP SPECIALTY CONNECTOR CO INC	2100 EARLYWOOD DR PO BOX 547	FRANKLIN IN 46131
27264	MOLEX INC	2222 WELLINGTON COURT	LISLE IL 60532-1613
31781	EDAC INC	20 RAILSIDE RD DON MILLS	ONT M3A 1A4 CAN
70903	COOPER BELDEN ELECTRONICS WIRE AND C SUB OF COOPER INDUSTRIES INC	2000 S BATAVIA AVE	GENEVA IL 60134-3325
71468	ITT CANNON	10550 TALBERT AVE	FOUNTAIN VALLEY CA 92728-8040
73743	DIV OF ITT CORP	PO BOX 8040	
77900	FISCHER SPECIAL MFG CO	111 INDUSTRIAL RD	COLD SPRING KY 41076-9749
	SHAKEPROOF	SAINT CHARLES RD	ELGIN IL 60120
78189	DIV OF ILLINOIS TOOL WORKS ILLINOIS TOOL WORKS INC	ST CHARLES ROAD	ELGIN IL 60120
80009	SHAKEPROOF DIV TEKTRONIX INC	14150 SW KARL BRAUN DR PO BOX 500 MS 53-111	BEAVERTON OR 97707-0001
83385	2221 W BIG BEAVER RD		TROY MI 48098
85471	MICRODOT MFG INC		
86928	GREER-CENTRAL DIV		
87473	BOYD CORP	13885 RAMOMA AVE	CHINO CA 91710
	SEASTROM MFG CO INC	701 SONORA AVE	GLENDALE CA 91201-2431
91500	INSULECTRO	3176 AIRWAY AVE	COSTA MESA CA 92626-4608
	A DIV OF QUINTEC INDUSTRIES		
93907	ASHEVILLE-SCHOONMAKER MICA CO	910 JEFFERSON AVE P O BOX 318	NEWPORT NEWS VA 23607-6120
S3109	TEXTRON INC CAMCAR DIV	600 18TH AVE	ROCKFORD IL 61101
S3629	FELLER	ASA ADOLF AG STOTZWEID CH8810	HORGEN SWITZERLAND
TK0060	SCHURTER AG H	2015 SECOND STREET	BERKELEY CA 94170
TK0392	C/O PANEL COMPONENTS CORP		
TK0435	WRIGHT ENGINEERING PLASTICS INC	10350 OLD REDWOOD HWY	WINDSOR CA 95492-9208
TK0508	NORTHWEST FASTENER SALES INC	7923 SW CIRRUS DRIVE	BEAVERTON OR 97005-6448
TK0858	LEWIS SCREW CO	4300 S RACINE AVE	CHICAGO IL 60609-3320
TK1148	NORTHWEST SPRING AND MFG CO	5858 WILLOW LANE	LAKE OSWEGO OR 97034-5343
TK1373	STAUFFER SUPPLY CO	105 SE TAYLOR	PORTLAND OR 97214
	H SCHURTER AG DIST PANEL COMPONENTS	2015 SECOND STREET	BERKELEY CA 94170
	ACACIA SALES INC (DIST)	7763 SW CIRRUS DR BLDG 26	BEAVERTON OR 97005-6452
	PATELEC-CEM (ITALY)	10156 TORINO	VAICENTALLO 62/45S ITALY

CROSS INDEX - MFR. CODE NUMBER TO MANUFACTURER

<u>Mfr. Code</u>	<u>Manufacturer</u>	<u>Address</u>	<u>City, State, Zip Code</u>
TK1483	TEKA PRODUCTS INC	45 SALEM ST	PROVIDENCE RI 02907

Replaceable Mechanical Parts
1240 Service Vol.11

Fig. & Index No.	Tektronix Part No.	Serial/Assembly No.		Qty	12345 Name & Description	Mfr.	
		Effective	Dscort			Code	Mfr. Part No.
1-1	334-4896-00			1	MARKER,IDENT:MKD HANDLE	80009	334-4896-00
-2	367-0322-00			1	HANDLE,CARRYING:13.800 L,SST (ATTACHING PARTS)	80009	367-0322-00
-3	212-0144-00			2	SCREW,TPG,TF:8-16 X 0.562 L,PLASTITE (END ATTACHING PARTS)	93907	225-38131-012
-4	348-0770-00			2	FOOT,CABINET:BLACK POLYURETHANE (ATTACHING PARTS)	80009	348-0770-00
-5	211-0504-00			4	SCREW,MACHINE:6-32 X 0.250,PNH,STL (END ATTACHING PARTS)	TK0435	ORDER BY DESCR
-6	200-2815-00			2	DOOR,ROM PACK:POLYCARBONATE	80009	200-2815-00
-7	334-4754-00			1	MARKER,IDENT:MKD RECEPTACLE,ROM PACK	80009	334-4754-00
-8	214-1906-00			2	SPR,HLCL,TRSN:0.108 OD X 1.25,MUSIC WIRE	TK0508	ORDER BY DESCR
-9	351-0696-00			1	GUIDE,PROBE:POLYCARBONATE,SMOKE TAN (ATTACHING PARTS)	80009	351-0696-00
-10	211-0504-00			2	SCREW,MACHINE:6-32 X 0.250,PNH,STL (END ATTACHING PARTS)	TK0435	ORDER BY DESCR
-11	200-2782-00			1	COVER,HOLE:	80009	200-2782-00
-12	426-1914-00			1	FRAME PNL,CAB.:REAR (ATTACHING PARTS)	80009	426-1914-00
-13	211-0504-00			4	SCREW,MACHINE:6-32 X 0.250,PNH,STL	TK0435	ORDER BY DESCR
-14	211-0510-00			2	SCREW,MACHINE:6-32 X 0.375,PNH,STL (END ATTACHING PARTS)	83385	ORDER BY DESCR
-15	200-2815-00			1	DOOR,ROM PACK:POLYCARBONATE	80009	200-2815-00
-16	214-1906-00			1	SPR,HLCL,TRSN:0.108 OD X 1.25,MUSIC WIRE	TK0508	ORDER BY DESCR
-17	334-4757-00			1	MARKER,IDENT:MKD COMMUNICATION PACK	80009	334-4757-00
-18	129-1006-00			4	SPACER,POST:0.95 L,6-32 EXT/INT,BRS,ZN	06540	9743-61-B-0632
-19	437-0295-00			1	CAB.,LGC ANALY:	80009	437-0295-00



REV JUL 1986

1240 Service Vol. II

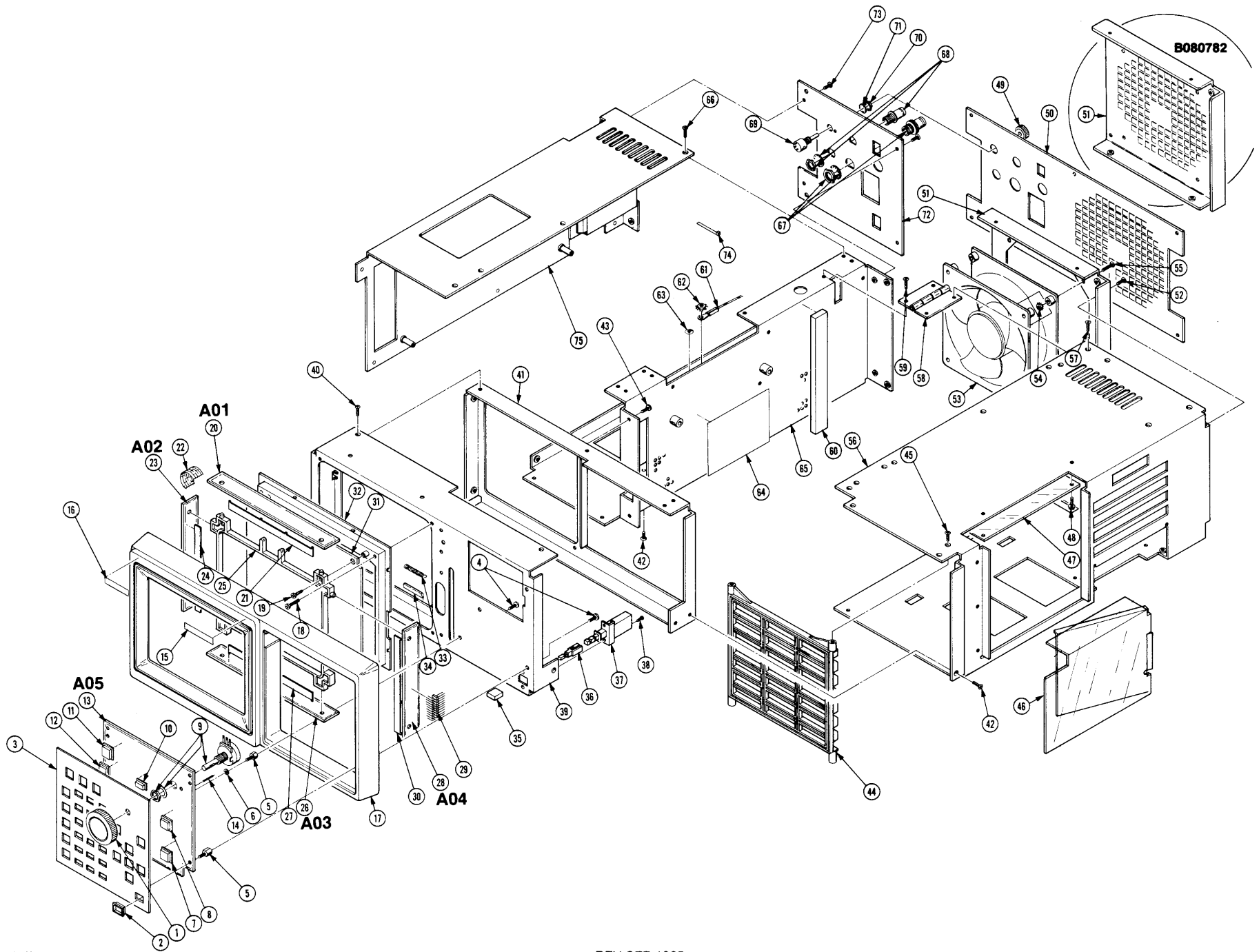


Fig. & Index No.	Tektronix Part No.	Serial/Assembly No.		Qty	12345 Name & Description	Mfr.	
		Effective	Dscnt			Code	Mfr. Part No.
2-1	366-2159-00			1	KNOB:IVORY GRAY,SCROLL,1.243 ID X 1.4 OD	80009	366-2159-00
	213-0153-00			1	.SETSCREW:5-40 X 0.125,STL	TK0392	ORDER BY DESCR
-2	426-0785-00			1	FRAME,PUSH BTN:	80009	426-0785-00
-3	333-2924-00			1	PANEL,FRONT: (ATTACHING PARTS)	80009	333-2924-00
-4	211-0504-00			4	SCREW,MACHINE:6-32 X 0.250,PNH,STL	TK0435	ORDER BY DESCR
-5	129-0208-00			4	SPACER,POST:0.312 L,W/6-32 THD 1 END (END ATTACHING PARTS)	80009	129-0208-00
-6	210-1092-00			1	WASHER,FLAT:0.147 ID X 0.312 OD X 0.028	86928	5714-33-32N
-7	366-2033-01			4	PUSH BUTTON:DOVE GRAY,UP ARROW	TK0060	ORDER BY DESCR
	366-2033-03			1	PUSH BUTTON:DOVE GRAY,NEXT	TK0060	ORDER BY DESCR
-8	366-2030-23			1	PUSH BUTTON:IVORY GRAY,0.4 SQ X 0.175 H	TK0060	ORDER BY DESCR
-9	-----			1	ENCODER,DIGITAL:(SEE S235 REPL)		
-10	366-2032-01			1	PUSH BUTTON:IVORY GRAY,1	TK0060	ORDER BY DESCR
	366-2032-02			1	PUSH BUTTON:IVORY GRAY,2	TK0060	ORDER BY DESCR
	366-2032-03			1	PUSH BUTTON:IVORY GRAY,3	TK0060	ORDER BY DESCR
	366-2032-04			1	PUSH BUTTON:IVORY GRAY,4	TK0060	ORDER BY DESCR
	366-2032-05			1	PUSH BUTTON:IVORY GRAY,5	TK0060	ORDER BY DESCR
	366-2032-06			1	PUSH BUTTON:IVORY GRAY,6	TK0060	ORDER BY DESCR
	366-2032-07			1	PUSH BUTTON:IVORY GRAY,7	TK0060	ORDER BY DESCR
	366-2032-08			1	PUSH BUTTON:IVORY GRAY,8	TK0060	ORDER BY DESCR
	366-2032-09			1	PUSH BUTTON:IVORY GRAY,9	TK0060	ORDER BY DESCR
	366-2032-10			1	PUSH BUTTON:IVORY GRAY,0	TK0060	ORDER BY DESCR
	366-2032-11			1	PUSH BUTTON:IVORY GRAY,A	TK0060	ORDER BY DESCR
	366-2032-12			1	PUSH BUTTON:IVORY GRAY,B	TK0060	ORDER BY DESCR
	366-2032-13			1	PUSH BUTTON:IVORY GRAY,C	TK0060	ORDER BY DESCR
	366-2032-14			1	PUSH BUTTON:IVORY GRAY,D	TK0060	ORDER BY DESCR
	366-2032-15			1	PUSH BUTTON:IVORY GRAY,E	TK0060	ORDER BY DESCR
	366-2032-16			1	PUSH BUTTON:IVORY GRAY,F	TK0060	ORDER BY DESCR
	366-2032-17			1	PUSH BUTTON:IVORY GRAY,X	TK0060	ORDER BY DESCR
	366-2032-18			1	PUSH BUTTON:IVORY GRAY,DIAMOND	TK0060	ORDER BY DESCR
-11	366-2030-00			3	PUSH BUTTON:IVORY GRAY,0.4SQ X 0.175	TK0060	ORDER BY DESCR
-12	366-2045-00			5	PUSH BUTTON:SLATE GRAY,0.4 SQ X 0.24 H	TK0060	ORDER BY DESCR
-13	-----			1	CKT BOARD ASSY:KEYBOARD(SEE A05 REPL)		
-14	131-0608-00			57	.TERMINAL,PIN:0.365 L X 0.025 BRZ GLD PL	22526	48283-036
-15	334-4785-00			1	MARKER,IDENT:MKD 1240	80009	334-4785-00
-16	334-5013-01	B010100	B091628	1	EMBLEM:	80009	334-5013-01
	334-0094-00	B091629		1	EMBLEM:SMOKE TAN W/O STUD	80009	334-0094-00
-17	426-1913-01			1	FRAME PNL,CAB.:FRONT,FINISHED	80009	426-1913-01
	174-0086-00	B091464		1	BRAID ASSY,WIRE:4.75 L	80009	174-0086-00
	210-0457-00	B091464		1	NUT,PL,ASSEM WA:6-32 X 0.312,STL CD PL	78189	511-061800-00
	672-1130-00			1	CIRCUIT BD ASSY:LED/PT (ATTACHING PARTS)	80009	672-1130-00
-18	211-0513-00			4	SCREW,MACHINE:6-32 X 0.625,PNH,STL	93907	B80-00032-003
-19	213-0054-00	B010100	B080339	4	SCREW,TPG,TF:6-32 X 0.312,TYPE T,PNH,STL	93907	ORDER BY DESCR
	213-0146-00	B080340		4	SCREW,TPG,TF:6-20 X 0.312,TYPE B,PNH,STL (END ATTACHING PARTS)	83385	ORDER BY DESCR
-20	-----			1	CKT BOARD ASSY INCLUDES: .CKT BOARD ASSY:PT-1(SEE A01 REPL)		
-21	337-3072-00			1	.SHIELD,CKT BD:STATIC	80009	337-3072-00
-22	-----			3	.CA ASSY SP,ELEC:(PART OF 672-1130-00)		
-23	-----			1	.CKT BOARD ASSY:PT-2(SEE A02 REPL)		
-24	337-3072-00			1	.SHIELD,CKT BD:STATIC	80009	337-3072-00
-25	378-0200-00			1	.FILTER,LIGHT:LIGHT EMITTING DIODE	80009	378-0200-00
-26	-----			1	.CKT BOARD ASSY:LED-1(SEE A03 REPL)		
-27	337-3072-00			1	.SHIELD,CKT BD:STATIC	80009	337-3072-00
-28	-----			1	.CKT BOARD ASSY:LED-2(SEE A04 REPL)		
-29	131-2221-00			1	.CONN,RCPT,ELEC:CKT BD,50 CONT,MALE	22526	65626-150
-30	337-3072-00			1	.SHIELD,CKT BD:STATIC	80009	337-3072-00
-31	337-3030-00			1	SHLD,IMPLOSION:	80009	337-3030-00
-32	343-1049-00			1	RETAINER,CRT:740	80009	343-1049-00
-33	214-1699-00	B010100	B091463	1	SPRING,HLEXT:0.18 OD X 4.0,STL ZN PL,XLOOP	TK0508	V14C
	214-3103-00	B091464		1	SPRING,HLEXT:0.187 OD X 0.94 L,MUW	80009	214-3103-00
-34	252-0571-00			AR	NEOPRENE EXTR:CHAN,0.234 X 0.156	85471	ORDER BY DESCR
-35	366-1381-01			1	PUSH BUTTON:BLK,POWER OFF	80009	366-1381-01
-36	384-1136-00			1	EXTENSION SHAFT:0.95 INCH LONG	80009	384-1136-00
-37	-----			1	SWITCH,PUSH:(SEE S181 REPL) (ATTACHING PARTS)		

Replaceable Mechanical Parts
1240 Service Vol.11

Fig. & Index No.	Tektronix Part No.	Serial/Assembly No.		Qty	12345	Name & Description	Mfr.	
		Effective	Dscont				Code	Mfr. Part No.
2-38	211-0022-00			2		SCREW,MACHINE:2-56 X 0.188,PNH,STL (END ATTACHING PARTS)	TK0435	ORDER BY DESCR
-39	386-4831-01			1		SUBPANEL,FRONT: (ATTACHING PARTS)	80009	386-4831-01
-40	211-0101-00			4		SCREW,MACHINE:4-40 X 0.25,FLH,100 DEG,STL (END ATTACHING PARTS)	TK0435	ORDER BY DESCR
-41	426-1901-00	B010100	B091463	1		FRAME PNL,CHAS:FRONT,ALUMINUM	80009	426-1901-00
	426-1901-01	B091464		1		FRAME PNL,CHAS:FRONT,ALUMINUM (ATTACHING PARTS)	80009	426-1901-01
-42	211-0101-00			6		SCREW,MACHINE:4-40 X 0.25,FLH,100 DEG,STL	TK0435	ORDER BY DESCR
-43	211-0504-00			2		SCREW,MACHINE:6-32 X 0.250,PNH,STL (END ATTACHING PARTS)	TK0435	ORDER BY DESCR
-44	351-0697-00			3		GUIDE,CKT BOARD:PLASTIC,5.745 L (ATTACHING PARTS)	80009	351-0697-00
-45	211-0101-00			10		SCREW,MACHINE:4-40 X 0.25,FLH,100 DEG,STL (END ATTACHING PARTS)	TK0435	ORDER BY DESCR
-46	337-3127-00			1		SHIELD,CKT BD:LEXAN	80009	337-3127-00
-47	337-3095-00			1		SHIELD,ELEC:CABLE (ATTACHING PARTS)	80009	337-3095-00
-48	211-0661-00			4		SCR,ASSEM WSHR:4-40 X 0.25,PNH,STL,POZ (END ATTACHING PARTS)	01536	821-01655-024
-49	366-1264-00			1		KNOB:GY,0.127 ID X 0.6 OD X 0.375 H	80009	366-1264-00
	213-0153-00			1		.SETSCREW:5-40 X 0.125,STL	TK0392	ORDER BY DESCR
-50	333-2919-00	B010100	B079999	1		PANEL,REAR:	80009	333-2919-00
	333-2919-02	B080000	B091813	1		PANEL,REAR:	80009	333-2919-02
	333-2919-01	B091814		1		PANEL,REAR:	80009	333-2919-01
-51	407-2893-00	B010100	B080781	1		BRACKET,FAN:ALUMINUM	80009	407-2893-00
	407-2893-01	B080782		1		BRACKET,FAN:ALUMINUM (ATTACHING PARTS)	80009	407-2893-01
-52	211-0101-00			6		SCREW,MACHINE:4-40 X 0.25,FLH,100 DEG,STL (END ATTACHING PARTS)	TK0435	ORDER BY DESCR
-53	-----			1		FAN,VENTILATING:(SEE B111 REPL) (ATTACHING PARTS)		
-54	210-0586-00			4		NUT,PL,ASSEM WA:4-40 X 0.25,STL CD PL	78189	211-041800-00
-55	211-0106-00			4		SCREW,MACHINE:4-40 X 0.625,FLH,100 DEG,STL (END ATTACHING PARTS)	TK0435	ORDER BY DESCR
	378-0076-00	B070537	B080781	1		FLTR,SCRN MESH:4.5 SQ,AL	80009	378-0076-00
-56	352-0668-00			1		HOLDER,CKT BD:ALUMINUM (ATTACHING PARTS)	80009	352-0668-00
-57	211-0101-00			4		SCREW,MACHINE:4-40 X 0.25,FLH,100 DEG,STL (END ATTACHING PARTS)	TK0435	ORDER BY DESCR
-58	214-3378-01			2		HINGE,BUTT:2.0 L X 1.5 W,ALUMINUM (ATTACHING PARTS)	80009	214-3378-01
-59	211-0101-00			4		SCREW,MACHINE:4-40 X 0.25,FLH,100 DEG,STL (END ATTACHING PARTS)	TK0435	ORDER BY DESCR
-60	348-0102-00			2		PAD,CUSHIONING:13.76 X 0.67 X 0.188,RUBBER	80009	348-0102-00
-61	-----			1		LEAD,ELECTRICAL:(SEE W301 REPL) (ATTACHING PARTS)		
-62	210-0586-00	B010100	B091209	1		NUT,PL,ASSEM WA:4-40 X 0.25,STL CD PL	78189	211-041800-00
	210-0457-00	B091210		1		NUT,PL,ASSEM WA:6-32 X 0.312,STL CD PL (END ATTACHING PARTS)	78189	511-061800-00
-63	334-3379-00	B010100	B059999	1		MARKER,IDENT:MARKED GROUND SYMBOL	07416	ORDER BY DESCR
	334-3379-01	B060000		1		MARKER,IDENT:MARKED GROUND SYMBOL	80009	334-3379-01
-64	334-5742-00	B060000		1		MARKER,IDENT:MKD CAUTION/CONFIGURATION FOR CARD CASE	80009	334-5742-00
-65	441-1643-00	B010100	B091209	1		CHAS,LGC ANALY:	80009	441-1643-00
	441-1643-03	B091210		1		CHAS,LGC ANALY: (ATTACHING PARTS)	80009	441-1643-03
-66	211-0101-00			6		SCREW,MACHINE:4-40 X 0.25,FLH,100 DEG,STL (END ATTACHING PARTS)	TK0435	ORDER BY DESCR
-67	131-1171-00			1		CONN,RCPT,ELEC:BNC,FEMALE	24931	28JR231-1
-68	131-1315-01			2		CONN,RCPT,ELEC:BNC,FEMALE	80009	131-1315-01
-69	-----			1		RESISTOR,VAR:(SEE R581 REPL) (ATTACHING PARTS)		
-70	210-0583-00			1		NUT,PLAIN,HEX:0.25-32 X 0.312,BRS CD PL	73743	2X-20319-402
-71	210-0046-00			1		WASHER,LOCK:0.261 ID,INTL,0.018 THK,STL	77900	1214-05-00-0541C
	210-1091-00			1		WASHER,FLAT:0.266 ID X 0.437 OD X 0.03,STL (END ATTACHING PARTS)	86928	A371-123-30-C

Fig. & Index No.	Tektronix Part No.	Serial/Assembly No. Effective Dscort	Qty	12345 Name & Description	Mfr. Code	Mfr. Part No.
2-72	386-4865-00		1	SUBPANEL, REAR: (ATTACHING PARTS)	80009	386-4865-00
-73	211-0101-00		4	SCREW, MACHINE: 4-40 X 0.25, FLH, 100 DEG, STL (END ATTACHING PARTS)	TK0435	ORDER BY DESCR
-74	343-0549-00		2	STRAP, TIEDOWN, E: 0.091 W X 4.0 L, ZYTEL	06383	PLT1M
-75	407-2892-00		1	BRACKET, CKT BD: ALUMINUM	80009	407-2892-00

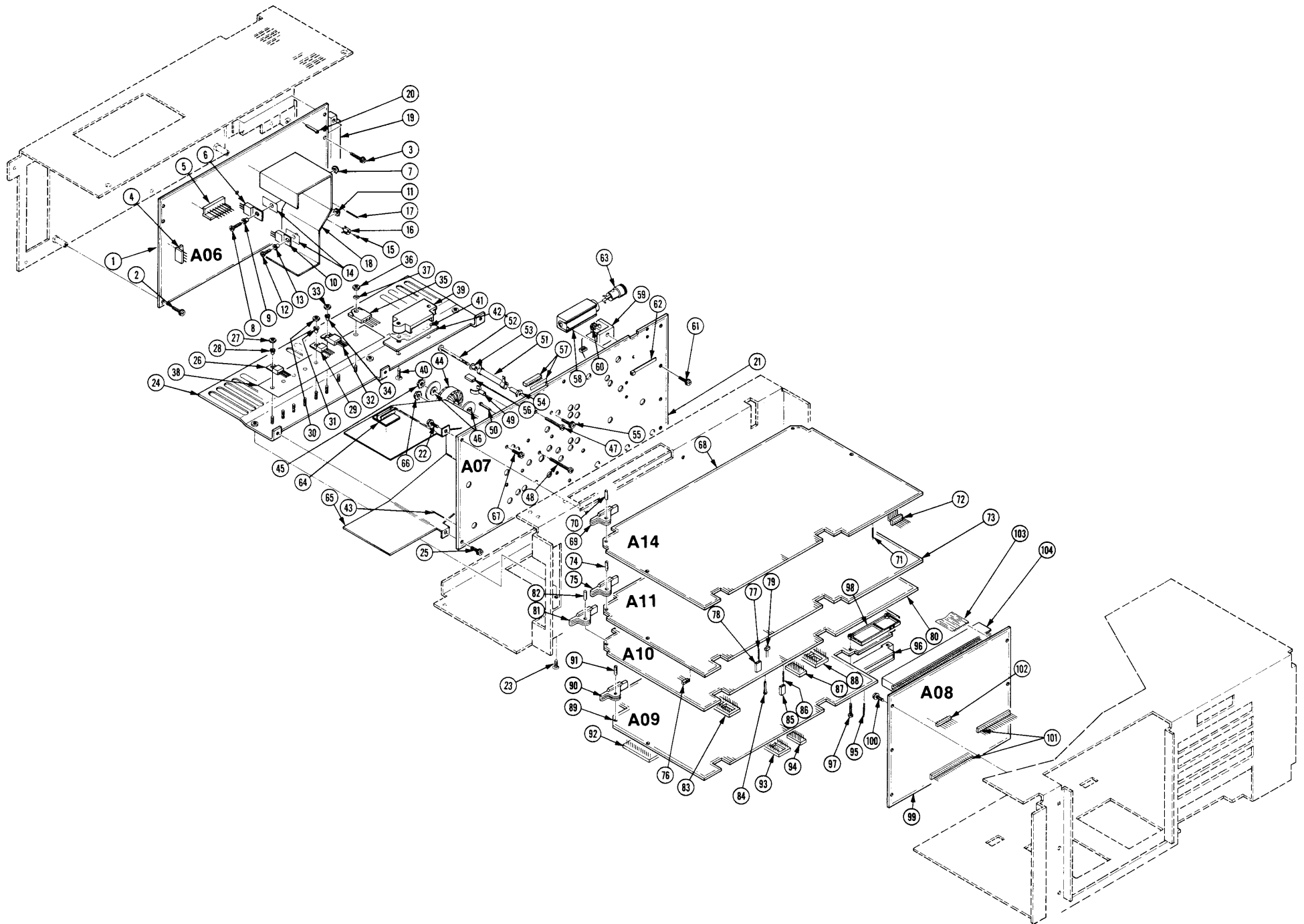
Replaceable Mechanical Parts
1240 Service Vol.11

Fig. & Index No.	Tektronix Part No.	Serial/Assembly No. Effective	Dscont	Qty	12345 Name & Description	Mfr. Code	Mfr. Part No.
3-1	-----			1	CKT BOARD ASSY:CRT DRIVE(SEE A06 REPL) (ATTACHING PARTS)		
-2	211-0315-00			6	SCR,ASSEM WSHR:4-40 X 0.437,PNH,STL CD PL	78189	ORDER BY DESCR
-3	211-0246-00			2	SCR,ASSEM WSHR:4-40 X 0.625,PNH,STL,POZ (END ATTACHING PARTS)	01536	ORDER BY DESCR
-4	131-2575-00			1	CKT BOARD ASSY INCLUDES: .TERM SET,PIN:4 CONTACT,MALE	27264	09-60-1041
-5	131-2527-00			1	.TERM SET,PIN:HEADER,1 X 7,0.156 CTR	27264	09-61-1076
-6	-----			1	.TRANSISTOR:(SEE A06Q265 REPL) (ATTACHING PARTS)		
-7	210-0586-00			1	.NUT,PL,ASSEM WA:4-40 X 0.25,STL CD PL	78189	211-041800-00
-8	211-0097-00			1	.SCREW,MACHINE:4-40 X 0.312,PNH,STL	TK0435	ORDER BY DESCR
-9	210-1178-00			1	.WASHER,SHLDR: (END ATTACHING PARTS)	13103	7721-7PPS
-10	-----			1	.TRANSISTOR:(SEE A06Q560 REPL) (ATTACHING PARTS)		
-11	210-0586-00			1	.NUT,PL,ASSEM WA:4-40 X 0.25,STL CD PL	78189	211-041800-00
-12	211-0097-00			1	.SCREW,MACHINE:4-40 X 0.312,PNH,STL	TK0435	ORDER BY DESCR
-13	210-1178-00			1	.WASHER,SHLDR: (END ATTACHING PARTS)	13103	7721-7PPS
-14	342-0202-00			2	.INSULATOR,PLATE:TRANSISTOR,MICA	91500	10-21-023-106
-15	136-0252-00			3	.SOCKET,PIN TERM:U/W 0.019 DIA PINS	00779	2-330808-7
-16	131-1003-00			3	.CONN,RCPT,ELEC:CKT BD MT,3 PRONG	80009	131-1003-00
-17	131-0608-00			54	.TERMINAL,PIN:0.365 L X 0.025 BRZ GLD PL	22526	48283-036
-18	337-3111-00			1	.SHIELD,ELEC:TRANSFORMER	80009	337-3111-00
-19	131-1262-00			1	.CONN,RCPT,ELEC:EDGE CARD,20/40 CONT,0.1 SP	05574	000201-4338
-20	214-0579-00			11	.TERM,TEST POINT:BRS CD PL	80009	214-0579-00
-21	-----			1	CKT BOARD ASSY:POWER SUPPLY(SEE A07 REPL) (ATTACHING PARTS)		
-22	211-0661-00			1	SCR,ASSEM WSHR:4-40 X 0.25,PNH,STL,POZ	01536	821-01655-024
-23	211-0101-00			3	SCREW,MACHINE:4-40 X 0.25,FLH,100 DEG,STL (END ATTACHING PARTS)	TK0435	ORDER BY DESCR
-24	214-3379-00			1	CKT BOARD ASSY INCLUDES: .HEAT SINK,XSTR:(7)TO-220,(4)TO-218,AL (ATTACHING PARTS)	80009	214-3379-00
-25	211-0661-00			2	.SCR,ASSEM WSHR:4-40 X 0.25,PNH,STL,POZ (END ATTACHING PARTS)	01536	821-01655-024
-26	-----			2	.MICROCIRCUIT:(SEE A07U471,U472 REPL) (ATTACHING PARTS)		
-27	210-0551-00	B010100	B079999	3	.NUT,PLAIN,HEX:4-40 X 0.25,ST CD PL	TK0435	ORDER BY DESCR
	210-0406-00	B080000		3	.NUT,PLAIN,HEX:4-40 X 0.188,BRS CD PL	73743	12161-50
-28	210-1178-00			3	.WASHER,SHLDR: (END ATTACHING PARTS)	13103	7721-7PPS
-29	-----			1	.DIODE:(SEE A07CR461 REPL) (ATTACHING PARTS)		
-30	210-0551-00	B010100	B079999	1	.NUT,PLAIN,HEX:4-40 X 0.25,ST CD PL	TK0435	ORDER BY DESCR
	210-0406-00	B080000		1	.NUT,PLAIN,HEX:4-40 X 0.188,BRS CD PL	73743	12161-50
-31	210-1178-00			1	.WASHER,SHLDR: (END ATTACHING PARTS)	13103	7721-7PPS
-32	-----			2	.TRANSISTOR:(SEE A07Q461,Q471 REPL) (ATTACHING PARTS)		
-33	210-0551-00	B010100	B079999	2	.NUT,PLAIN,HEX:4-40 X 0.25,ST CD PL	TK0435	ORDER BY DESCR
	210-0406-00	B080000		2	.NUT,PLAIN,HEX:4-40 X 0.188,BRS CD PL	73743	12161-50
-34	210-1178-00			2	.WASHER,SHLDR: (END ATTACHING PARTS)	13103	7721-7PPS
-35	-----			2	.DIODE:(SEE A07CR445,CR451 REPL) (ATTACHING PARTS)		
-36	210-0551-00	B010100	B079999	2	.NUT,PLAIN,HEX:4-40 X 0.25,ST CD PL	TK0435	ORDER BY DESCR
	210-0406-00	B080000		2	.NUT,PLAIN,HEX:4-40 X 0.188,BRS CD PL	73743	12161-50
-37	210-1122-00			2	.WASHER,LOCK:0.12 ID,DISHED,0.025 THK,STL (END ATTACHING PARTS)	86928	ORDER BY DESCR
-38	342-0613-00			1	.INSULATOR,FILM:TRANSISTORS,MICA	80009	342-0613-00
	342-0202-00	B090667		1	.INSULATOR,PLATE:TRANSISTOR,MICA	91500	10-21-023-106
-39	200-2269-00			1	.COVER,XSTR: (ATTACHING PARTS)	80009	200-2269-00
-40	211-0512-00			2	.SCREW,MACHINE:6-32 X 0.5,FLH,100 DEG,STL (END ATTACHING PARTS)	TK0435	ORDER BY DESCR
-41	342-0458-00			1	.INSULATOR,PLATE:TRANSISTOR,MICA	86928	ORDER BY DESCR

Fig. & Index No.	Tektronix Part No.	Serial/Assembly No.		Qty	12345 Name & Description	Mfr.	
		Effective	Dscont			Code	Mfr. Part No.
3-42	342-0449-01			1	.INSULATOR, PLATE: TRANSISTOR, ALUMINA	80009	342-0449-01
-43	-----			11	.TERM, PIN: (SEE A07J145, J181, J444, J481 REPL)		
-44	-----			5	.COIL/TRANS: (SEE A07L151, L351, L445, L451, T261 REPL) (ATTACHING PARTS)		
-45	210-0586-00			5	.NUT, PL, ASSEM WA: 4-40 X 0.25, STL CD PL	78189	211-041800-00
-46	352-0725-00			8	.HOLDER, TOROID: PLASTIC	80009	352-0725-00
-47	211-0021-00			1	.SCREW, MACHINE: 4-40 X 1.25, PNH, STL	TK0435	ORDER BY DESCR
-48	211-0020-00			4	.SCREW, MACHINE: 4-40 X 1.25, PNH, STL (END ATTACHING PARTS)	TK0435	ORDER BY DESCR
-49	352-0086-00			1	.HOLDER, TOROID: 0.5 DIA, DELRIN	80009	352-0086-00
-50	-----			13	.TERM, TEST POINT: (SEE A07TP161, TP162, TP171, TP172, TP173, TP181, TP182, TP183, TP184, TP185, TP411, TP421, TP422 REPL)		
-51	-----			1	.RES, FXD, Ww: (SEE A07R245 REPL) (ATTACHING PARTS)		
-52	211-0529-00			1	.SCREW, MACHINE: 6-32 X 1.250, PNH, STL	TK0435	ORDER BY DESCR
-53	210-0601-00			1	.EYELET, METALLIC: 0.183 OD X 0.192 L, BRASS (END ATTACHING PARTS)	18680	77362
-54	210-0478-00			1	.SPACER, POST: 0.66 L W/6-32 THD THRU, AL, HEX .ONE END, ROUND OTHER (ATTACHING PARTS)	80009	210-0478-00
-55	211-0658-00			1	.SCR, ASSEM WSHR: 6-32 X 0.312, PNH, STL, POZ (END ATTACHING PARTS)	78189	S51-060545-0X
-56	-----			1	.BUS, CONDUCTOR: (SEE A07P444 REPL)		
-57	131-2978-00	B010100	B069999	4	.HDR SKT, FLEXSTR:	80009	131-2978-00
	-----	B070000	B079999	4	.CONN, RCPT, ELEC: (SEE A07J100, J110, J120, J130 REPL)		
-58	204-0906-00			1	.BODY, FUSEHOLDER: 3AG & 5 X 20MM FUSES	S3629	TYPEFAU031.3573
-59	-----			1	.CONN, RCPT, ELEC: (SEE A07J301 REPL) (ATTACHING PARTS)		
-60	210-0586-00			2	.NUT, PL, ASSEM WA: 4-40 X 0.25, STL CD PL	78189	211-041800-00
-61	211-0244-00			2	.SCR, ASSEM WSHR: 4-40 X 0.312, PNH STL (END ATTACHING PARTS)	TK0858	211-0244-00
-62	343-0549-00			4	.STRAP, TIEDOWN, E: 0.091 W X 4.0 L, ZYTEL	06383	PLT1M
-63	200-2264-00			1	CAP, FUSEHOLDER: 3AG FUSES (STANDARD ONLY)	S3629	FEK 031 1666
	200-2265-00	B010100	B079999	1	CAP, FUSEHOLDER: 5 X 20MM FUSES (OPTIONS A1, A2, A3, A4 & A5 ONLY)	TK0861	FEK 031.1663
	200-2264-00	B080000		1	CAP, FUSEHOLDER: 3AG FUSES (OPTIONS A1, A2, A3, A4 & A5 ONLY)	S3629	FEK 031 1666
-64	343-0401-00			1	RETAINER, CABLE: PLASTIC	06915	KKU-4
-65	337-3097-00			1	SHIELD, ELEC: YOKE (ATTACHING PARTS)	80009	337-3097-00
-66	210-0586-00			2	NUT, PL, ASSEM WA: 4-40 X 0.25, STL CD PL	78189	211-041800-00
-67	211-0661-00			3	SCR, ASSEM WSHR: 4-40 X 0.25, PNH, STL, POZ (END ATTACHING PARTS)	01536	821-01655-024
-68	-----			1	CKT BOARD ASSY: TRIGGER (SEE A14 REPL)		
-69	214-1337-00			2	.PIN, SPRING: 0.25 L X 0.103 OD, STL CD PL	000BK	ORDER BY DESCR
-70	105-0160-04			2	.EJECTOR, CKT BD: YELLOW PLASTIC	80009	105-0160-04
-71	131-0608-00			96	.TERMINAL, PIN: 0.365 L X 0.025 BRZ GLD PL	22526	48283-036
-72	131-2221-00			1	.CONN, RCPT, ELEC: CKT BD, 50 CONT, MALE	22526	65626-150
-73	-----			1	CKT BOARD ASSY: DISPLAY (SEE A11 REPL)		
-74	214-1337-00			2	.PIN, SPRING: 0.25 L X 0.103 OD, STL CD PL	000BK	ORDER BY DESCR
-75	105-0160-04			2	.EJECTOR, CKT BD: YELLOW PLASTIC	80009	105-0160-04
-76	131-1425-00			1	.CONN, RCPT, ELEC: RTANG HEADER, 1 X 36, 0.1 SP	22526	65521-136
-77	131-0608-00			230	.TERMINAL, PIN: 0.365 L X 0.025 BRZ GLD PL	22526	48283-036
-78	131-0993-00			3	.BUS, CONDUCTOR: SHUNT ASSEMBLY, BLACK	22526	65474-005
-79	131-1857-00			1	.TERM SET, PIN: 36/0.025 SQ PIN, ON 0.1 CTRS	TK1483	082-3643-SS10
-80	-----			1	CKT BD ASSY: I/O PROCESSOR (SEE A10 REPL)		
-81	214-1337-00			2	.PIN, SPRING: 0.25 L X 0.103 OD, STL CD PL	000BK	ORDER BY DESCR
-82	105-0160-04			2	.EJECTOR, CKT BD: YELLOW PLASTIC	80009	105-0160-04
-83	136-0757-00			1	.SKT, PL-IN ELEK: MICROCIRCUIT, 40 DIP	09922	D1LB40P-108
-84	214-0579-00			14	.TERM, TEST POINT: BRS CD PL	80009	214-0579-00
-85	131-0993-00			1	.BUS, CONDUCTOR: SHUNT ASSEMBLY, BLACK	22526	65474-005
-86	131-0608-00			41	.TERMINAL, PIN: 0.365 L X 0.025 BRZ GLD PL	22526	48283-036
-87	136-0729-00			1	.SKT, PL-IN ELEK: MICROCKT, 16 CONTACT	09922	D1LB16P-108T

Replaceable Mechanical Parts
1240 Service Vol.11

Fig. & Index No.	Tektronix Part No.	Serial/Assembly No. Effective Dscnt	Qty	12345 Name & Description	Mfr. Code	Mfr. Part No.
3-88	136-0755-00		8	.SKT, PL-IN ELEK:MICROCIRCUIT,28 DIP	09922	DILB28P-108
-89	-----		1	CKT BD ASSY:CONT PROCESSOR(SEE A09 REPL)		
-90	214-1337-00		2	.PIN, SPRING:0.25 L X 0.103 OD, STL CD PL	000BK	ORDER BY DESCR
-91	105-0160-04		2	.EJECTOR, CKT BD:YELLOW PLASTIC	80009	105-0160-04
-92	136-0757-00		1	.SKT, PL-IN ELEK:MICROCIRCUIT,40 DIP	09922	DILB40P-108
-93	136-0755-00		6	.SKT, PL-IN ELEK:MICROCIRCUIT,28 DIP	09922	DILB28P-108
-94	136-0729-00		1	.SKT, PL-IN ELEK:MICROCKT,16 CONTACT	09922	DILB16P-108T
-95	131-0608-00		38	.TERMINAL, PIN:0.365 L X 0.025 BRZ GLD PL	22526	48283-036
-96	131-2849-00		1	.CONN, RCPT, ELEC:EDGE CARD, RTANG, 2 X 18, 0.1 (ATTACHING PARTS)	31781	345-036-559-212
-97	211-0016-00		2	.SCREW, MACHINE:4-40 X 0.625, PNH, STL (END ATTACHING PARTS)	TK0435	ORDER BY DESCR
-98	351-0695-00		1	.GUIDE, ROM PACK:POLYCARBONATE, TEK BLACK	80009	351-0695-00
-99	-----		1	GUIDE, ROM PACK:POLYCARBONATE, TEK BLACK (ATTACHING PARTS)		
-100	211-0661-00		4	SCR, ASSEM WSHR:4-40 X 0.25, PNH, STL, POZ (END ATTACHING PARTS) CKT BOARD ASSY INCLUDES:	01536	821-01655-024
-101	-----		2	.CONN, RCPT, ELEC:(SEE A08J630, J746 REPL)		
-102	-----		1	.TERM. SET, PIN:(SEE A08J658 REPL)		
-103	-----		4	.CA ASSY, SP, ELEC:(SEE A08W100, W110, W120, W130 REPL)		
-104	-----		8	.CONN, RCPT, ELEC:(SEE A08J150, J250, J350, J450, J550, J650, J750, J850 REPL)		
	131-1614-00		2	.CONN, RCPT, ELEC:CKT BD, 1 X 36, 0.1 SPACING	08261	800-380-000



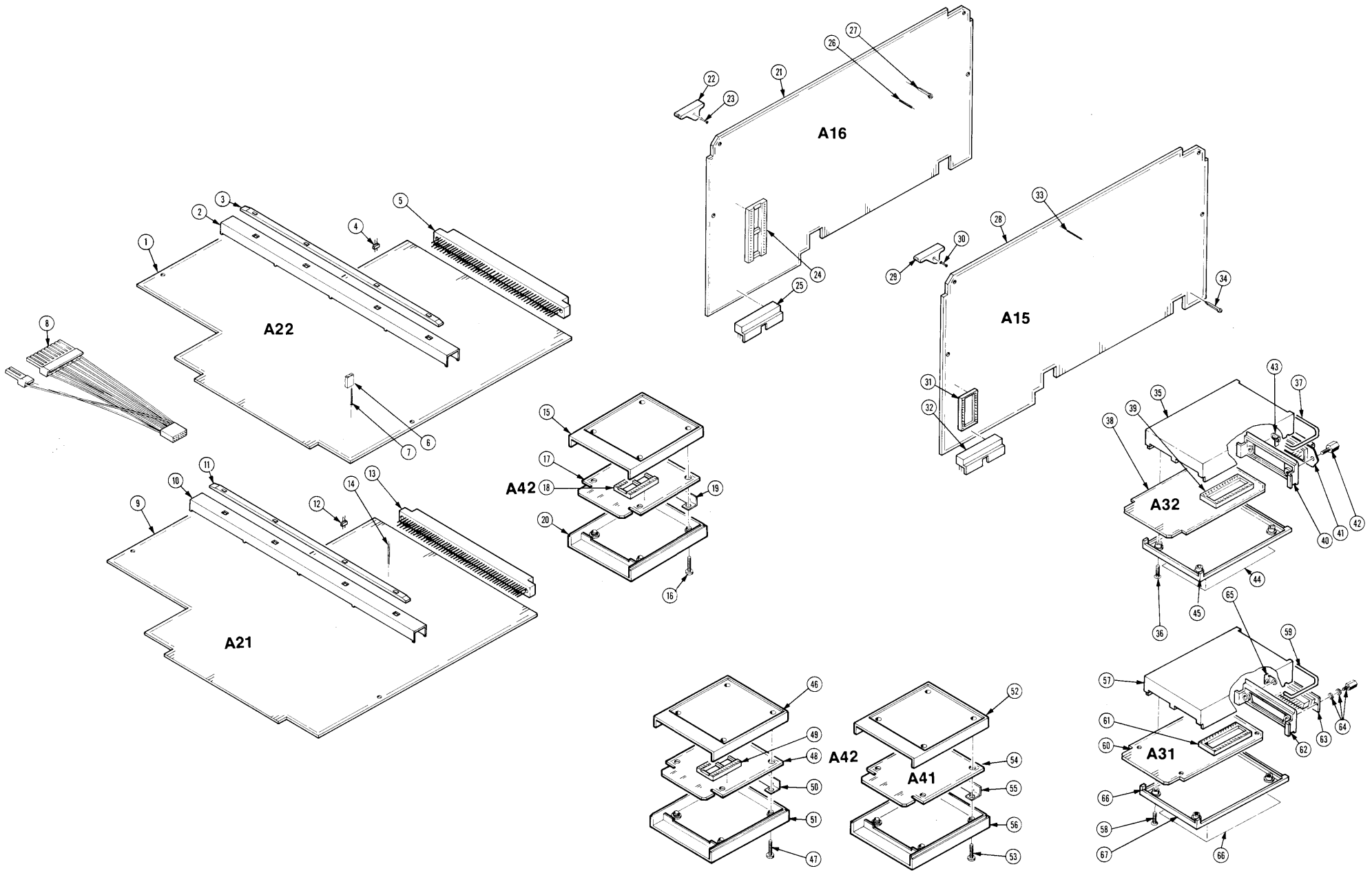


Fig. & Index No.	Tektronix Part No.	Serial/Assembly No.		Qty	12345	Name & Description	Mfr. Code	Mfr. Part No.
		Effective	Dscont					
4-	067-1103-02			1		FIXTURE,CAL:SERVICE KIT	80009	067-1103-02
-1	-----			1		.CKT BOARD ASSY:EXTENDER(SEE A22 REPL)		
-2	386-4950-00			1		..STIF,CIRCUIT BD:10.025 L,BRASS	80009	386-4950-00
-3	351-0058-00			1		...SLIDE,GUIDE:PLUG-IN	80009	351-0058-00
-4	131-2401-00			3		..CONN,RCPT,ELEC:2 X 25,MALE	TK1483	082-2543-SD10
-5	131-1263-00			1		..CONN,RCPT,ELEC:EDGE CARD,50/100 CONT	05574	600201-3208
-6	131-0993-00			4		..BUS,CONDUCTOR:SHUNT ASSEMBLY,BLACK	22526	65474-005
-7	131-0608-00			21		..TERMINAL,PIN:0.365 L X 0.025 BRZ GLD PL	22526	48283-036
-8	012-0556-00			2		..LEAD SET,ELEC:DIAGNOSTIC	TK1148	ASI 61500 REV A
-9	-----			1		.CKT BOARD ASSY:EXTENDER(SEE A21 REPL)		
-10	386-4950-00			1		..STIF,CIRCUIT BD:10.025 L,BRASS	80009	386-4950-00
-11	351-0058-00			1		...SLIDE,GUIDE:PLUG-IN	80009	351-0058-00
-12	131-1263-00			1		..CONN,RCPT,ELEC:EDGE CARD,50/100 CONT	05574	600201-3208
-13	131-2401-00			1		..CONN,RCPT,ELEC:2 X 25,MALE	TK1483	082-2543-SD10
-14	131-0608-00			12		..TERMINAL,PIN:0.365 L X 0.025 BRZ GLD PL	22526	48283-036
						12RD01		
				1		.COMPONENT KIT:DIAGNOSTIC ROM PACK		
-15	200-2503-01			1		..COVER,ROM PACK:TOP,ABS,SMOKE TAN ..(ATTACHING PARTS)	80009	200-2503-01
-16	211-0012-00			4		..SCREW,MACHINE:4-40 X 0.375,PNH,STL ..(END ATTACHING PARTS)	TK0435	ORDER BY DESCR
-17	-----			1		.CKT BOARD ASSY:32K ROM PACK(SEE A42 REPL)		
-18	136-0751-00			4		...SKT,PL-IN ELEK:MICROCKT,24 PIN	09922	DILB24P108
-19	337-3122-00			1		..SHIELD,ELEC:STATIC	80009	337-3122-00
-20	200-2504-01			1		..COVER,ROM PACK:BOTTOM,ABS,SMOKE TAN	80009	200-2504-01
						D2		
				1		.DISPLAY UNIT:NON-STORAGE		
-21	-----			1		.CKT BRD ASSY:18 CH.ACQ(A16 REPL)		
-22	105-0160-04			2		..EJECTOR,CKT BD:YELLOW PLASTIC	80009	105-0160-04
-23	214-1337-00			2		..PIN,SPRING:0.25 L X 0.103 OD,STL CD PL	000BK	ORDER BY DESCR
-24	136-0757-00			3		..SKT,PL-IN ELEK:MICROCIRCUIT,40 DIP	09922	DILB40P-108
-25	131-2567-00			2		..CONN,RCPT,ELEC:CKT BD,RTANG,17/34 CONT	22526	65461-006
-26	131-0608-00			50		..TERMINAL,PIN:0.365 L X 0.025 BRZ GLD PL	22526	48283-036
-27	214-0579-00			3		..TERM,TEST PT:(SEE A15TP185,TP250,	80009	214-0579-00
	010-6460-01			2		..PROBE,DATA ACQ: .(SEE 070-4345-00 MANUAL FOR PARTS BRKDN)	80009	010-6460-01
						D1		
				1		.STOR DSPL UNIT:		
-28	-----			1		.CKT BRD ASSY:9 CH.ACQ(A15 REPL)		
-29	105-0160-04			2		..EJECTOR,CKT BD:YELLOW PLASTIC	80009	105-0160-04
-30	214-1337-00			2		..PIN,SPRING:0.25 L X 0.103 OD,STL CD PL	000BK	ORDER BY DESCR
-31	136-0751-00			3		..SKT,PL-IN ELEK:MICROCKT,24 PIN	09922	DILB24P108
-32	131-2567-00			1		..CONN,RCPT,ELEC:CKT BD,RTANG,17/34 CONT	22526	65461-006
-33	131-0608-00			54		..TERMINAL,PIN:0.365 L X 0.025 BRZ GLD PL	22526	48283-036
-34	-----			5		..TERM,TEST PT:(SEE A15TP185,TP250, ..TP291,TP325,TP665 REPL)		
	010-6460-01			1		..PROBE,DATA ACQ: .(SEE 070-4345-00 MANUAL FOR PARTS BRKDN)	80009	010-6460-01
						C02		
				1		.GPIB COMM PACK:		
-35	380-0343-09			1		.HSG HALF,ROM PK:INNER,ABS ..(ATTACHING PARTS)	80009	380-0343-09
-36	211-0102-00			4		..SCREW,MACHINE:4-40 X 0.5,FLH,100 DEG,STL ..(END ATTACHING PARTS)	TK0435	ORDER BY DESCR
-37	367-0328-00			1		.HANDLE,BOW:2.9 L,SST	80009	367-0328-00
-38	-----			1		.CKT BOARD ASSY:GPIB(SEE A32 REPL)		
-39	136-0755-00			1		..SKT,PL-IN ELEK:MICROCIRCUIT,28 DIP	09922	DILB28P-108
-40	386-4972-00			1		..PLATE,MOUNTING:GPIB	80009	386-4972-00
-41	131-2895-00			1		..CONN,RCPT,ELEC:CKT BD,RTANG,24 CONTACT	02660	57-92248-12-02
-42	214-2871-00			1		..HARDWARE KIT:STANDOFF ,STUD MOUNT W/NUT	00779	552633-1
-43	131-0099-00			1		..CONTACT,ELEC:PHOSPHOR BRONZE,CU-SN-ZN	80009	131-0099-00
-44	334-4879-00	B010100	B020499	1		.MARKER,IDENT:MKD GPIB COMM PACK	80009	334-4879-00
	334-4879-01	B020500		1		.MARKER,IDENT:MKD GPIB COMPACK	80009	334-4879-01
-45	380-0384-04			1		.HSG HALF,ROM PK:LID,ABS	80009	380-0384-04

Replaceable Mechanical Parts
1240 Service Vol.11

Fig. & Index No.	Tektronix Part No.	Serial/Assembly No. Effective Dscort	Qty	12345 Name & Description	Mfr. Code	Mfr. Part No.
4-	-----		1	ACCESSORY PKG:32K EMPTY ROM PACK (12RS11)		
	-----		1	ACCESSORY PKG:32K ROM PACK (12RS12)		
-46	200-2503-01		2	.COVER,ROM PACK:TOP,ABS,SMOKE TAN (ATTACHING PARTS)	80009	200-2503-01
-47	211-0012-00		8	.SCREW,MACHINE:4-40 X 0.375,PNH,STL (END ATTACHING PARTS)	TK0435	ORDER BY DESCR
-48	-----		2	.CKT BOARD ASSY:32K ROM PACK(SEE A42 REPL)		
-49	136-0751-00		8	..SKT,PL-IN ELEK:MICROCKT,24 PIN	09922	DILB24P108
-50	337-3122-00		2	.SHIELD,ELEC:STATIC	80009	337-3122-00
-51	200-2504-01		2	.COVER,ROM PACK:BOTTOM,ABS,SMOKE TAN	80009	200-2504-01
				12RS01		
	-----		1	ACCESSORY PKG:8K RAM PACK		
-52	200-2503-01		1	.COVER,ROM PACK:TOP,ABS,SMOKE TAN (ATTACHING PARTS)	80009	200-2503-01
-53	211-0012-00		4	.SCREW,MACHINE:4-40 X 0.375,PNH,STL (END ATTACHING PARTS)	TK0435	ORDER BY DESCR
-54	-----		1	.CKT BOARD ASSY:8K RAM PACK(SE A41 REPL)		
-55	337-3122-00		1	.SHIELD,ELEC:STATIC	80009	337-3122-00
-56	200-2504-01		1	.COVER,ROM PACK:BOTTOM,ABS,SMOKE TAN	80009	200-2504-01
				C01		
	-----		1	RS232 COMM PACK:		
-57	380-0343-09		1	.HSG HALF,ROM PK:INNER,ABS (ATTACHING PARTS)	80009	380-0343-09
-58	211-0102-00		4	.SCREW,MACHINE:4-40 X 0.5,FLH,100 DEG,STL (END ATTACHING PARTS)	TK0435	ORDER BY DESCR
-59	367-0328-00		1	.HANDLE,BOW:2.9 L,SST	80009	367-0328-00
-60	-----		1	.CKT BD ASSY:RS232 COMM PACK(SEE A31 REPL)		
-61	136-0755-00		1	..SKT,PL-IN ELEK:MICROCIRCUIT,28 DIP	09922	DILB28P-108
-62	386-4972-01		1	..PLATE,MOUNTING:RS232	80009	386-4972-01
-63	131-2897-00		1	..CONN,RCPT,ELEC:D SUBMINIATURE,25 MALE	00779	747023--1
-64	131-0890-00		2	..LOCK,CONNECTOR:4-40 X 0.312 L HEX HD,STL	71468	D 20418-2
-65	131-0099-00		1	..CONTACT,ELEC:PHOSPHOR BRONZE,CU-SN-ZN	80009	131-0099-00
-66	334-4877-00		1	.MARKER,IDENT:MKD RS232 COMM PACK	80009	334-4877-00
-67	380-0384-03		1	.HSG HALF,ROM PK:LID,ABS	80009	380-0384-03

Fig. & Index No.	Tektronix Part No.	Serial/Assembly No. Effective Dscort	Qty	12345 Name & Description	Mfr. Code	Mfr. Part No.
5-				STANDARD ACCESSORIES		
-1	200-2780-00		1	COVER,FRONT PNL:	80009	200-2780-00
-2	016-0707-00		1	CASE,CARRYING:MANUALS	80009	016-0707-00
-3	161-0104-00		1	CABLE ASSY,PWR,:3 WIRE,98.0 L,W/RTANG CONN (STANDARD ONLY)	16428	CH8352, FH-8352
-4	161-0104-06		1	CABLE ASSY,PWR,:3 X 0.75MM SQ,220V,98.0 L (OPTION A1 EUROPEAN)	S3109	ORDER BY DESCR
-5	161-0104-07		1	CABLE ASSY,PWR,:3 X 0.75MM SQ,240V,98.0 L (OPTION A2 UNITED KINGDOM)	TK1373	A25UK-RA
-6	161-0104-05		1	CABLE ASSY,PWR,:3,18 AWG,240V,98.0 L (OPTION A3 AUSTRALIAN)	S3109	ORDER BY DESCR
-7	161-0104-08		1	CABLE ASSY,PWR,:3,18 AWG,240V,98.0 L (OPTION A4 NORTH AMERICAN)	70903	ORDER BY DESCR
-8	161-0154-00		1	CABLE ASSY,PWR,:3,0.75MM SQ,240V,6A,2.5M L (OPTION A5 SWISS)	S3109	86515000
-9	012-0556-00		2	LEAD SET,ELEC:DIAGNOSTIC	TK1148	ASI 61500 REV A
	070-4340-01		1	MANUAL,TECH:OPERATORS,1240/1241	80009	070-4340-01
	070-4641-01		5	MANUAL,TECH:OPERATORS REFERENCE GUIDE,	80009	070-4641-01
				OPTIONAL ACCESSORIES		
	062-6927-00		1	BINDER:1240 OPERATORS ACCESSORIES PACKAGE	80009	062-6927-00
	062-6926-00	B040313	1	MANUAL,TECH:1240 SEMINAR WORKBOOK	80009	062-6926-00
	062-7124-02		1	MANUAL,TECH:SERVICE,1240/1241 (067-1103-02 ONLY)	80009	062-7124-02
	070-1308-01		1	SHEET,TECHNICAL: INSTR,1240 (670-7539-XX,670-8567-XX ONLY)	80009	070-1308-01
	070-4804-00		1	MANUAL,TECH:SERVICE,1200C11	80009	070-4804-00
	070-4982-00		1	MANUAL,TECH:SVCE,1240	80009	070-4982-00
	070-4342-01		1	MANUAL,TECH:SERVICE,1240/41	80009	070-4342-01
	070-4717-01		1	MANUAL,TECH:SERVICE,1240/41	80009	070-4717-01
	070-4343-00		1	MANUAL,TECH: INSTR,1200C01 (C01 ONLY)	80009	070-4343-00
	070-4344-00		1	MANUAL,TECH: INSTR,1200C02 (C02 ONLY)	80009	070-4344-00
	070-4347-01		1	MANUAL,TECH: INSTR,12RS01 (12RS01 ONLY)	80009	070-4347-01
	070-4353-02		1	MANUAL,TECH: INSTR,1240 (067-1103-02 ONLY)	80009	070-4353-02
	070-4594-00		1	MANUAL,TECH: INSTR,1240 (D1 ONLY)	80009	070-4594-00
	070-4595-00		1	MANUAL,TECH: INSTR,1240 (D2 ONLY)	80009	070-4595-00
	070-4602-01		1	MANUAL,TECH: INSTR,12RD01 (12RD01 ONLY)	80009	070-4602-01
	070-4675-00		1	MANUAL,TECH: INSTR,012-0556-00 (021-0556-00 ONLY)	80009	070-4675-00
	070-5378-00		1	MANUAL,TECH:SERVICE,1241 (1241 ONLY)	80009	070-5378-00

