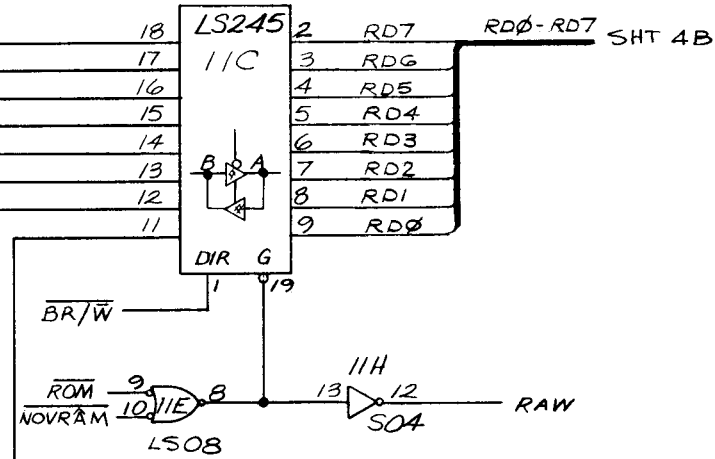
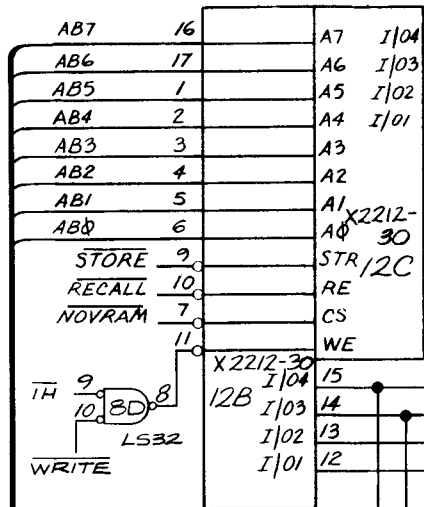
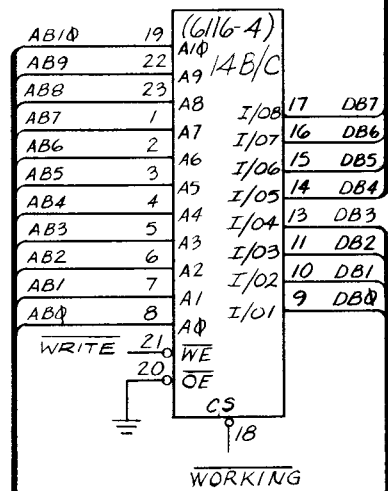


SHT 4B DB4-DB7

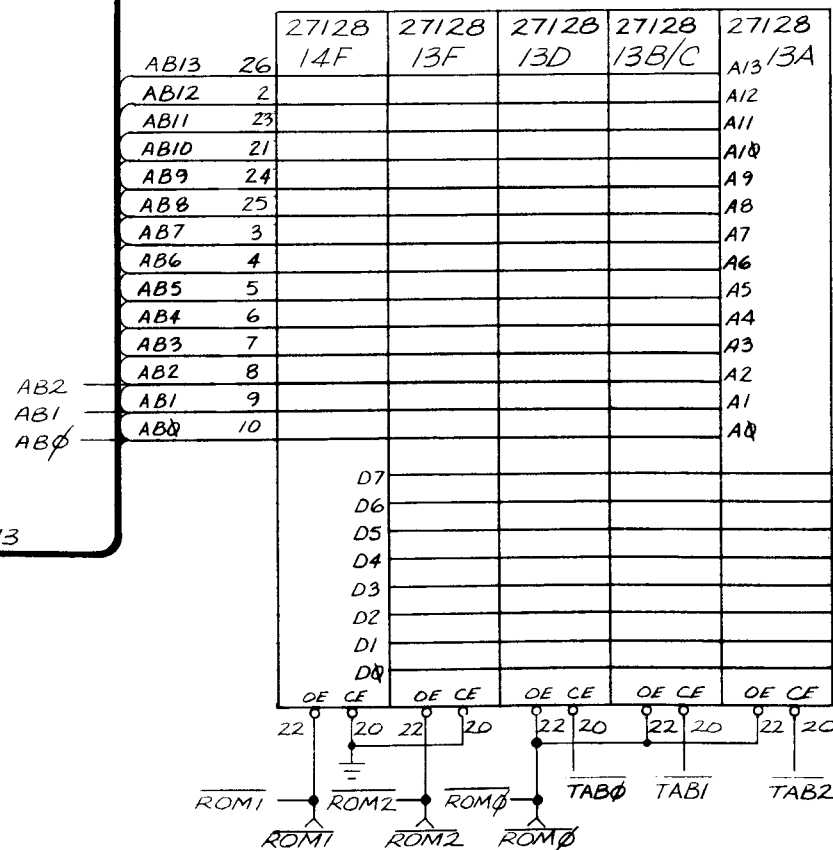
DB1-DB7 SHT 5B

Program RAM



SHT 4B DB0-DB3

DB4-DB3 SHT 5B



SHT 4B AB0-AB13

Program ROM

NOTICE TO ALL PERSONS RECEIVING THIS DRAWING
 CONFIDENTIAL: Reproduction forbidden without the specific written permission of Atari, Inc., Sunnyvale, CA. This drawing is only conditionally issued, and neither receipt nor possession thereof confers or transfers any right in, or license to use, the subject matter of the drawing or any design or technical information shown thereon, nor any right to reproduce this drawing or any part thereof. Except for manufacture by vendors of Atari, Inc., and for manufacture under the corporation's written license, no right is granted to reproduce this drawing or the subject matter thereof, unless by written agreement with or written permission from the corporation.

JEDI Game PCB Schematic

SP-227 Sheet 5A
 1st printing

© ATARI INC. 1984
 A Warner Communications Company