

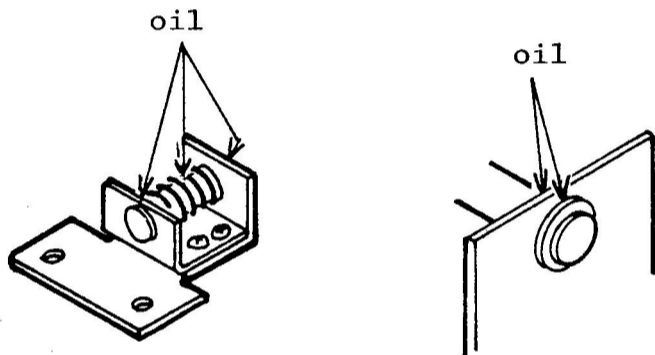
CAUTIONS

1. Turn the power off before exchanging and removing the P.C.Board and connectors.
2. Do not touch IC, LSI and other electronic parts on P.C.Boards. Do not use a tester or the like on them.
3. P.C.Board to be stored or transported should be wrapped by a conductive pouch or aluminum foil.
4. P.C.Board should not be exposed direct to the sun.
5. When soldering, use soldering iron of which end is grounded.

OILING

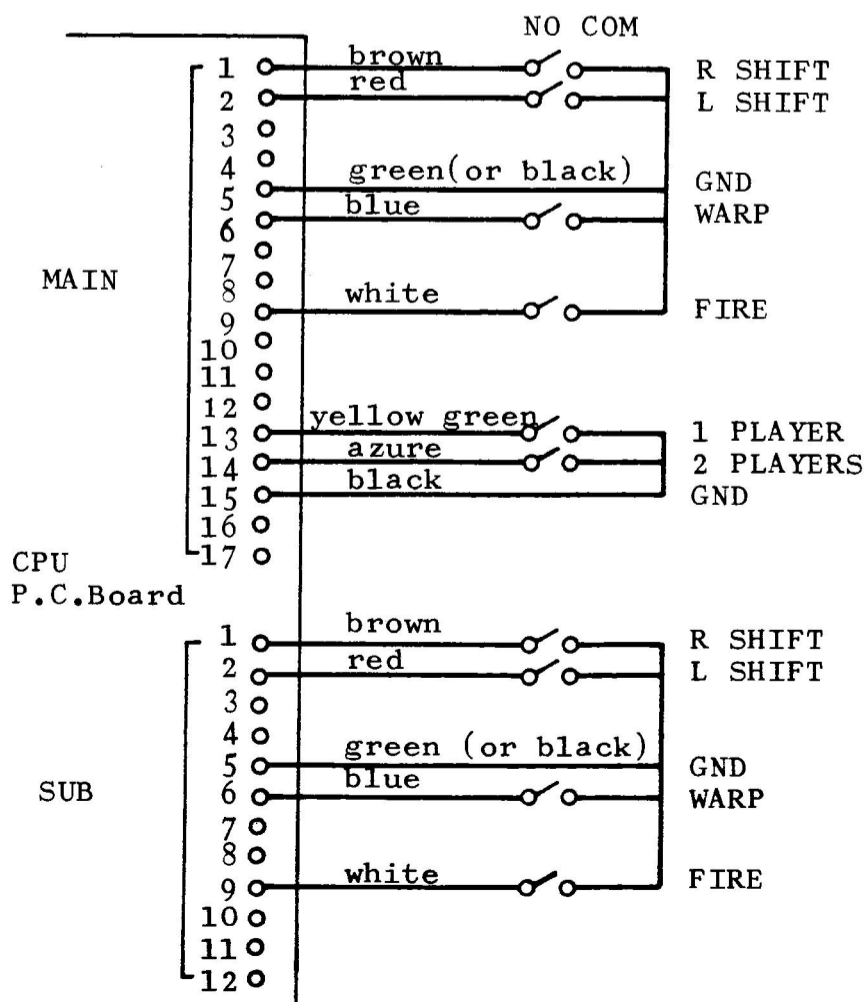
Add oil to the following part of the control box when control lever is not smooth in operation.

(Use silicon grease "SILICOLUBE G-31L".)



WIRING

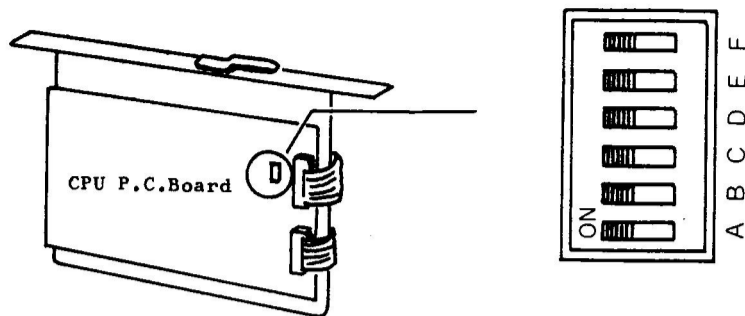
(Control Box)



TST

ADJUSTMENTS

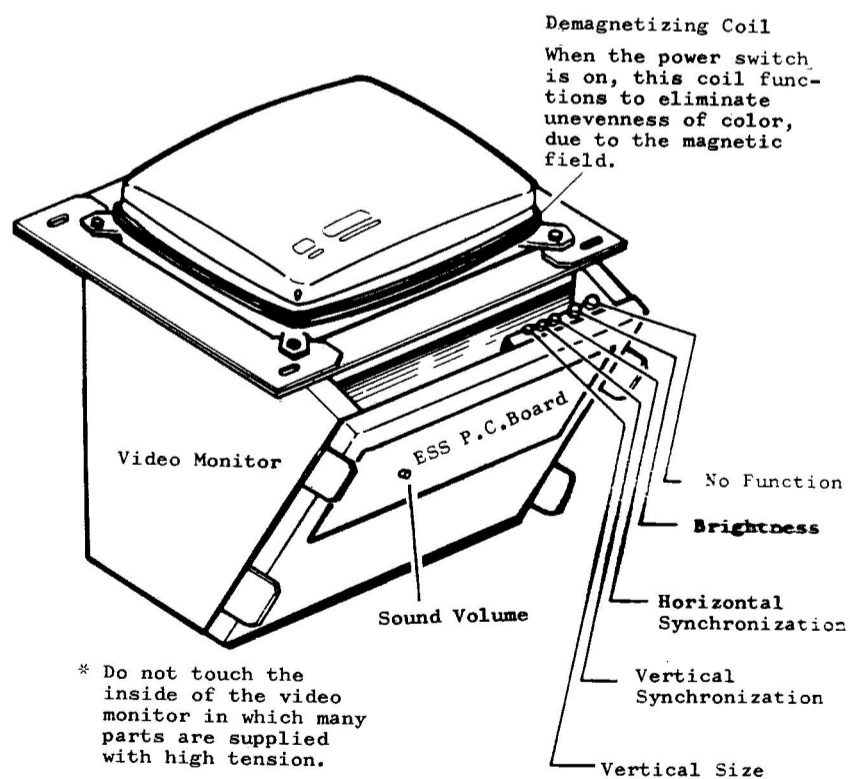
1. Number of space ship, coinage, score level and type.



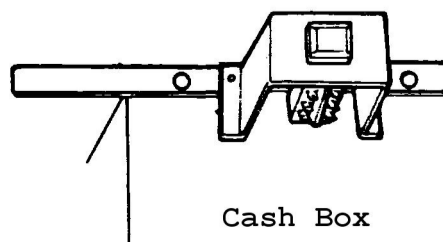
Operate change-over switch after discontinuing power.

	A	B	C	D	E	F
Number of space ship						
3	ON	ON				
4	OFF	ON				
5	ON	OFF				
6	OFF	OFF				
Coinage						
1 coin / 1 play			ON	ON		
2 coins / 1 play			OFF	ON		
1 coin / 2 plays			OFF	OFF		
USA						
3 coins / 1 play			ON	OFF		
Other territories						
1 coin / 3 plays			ON	OFF		
Score level for extra space ship						
5,000 points					ON	
8,000 points					OFF	
Table / Up-Right						
Table						ON
Up-Right						OFF

2. Video Monitor and ESS P.C.Board



3. Service Switch



* The service switch is used for adjustment. When this switch is depressed, game can be played while the game counter does not work.

TST