



Service Bulletin #24

To: Service Manager
 From: Data East Pinball Service
 Date: March 22, 1990
 Subject: Weak Ball Trough Ejects

Symptom: The ball is ejected into the shooter lane with very little strength. Sometimes it will not make it into the shooter lane.

Problem: The ball trough eject cam is not striking the ball in ball center or the cam shock absorbing spring is too weak.

Solution: Lift the playfield and examine the point at which the ball is being struck by the cam. If it is not striking the ball in its center, bend the cam by hand until it does. Play a game to see if the ball trough eject is working properly. (It should push a ball with enough force to cause it to strike the right side shooter lane wood rail.) If it does not, do the following:

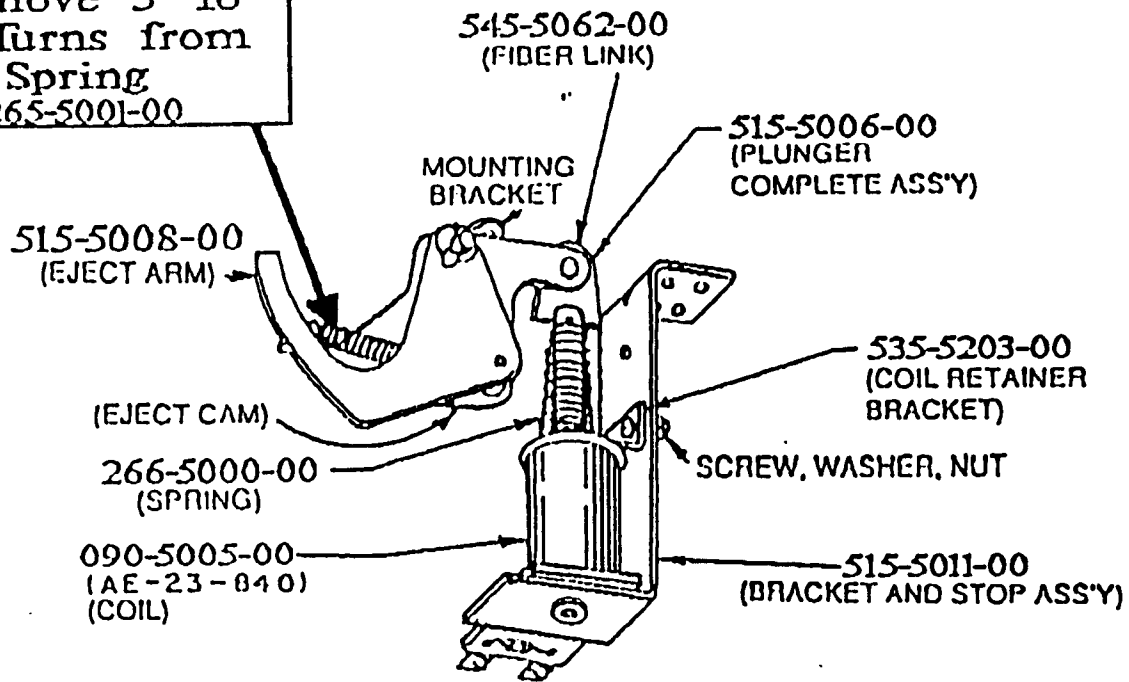
- With a needle nose pliers, remove the spring from the stud as indicated in the diagram.
- Using your needle nose pliers put one tip of the pliers down the throat of the spring between 5-8 turns and bend the spring at that point 90 degrees.
- With a pair of side cutters, remove the bent over turns leaving one loop to reattach the spring to the stud with.
- Using the needle nose pliers reattach the spring to the stud being careful not to stretch the spring out of its shape.

If you require further assistance regarding this modification please call Pete or Arnie at 1-800-542-5377.
 (In Illinois call 1-708-345-7700)

Pete & Arnie

Pete and Arnie
 Field Service Department
 Data East Pinball, Inc.

Remove 5 To
10 Turns from
Spring
265-5001-00



500-5012-00 BALL FEED ASSY