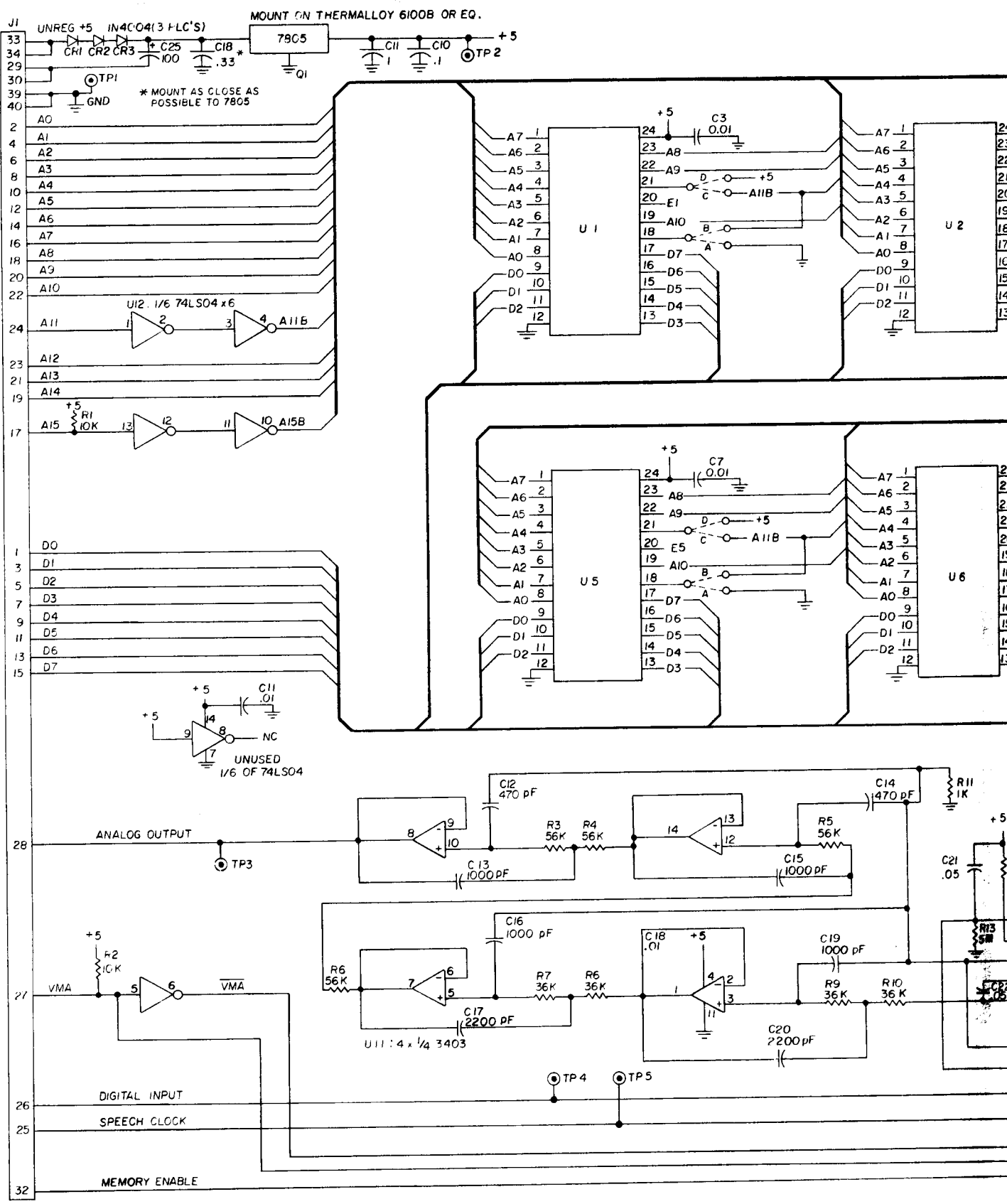
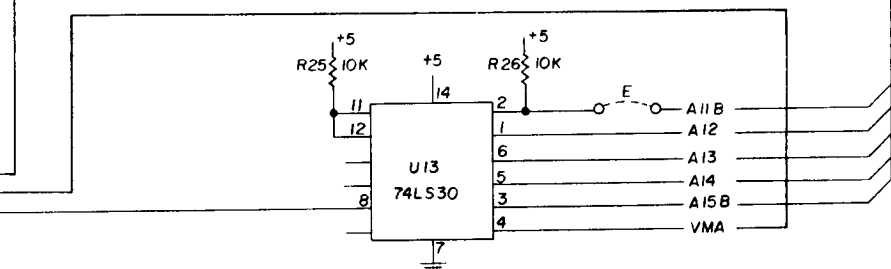
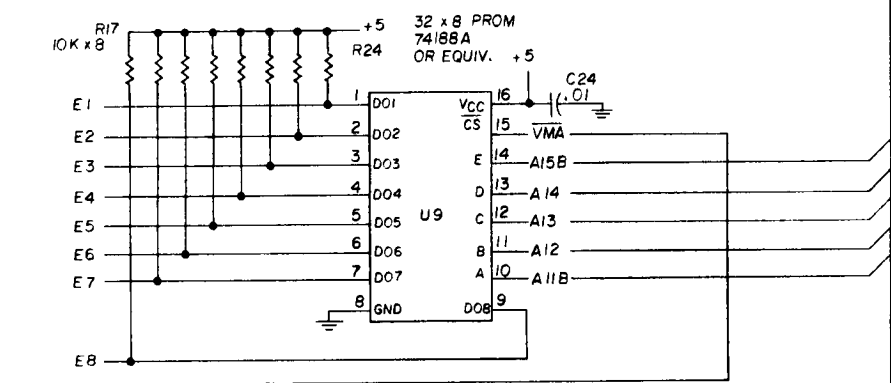
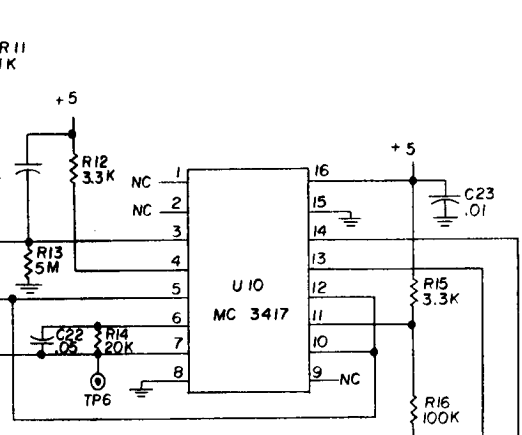
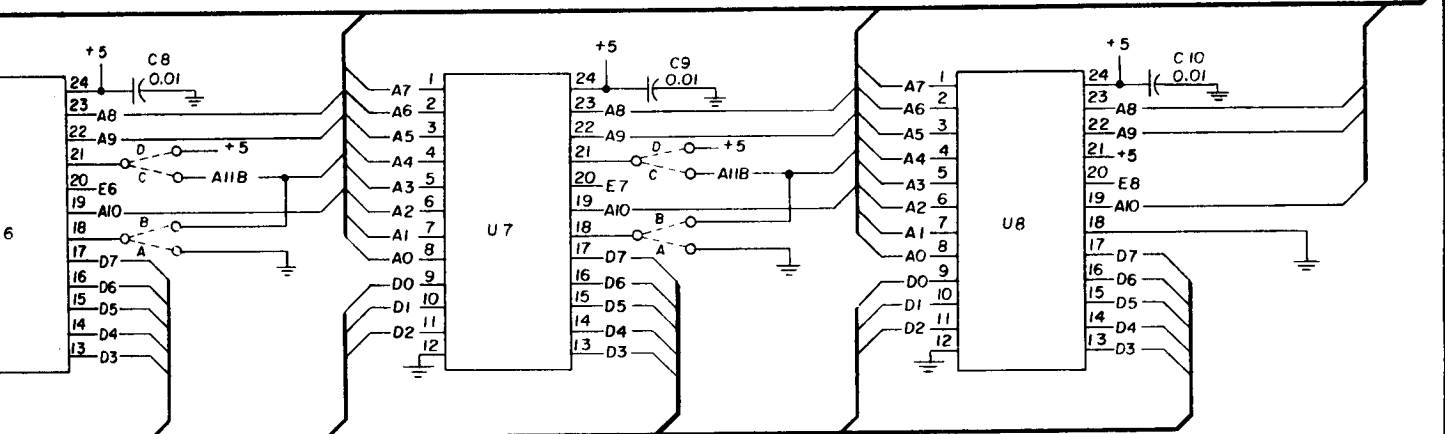
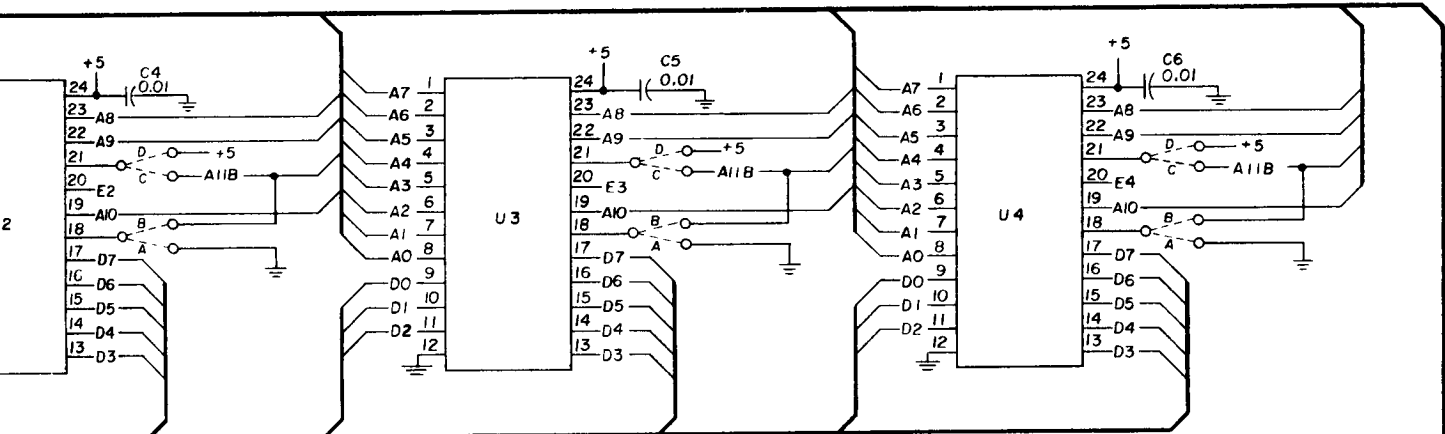


TO SOUND
MODULE AB



NOTES:

1. ALL RESISTORS ARE 1/4 W, ±5%.
2. ALL CAPACITORS ARE IN MFD'S, UNLESS INDICATED OTHERWISE.
3. U1 THROUGH U7 CAN BE ANY COMBINATION OF 2Kx8 OR 4Kx8 ROM'S OR EPROMS, THE PARTICULAR CONFIGURATION BEING ACCOMODATED BY J9 PROGRAM AND JUMPER FOLLOWS: 2Kx8 ROM (G19316B OR EQUIV.) JUMPERS D & A, 2Kx8 EPROM (INTEL 2716) JUMPERS D & A, 4Kx8 ROM (G190-3-9332B OR EQUIV.) JUMPERS D & B, 4Kx8 EPROM (INTEL 2732 OR EQUIV.) JUMPERS C & A.
4. PREFIX ALL REFERENCE DESIGNATIONS WITH A10.



PROMS,
AND JUMPER OPTIONS AS
INTEL 2716 OR EQUIV.)
K x 8 EPROM (TI TMS 2532 OR EQUIV.)

ALL DESIGN, OPERATIVE AND PROCESS DATA PERTAINING TO THE ARTICLE SHOWN ON THIS SHEET IS THE PROPERTY OF BALLY MFG. CORP. CHICAGO, ILL. THIS INFORMATION IS DISCLOSED IN CONFIDENCE AND IS NOT TO BE COPIED, REPRODUCED, REVEALED TO OR APPROPRIATED BY OTHERS. IN PART OR IN WHOLE, WITHOUT THE EXPRESS CONSENT OF THE OWNERS. THE PRINT IS LOANED AND MUST NOT BE USED IN ANY MANNER DETRIMENTAL TO THE INTEREST OF THE OWNERS AND MUST BE RETURNED ON DEMAND.

DR. BY FFC	DATE 5/5/80	<p>2640 BELMONT AVENUE CHICAGO, ILLINOIS</p>	PRINT CONTROL	DIE SIZE:	C.C.:	FT. PER M.	LBS. PER M.
CK. BY AMCR	DATE 7/18/80		NAME VOCALIZER "AIO"	ASSEM. NO. USED	SCALE		
AP'D BY [Signature]	DATE 8-2-80	MATERIAL	PART NO. W-1236 - c				
FINISH:		CODE					

NO.	LET.	CHANGE	DATE	BY

DO NOT SCALE DRAWING