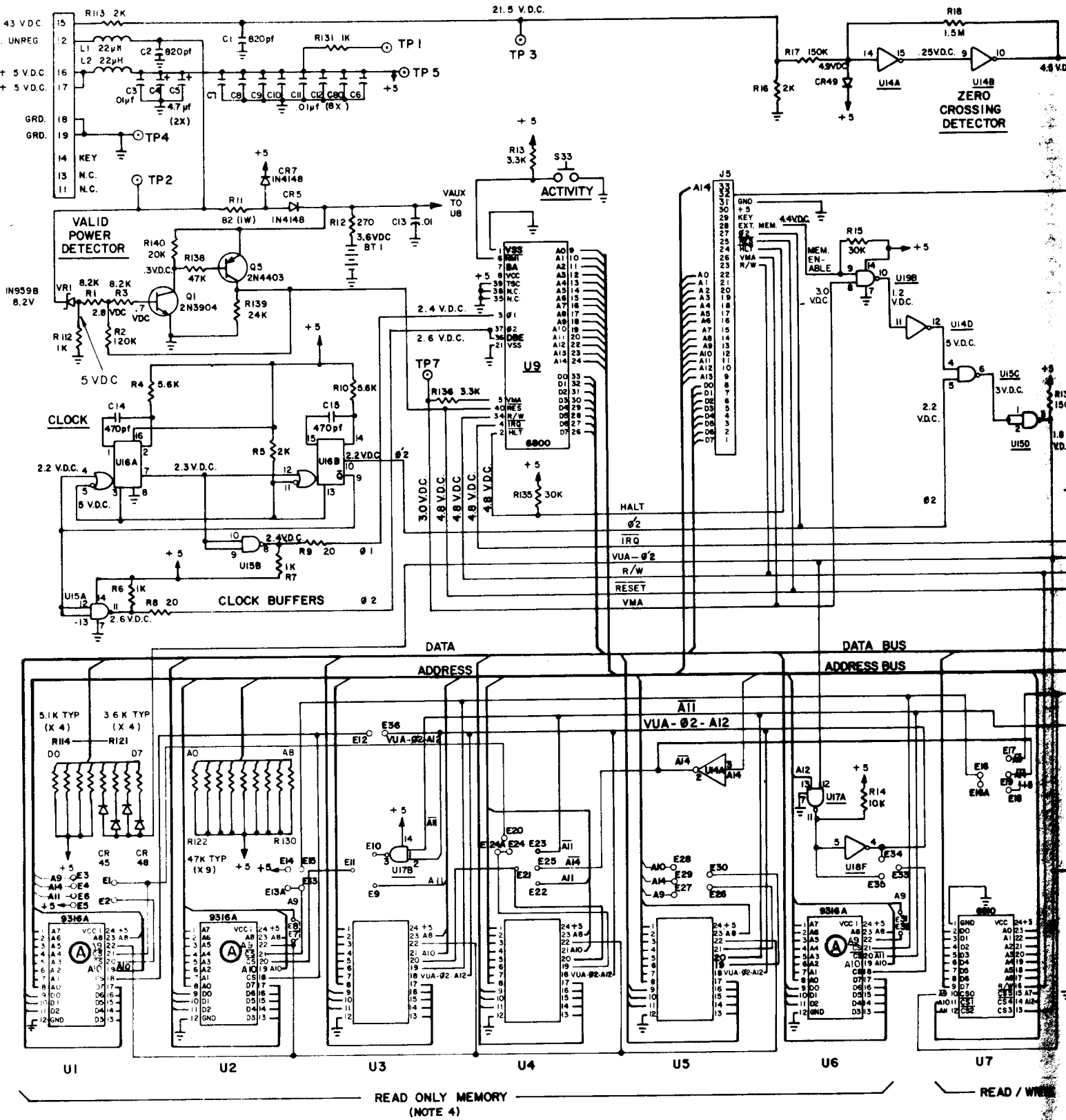


P/O J4

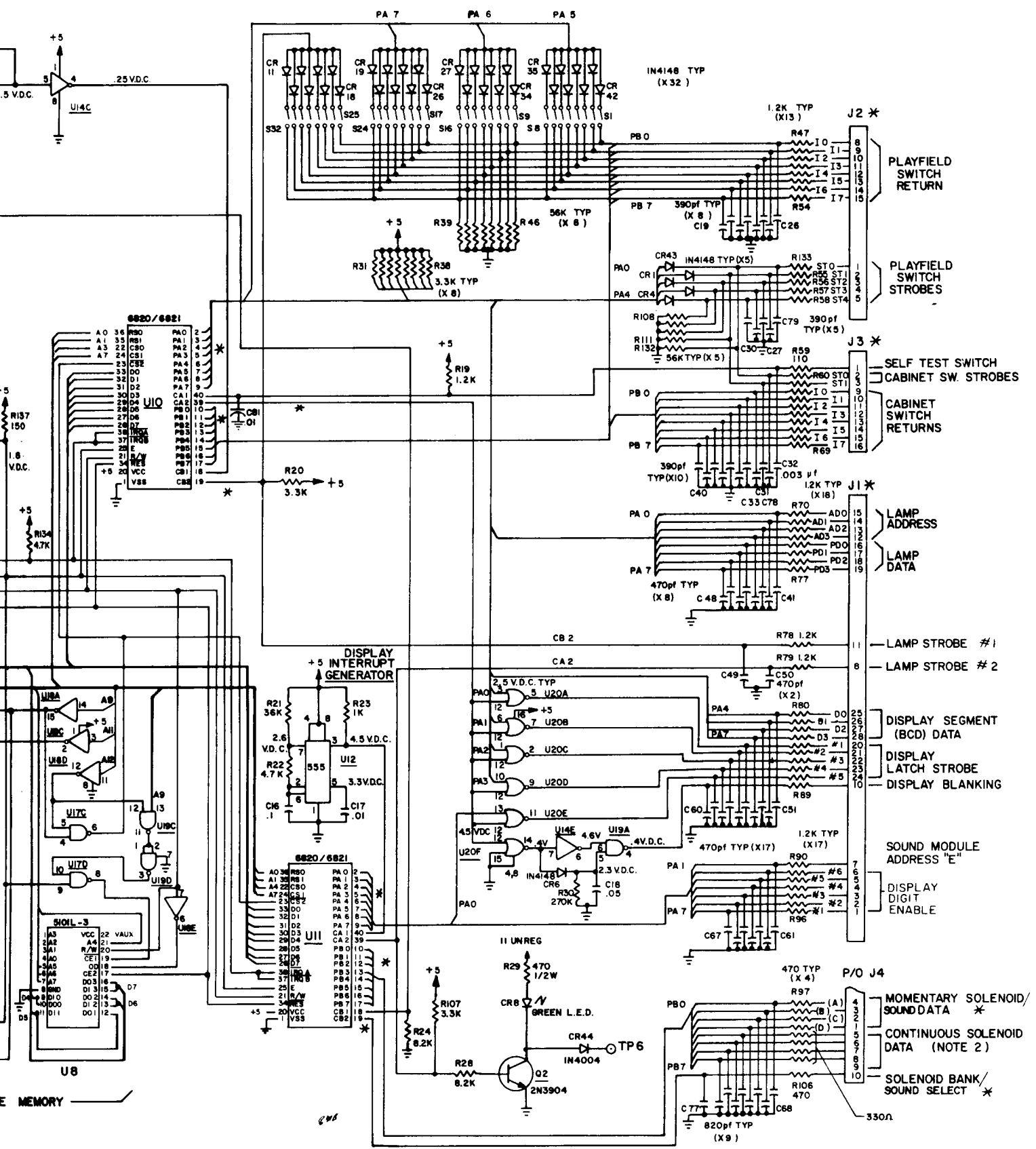


**NOTES**

1. \* INDICATES "Aid" TEST POINT.
2. REMOVE A3J4 BEFORE USING AS AID TEST POINT
3. PREFIX ALL REFERENCE DESIGNATIONS WITH "A4"
4. EXACT CHIP COMPLEMENT USED IN SOCKETS U1 THRU U6 CAN VARY FOR DIFFERENT GAMES AND PRODUCTION LOTS. TABLES OF MEMORY CHIPS AND CORRESPONDING JUMPERS FOR DIFFERENT GAMES AVAILABLE FROM BALLY FIELD SERVICE DEPARTMENT.

READ ONLY MEMORY  
(NOTE 4)

READ / WRITE



ALL DESIGN, OPERATIVE AND PROCESS DATA PERTAINING TO THE ARTICLE SHOWN ON THIS SHEET IS THE PROPERTY OF BALLY MANUFACTURING CORP. CHICAGO, ILL. THIS INFORMATION IS DISCLOSED IN CONFIDENCE AND IS NOT TO BE COPIED, REPRODUCED, REVEALED TO OR APPROPRIATED BY OTHERS IN PART OR IN WHOLE WITHOUT THE EXPRESS CONSENT OF THE OWNERS. THE PRINT IS LOANED AND MUST NOT BE USED IN ANY MANNER DETRIMENTAL TO THE INTEREST OF THE OWNERS, AND MUST BE RETURNED ON DEMAND.

No.	LET.	CHANGE	DATE	BY	CK.
1	A	A0 WDR VCC2 on U1, U2, U8 A10 WDR CS	11-74	G.T.	

REMOVE ALL BURRS  
 TOLERANCES ON DIMENSIONS UNLESS OTHERWISE SPECIFIED  
 FRACTIONS - 1/64  
 DECIMALS - .005  
 ANGLES - 1°  
 DO NOT SCALE DRAWING

DR. BY DATE E.V. 5-11-78	Bally MANUFACTURING CORP. 2640 BELMONT AVENUE CHICAGO, ILLINOIS 60618		1119-E
CR. BY DATE E.M. 5-15-78	PRINT CONTROL	NAME	TOTAL SCALE
APP'D. BY DATE	NAME	M.P.U. CONTROL BOARD SCHEMATIC	ASSEM NO USED ON W
FINISH	MATERIAL	PART NO	W-1181-3c