

F.O. 608

PROCEDURE FOR  
CONVERSION TO ELECTRONIC CHIMES

Parts required for K-525 Kit conversion as follows:

<u>Part No.</u>	<u>Required</u>	<u>Description</u>
AS-2888	1	Sound P.C.B.
E-556-768	1	Cable
AS-2958-1	1	Speaker Assembly
P-6442-213	2	Mounting Bracket
M-1829-1	2	Mounting Clip
SFPP-832-1106	2	Screw, P.C.B.
SAPR-600-1508	7	Screw, Bracket, Speaker

- Step 1: Remove and replace with E-556-768, existing back box cable.
- Step 2: Mount brackets, P-6442-213, to back box under Solenoid Driver using P.C.B. as a guide. (See Fig. 1).
- Step 3: Mount speaker to cabinet as shown in Fig. 1.
- Step 4: Disconnect wires from chimes and tape back.
- Step 5: Connect cables to Sound P.C.B. making sure to seat all connectors firmly.
- Step 6. Turn power ON. Game should now play electronic chimes.

First Usage: #1119-E

Date Issued: JUL 24 1978  
Last Revision:

KK

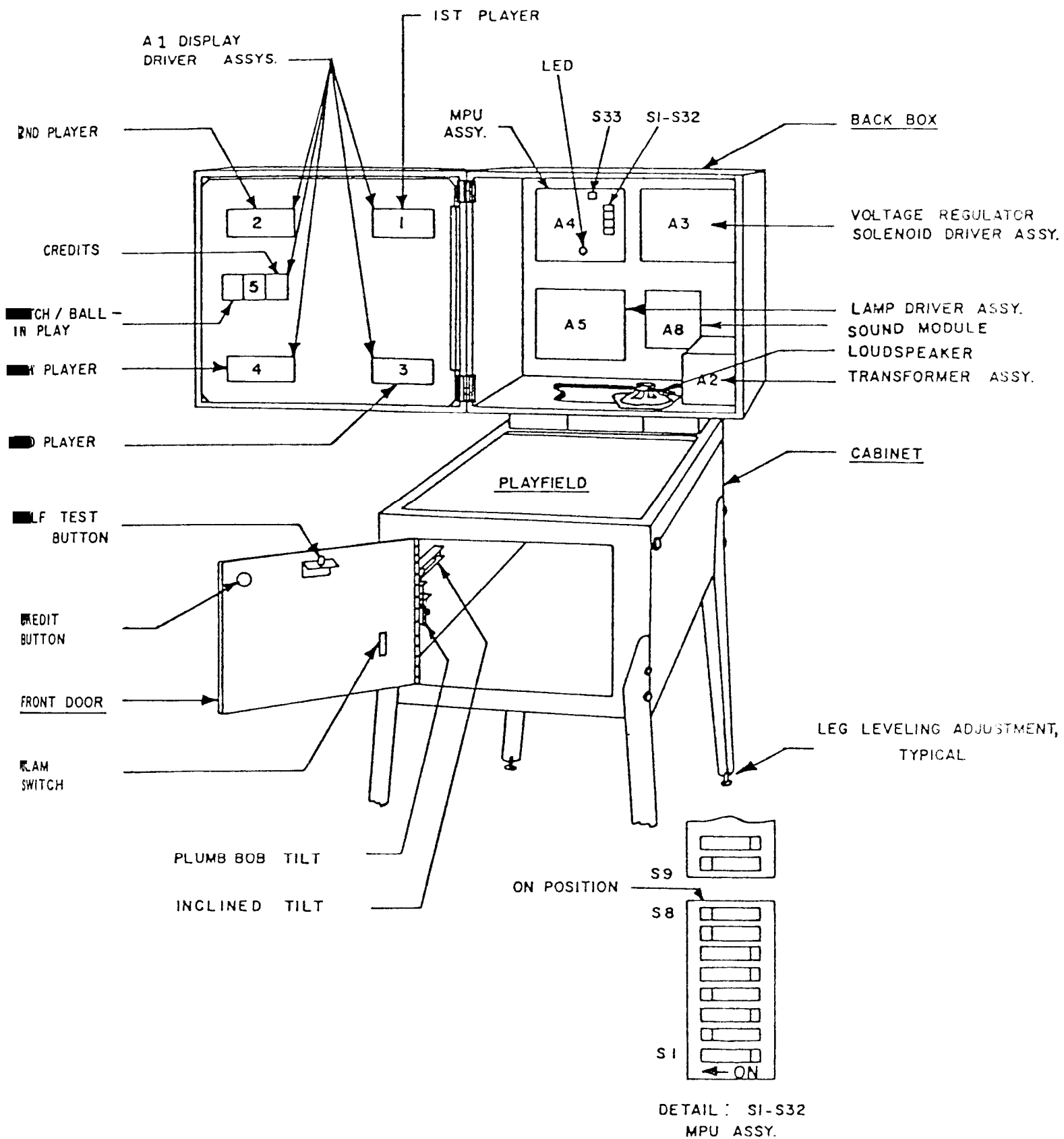


FIGURE I. ELECTRONIC PIN BALL MACHINE