



SERVICE NOTE

EFFECT: CARNIVAL
DIGGER

NUMBER: 01

SERVICE NOTE

IT HAS BEEN FOUND THAT, IN SOME AREAS OF THE COUNTRY, A GAME WILL GIVE A FREE CREDIT IF A STATIC CHARGE IS APPLIED TO IT. TO ALLEVIATE THIS PROBLEM, THE FOLLOWING MODIFICATION IS RECOMMENDED;

1. TURN OFF GAME POWER.
2. REMOVE THE PHOTO-COIN ASSEMBLY BOARD, LOCATED INSIDE THE COIN DOOR.
3. LOCATE IC U1, A 555 IC, ON THE PHOTO-COIN BOARD.
4. TURN THE BOARD OVER, AND CUT THE ETCH BETWEEN PINS 2 AND 6 OF U1.
5. CAREFULLY SOLDER A 100K RESISTOR (ENCLOSED) FROM PIN 8 OF U1 TO PIN 2 OF U1.
6. SOLDER A 12" LENGTH OF WIRE (ENCLOSED) FROM PIN 2 OF U1. ATTACH THE OTHER END OF THIS WIRE TO THE TOP OF THE PHOTO-COIN BOARD. THIS WIRE SHOULD FORM A LOOP. THIS WIRE ACTS AS AN R.F. SHIELD AND THE UNSOLDERED END SHOULD BE WRAPPED AROUND WITHOUT BEING HOOKED UP TO ANYTHING.
7. SOLDER A 22 OHM RESISTOR (ENCLOSED) BETWEEN PINS 6 AND 7 OF U1.
8. RE-INSTALL THE PHOTO-COIN BOARD IN ITS EDGE CONNECTOR.

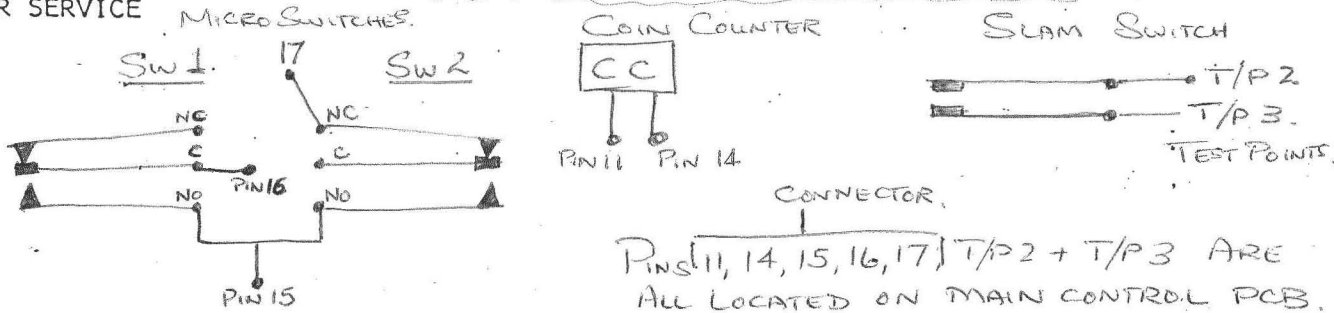
NOW, THE GAME WILL NO LONGER GIVE A FREE CREDIT WHEN A STATIC CHARGE IS APPLIED.

PLEASE CALL GREMLIN/SEGA AT (714) 277-8700, X239, IF YOU HAVE ANY QUESTIONS.

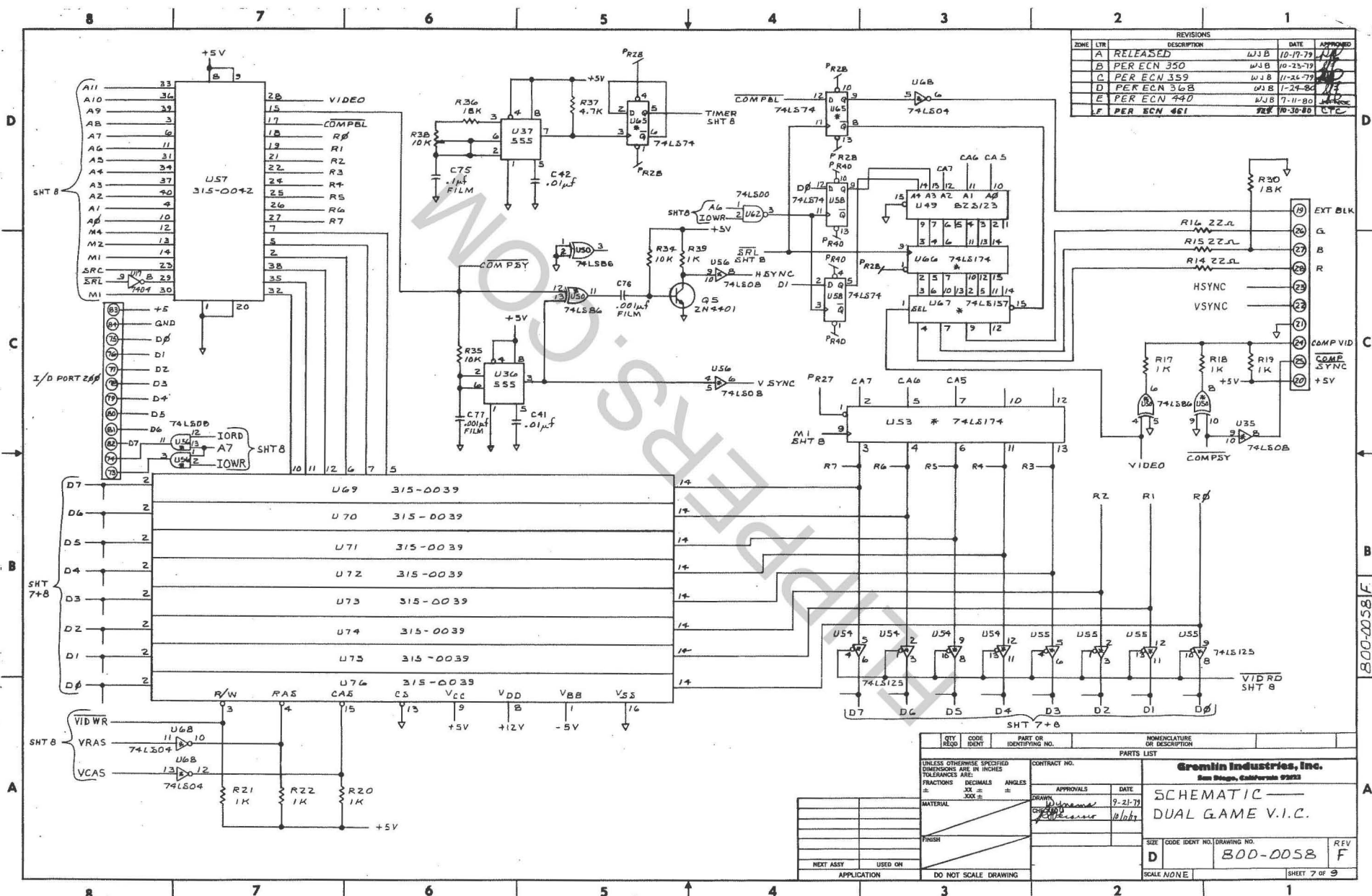
THANK YOU,
 REPLACE 1 MEG RESISTOR THAT IS JUST TO THE RIGHT OF U1 WITH A 220 KOHM.
 REMOVE PHOTO COIN BOARD TO CHANGE OVER TO MICRO SWITCH SYSTEM.

CUSTOMER SERVICE

SM/PLP

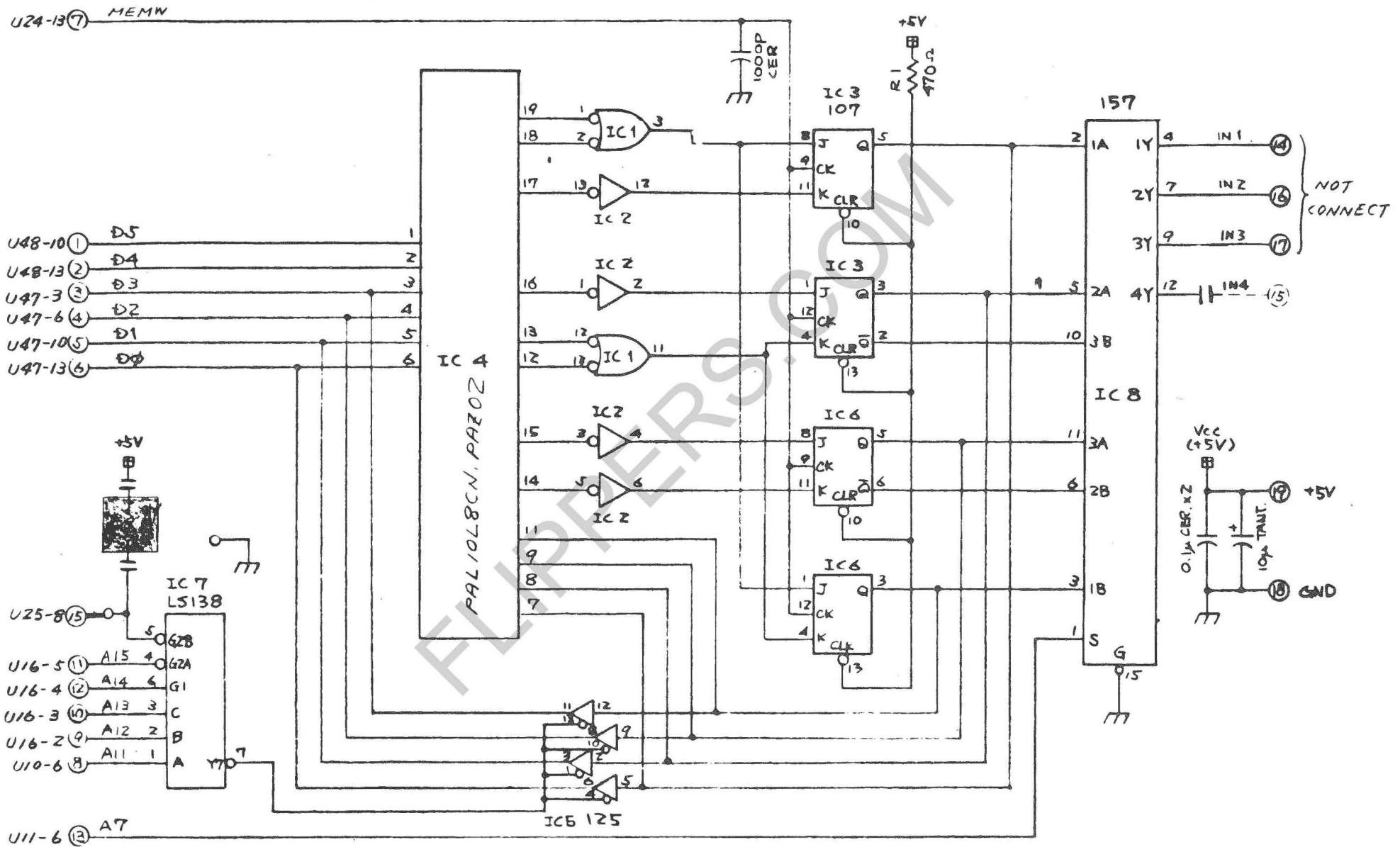


REVISIONS			
ZONE	LTR	DESCRIPTION	DATE
A	RELEASED		WJB 10-19-79
B	PER ECN 350		WJB 10-25-79
C	PER ECN 359		WJB 11-24-79
D	PER ECN 368		WJB 1-24-80
E	PER ECN 440		WJB 7-11-80
F	PER ECN 461		WJB 10-30-80



QTY	CODE	PART OR IDENTIFYING NO.	MANUFACTURE OR DESCRIPTION

CONTRACT NO.		APPROVALS		DATE
800-0058 F		WJB		9-21-79
Gromlin Industries, Inc. San Diego, California 92161				
SCHMATIC - DUAL GAME V.I.C.				
SIZE	CODE IDENT NO.	DRAWING NO.	REV	
D	800-0058	F	F	
SCALE NONE		SHEET 7 OF 9		



SEGA SUB-BOARD: CARNIVAL, TRANQUILIZER GUN
LOGIC BOARDS