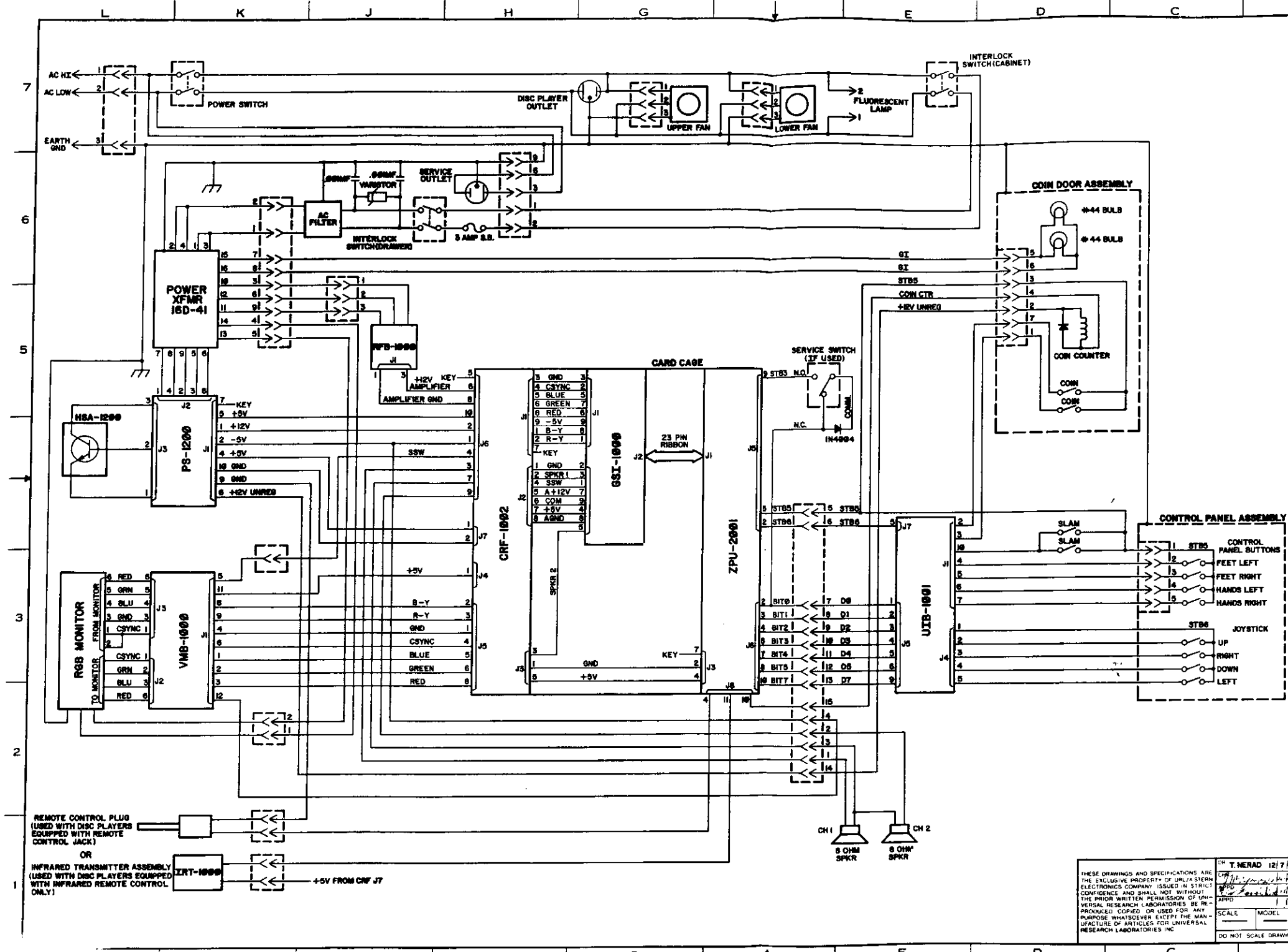


(800) 621-6424

1314) 361-9000 FAX: 234557



REVISIONS			
SYM	DESCRIPTION	DATE	BY
A	ISSUED E.I. 00000		



THESE DRAWINGS AND SPECIFICATIONS ARE THE EXCLUSIVE PROPERTY OF URL/STERN ELECTRONICS COMPANY. ISSUED IN STRICT CONFIDENCE AND SHALL NOT WITHOUT THE PRIOR WRITTEN PERMISSION OF UNIVERSAL RESEARCH LABORATORIES BE REPRODUCED, COPIED, OR USED FOR ANY PURPOSE WHATSOEVER EXCEPT THE MANUFACTURE OF ARTICLES FOR UNIVERSAL RESEARCH LABORATORIES INC.

DR T. MERAD 12/7/88  
 DATE 12/7/88  
 SCALE MODEL  
 DO NOT SCALE DRAWING

**URL STERN**

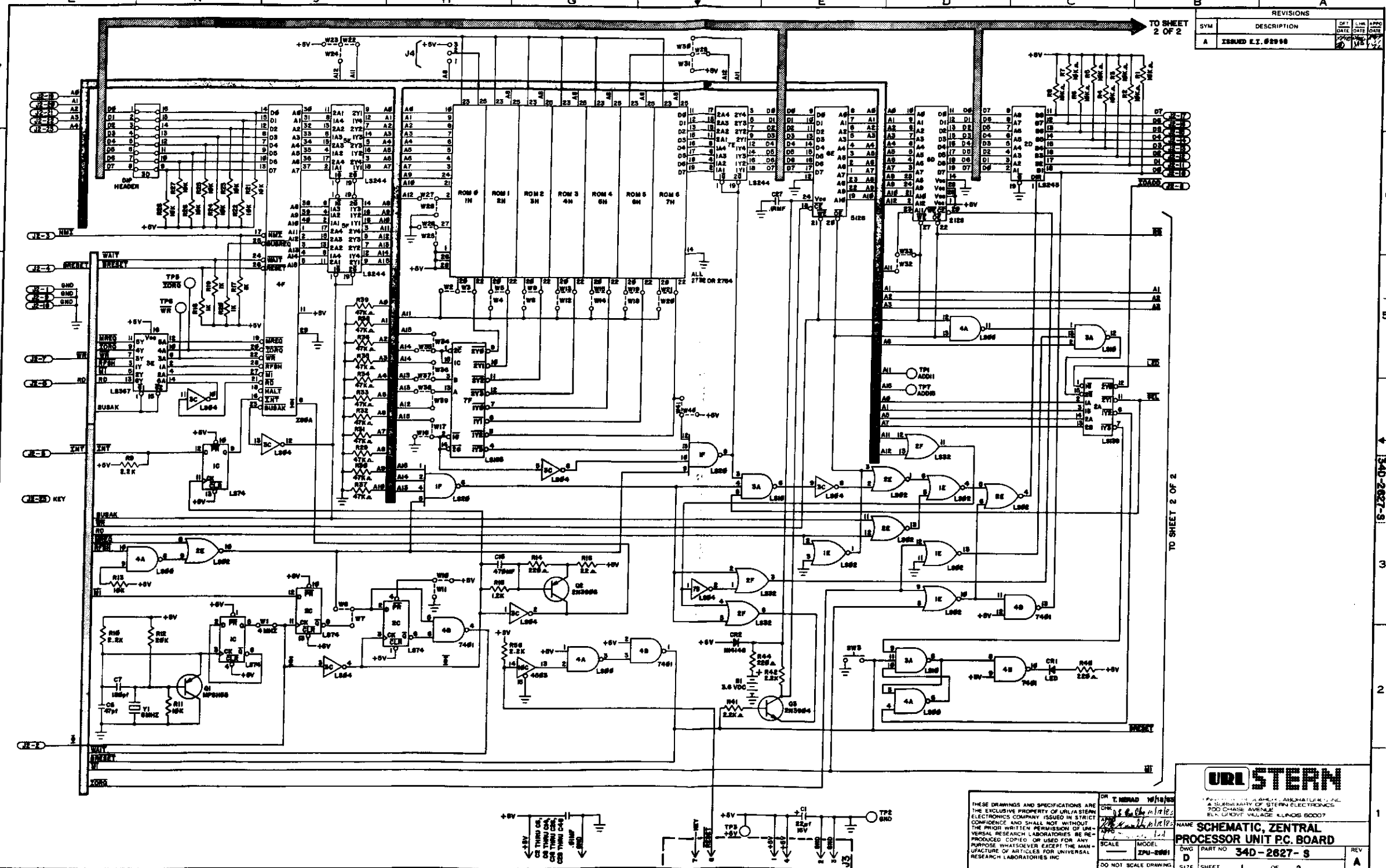
UNIVERSAL RESEARCH LABORATORIES  
 20110 131ST AVE  
 FORT LINDSEY, ILLINOIS 60007

NAME: **CLIFF HANGER/ GOAL TO GO WIRING DIAGRAM**

DWG PART NO: **34D-219-WD** REV: **A**

SIZE SHEET: **1** OF **1**

REVISIONS				
SYM	DESCRIPTION	DATE	APP'D	DATE
A	ISSUED E.I. #2998			



TO SHEET 2 OF 2

340-2627-S

DR. T. MENARD  
 CKR  
 DATE  
 SCALE  
 MODEL  
 2PM-2991  
 DO NOT SCALE DRAWING

**URI STERN**

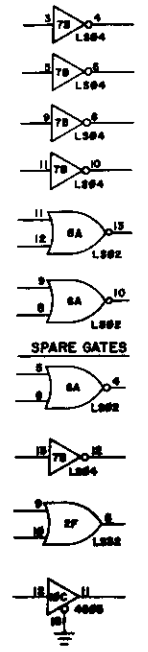
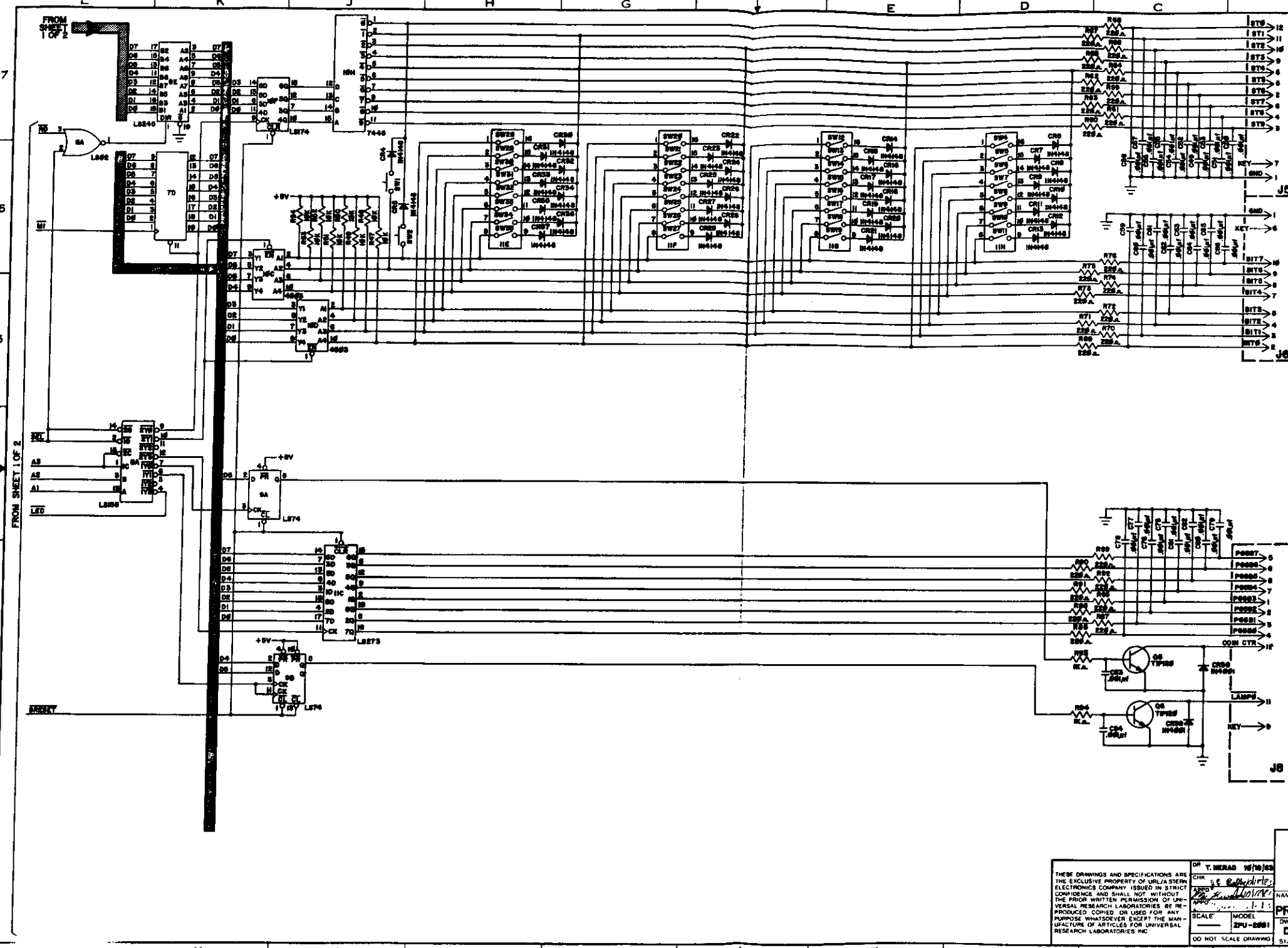
UNIVERSAL RESEARCH LABORATORIES, INC.  
 700 CHASE AVENUE  
 ELK GROVE VILLAGE, ILLINOIS 60007

NAME: SCHEMATIC, ZENTRAL  
 PROCESSOR UNIT P.C. BOARD

DWG. PART NO: 340-2627-S  
 SHEET OF 2

REV. A

REVISIONS			
SYM	DESCRIPTION	DATE	APPD
A	ISSUED E.T. 02088		



Q80A	II	29
L8247	10	0
L8273	20	10
L8245	20	10
L8244	20	10
L8274	10	0
L8255	10	0
L8190	10	0
L8276	14	7
L8282	14	7
L8280	14	7
L828	14	7
L824	14	7
L825	14	7
L826	14	7
L827	14	7
L828	14	7
L829	14	7
L830	14	7
L831	14	7
L832	14	7
L833	14	7
L834	14	7
L835	14	7
L836	14	7
L837	14	7
L838	14	7
L839	14	7
L840	14	7
L841	14	7
L842	14	7
L843	14	7
L844	14	7
L845	14	7
L846	14	7
L847	14	7
L848	14	7
L849	14	7
L850	14	7
L851	14	7
L852	14	7
L853	14	7
L854	14	7
L855	14	7
L856	14	7
L857	14	7
L858	14	7
L859	14	7
L860	14	7
L861	14	7
L862	14	7
L863	14	7
L864	14	7
L865	14	7
L866	14	7
L867	14	7
L868	14	7
L869	14	7
L870	14	7
L871	14	7
L872	14	7
L873	14	7
L874	14	7
L875	14	7
L876	14	7
L877	14	7
L878	14	7
L879	14	7
L880	14	7
L881	14	7
L882	14	7
L883	14	7
L884	14	7
L885	14	7
L886	14	7
L887	14	7
L888	14	7
L889	14	7
L890	14	7
L891	14	7
L892	14	7
L893	14	7
L894	14	7
L895	14	7
L896	14	7
L897	14	7
L898	14	7
L899	14	7
L900	14	7
L901	14	7
L902	14	7
L903	14	7
L904	14	7
L905	14	7
L906	14	7
L907	14	7
L908	14	7
L909	14	7
L910	14	7
L911	14	7
L912	14	7
L913	14	7
L914	14	7
L915	14	7
L916	14	7
L917	14	7
L918	14	7
L919	14	7
L920	14	7
L921	14	7
L922	14	7
L923	14	7
L924	14	7
L925	14	7
L926	14	7
L927	14	7
L928	14	7
L929	14	7
L930	14	7
L931	14	7
L932	14	7
L933	14	7
L934	14	7
L935	14	7
L936	14	7
L937	14	7
L938	14	7
L939	14	7
L940	14	7
L941	14	7
L942	14	7
L943	14	7
L944	14	7
L945	14	7
L946	14	7
L947	14	7
L948	14	7
L949	14	7
L950	14	7
L951	14	7
L952	14	7
L953	14	7
L954	14	7
L955	14	7
L956	14	7
L957	14	7
L958	14	7
L959	14	7
L960	14	7
L961	14	7
L962	14	7
L963	14	7
L964	14	7
L965	14	7
L966	14	7
L967	14	7
L968	14	7
L969	14	7
L970	14	7
L971	14	7
L972	14	7
L973	14	7
L974	14	7
L975	14	7
L976	14	7
L977	14	7
L978	14	7
L979	14	7
L980	14	7
L981	14	7
L982	14	7
L983	14	7
L984	14	7
L985	14	7
L986	14	7
L987	14	7
L988	14	7
L989	14	7
L990	14	7
L991	14	7
L992	14	7
L993	14	7
L994	14	7
L995	14	7
L996	14	7
L997	14	7
L998	14	7
L999	14	7
L1000	14	7

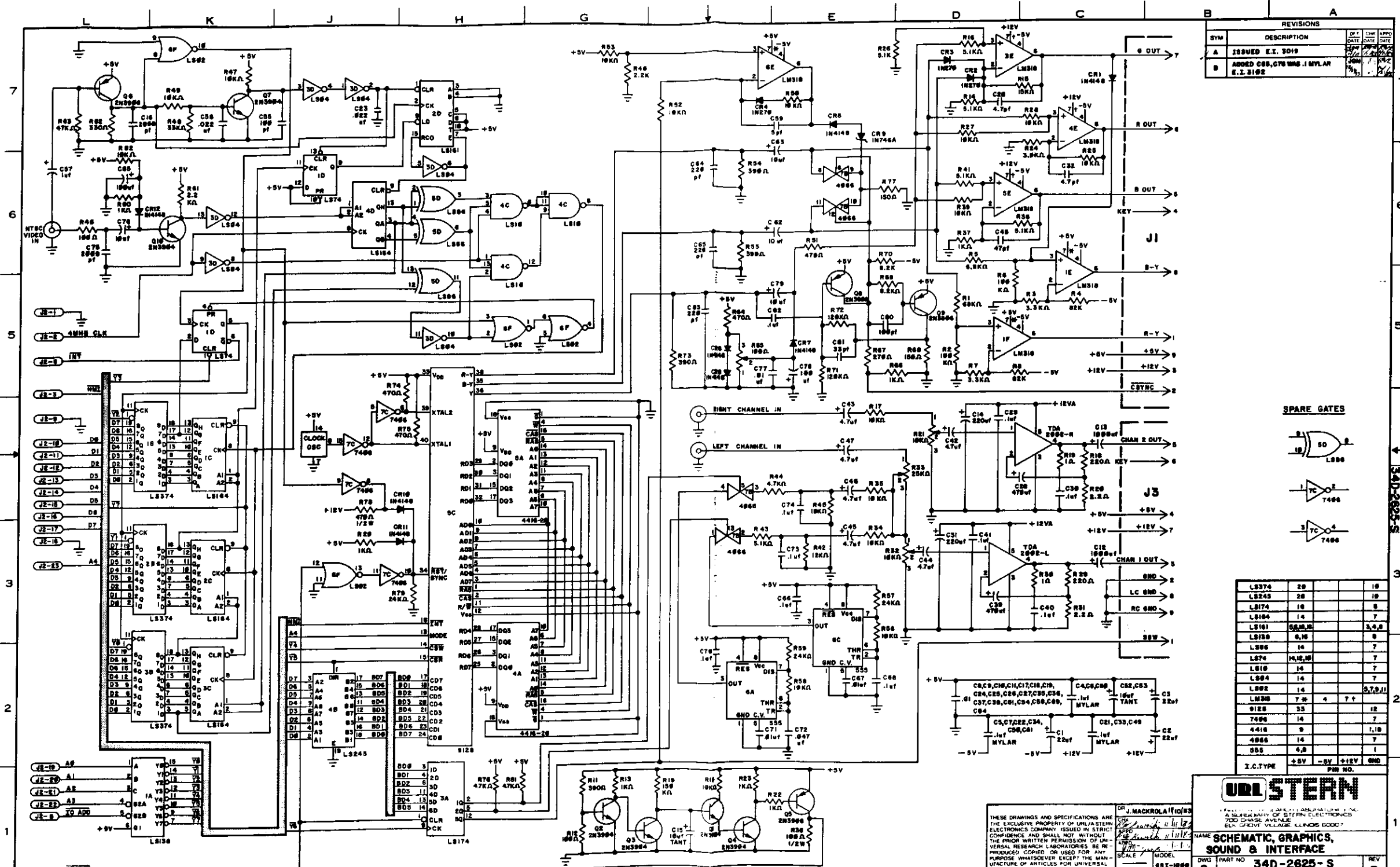
THESE DRAWINGS AND SPECIFICATIONS ARE THE EXCLUSIVE PROPERTY OF URVIA STERN ELECTRONICS COMPANY ISSUED IN STRICT CONFIDENCE AND SHALL NOT WITHOUT THE PRIOR WRITTEN PERMISSION OF UNIVERSAL RESEARCH LABORATORIES BE REPRODUCED, COPIED OR USED FOR ANY PURPOSE WHATSOEVER EXCEPT THE MANUFACTURE OF ARTICLES FOR UNIVERSAL RESEARCH LABORATORIES INC.

OR T. MERAD 10/10/63  
CHK  
APPD  
SCALE  
MODEL  
DO NOT SCALE DRAWING

**URVIA STERN**  
UNIVERSAL RESEARCH LABORATORIES INC.  
A SUBSIDIARY OF STERN ELECTRONICS  
700 CHASE AVENUE  
FLY CROFT VILLAGE EL MONS 8000?

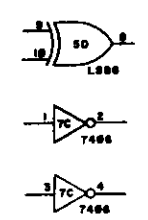
NAME: SCHEMATIC, CENTRAL  
PROCESSOR UNIT P.C. BOARD  
REV: A

DWG: PART NO 34D-2627-S  
SIZE: SHEET 2 OF 2



REVISIONS				
SYM	DESCRIPTION	DATE	CHK	APPD
A	ISSUED E.I. 3019			
B	ADDED C85, C70 WAS 1 MYLAR	3/8/68		
	E.I. 3182			

SPARE GATES

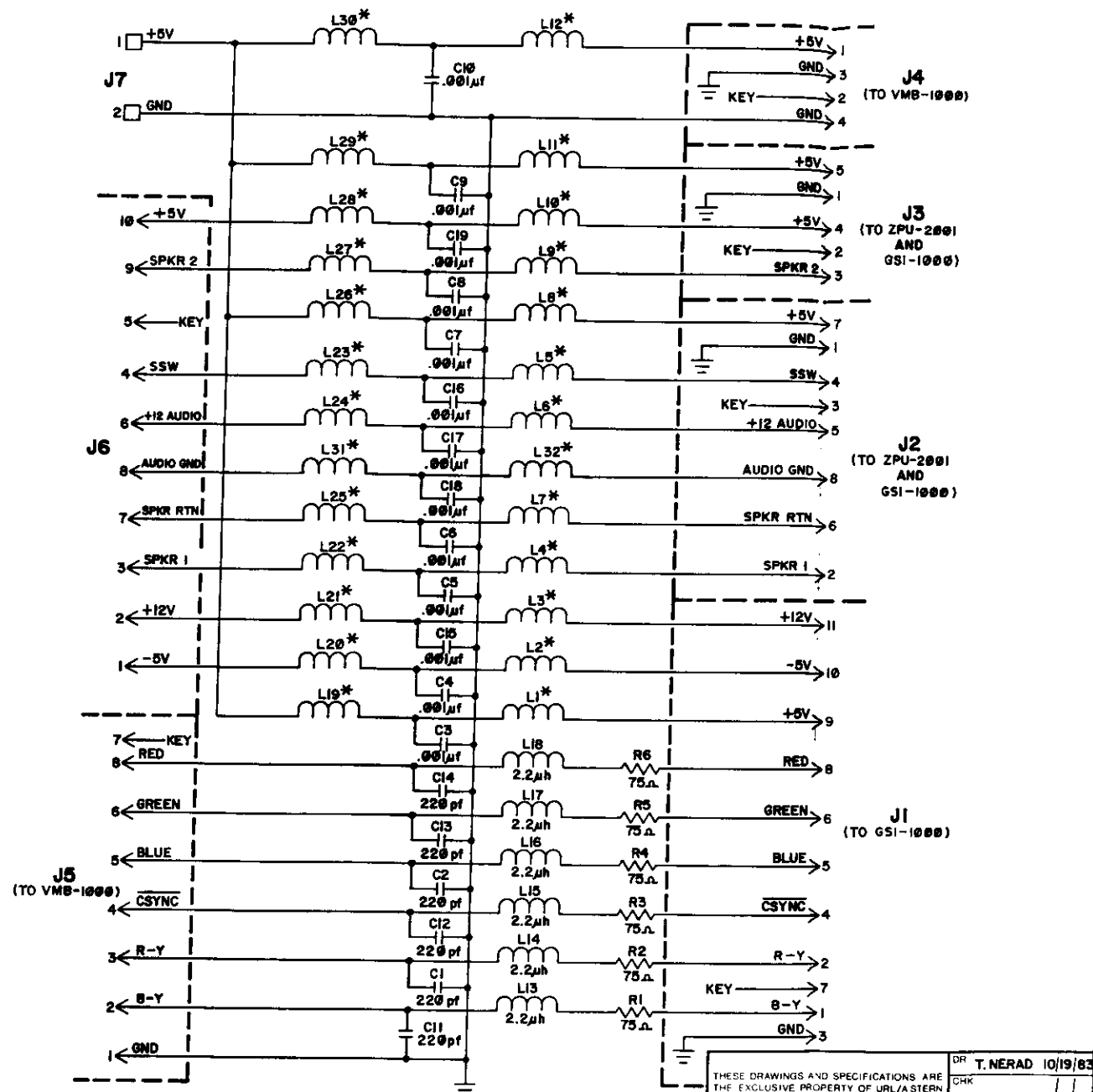


IC TYPE	QTY	REV	PER NO.
LS374	20		10
LS243	20		10
LS174	10		8
LS104	14		7
LS161	56,120		3,0,8
LS130	4,10		9
LS96	14		7
LS74	1,12,16		7
LS10	14		7
LS94	14		7
LS92	14		5,7,11
LS394	7,8	4	7
9125	33		12
7490	14		7
4416	9		1,10
4866	14		7
865	4,8		1

DR J. MACKOLA 1/10/68  
 THESE DRAWINGS AND SPECIFICATIONS ARE THE EXCLUSIVE PROPERTY OF URL/ASTERN ELECTRONICS COMPANY. ISSUED IN STRICT CONFIDENCE AND SHALL NOT WITHOUT THE PRIOR WRITTEN PERMISSION OF UNIVERSAL RESEARCH LABORATORIES BE REPRODUCED, COPIED OR USED FOR ANY PURPOSE WHATSOEVER EXCEPT THE MANUFACTURE OF ARTICLES FOR UNIVERSAL RESEARCH LABORATORIES INC.

**URL/ASTERN**  
 SCHEMATIC, GRAPHICS,  
 SOUND & INTERFACE  
 NAME: SCHEMATIC, GRAPHICS,  
 SOUND & INTERFACE  
 DWG: D PART NO: 34D-2625-S REV: B  
 SCALE: MODEL: 881-1000  
 SIZE: SHEET 1 OF 1

REVISIONS			
SYM	DESCRIPTION	DFT DATE	APPD DATE
A	ISSUED E.I. 02950		



- NOTES:
- \* = INDUCTORS ARE FERRITE BEADS.
  - J5, J6 AND J7 MOUNT ON SOLDER SIDE.

THESE DRAWINGS AND SPECIFICATIONS ARE THE EXCLUSIVE PROPERTY OF URL/ASTERN ELECTRONICS COMPANY. ISSUED IN STRICT CONFIDENCE AND SHALL NOT, WITHOUT THE PRIOR WRITTEN PERMISSION OF UNIVERSAL RESEARCH LABORATORIES, BE REPRODUCED, COPIED OR USED FOR ANY PURPOSE WHATSOEVER EXCEPT THE MANUFACTURE OF ARTICLES FOR UNIVERSAL RESEARCH LABORATORIES INC.

**URL STERN**  
 UNIVERSAL RESEARCH LABORATORIES INC  
 A SUBSIDIARY OF STERN ELECTRONICS  
 700 CHASE AVENUE  
 ELK GROVE VILLAGE, ILLINOIS 60007

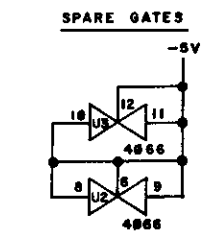
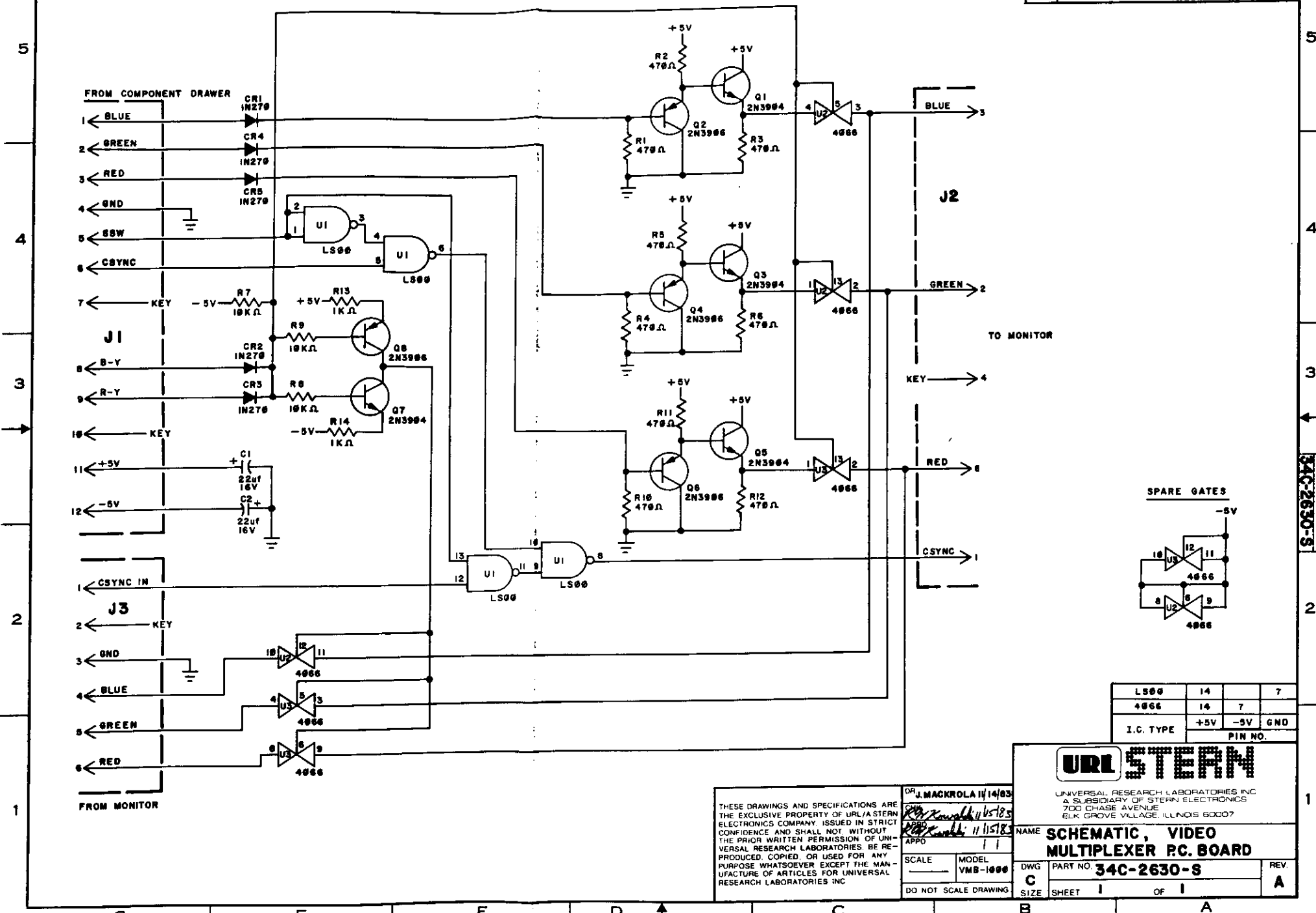
NAME: SCHEMATIC, CARD  
 RACK FILTER P.C. BOARD

DWG PART NO: 34C-2600-S  
 SHEET 1 OF 1

REV: A

DATE: 10/19/83  
 CHECKED: [Signature]  
 APPR: [Signature]  
 SCALE: CRF-1002  
 DO NOT SCALE DRAWING

REVISIONS			
SYM	DESCRIPTION	DFT DATE	CHK APPD DATE
A	ISSUED E.I. 5023		



LS00	14	7	
4066	14	7	
I.C. TYPE	+5V	-5V	GND
	PIN NO.		

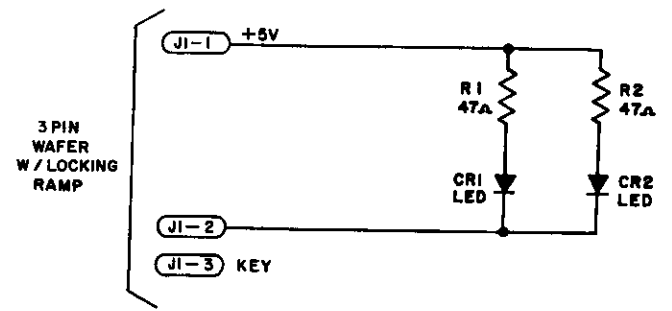
THESE DRAWINGS AND SPECIFICATIONS ARE THE EXCLUSIVE PROPERTY OF URL/A STERN ELECTRONICS COMPANY. ISSUED IN STRICT CONFIDENCE AND SHALL NOT, WITHOUT THE PRIOR WRITTEN PERMISSION OF UNIVERSAL RESEARCH LABORATORIES, BE REPRODUCED, COPIED, OR USED FOR ANY PURPOSE WHATSOEVER EXCEPT THE MANUFACTURE OF ARTICLES FOR UNIVERSAL RESEARCH LABORATORIES INC.

DR. J. MACKROLA 11/14/83  
 APPRO. [Signature]  
 SCALE \_\_\_\_\_ MODEL VMB-1000  
 DO NOT SCALE DRAWING

**URL STERN**  
 UNIVERSAL RESEARCH LABORATORIES INC  
 A SUBSIDIARY OF STERN ELECTRONICS  
 700 CHASE AVENUE  
 ELK GROVE VILLAGE, ILLINOIS 60007

NAME: SCHEMATIC, VIDEO MULTIPLEXER PC BOARD  
 PART NO. 34C-2630-S  
 SHEET 1 OF 1  
 REV. A

REVISIONS				
SYM	DESCRIPTION	DFT DATE	CHK DATE	APPD DATE
A	ISSUED E.I. 02956			



THESE DRAWINGS AND SPECIFICATIONS ARE THE EXCLUSIVE PROPERTY OF URL/A STERN ELECTRONICS COMPANY. ISSUED IN STRICT CONFIDENCE AND SHALL NOT, WITHOUT THE PRIOR WRITTEN PERMISSION OF UNIVERSAL RESEARCH LABORATORIES, BE REPRODUCED COPIED OR USED FOR ANY PURPOSE WHATSOEVER EXCEPT THE MANUFACTURE OF ARTICLES FOR UNIVERSAL RESEARCH LABORATORIES INC

DR	J.G.M.	102003
CHK		11
APPD	<i>[Signature]</i>	11/23
APPD		11
SCALE		MODEL
		IRT-1000
DO NOT SCALE DRAWING		

**URL STERN**

UNIVERSAL RESEARCH LABORATORIES INC  
A SUBSIDIARY OF STERN ELECTRONICS  
700 CHASE AVENUE  
ELK GROVE VILLAGE, ILLINOIS 60007

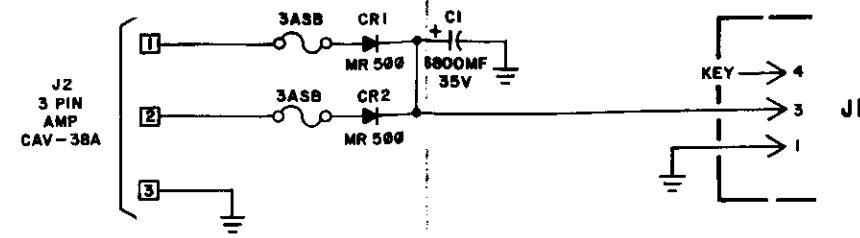
NAME **SCHEMATIC, INFRARED TRANSMITTER P.C. BOARD**

DWG PART NO **34C-2660-S** REV **A**

C SIZE SHEET 1 OF 1

34C-2660-S

REVISIONS				
SYM	DESCRIPTION	DFT DATE	CHK DATE	APPD DATE
A	ISSUED E. I. 02063			



THESE DRAWINGS AND SPECIFICATIONS ARE THE EXCLUSIVE PROPERTY OF URL/A STERN ELECTRONICS COMPANY. ISSUED IN STRICT CONFIDENCE AND SHALL NOT, WITHOUT THE PRIOR WRITTEN PERMISSION OF UNIVERSAL RESEARCH LABORATORIES, BE REPRODUCED, COPIED, OR USED FOR ANY PURPOSE WHATSOEVER EXCEPT THE MANUFACTURE OF ARTICLES FOR UNIVERSAL RESEARCH LABORATORIES INC

DR J.A.M. 10/10/63  
 CHK  
 APPD [Signature] 10/10/63  
 SCALE MODEL RFB-1000  
 DO NOT SCALE DRAWING

**URL STERN**  
 UNIVERSAL RESEARCH LABORATORIES INC  
 A SUBSIDIARY OF STERN ELECTRONICS  
 700 CHASE AVENUE  
 ELK GROVE VILLAGE, ILLINOIS 60007

NAME **SCHEMATIC, RECTIFIER FILTER P.C. BOARD**

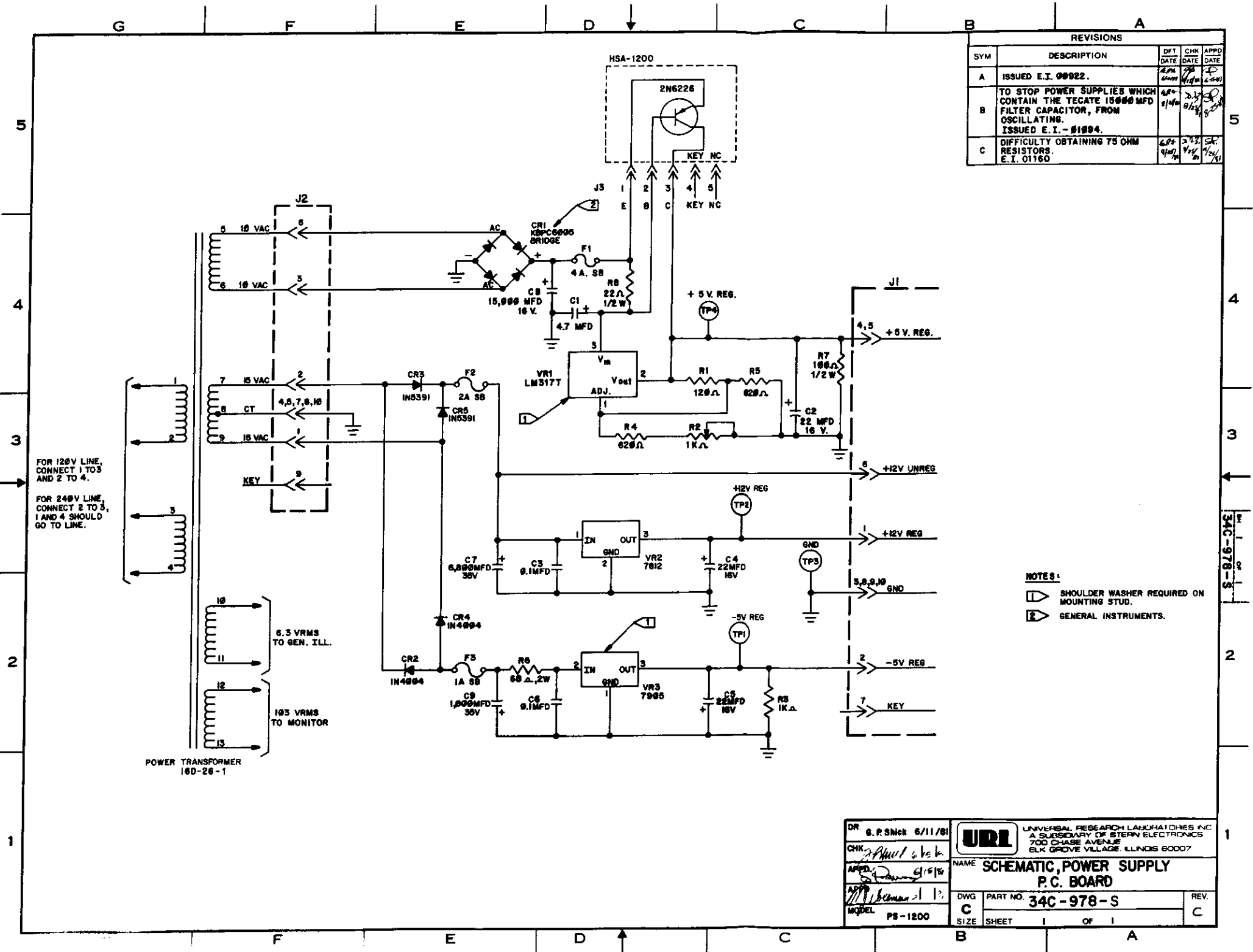
DWG PART NO. **34C-2610-S** REV. **A**

SIZE SHEET 1 OF 1

34C-2610-S



REVISIONS				
SYM	DESCRIPTION	DFY DATE	CHK DATE	APPD DATE
A	ISSUED E.I. 00922.	6/24/61	7/3/61	[Signature]
B	TO STOP POWER SUPPLIES WHICH CONTAIN THE TECATE 15000 MFD FILTER CAPACITOR, FROM OSCILLATING. ISSUED E.I. - 01004.	6/24/61	9/14/61	[Signature]
C	DIFFICULTY OBTAINING 75 OHM RESISTORS. E.I. 01160	6/24/61	7/20/61	[Signature]



FOR 120V LINE, CONNECT 1 TO 3 AND 2 TO 4.  
 FOR 240V LINE, CONNECT 2 TO 3, 1 AND 4 SHOULD GO TO LINE.

6.3 VRMS TO GEN. ILL.

105 VRMS TO MONITOR

POWER TRANSFORMER 160-26-1

- NOTES:
- SHOULDER WASHER REQUIRED ON MOUNTING STUD.
  - GENERAL INSTRUMENTS.

DR. G. P. S. Nick 6/11/61	<b>URL</b> UNIVERSAL RESEARCH LAUNCHERS INC. A SUBSIDIARY OF STERN ELECTRONICS 700 CHASE AVENUE BLK GROVE VILLAGE ILLINOIS 60007	NAME SCHEMATIC, POWER SUPPLY P.C. BOARD	
CHK. [Signature]		DWG. PART NO. 34C-978-S	REV. C
APPD. [Signature]	SIZE C	SHEET 1	OF 1
MODEL PS-1200			