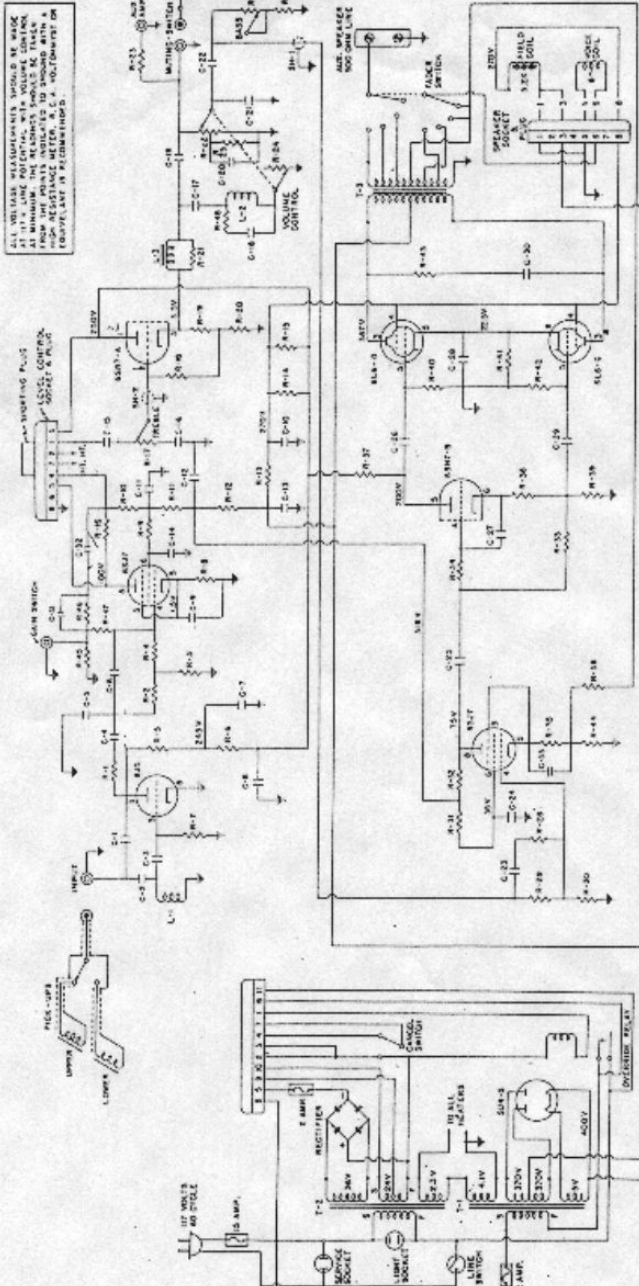


SOUND SYSTEM - MODEL 516 - 60 CYCLE



ALL VOLTAGE MEASUREMENTS SHOULD BE MADE WITH THE SET PLUGGED INTO THE WALL SOCKET AT MINIMUM. THE RESISTOR SYMBOLS IN THIS SCHEMATIC ARE TO BE USED WITH A 5% TOLERANCE UNLESS OTHERWISE SPECIFIED. ALL VOLTAGE MEASUREMENTS SHOULD BE MADE WITH THE SET PLUGGED INTO THE WALL SOCKET AT MINIMUM. THE RESISTOR SYMBOLS IN THIS SCHEMATIC ARE TO BE USED WITH A 5% TOLERANCE UNLESS OTHERWISE SPECIFIED.

TUBE PART NO.	WATTAGE	REMARKS
6-1	100 W	6X4
6-2	100 W	6AV6
6-3	100 W	6BE6
6-4	100 W	6X5
6-5	100 W	6X5
6-6	100 W	6X5
6-7	100 W	6X5
6-8	100 W	6X5
6-9	100 W	6X5
6-10	100 W	6X5
6-11	100 W	6X5
6-12	100 W	6X5
6-13	100 W	6X5
6-14	100 W	6X5
6-15	100 W	6X5
6-16	100 W	6X5
6-17	100 W	6X5
6-18	100 W	6X5
6-19	100 W	6X5
6-20	100 W	6X5
6-21	100 W	6X5
6-22	100 W	6X5
6-23	100 W	6X5
6-24	100 W	6X5
6-25	100 W	6X5
6-26	100 W	6X5
6-27	100 W	6X5
6-28	100 W	6X5
6-29	100 W	6X5
6-30	100 W	6X5
6-31	100 W	6X5
6-32	100 W	6X5
6-33	100 W	6X5
6-34	100 W	6X5
6-35	100 W	6X5
6-36	100 W	6X5
6-37	100 W	6X5
6-38	100 W	6X5
6-39	100 W	6X5
6-40	100 W	6X5
6-41	100 W	6X5
6-42	100 W	6X5
6-43	100 W	6X5
6-44	100 W	6X5
6-45	100 W	6X5
6-46	100 W	6X5
6-47	100 W	6X5
6-48	100 W	6X5
6-49	100 W	6X5
6-50	100 W	6X5
6-51	100 W	6X5
6-52	100 W	6X5
6-53	100 W	6X5
6-54	100 W	6X5
6-55	100 W	6X5
6-56	100 W	6X5
6-57	100 W	6X5
6-58	100 W	6X5
6-59	100 W	6X5
6-60	100 W	6X5
6-61	100 W	6X5
6-62	100 W	6X5
6-63	100 W	6X5
6-64	100 W	6X5
6-65	100 W	6X5
6-66	100 W	6X5
6-67	100 W	6X5
6-68	100 W	6X5
6-69	100 W	6X5
6-70	100 W	6X5
6-71	100 W	6X5
6-72	100 W	6X5
6-73	100 W	6X5
6-74	100 W	6X5
6-75	100 W	6X5
6-76	100 W	6X5
6-77	100 W	6X5
6-78	100 W	6X5
6-79	100 W	6X5
6-80	100 W	6X5
6-81	100 W	6X5
6-82	100 W	6X5
6-83	100 W	6X5
6-84	100 W	6X5
6-85	100 W	6X5
6-86	100 W	6X5
6-87	100 W	6X5
6-88	100 W	6X5
6-89	100 W	6X5
6-90	100 W	6X5
6-91	100 W	6X5
6-92	100 W	6X5
6-93	100 W	6X5
6-94	100 W	6X5
6-95	100 W	6X5
6-96	100 W	6X5
6-97	100 W	6X5
6-98	100 W	6X5
6-99	100 W	6X5
6-100	100 W	6X5