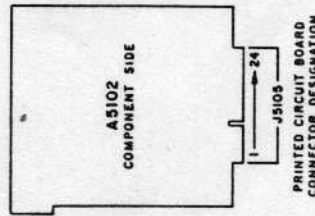


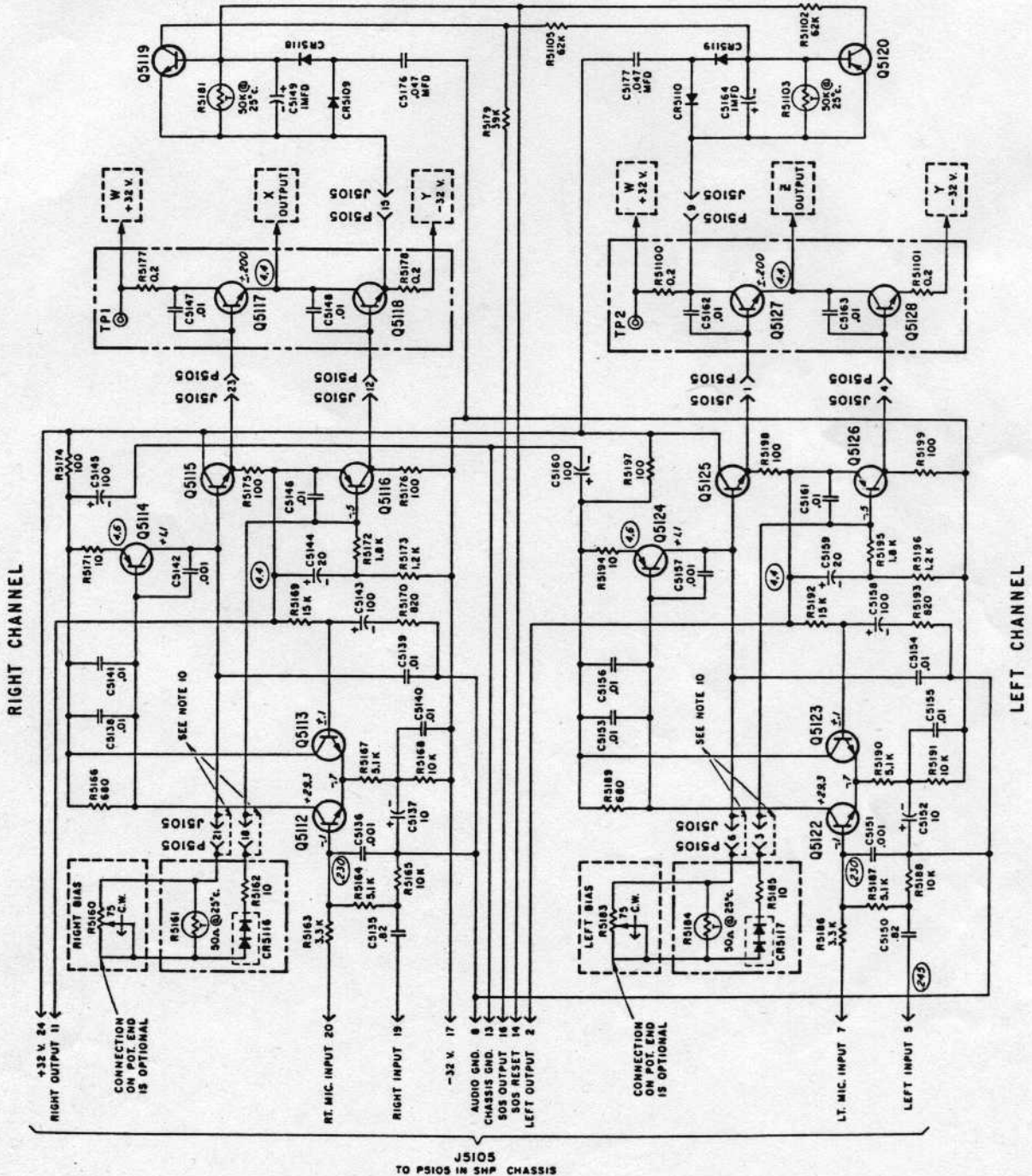
ELECTRONIC UNITS

Types SHP1 & SHP3, DRIVER SCHEMATIC DIAGRAM

- NOTES:
1. ALL RESISTORS ARE IN OHMS UNLESS OTHERWISE SPECIFIED.
 2. ALL CAPACITORS ARE IN MICROFARADS UNLESS OTHERWISE SPECIFIED.
 3. ALL POT. ROTATION SHOWN AS VIEWED FROM OUTSIDE OF CHASSIS.
 4. DC VOLTAGES WERE MEASURED TO VOLTMETER WITH LOAD OF 32 OHM IMPEDANCE FOR SIGNAL GENERATOR.
 5. PROPER SIGNAL GENERATOR IMPEDANCE FOR SIGNAL VOLTAGES IS 1000Ω.
 6. A.C. SIGNAL VOLTAGES SHOWN ENCLOSED IN CIRCLES WERE MEASURED WITH A 245 V. 1000 Hz INPUT SIGNAL APPLIED TO JS103-3 AND JS105-19 USING A 5 MEGOHM INPUT VTVM.
 7. PARTS SHOWN WITH --- ARE MOUNTED ON POWER AMPLIFIER SUB-ASSEMBLY PART NO. 70-319320.
 8. PARTS SHOWN WITH - - - - ARE MOUNTED IN SHP CHASSIS.
 9. W.X.Y.Z DENOTES CONNECTIONS MADE WITHIN THE SHP CHASSIS. SEE SCHEMATIC NO. 0N-319254.
 10. WIRES FROM POWER AMPLIFIER SOLDERED TO DRIVER BOARD.



0-1710 (319306-20)



JS105 TO P5105 IN SHP CHASSIS