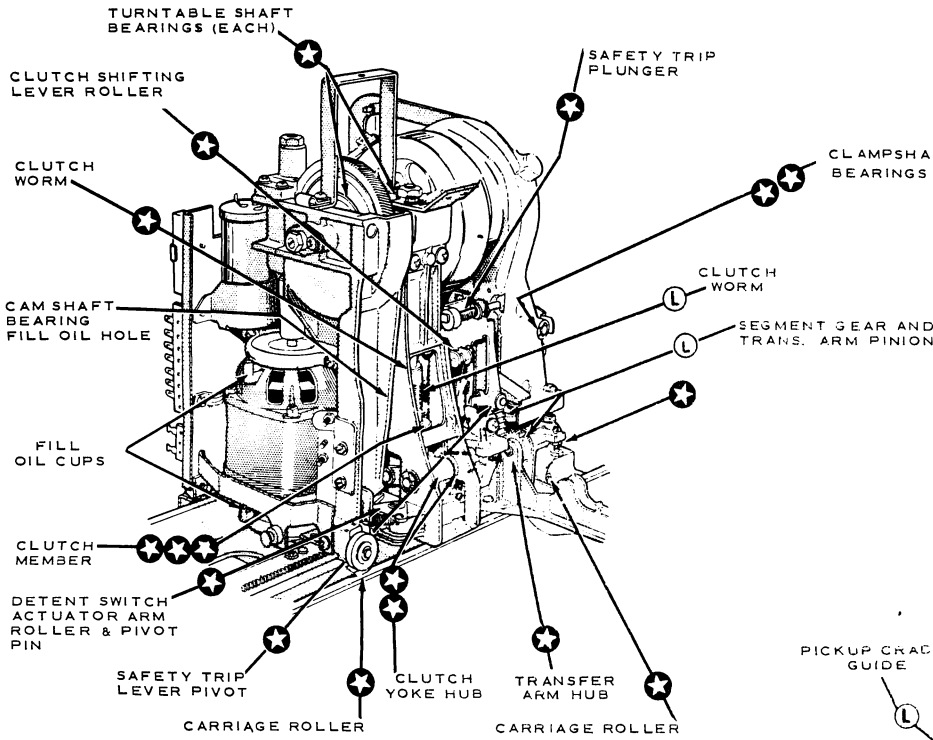


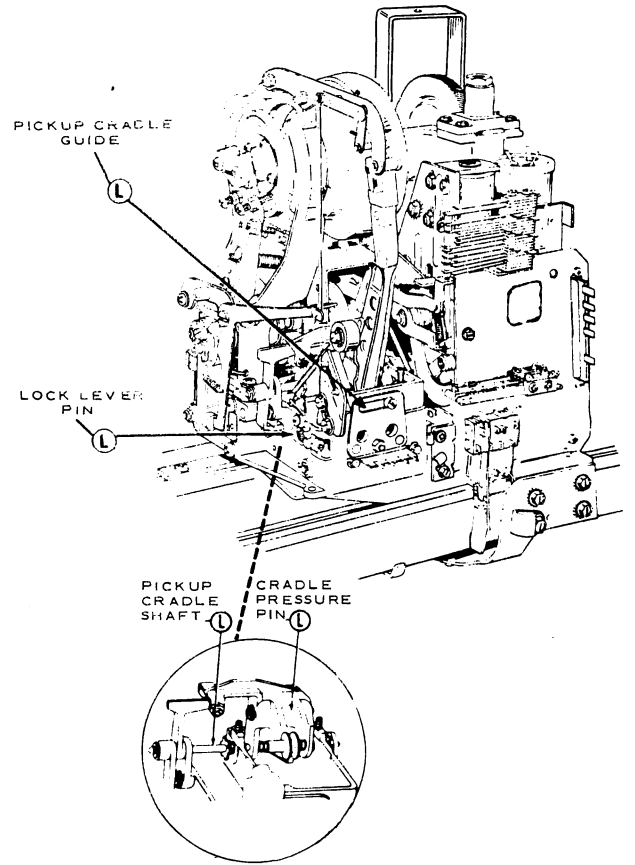
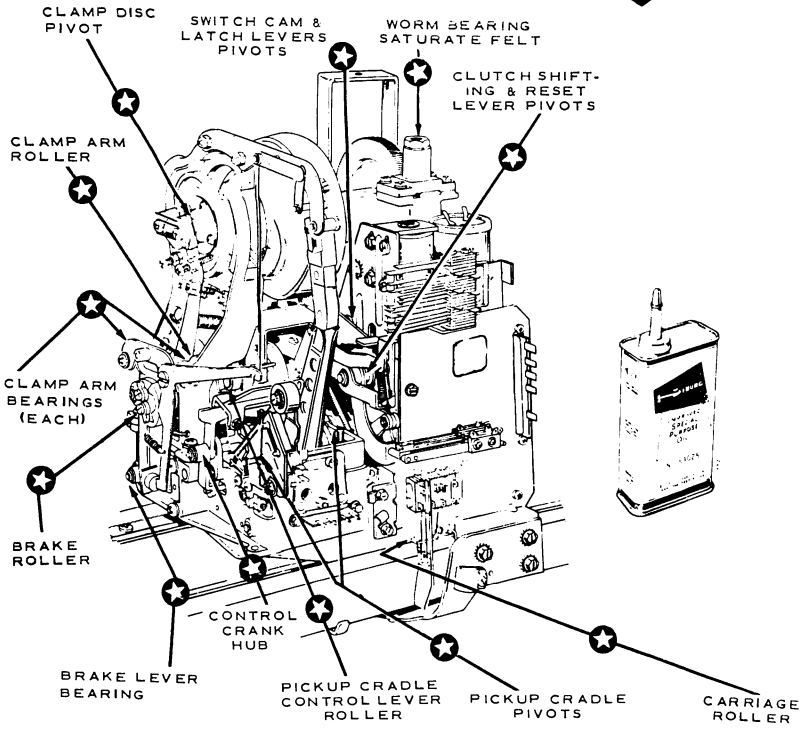
SEEBURG LUBRICATION CHART



OIL ALL ROLLER PIVOT BEARINGS - 1 OR 2 DROPS

USE AERO LUBRIPLATE** SPARINGLY EVERY SIX MONTHS

USE SEEBURG IMPROVED SPECIAL PURPOSE OIL - EVERY SIX MONTHS IN AMOUNT SHOWN 1 DROP FOR EACH



*SEEBURG IMPROVED SPECIAL PURPOSE OIL NO. 53025 MAY BE OBTAINED FROM YOUR SERVICE PARTS DEPARTMENT AT YOUR DISTRIBUTOR.

** AERO LUBRIPLATE NO. 53006 MAY BE OBTAINED FROM YOUR SERVICE PARTS DEPARTMENT AT YOUR DISTRIBUTOR.

SEEBURG improved special purpose oil

• • • • IN A HANDY HALF - PINT TOOL KIT SIZE CAN

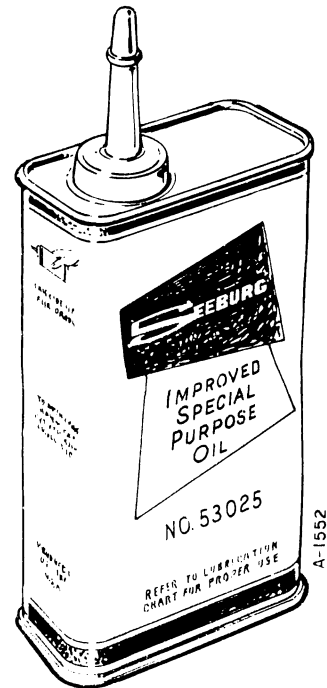
SEEBURG IMPROVED SPECIAL PURPOSE OIL is a premium quality, first line lubricating oil in a container that provides maximum economy consistent with a convenient tool-kit size. Its high quality makes it suitable for many different applications but it is intended especially for lubricating the Select-O-Matic "100", "160" and "200" mechanisms as shown on equipment lubrication charts. Some of the advantages of this oil are:

HIGH STABILITY: Solvent refined base stock plus oxidation inhibitor makes possible exceptional resistance to chemical change. It does not easily sludge, become acid, increase in viscosity, or form varnish. This is important when an oil is used for long periods without periodic equipment cleaning.

HIGH VISCOSITY INDEX is a feature that indicates the oil does not thin excessively at high temperatures or thicken excessively at low temperatures. This is important when equipment is started at low temperatures and avoids loss of lubrication due to thinning at high temperatures.

NON-FOAMING: This Seeburg Oil contains an effective defoaming additive. Important in gear cases.

RUST PREVENTION: A corrosion and rust inhibitor is added that plates out on metal surfaces and prevents chemical attack of them.



LOW POUR POINT: Waxy constituents are removed in manufacture and pour point depressant additive is incorporated.

PHYSICAL PROPERTIES of oils do not indicate the quality but they do provide data on performance. The Seeburg Improved Special Purpose Oil has the following specifications:

Minimum Flash Temperature	370° F.
Maximum Pour Temperature	-20° F.
Viscosity at 100° F. (Saybolt Sec.)	150

- NOTICE -

TO USE OLD PRVC4 POWERED REMOTE VOLUME CONTROLS WITH THIS PHONOGRAPH, PERFORM THE FOLLOWING REWORK:

1. REMOVE THE VC4 VOLUME CONTROL ASSEMBLY FROM THE BACK WALL OF THE PHONOGRAPH CABINET.
2. CUT THE WHITE, BROWN & BLACK WIRES FROM THE 3 PIN CONNECTOR ON THE VC4 CLOSE TO THE CONNECTOR HOUSING.
3. CUT THE RED & GREEN WIRES FROM THE 3 PIN CONNECTOR ON THE PRVC CLOSE TO THE CONNECTOR HOUSING. DISCARD CONNECTOR HOUSING.
4. STRIP FREE ENDS OF ALL 5 WIRES APPROX. 3/8 INCHES.
5. ASSEMBLE THE PRVC4 TO THE VC4 IN THE NORMAL MANNER AND INSTALL THIS ASSEMBLY TO THE PHONOGRAPH IN THE USUAL WAY.
6. MOUNT THE 5 TERMINAL BARRIER STRIP ON OR NEAR THE PRVC GEAR HOUSING.
7. CONNECT FREE ENDS OF ALL 5 WIRES TO THE 5 TERMINAL BARRIER STRIP.

