

5

4

2

1

D

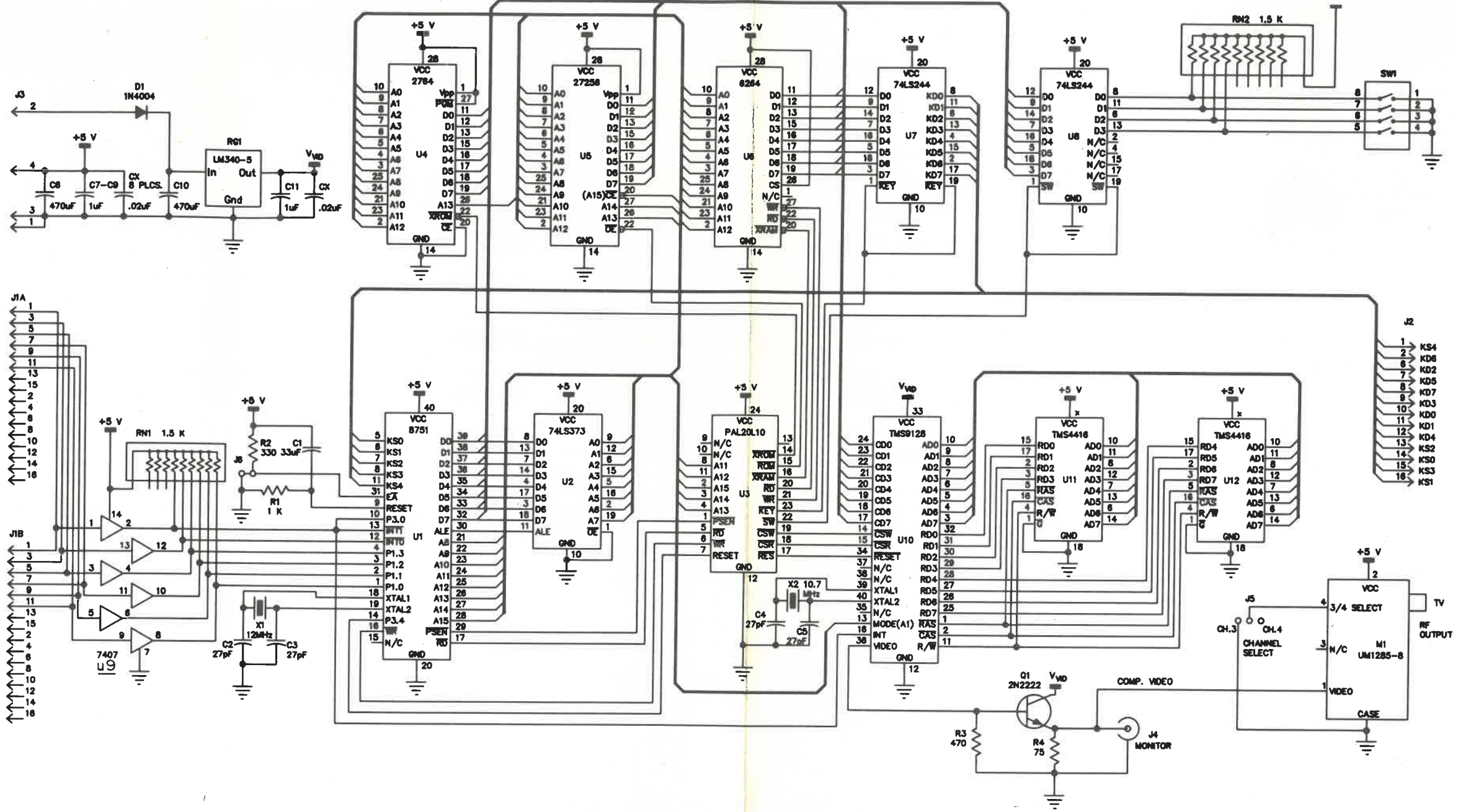
D

C

C

B

A



DWG No. 2500/0075

merit industries, inc.

TITLE
DRT-900 SCHEMATIC

SIZE **B** CODE IDENT NO. DWG NO.
2500/0075

SCALE — WEIGHT — SHEET 1 OF 1

ZONE	LTR	ECN. NO.	DESCRIPTION	CHK	DATE	APPROVED
—	∅	—	INITIAL RELEASE		9-29-87	<i>[Signature]</i>
REVISIONS						

DO NOT SCALE THIS PRINT

5

4

REV