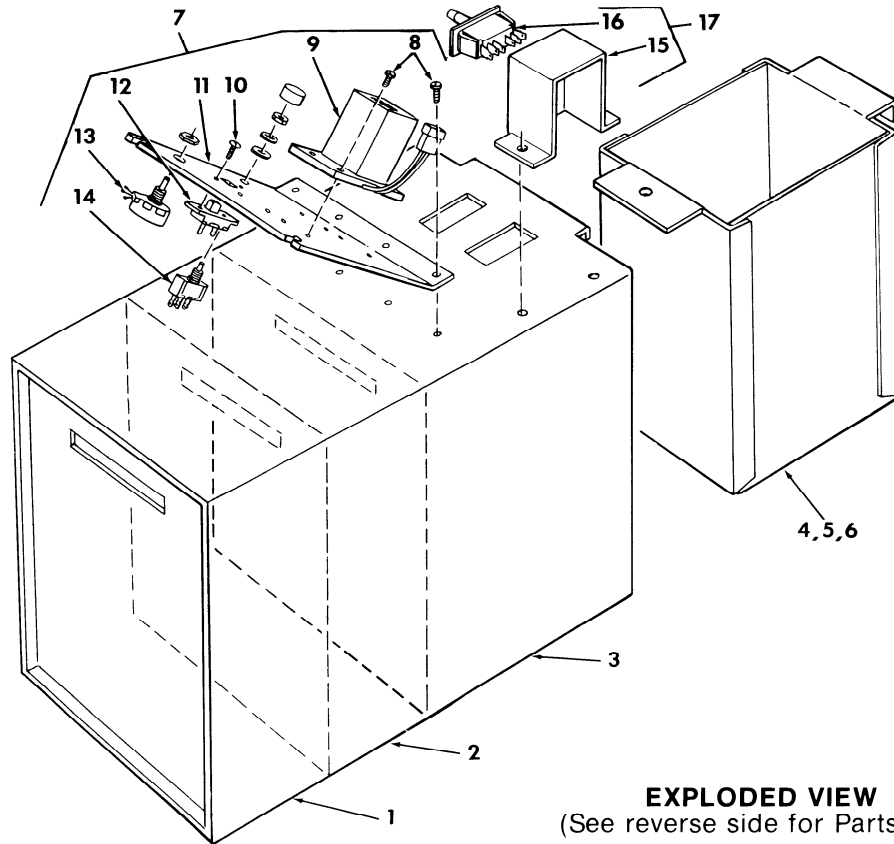




2822 GAME DOOR CASH BOX ASSY.



EXPLODED VIEW
(See reverse side for Parts List)

CASH BOX AND ENCLOSURE ASSEMBLIES

Index No.	Part No.	Specifications
1 & 4	404837-3	CAPACITY \$800.00 in quarters and tokens DIMENSIONS Height 9-7/16-Inches Width 9-Inches Depth 12-3/4-Inches SHIPPING WEIGHT 12 Pounds
2 & 5	404837-4	CAPACITY \$600.00 in quarters and tokens DIMENSIONS Height 9-7/16-Inches Width 9-Inches Depth 9-3/4-Inches SHIPPING WEIGHT 10 Pounds
3 & 6	404837-5	CAPACITY \$400.00 in quarters and tokens DIMENSIONS Height 9-7/16-Inches Width 9-Inches Depth 6-3/4-Inches SHIPPING WEIGHT 8 Pounds

PARTS LIST FOR 2822 GAME DOOR CASH BOX AND ACCESSORY PANEL ASSEMBLIES

Index No.	Part No.	Description
1	404698-3	12-Inch Enclosure
2	404698-4	9-Inch Enclosure
3	404698-5	6-Inch Enclosure
4	404699-3	12-Inch Cash Box
5	404699-4	9-Inch Cash Box
6	404699-5	6-Inch Cash Box
*7	404668	Accessory Panel Assembly
8	217-6-6	Screw
9	404352	Counter Assembly (6vdc)
	404352-1	Counter Assembly (12vdc)
	404352-2	Counter Assembly (4.5vdc)
	404352-3	Counter Assembly (10vdc)
10	216-8-6	Screw
11	905650	Accessory Bracket
12	905794	Slide Switch
13	905795	Potentiometer
14	905793-3	Pushbutton Switch
15	905649	Interlock Bracket
16	905796	Interlock Switch
17	404805	Interlock Assembly

*** Accessory Panel can be customized to meet the requirements of any Customer. Accessory Panel components can be pre-wired as required for any harness.**



COIN ACCEPTORS, INC.
4946 DAGGETT AVE.
ST. LOUIS, MISSOURI 63110
800-325-2646

COIN ACCEPTORS, CANADA
868 PROGRESS AVE.
SCARBOROUGH (TORONTO), ONTARIO M1H 2X7
416-438-6314

COINCO PUBLICATION NO. 906128 8/82

Printed in U.S.A.