

COIN SELECTOR MODEL 730-A

FEATURES

●BEST SELLER AMONG FRONT-STYLE MACHINES

The Model 730-A is best suited for the 25¢ coin and is a best seller among front-style models, with its surface-treated aluminum front plate.

●PREVENTS CHEATING

This Model, in its ability to identify correct coinage by checking diameter, thickness and material, prevents cheating (fishing string, leaning, etc.).

GENERAL SPECIFICATIONS

- ◆ Applicable Coin Sizes:
 - US 25¢ coin, or
 - Diameter: 21.0mm - 26.0mm
 - Thickness: 1.0mm - 2.31 mm
- ◆ Selection Method:
 - Mechanical
 - (diameter, thickness and material)
- ◆ Fraud Prevention Method:
 - (1) Wire Checker
 - (2) Check Lever
 - (3) Cotton Checker
- ◆ Position in Use: Within 2° of right angle
- ◆ Required Interval of Insertion: 0.5 seconds
- ◆ Coin Counting System: Microswitch
- ◆ Operating Temperatures: -10°C - +60°C
- ◆ Weight: Model 730-A aprx. 1.15 lbs.
- Model 730-A/F37 aprx. 1.08 lbs.

OTHER MODELS IN THIS SERIES

Model 730-A/F37 (front plate = W 40mm X H 117mm)

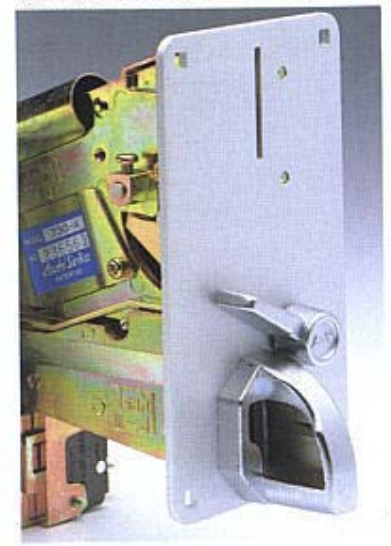


ACCESSORIES

Model QL-103, Coin lockout relay (shown below),
12VDC and 24VDC.



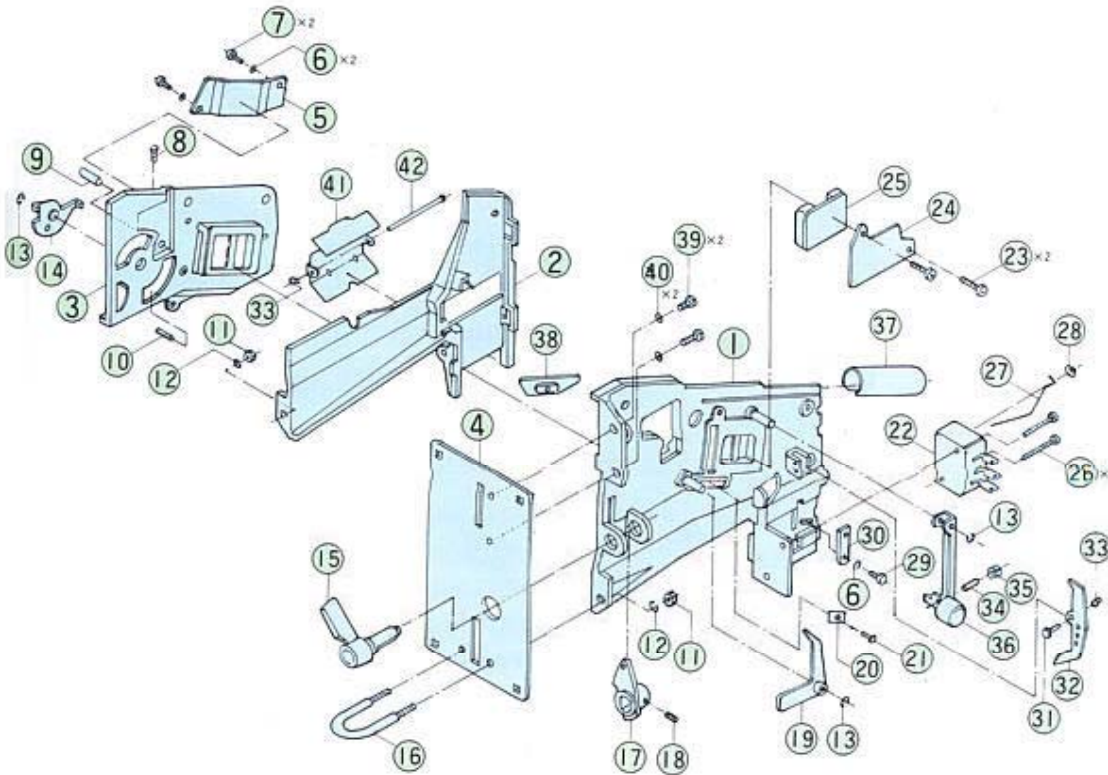
Coin return cover (shown below).



USE "S" COVER

DEFINITIVE FRONT-STYLE, BEST APPLICATION WITH 25¢ COIN.

EXPLODED VIEW



PARTS LIST

No.	Parts Name
1	Base
2	Chute Cover
3	Door Plate
4	Front Plate
5	Yoke
6	M3 SW
7	Screw M3×4
8	Ssrew M3×5
9	φ4 Magnet
10	Screw M3×10
11	Nut M4(BS)
12	M4 SW
13	φ2 E Ring
14	Cradle
15	Cancel Lever
16	Bugel
17	Cancel Cam
18	M4 Set Screw
19	Limit Lever
20	Square Washer
21	Screw M3×8
22	Microswitch
23	Screw M3×3
24	Magnet Cover
25	Magnet
26	Screw M3×18
27	Actuator
28	Retainer
29	Screw M3×6
30	Inner Guide
31	Cotton Checker Pin
32	Cotton Checker
33	φ2 Push Nut
34	Screw M3×8
35	Nut M3(BS)
36	Check Lever
37	Span Spring
38	Coin Rail
39	Screw M3.5×0.5
40	Washer 3.5×7×0.5
41	Wire Checker
42	Wire Checker Pin

TECHNICAL SPECIFICATIONS

