

ARDAC PARTS MANUAL

C8090

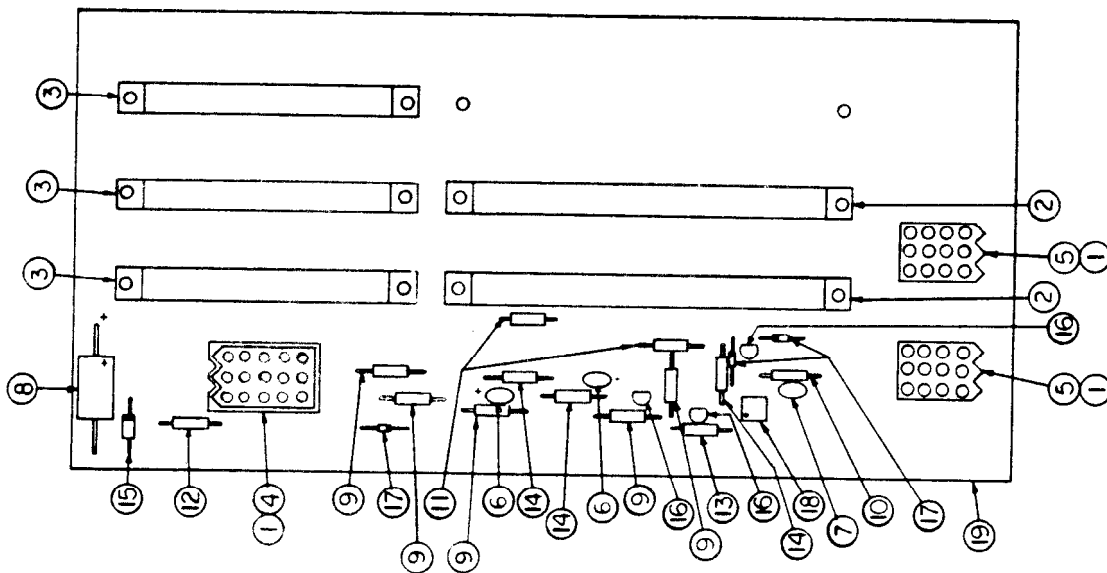
COMPACT BULK-LOADED CHANGER

JANUARY 1983

TWO PIECE (SPLIT) DOOR

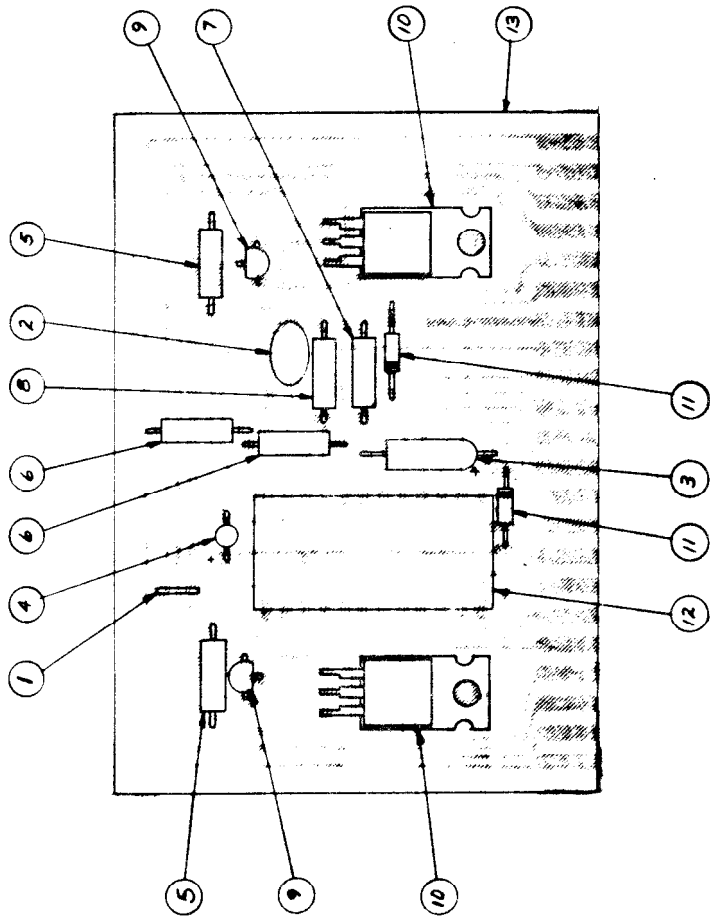
ARDAC

BILL OF MATERIAL			
ITEM	PART NO.	DESCRIPTION	QTY
1	35x51	TERMINAL FEMALE P.C.B. TYPE	39
2	35x85	CONNECTOR, EDGE 22 PIN	2
3	35x87	CONNECTOR, EDGE 19 PIN	3
4	35x88	MOLEX 15 PIN PLUG	1
5	35x122	RECEPTACLE, MOLEX 12 PIN	2
6	53x32	CAPACITOR, 101K 20% 35V.D.C.	2
7	53x37	CAPACITOR, .033UF CERAMIC	1
8	53x64	" .68UF 20% 50VDC	1
9	54x5-102	RESISTOR, 5W ±10% 1K ↓	5
10	54x5-105	" " " 1MEG ↓	1
11	54x5-222	" " " 2.2K ↓	2
12	54x5-270	" " " 27Ω	1
13	54x5-470	" " " 47Ω	1
14	54x5-473	" " " 47K ↓	3
15	56x9	DIODE	1
16	56x17	TRANSISTOR 2N4401	3
17	56x53	DIODE 1N4148	3
18	56x61	MCT 26 OPTO ISOLATOR	1
19	61x105	P.C.B. CONTROL	1



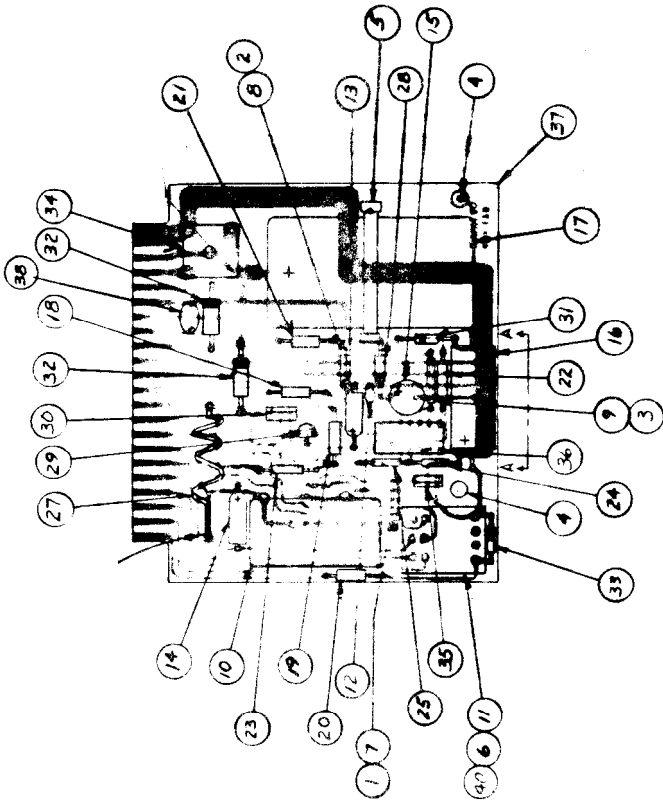
MAIN BOARD		APPROVED BY: [Signature]	DATE: 23 FEB 79	SCALE: N.T.S.	DATE: 01/31/79	DRAWN BY: DB
S.A. CONTROL BOARD		REVISED		REVISED		REVISED
S.A. CONTROL BOARD						2x2236

BILL OF MATERIAL			
ITEM	PART NO	DESCRIPTION	QTY
1	38 x 4	#20 GA. BUSS WIRE	.5*
2	53 x 4	CAPACITOR .1uF	1
3	53 x 23	"	1
4	53 x 39	"	1
5	54 x 5-102	RESISTOR 1/4 W 10% 1000-Ω	2
6	54 x 5-352	"	2
7	54 x 5-475	"	1
8	54 x 7B-624	"	1
9	56 x 17	TRANSISTOR 2N4401	2
10	56 x 28	TRANSISTOR TIP 31A	2
11	56 x 53	DIODE SIGNAL 200 MA IN4148	2
12	56 x 56	CUSTOM I.C.	1
13	61 x 106	P.C. BD. CUSTOM I.C.	1



PART NO. 56-56 REV. 1		DRAWN BY: PS DATE: 9/3/77
DATE: 25EPT77	APPROVED BY:	REVISION:
S. A. CUSTOM I.C. 8D		
ARMAC INC.		DRAWING NUMBER: 2X1126

ITEM	PART NO.	DESCRIPTION	QTY
1	17x36	TEFLON TUBING	.6
2	17x36	"	.48
3	17x36	"	.55
4	21x1	SPACER	2
5	17x1/67	CABLE TIE	2
6	35x52-1*	RELAY SOCKET	1
7	38x18	#24 GA BUSS WIRE	.9
8	38x18	"	.78
9	38x18	"	.85
10	52x18	RELAY	1
11	52x20	RELAY	1
12	53x21	CAPACITOR .01MFD	1
13	53x20	22 MFD 15VDC	1
14	53x23	47 MFD 50V	1
15	53x26	50 MFD 50V	1
16	53x31	470 MFD 25VDC	1
17	53x34	2500 MFD 50VDC	1
18	54x5-273	RESISTOR 1/2W 10% 27000Ω	1
19	54x5-332	" " 3300Ω	1
20	54x5-680	" " 68Ω	1
21	54x38-821	" 15% 820Ω	1
22	54x31-2002	1/8W 1% 20KΩ	1
23	54x31-3620	1/8W 1% 362Ω	1
24	54x31-2371	" " 237KΩ	1
25	54x31-3011	" " 301KΩ	1
26	85x11	SILASTIC	1/2
27	54x43	RESISTOR, MANGANIN WIRE	1
28	56x9	DIODE	1
29	56x17	TRANSISTOR 2N4401	1
30	56x28	TRANSISTOR 2N4401	1
31	56x107	DIODE ZENER 1N 22V 1/4W	1
32	56x57	DIODE 1N4001	2
33	56x53	DIODE SIGNAL 1N4148	1
34	56x56	BRIDGE RECTIFIER VM24B/BR-42	1
35	56x58	REGULATOR UA7812	1
36	56x102	REGULATOR UA783 MANW/AR	1
37	61x173	P.C. BD. 44. POWER SUPPLY	1
38	53x38	CAPACITOR 680PF	1
39	80x278	POWER SUPPLY BD CAUTION LABEL	1
40	35x52-2*	RETAINER SPRING	1



POWER SUPPLY BOARD

SCALE: NTS

DATE: 8-JUNE-77

APPROVED: [Signature]

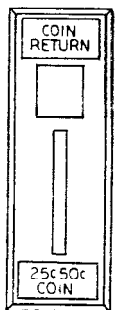
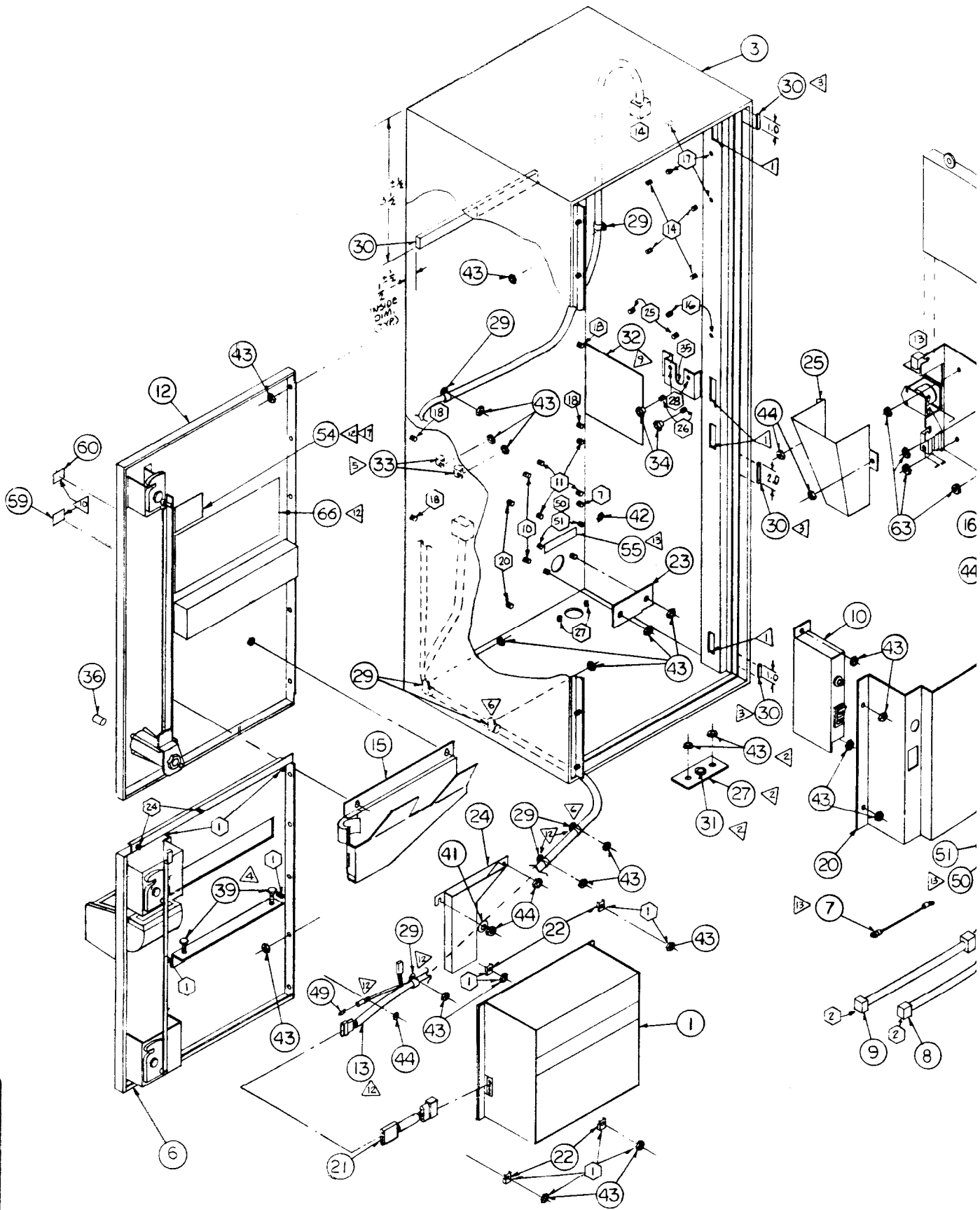
DESIGNED BY: AS

REVISED:

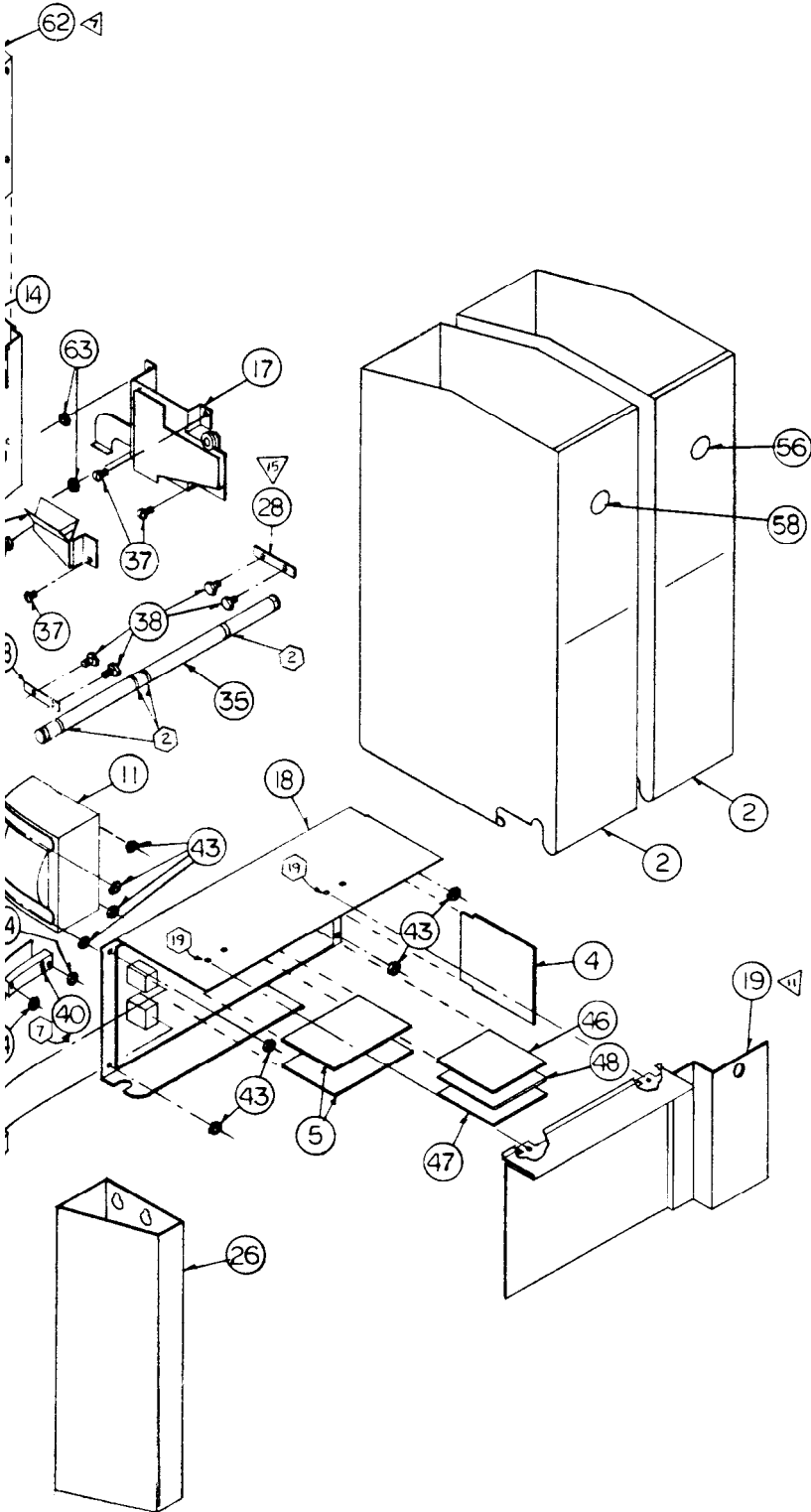
J.A. POWER SUPPLY BD (U.L.)

ORD. NO. 2-1731

ARAC INC.



DETAIL 'A'

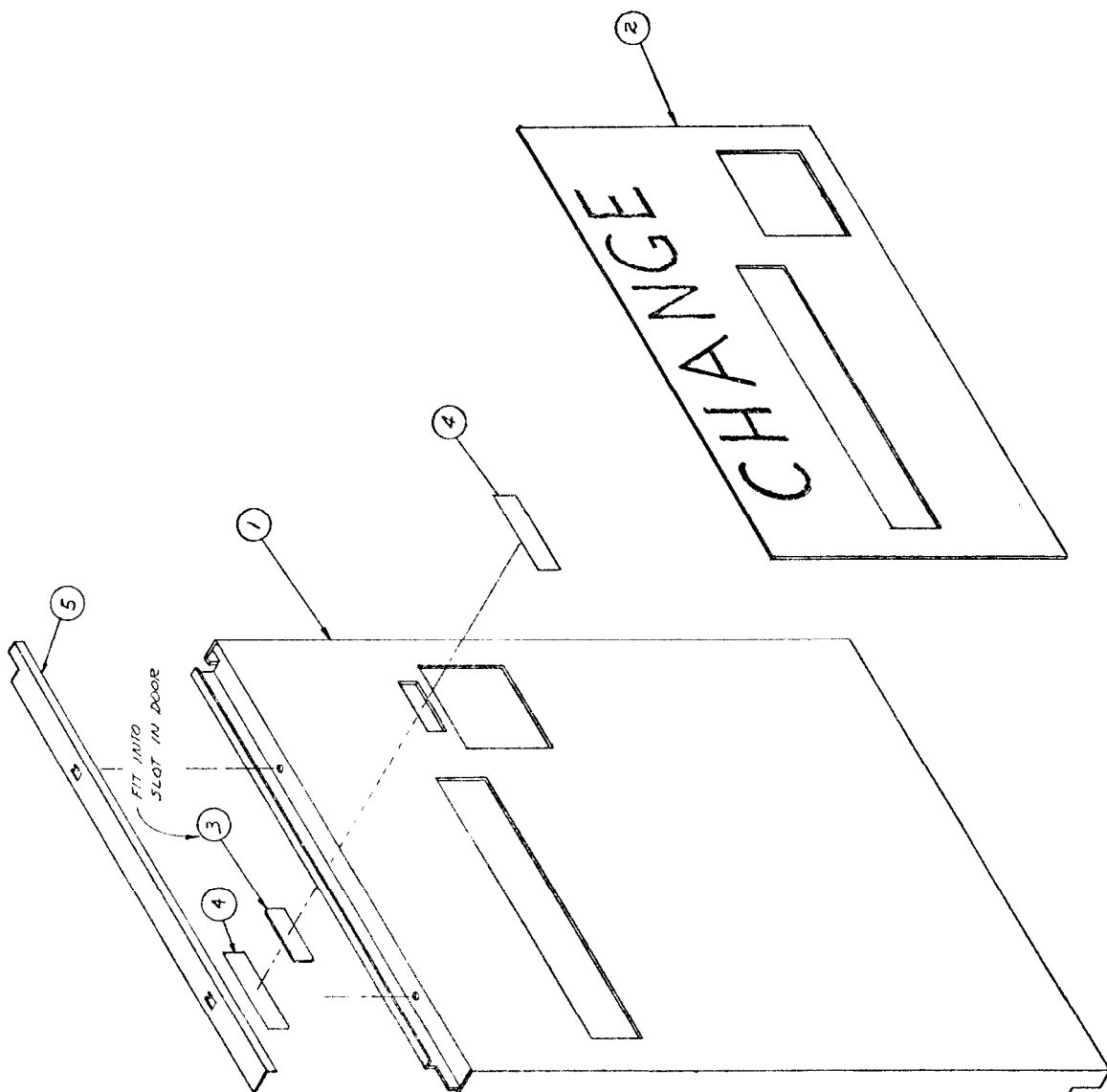


BILL OF MATERIAL

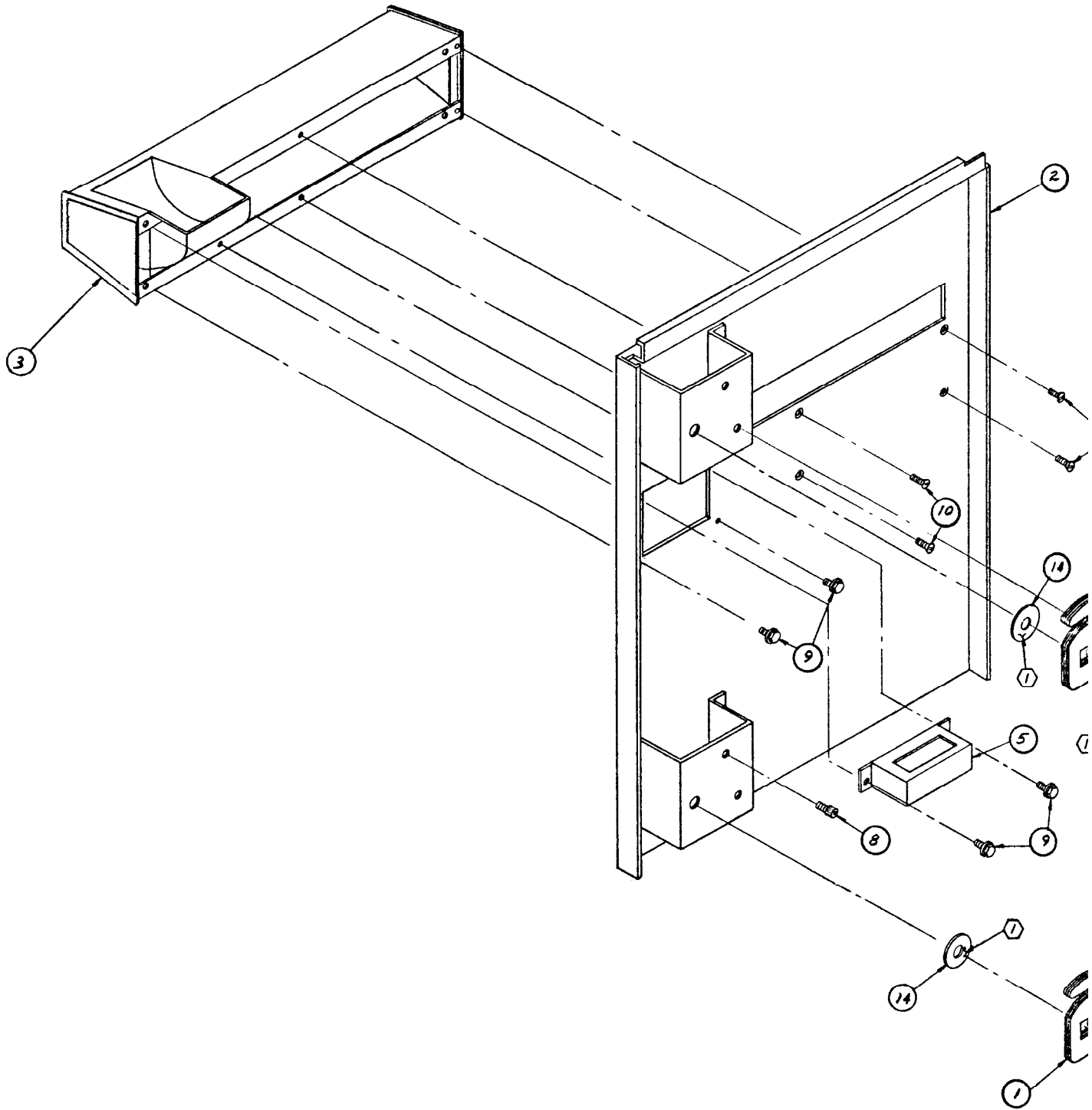
ITEM	PART NO.	DESCRIPTION	QTY
1	VARIOUS	NOTE ACCEPTOR	1
2	1x134	HOPPER PAYOUT ASSY	2
3	1x136-1	CABINET BODY ASSY	1
4	2x1731	S.A. POWER SUPPLY P.C. BOARD	1
5	2x1126	S.A. CUSTOM I.C. P.C. BOARD	2
6	2x2250	S.A. LOWER DOOR	1
7	2x1794	S.A. GROUND JUMPER WIRE	1
8	2x1795-1	S.A. CONTROL TO HOPPER HARJN (11')	1
9	2x1795-2	S.A. CONTROL TO HOPPER HARJN (15')	1
10	2x2127	S.A. MTG CHANNEL W/SW. CKT BRKR	1
11	2x2128	S.A. TRANS FORMER	1
12	2x2198	S.A. UPPER DOOR W/COIN ENT ESC.	1
13	2x2203	S.A. MAIN CABINET HARNESS	1
14	2x2207	S.A. COIN ACCEPTOR MTG CH'NL	1
15	2x2208	S.A. UPPER CHUTE W/REJECT CHUTE	1
16	2x2209	S.A. REJECT COIN CHUTE CAB'NT MTD	1
17	2x2215	S.A. COIN ENT. CHUTE & REJECT ARM	1
18	2x2212	S.A. CONTROL CKT PANEL COMP	1
19	2x2213	S.A. CONTROL CKT PANEL COVER	1
20	2x2214	S.A. POWER SUPPLY COVER	1
21	2x2233	S.A. ACCEPTOR HARJN. EXTENSION	1
22	11x526	ACCEPTOR CLAMP	4
23	11x710	LINE CORD ENTRANCE PLUG	1
24	11x712	LOWER CHUTE ASSY	1
25	11x825	ACCEPT COIN CHUTE TO COIN BOX	1
26	11x826	COIN BOX	1
27	12x153	PLATE, LINE CORD ENTRANCE	1
28	12x272	PLATE, HOP. SUPPORT ROD RETAINER	2
29	17x46	CABLE CLAMP, .375 I.D.	7
30	17x130-2	FOAM PAD	3
31	17x226	BUSHING STRAIN RELIEF	1
32	17x347	TAPE ELECTRICAL 4" WIDE	4'
33	17x384	CABLE CLAMP .50 I.D.	2
34	20x329	SHOULDER NUT	2
35	20x332	HOPPER SUPPORT ROD	1
36	29x28-101	LOCK CYLINDER	1
37	30x74	*4.40 x .25 R.H. SEMS	3
38	30x87	*8-32 x .25 H.H.M.S. (SEMS)	4
39	30x99	*8-32 x .75 H.H.M.S.	2
40	30x156	*6-32 x .25 P.H.M.S. (GREEN)	2
41	31x34	SLIDE LOCKWASHER	1
42	31x37	*8 EXT. TOOTH LOCKWASHER	1
43	32x21	*8-32 KEPS NUT	41
44	32x22	*4-40 KEPS NUT	8
45	38x24	LINE CORD	1
46	51x113	25¢ PROGRAM CARD	1
47	61x180	\$ PROGRAM CARD	1
48	61x229	50¢ PROGRAM CARD	1
49	65x145	LAMP, 14 V. MID. WEDGE BASE # 23	1
50	65x143-1	SPT. BARRIER BLOCK TERM. STRIP	1
51	65x143-2	SPT. NUMBER STRIP	1
52	76x25	PLASTIC BAG (SHIPPING MATL. NOT SHOWN)	1
53	76x30	SHIPPING CARTON (NOT SHOWN)	1
54	80x386	LABEL, CHANGER SERIAL	1
55	80x296	LABEL, LINE CORD WIRING	1
56	80x303-5	LABEL, 5¢ (SHIP (1) LOOSE)	2
57	80x303-10	LABEL, 10¢ (SHIP (2) LOOSE)	2
58	80x303-25	LABEL, 25¢ (SHIP (1) LOOSE)	2
59	80x408	LABEL, 25¢, 50¢ COIN	1
60	80x410	LABEL, COIN RETURN	1
61	85x8	LUBRI PLATE	A/R
62	88x184	COIN ACCEPTOR 25¢, 50¢	1
63	32x24	*6-32 KEPS NUT	6
64	40x144	ALLOWABLE AREA FOR MTG COMP. CHGR	1
65	61x193	\$ PROGRAM CARD	1
66	80x416	LABEL, HOPPER INSTRUCTIONS	1
67	12x337-105	PLT, HOPPER SUPT ROD RET. VARI. THK'S	A/R
68	12x337-120	" " " " " " " "	A/R
69	12x337-135	" " " " " " " "	A/R
70	17x46	CABLE CLAMP 3/8 I.D.	1
71	30x48	*6-32 x .312 R.H.M.S	1

SCALE: N.T.S.	APPROVED BY:	DRAWN BY: DB
DATE: 5 MAR 79		REVISED
MODEL C-8790 COMPACT BULK LOADED DOLLAR BILL & 25¢, 50¢ COIN CHGR U.L. LISTED		
ARDAC INC.	PAGE 1 OF 2	DRAWING NUMBER 3x48

BILL OF MATERIAL			
ITEM	PART NO.	DESCRIPTION	QTY
1	2x1784	S.A. LOWER DOOR W/DECOR VINYL	1
2	2x1785	S.A. FEATURE PANEL	1
3	17-398	EMPTY LIGHT DIFFUSER	1
4	17-478	CLEAR MYLAR TAPE	2
5	12X330	TRIM FEATURE PANEL	1

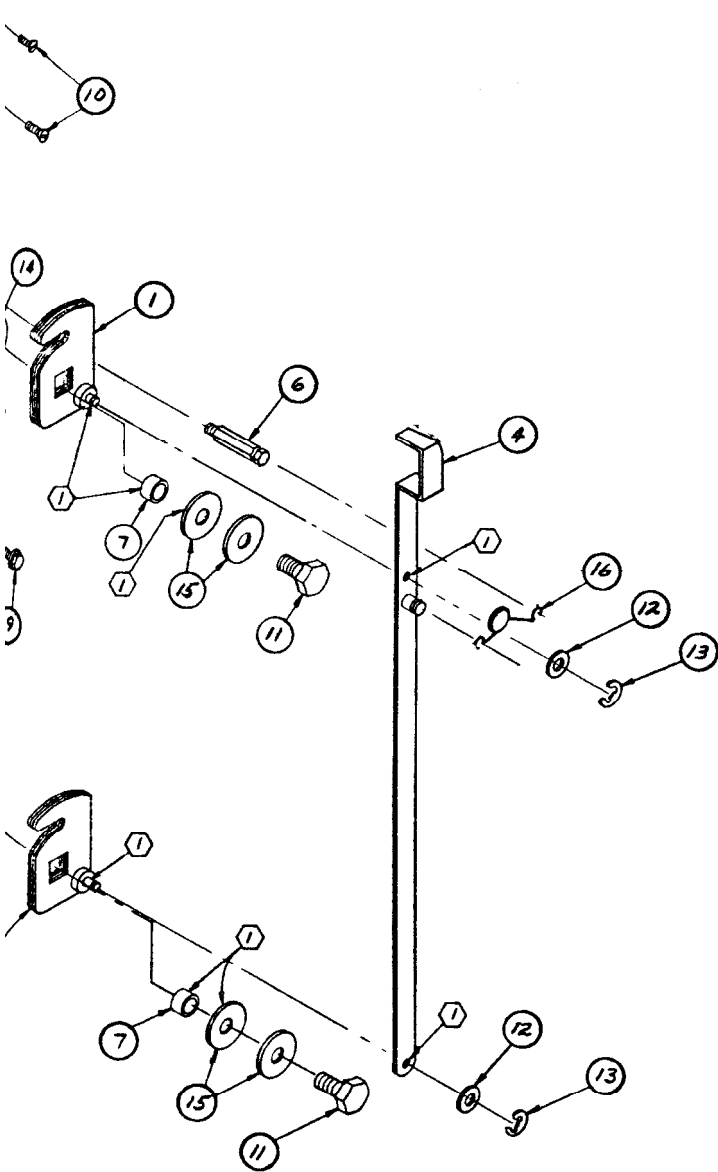


LOWER DOOR, OUTSIDE VIEW	
SCALE: NTS	APPROVED BY: J.P.
DATE: 28 APR 77	APPLIC: 2-1782, 3-37, 5-22
	DESIGNED BY: PS.
	REVISED
S.A. LOWER DOOR W/DECORATIVE MAT'L	
ARDAC INC.	DRAWING NUMBER: 2-1783

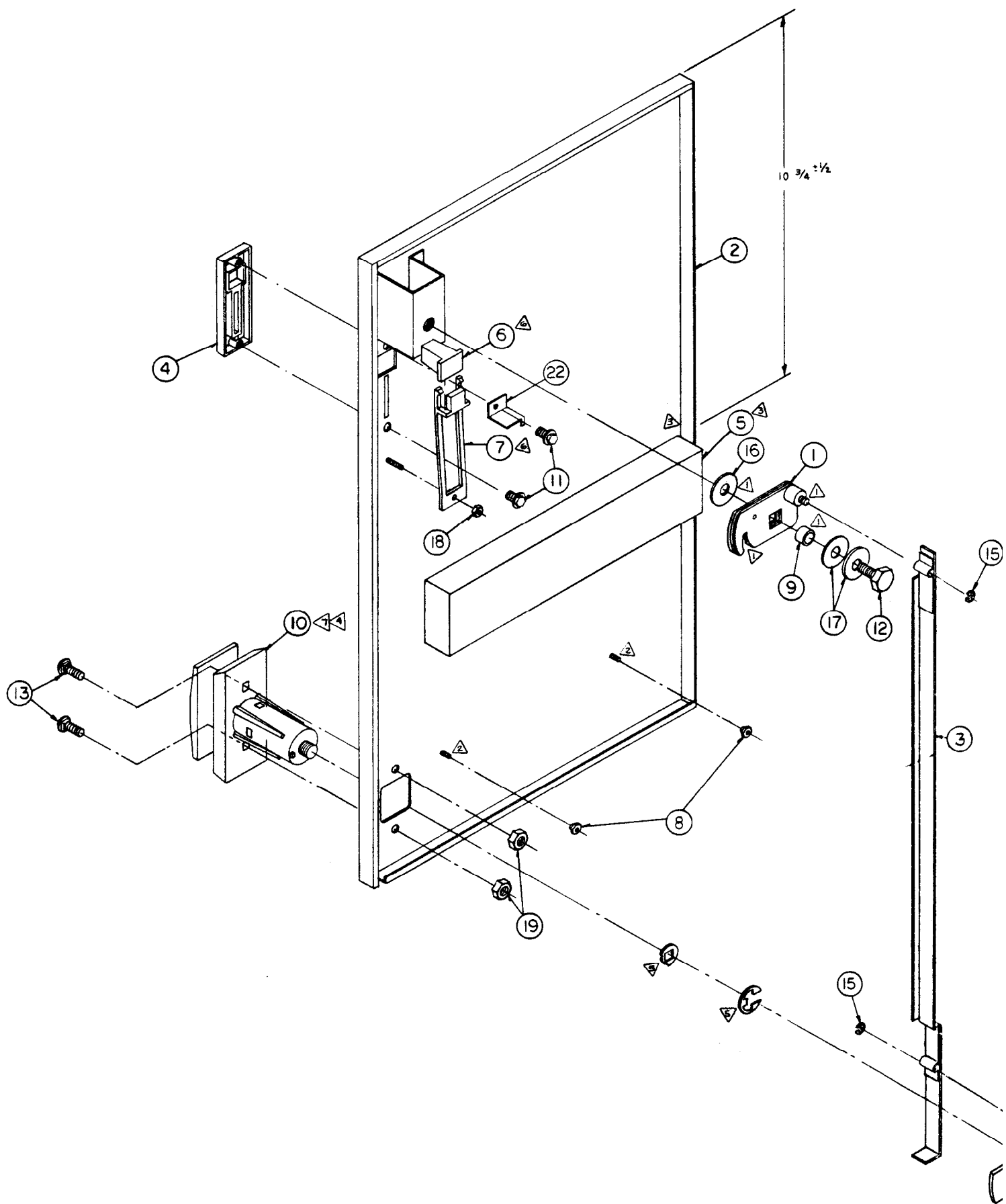


BILL OF MAT'L.			
ITEM	PART NO	DESCRIPTION	QTY
1	2x1781	S.A. LOCK CAM PLATE	2
2	2x1783	S.A. LOWER DOOR 1/4 DECORATIVE MAT'L	1
3	2x1786	S.A. CHANGE DECK	1
4	2x2251	S.A. LOWER DOOR TIE BAR	1
5	11x718	COIN CUP COVER	1
6	20x328	LATCH SPRING STU/D	1
7	20x330	LOCK CAM SPACER	2
8	30x69	*6-32 x 250 ANCH	1
9	30x118	*6-32 x 375 HEX WASHER HD. (TAP-TITE)	4
10	30x133	*6-32 x 375 F.H. SWAGE SCREW	4
11	30x163	.31-18 x .75 LG H.H.C.S.	2
12	31x32	.50 O.D. x .203 I.D. x .048 WASHER	2
13	31x47	WALDES RING	2
14	31x41	.875 O.D. x .32 I.D. x .03 WASHER	2
15	31x42	.875 O.D. x .32 I.D. x .10 WASHER	4
16	33x105	LATCH SPRING	1
17	85x8	LUBRIPLATE	1/2

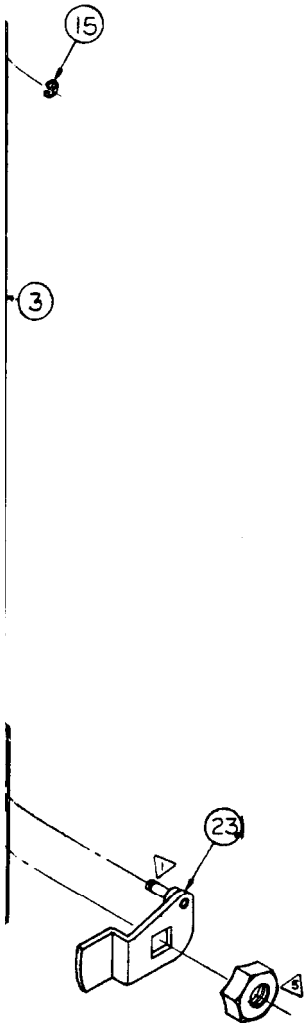
2



LOWER DOOR, INSIDE VIEW		
SCALE: NTS	APPROVED BY: J. CHE BY DB	DRAWN BY: PS
DATE: 9 APR 79	APPLIC: 3448	REVISED:
S.A. LOWER DOOR FOR COMPACT BULK LOADED CHANGERS.		
ARDAC INC.		DRAWING NUMBER: 2x2250

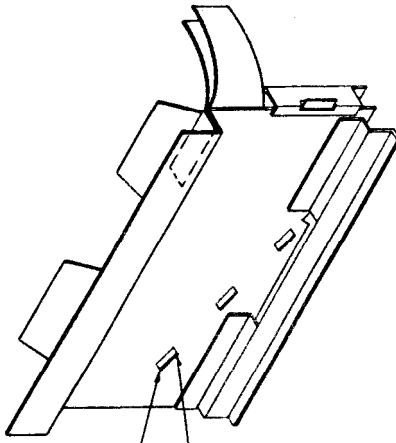
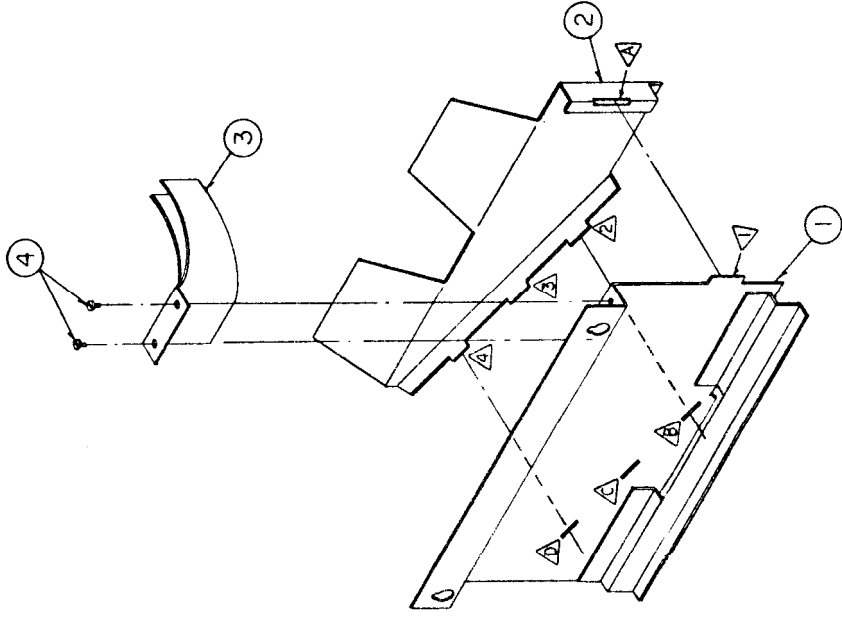


BILL OF MATERIAL			
ITEM	PART NO.	DESCRIPTION	QTY
1	2x2252	S.A. UPPER LOCK CAM PLT.	1
2	2x2199	S.A. UPPER DOOR W/DECOR. VINYL	1
3	11x545	UPPER DOOR TIE BAR	1
4	14x13	COIN ENTRANCE ESCUTCHEON	1
5	17x482	FOAM PAD	1
6	17x538	PUSH BUTTON	1
7	17x545	PUSH BUTTON RETAINER	1
8	20x329	SHOULDER NUT, UPPER CHUTE	2
9	20x330	LOCK CAM SPACER	1
10	29x32	POP-OUT "T" HANDLE	1
11	30x117	*6-32xHEX WASHER HD.	2
12	30x163	.31-18 x.75 HEX. HD. CAP SCREW	1
13	30x182	*10-24 x.75 CARRIAGE BOLT	2
14			
15	31x46	WALDES RING	2
16	31x41	.875 O.D. x .32 I.D. x .03 THK. WASHER	1
17	31x42	.875 O.D. x .32 I.D. x .10 THK. WASHER	2
18	32x22	*4 KEPS NUT	1
19	32x34	*10-24 HEX. NUT	2
20	85x4	LOC-TITE	-
21	85x8	LUBRI-PLATE	-
22	12x315	STOP, PUSH BUTTON	1
23	2x2253	S.A. OFFSET LOCK CAM	1



UPPER DOOR, INSIDE VIEW		
SCALE: N.T.S.	APPROVED BY: <i>S</i> APPLIC: 3248	DRAWN BY: DB
DATE: 12 FEB 79		REVISED
S.A. UPPER DOOR W/COIN ENTRANCE ESCUTCHEON		
ARDAC INC.		DRAWING NUMBER 2x2198


BILL OF MATERIAL			
ITEM	PART NO.	DESCRIPTION	QTY
1	11K748-3	UPPER CHUTE FRONT ASSY.	1
2	11K748-4	UPPER CHUTE BACK	1
3	11K832	CURVED REJECT COIN CHUTE	1
4	30X91	#4-B.POINT .1875 PH. SHT. MTL SCREW	2



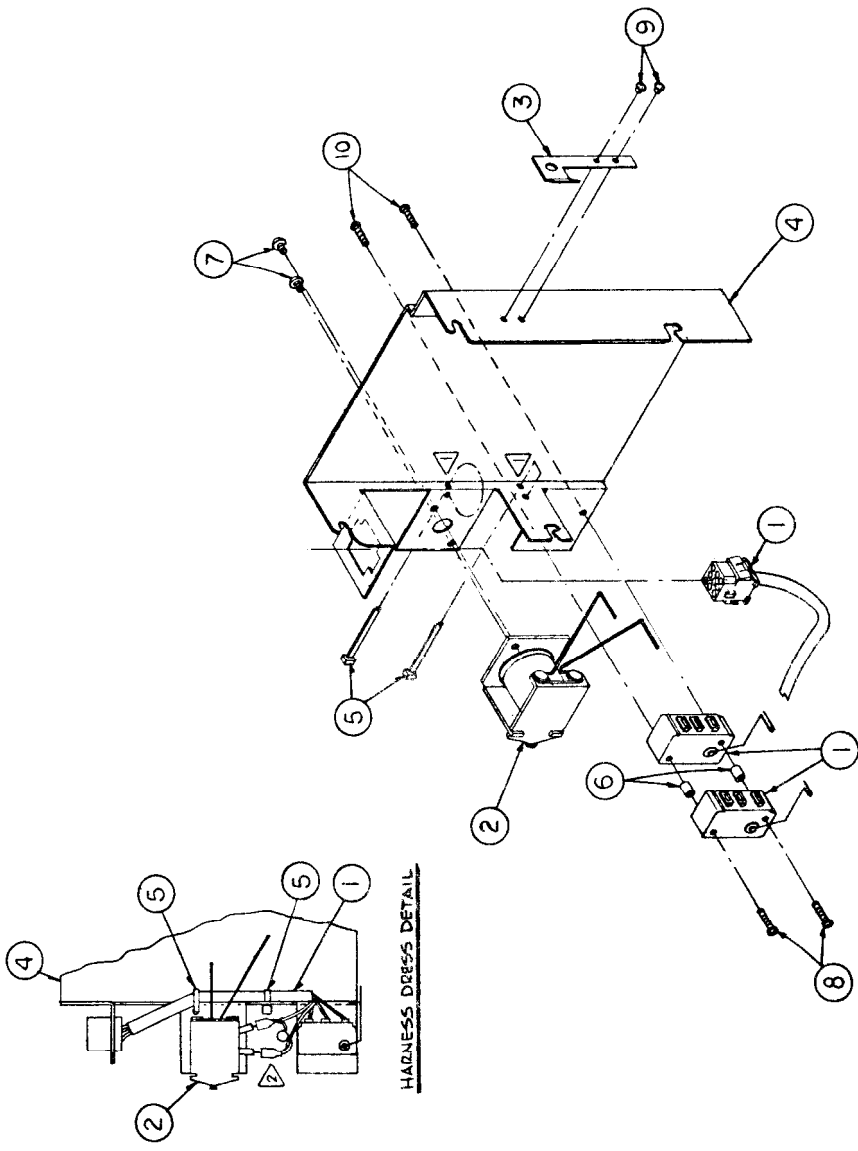
BEND THIS CORNER OF
TAB "UP" (TYP. 3 PLACES)

BEND THIS CORNER OF
TAB "DOWN" (TYP. 3 PLACES)

ASSEMBLED VIEW

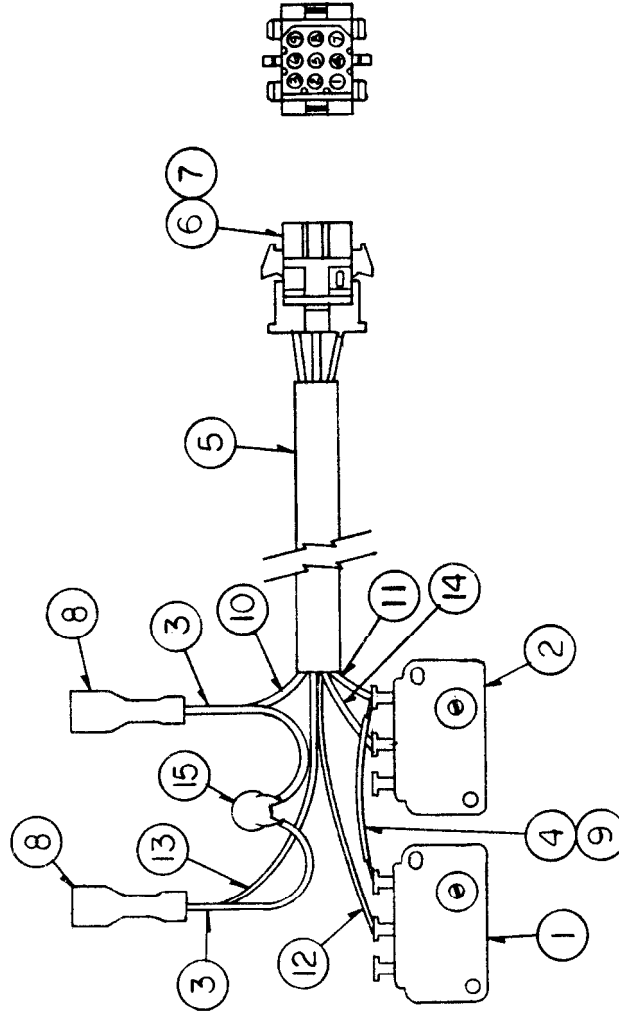
SCALE: N.T.S.	APPROVED BY: 	DRAWN BY: D.B.
DATE: 20 FEB 79	APPLIC: 34-98	REVISED
S.A. UPPER CHUTE w/REJECT COIN CHUTE		
DRAWING NUMBER		2 x 2208
ARDAC INC.		

BILL OF MATERIAL			
ITEM	PART NO.	DESCRIPTION	QTY
1	2x2206	S.A. HARDNESS, BUKOUT & COIN SW.	1
2	9x481	BLOCKOUT COIL	1
3	11x565	RETAINER COIN ACCEPTOR	1
4	11x524	COIN ACCEPTOR MTS CHANNEL	1
5	17x167	CABLE TIE	2
6	21x8	STAND-OFF, SWITCH	2
7	30x10	*6-32 X.25 R.H.M.S.	2
8	30x130	*4-40 X.625 R.H.M.S.	2
9	30x159	RIVET, SEMI-TUBULAR	2
10	30x27	*4-40 X.15 R.H.M.S.	2



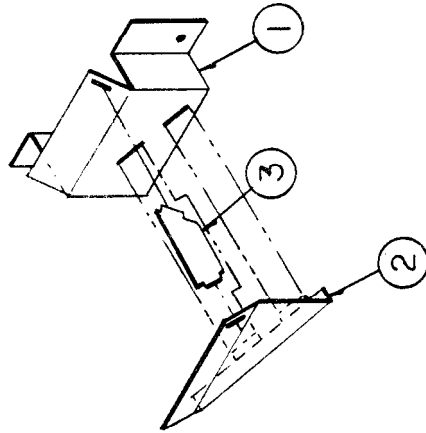
SCALE: N.T.S.	APPROVED BY: [Signature]	DRAWN BY: DB
DATE: 16 FEB 79	APPLD: 9x8	REVISED
S.A. COIN ACCEPTOR MOUNTING CHANNEL		
ARDAG INC.		DRAWING NUMBER: 2x2207

BILL OF MATERIAL				
ITEM	PART NO.	DESCRIPTION	QTY	FROM TO
1	2x2204	S.A. 25¢ COIN SWITCH	1	
2	2x2205	S.A. 50¢ COIN SWITCH	1	
3	17x36	TEFLON TUBING (2RS10)	2	
4	17x36	TEFLON TUBING (1R.6")	1	
5	17x47	#3 BLACK TUBING (4.0")	1	
6	35x77	SOCKET HOUSING	1	
7	35x79	SOCKET CONNECTOR	5	
8	35x115	CONNECTOR BLADE	2	
9	38x4	#22 GAUGE BUSS WIRE (1.0")	1	COM. 25¢ SW, COM. 50¢ SW.
10	38x15-1	#22 AWG WIRE WHT. (6.07L)	1	35x77 PIN 3 35x115
11	38x15-3	" " " RED (6.07L)	1	35x77 PIN 5 COM. 50¢ SW.
12	38x15-6	" " " BLUE (5.57L)	1	35x77 PIN 2 NO. 25¢ SW.
13	38x15-8	" " " ORANGE (6.57L)	1	35x77 PIN 4 35x115
14	38x15-18	" " " WHT/GRAY (6.07L)	1	35x77 PIN 1 NO. 50¢ SW.
15	54x82	VARIATOR	1	35x115 35x115



SCALE: N.T.S.	APPROVED BY: 3	DRAWN BY: DB
DATE: 21 FEB 79	APPLIC: 3x9B	REVISED
S.A. HARNESS, BLOCKOUT COIL & COIN SWITCHES		
ARDAG INC.		DRAWING NUMBER 2x2206

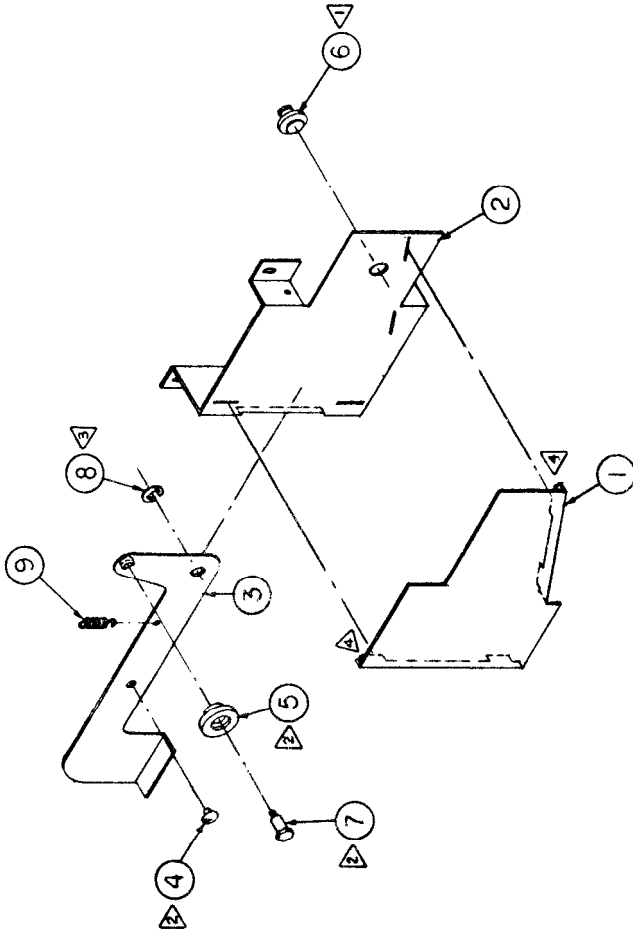
BILL OF MATERIAL			
ITEM	PART NO.	DESCRIPTION	QTY.
1	11x827-1	REJECT COIN CHUTE, FRONT	1
2	11x827-2	REJECT COIN CHUTE, BACK	1
3	11x827-3	REJECT COIN CHUTE, SPACER	1



NOTE:
 INSERT TABS THRU SLOTS AS SHOWN,
 HOLD PCS. TOGETHER TIGHTLY & BEND
 CORNERS OF ALL TABS TO COMPLETE
 ASSEMBLY.

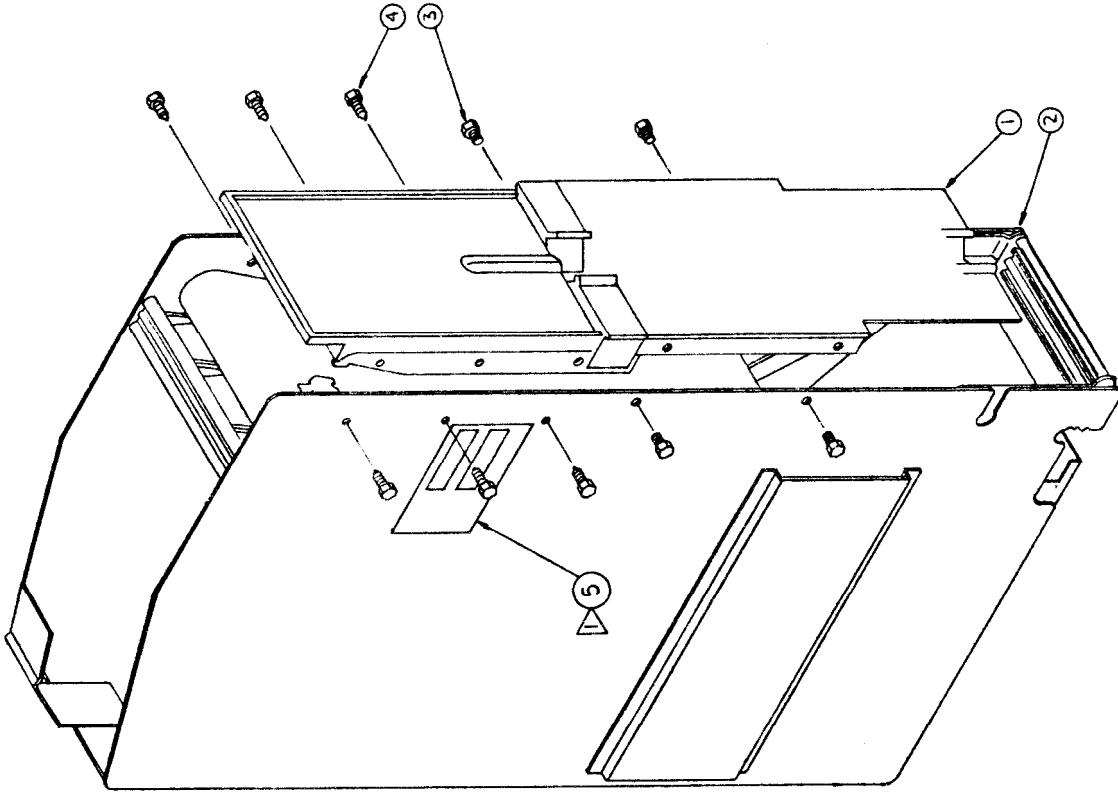
SCALE: N.T.S.	APPROVED BY: <i>[Signature]</i>	DRAWN BY: <i>DB</i>
DATE: 19FEB79	APPLIC: 3x48	REVISED
S.A. REJECT COIN CHUTE CABINET. MTD		
ARDAC INC.		DRAWING NUMBER 2x2209

BILL OF MATERIAL			
ITEM	PART NO.	DESCRIPTION	QTY
1	11x820	COIN CHUTE, ENTRANCE	1
2	11x821	BRACKET, REJECT ARM	1
3	11x823	REJECT ARM	1
4	17x527	GLIDE, NOTE PLATEN	1
5	17x543	FLANGED ROLLER W/ST.ROBE	1
6	20x360	STUD, REJECT ARM	1
7	30x181	SHOULDER SCREW	1
8	31x9	WALDES RING	1
9	33x13	SPRING	1



SCALE: N.T.S.	APPROVED BY: <i>[Signature]</i>	DRAWN BY: D.B.
DATE: 20 FEB 79	APPLIC: S.A.B.	REVISED:
S.A. COIN ENTRANCE CHUTE & REJECT ARM		
ARDAC INC.		DRAWING NUMBER: 2x2215

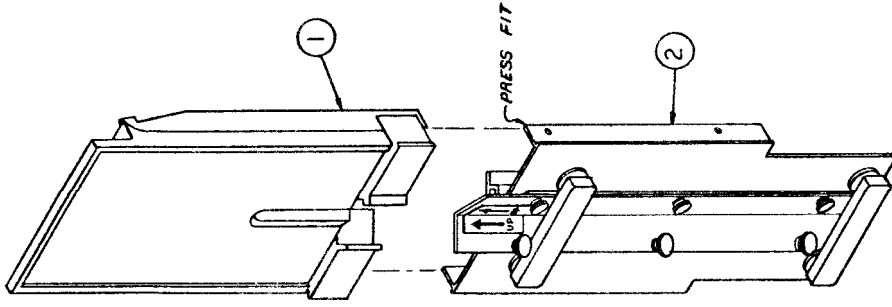
ITEM	PART NO.	DESCRIPTION	QTY
1	2X1598	S.A. COIL CHANNEL	1
2	2X1238	S.A. HOPPER CHASSIS	1
3	30X106	#6-32 X 3/16 IND. HEX. HD. SLOTTED	4
4	30X119	#6 X 1/2 TYPE AB HEX. HD. SLOTTED	6
5	80726-4	LABEL SERIAL NO.	1



HOMER, STANDARD	
SCALE: NTS	APPROVED BY: SLK
DATE: 15 June 76	DRAWN BY: G-44
HOPPER PAYOUT ASSY	
REVISED	
DRAWING NUMBER	
1X134	

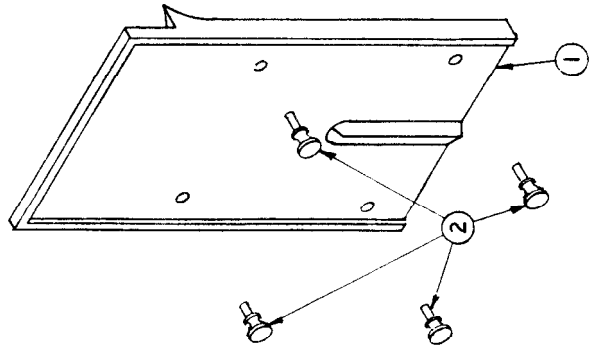
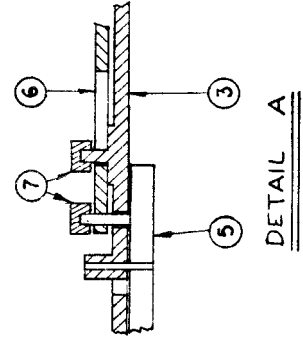
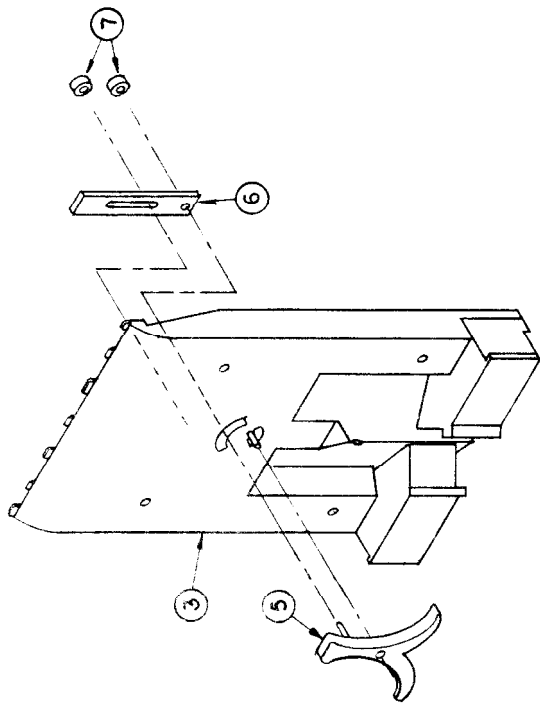
ARDAC INC.

BILL OF MATERIAL			
ITEM	PART NO.	DESCRIPTION	QTY
1	2X2336	S.A. COIN CHANNEL TOP	1
2	2X2298	S.A. COIN CHANNEL BOTTOM	1



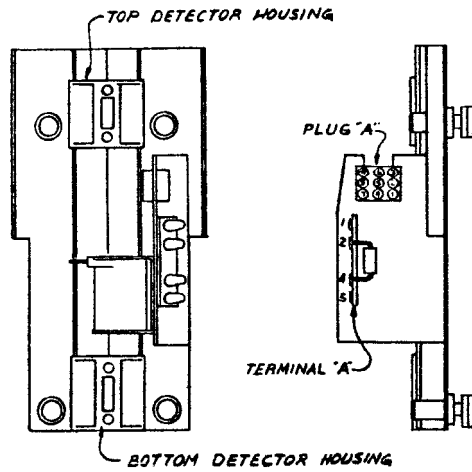
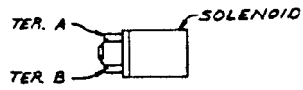
SCALE: N/T/S	APPROVED BY:	DRAWN BY: PS
DATE: 27 JUN 79	APP. G. I. 134	REVISED
S.A. COIN CHANNEL		
DRAWING NUMBER		
2X1595		
ARDAC INC.		

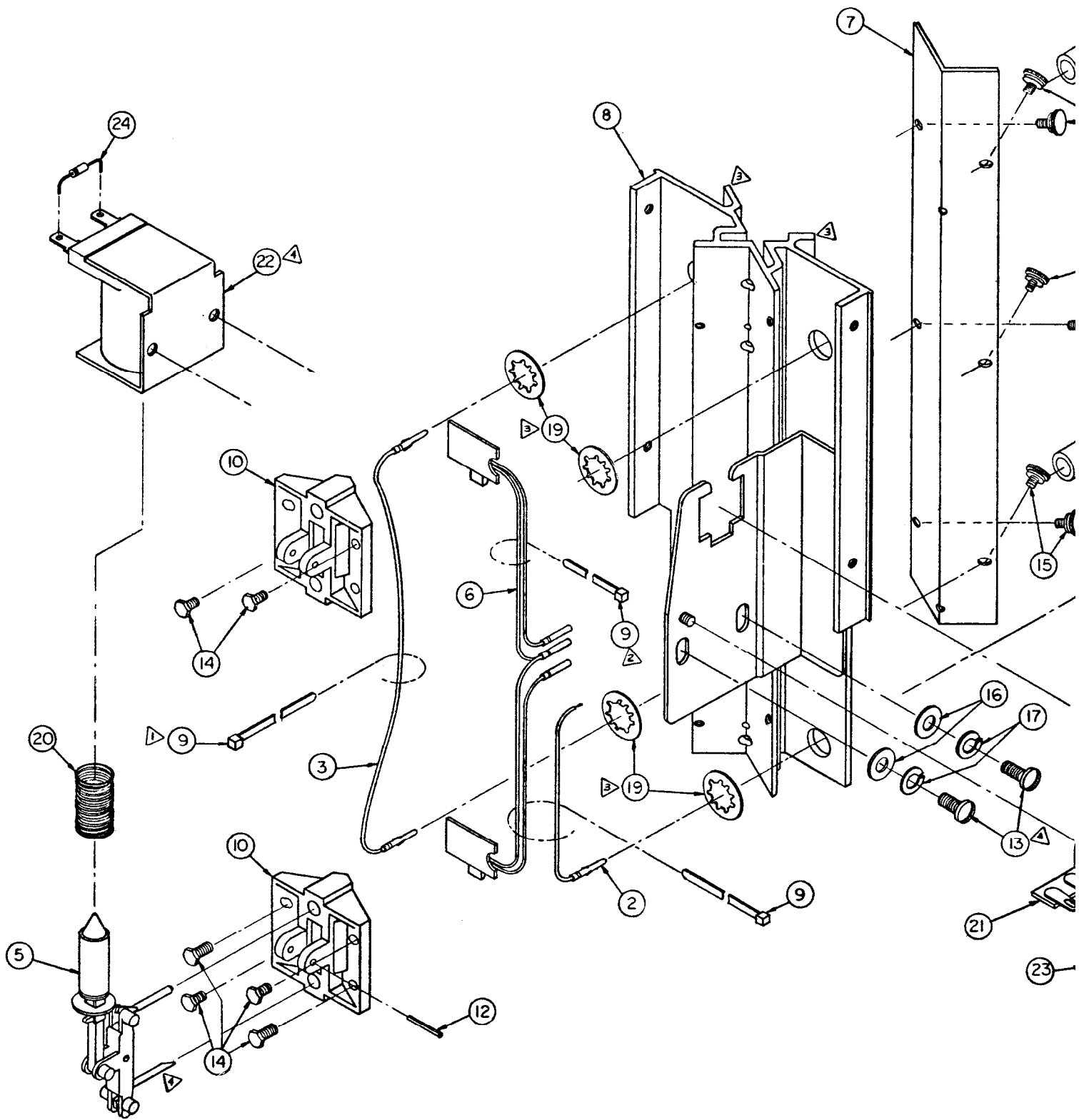
BILL OF MATERIALS			
ITEM	PART NO.	DESCRIPTION	QTY
1	17*301	UPPER CHANNEL FRONT	1
2	30*115	# 6-32 x 1/2 THUMB SCREW	4
3	2*1237	S.A. UPPER CHANNEL BACK	1
4			
5	17*523	FLIP FLOP	1
6	12*335	F/F COUNTERWEIGHT	1
7	17*561	RETAINER CAP	2

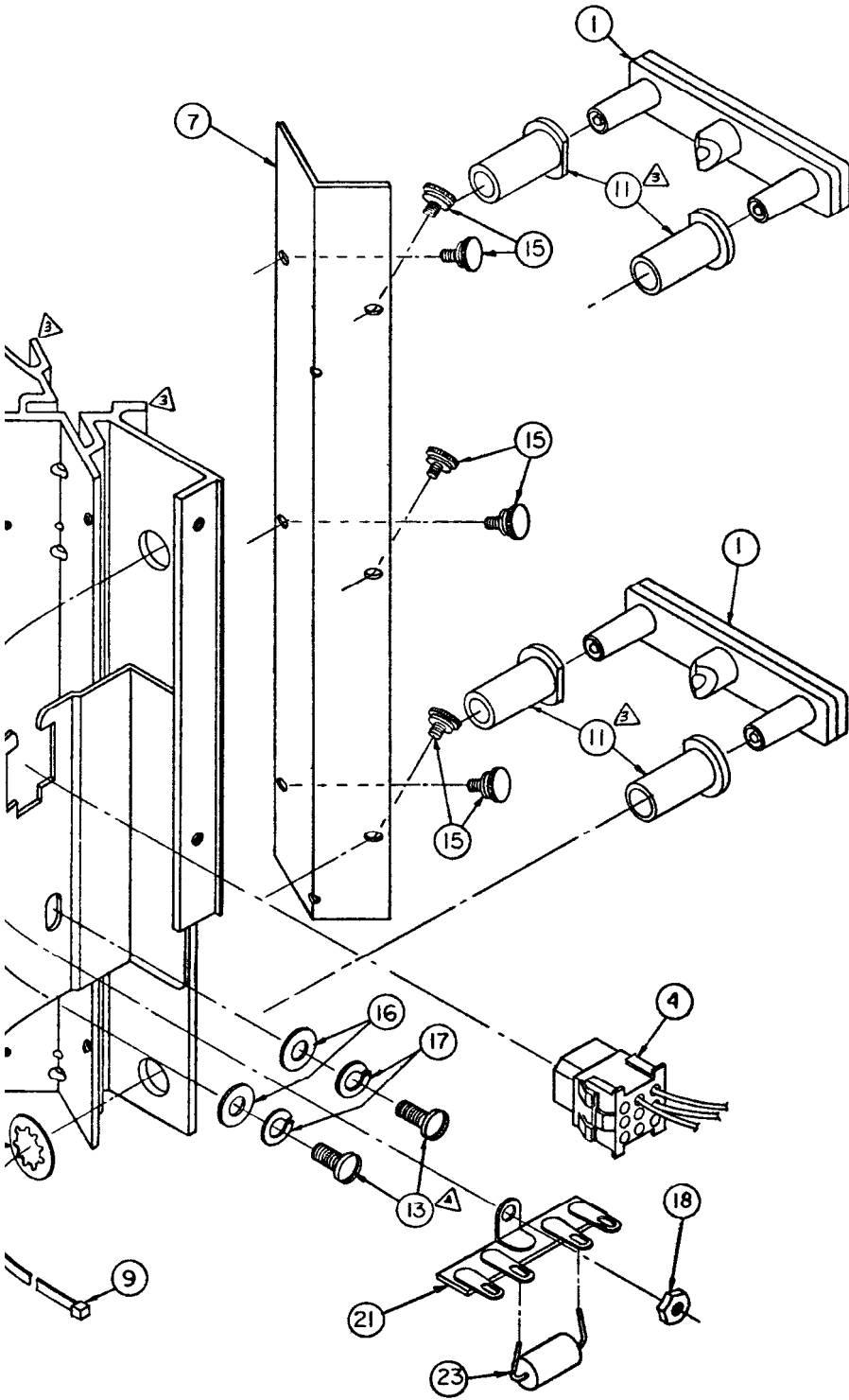


SCALE: N.T.S.		APPROVED BY: <i>F. C. 110 b</i>		DRAWN BY: K.L.S.	
DATE: 20 SEP 79				REVISED	
S.A. COIN CHANNEL TOP					
ARDAG INC.				DRAWING NUMBER 2 x 2338	

WIRE CONNECTION CHART			
COLOR	FROM	TO	REMARKS
BLACK	PT. 2 BOT. DET.	TER 'A' PT. 4	ITEM 2
GREEN	PT. 1 BOT. DET.	PT. 1 TOP DET.	ITEM 3
GREEN	PLUG 'A' PIN 6	PT 2 TOP DET	ITEM 4
GREEN	PT 2 TOP DET.	SOLENOID TER. B	" "
ORANGE	PLUG 'A' PIN 2	TER. 'A' PT. 2.	" "
WHT/BLK	PLUG 'A' PIN 3	SOLENOID TER A	" "
RED (2)	TOP BOT. DET. HSG.	PLUG 'A' PIN 1	ITEM 6
WHT/RED	TOP DET. HSG.	" " " 4	" "
WHT/BLUE	BOT DET. HSG.	" " " 5	" "

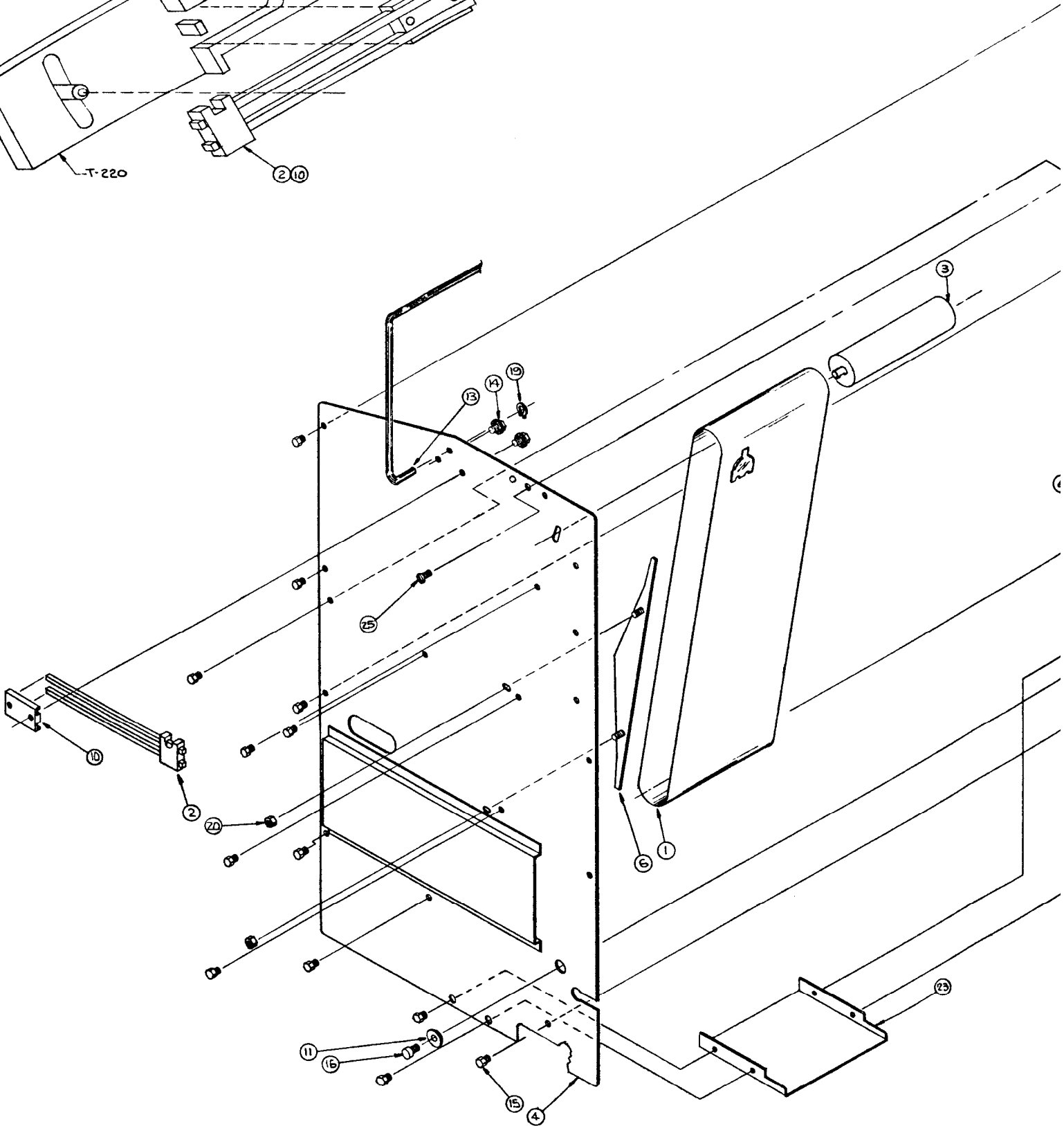
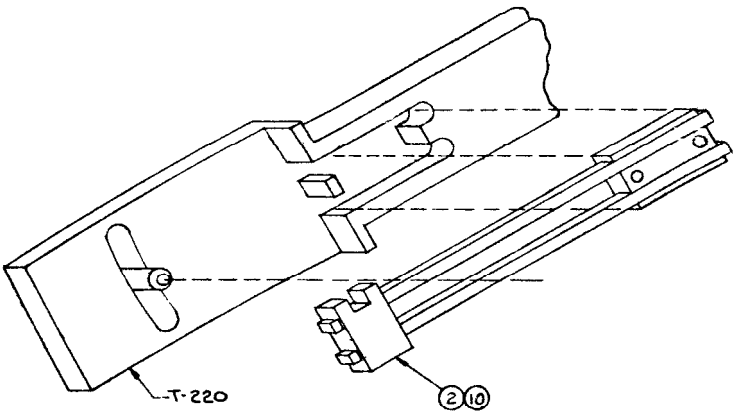


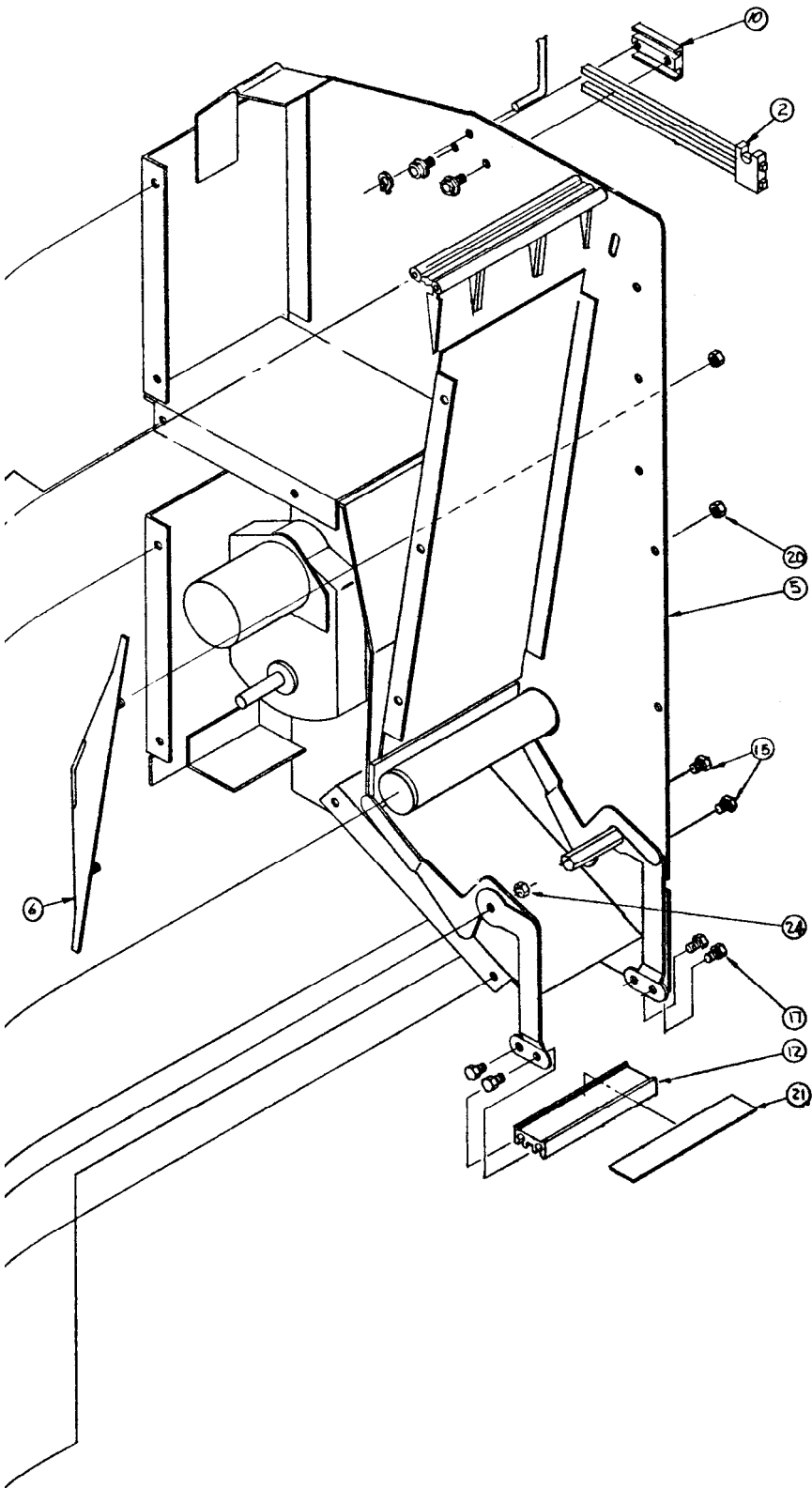




BILL OF MATERIAL 2x2298			
ITEM	PART NO	DESCRIPTION	QTY
1	2x1092	S.A. EMITTER HOUSING	2
2	2x1160	S.A. WIRE	1
3	2x1587	S.A. WIRE	1
4	2x1591	S.A. CHANNEL SOCKET HARNESS	1
5	2x1915	S.A. SOLENOID PAYOUT	1
6	2x2116	S.A. TOP & BOTTOM DETECTORS	1
7	2x2295	S.A. COIN CHANNEL FRONT	1
8	2x2297	S.A. SHIELD TO COIN CHANNEL	1
9	17x167	CABLE TIE	3
10	17x326-1	DETECTOR HOUSING	2
11	17x326-2	CONNECTOR HOUSING	4
12	20x233-0412	ROLL PIN .062 DIA. X .75 LG	1
13	30x7	#10-32 X.375 F.H.M.S.	2
14	30x186	#4-40 X.25 IND. HEX WASHER HD	6
15	30x184	#6-32 X.25 THUMB SCREW	6
16	31x32	#10 FLAT WASHER	2
17	31x40	#10 SPLIT LOCKWASHER	2
18	32x24	#6 KEPS NUT	1
19	32x25	FASTENER SPRING GRIP	4
20	33x78	SPRING SOLENOID	1
21	35x101	TERMINAL STRIP	1
22	51x9-1	SOLENOID FRAME & COIL	1
23	54x22-910	RESISTOR 2W 91-Ω	1
24	56x53	DIODE	1

SCALE: NTS	APPROVED BY: <i>[Signature]</i>	CHK'D BY: <i>[Signature]</i>	DRAWN BY: FS
DATE: 21 JUNE 79	APPLIC: 1A154		REVISED
S.A. COIN CHANNEL BOTTOM			
ARDAC INC.			DRAWING NUMBER 2x2298

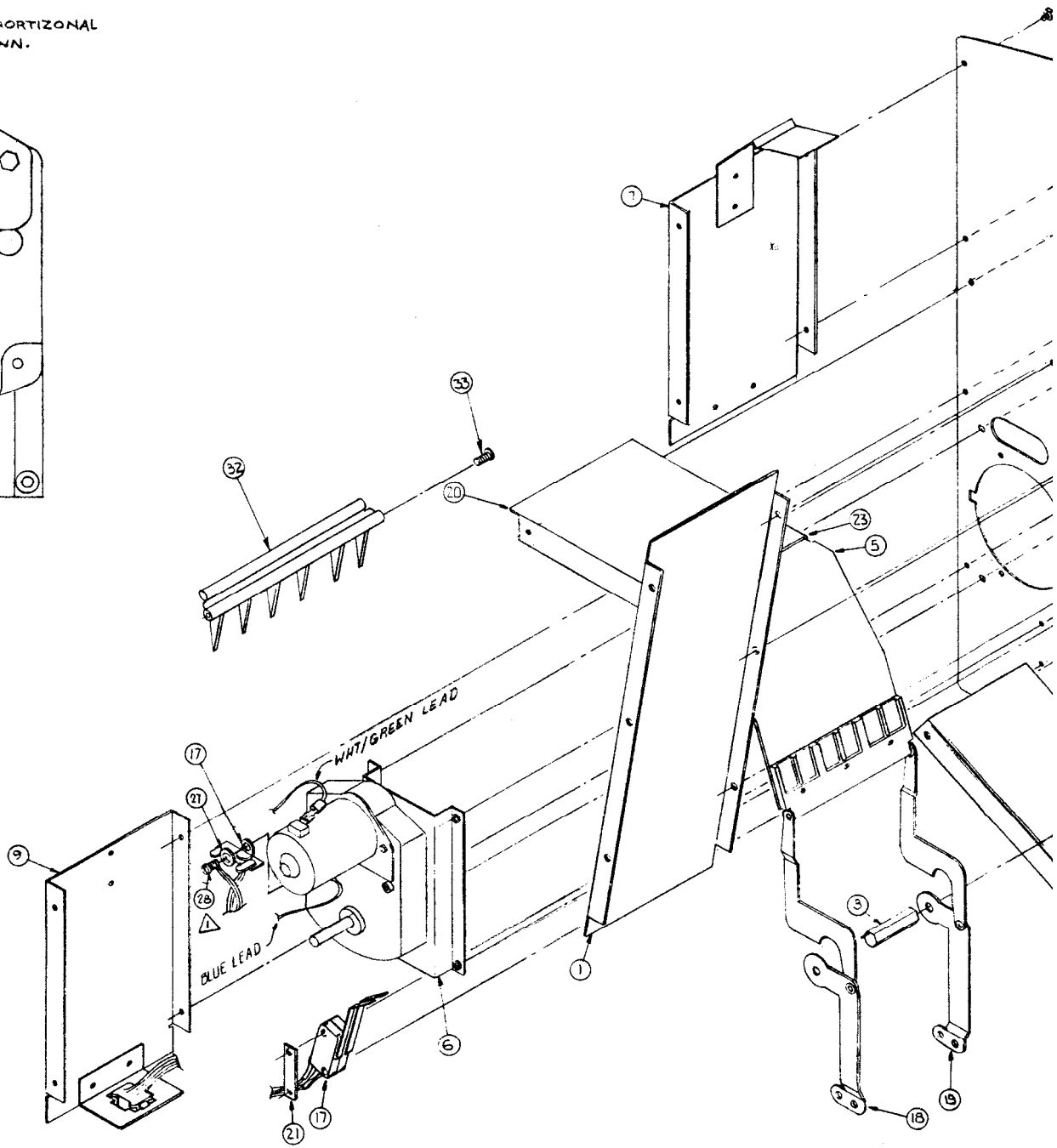
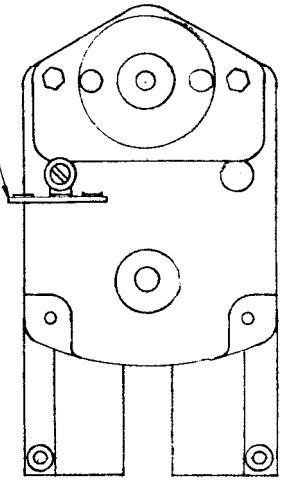


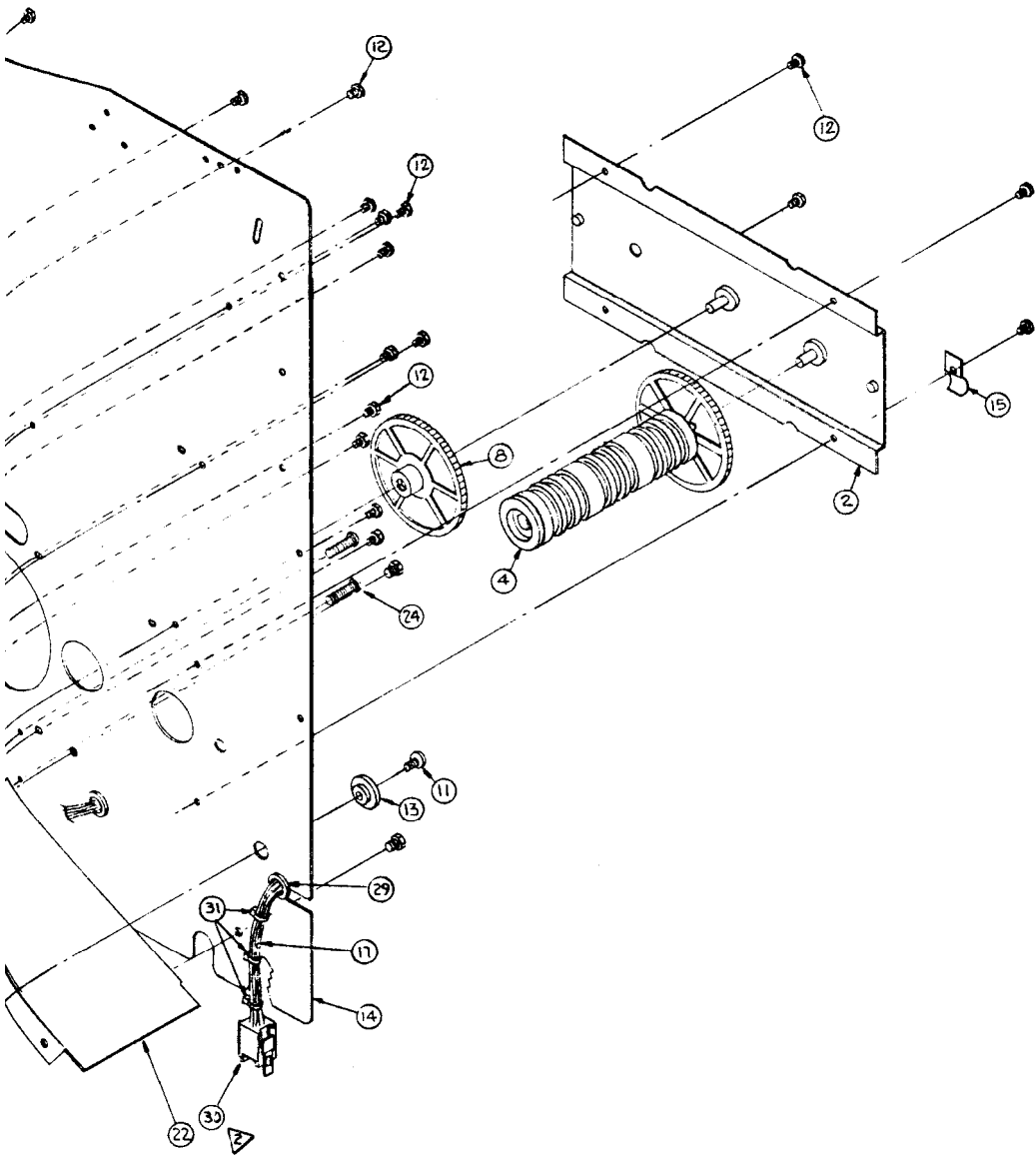


ITEM	PART NO	DESCRIPTION	QTY
1	2X1105	HOPPER BELT	2
2	2X1109	BELT SPRING	2
3	2X1112	TOP ROLLER	1
4	2X1118	HOPPER SIDE, LEFT	1
5	2X1119	HOPPER SIDE, RIGHT	1
6	17x461	BELT COVER	2
7			
8			
9			
10	20X267	SPRING CLAMP BLOCKS	2
11	20X276	SPACER BEARING	1
12	20X291	HOPPER DUMP HANDLE	1
13	29X16	HOPPER HANDLE	1
14	30X192	#6-32 X 1/4 FLANGE WHIZ-LOCK	4
15	30X106	#6-32 X 1/4 IND. HEX. HD. SLOTTED	15
16	30X111	#6-32 X 3/8 BUTTN. HD. CAPSCR	1
17	30X118	#6-32 X 3/8 HEX. WSHR. TAP TITE	4
18			
19	31X30	GRIP RING	2
20	32X24	NUT, #6-32 NUT	4
21	80X228	LABEL, LIFT HANDLE	1
22	85X8	LUBRIPLATE	1/R
23	12X212	BOTTOM RETAINER CHANN.	1
24	32X2	#6-32 ELASTIC STOP NUT	1
25	30X54	#6-32 x 5/16 LG. BINDER HD. SCREW	1

SCALE: NTS		APPROVED BY:	DRAWN BY: ZISEA
DATE: 10 SEPT 74			REVISED
S. A. HOPPER CHASSIS			
ARDAC INC.			DRAWING NUMBER 2X1238

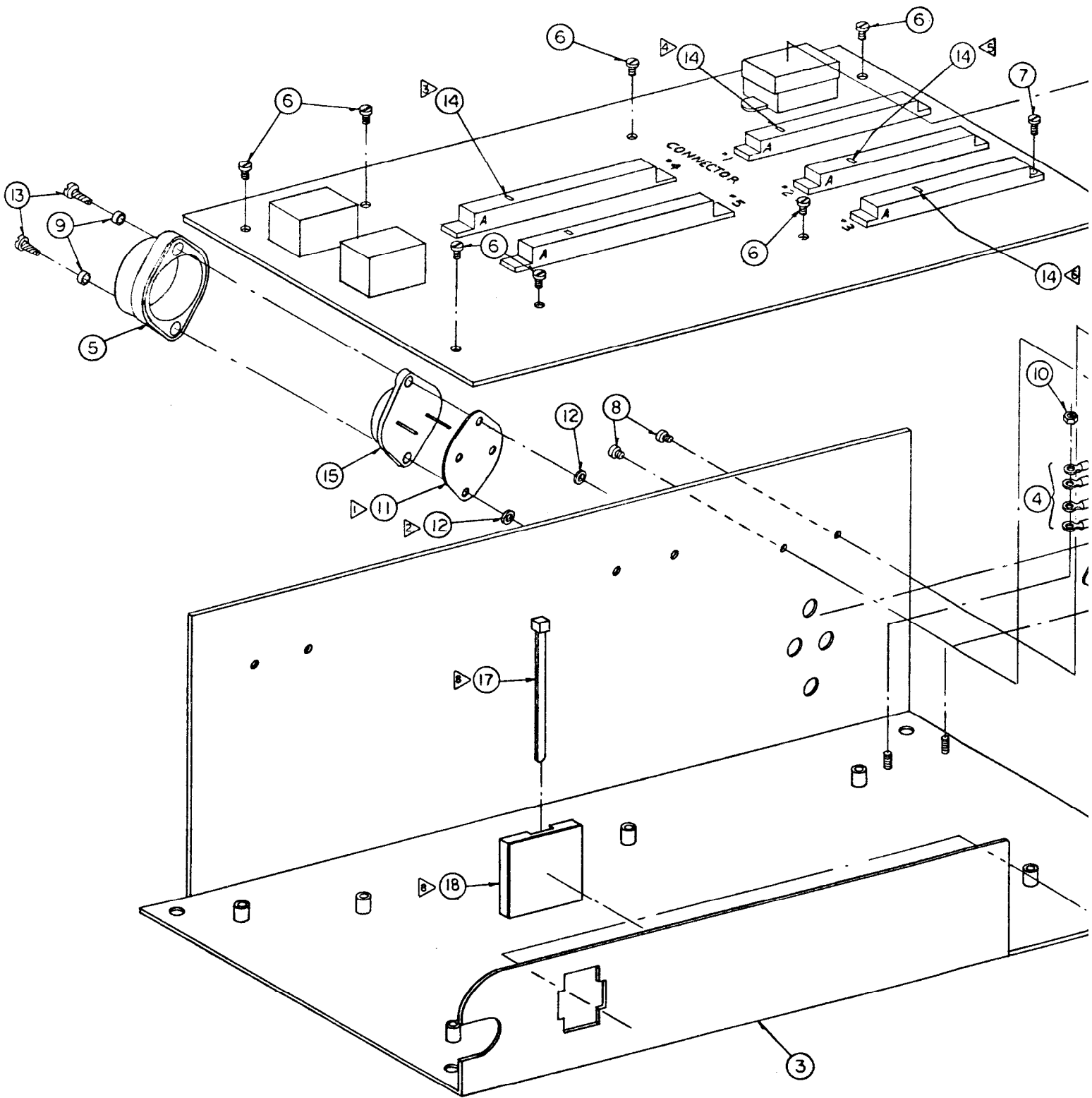
ITEM # 17 MUST BE HORIZONTAL
WITHIN 15° AS SHOWN.

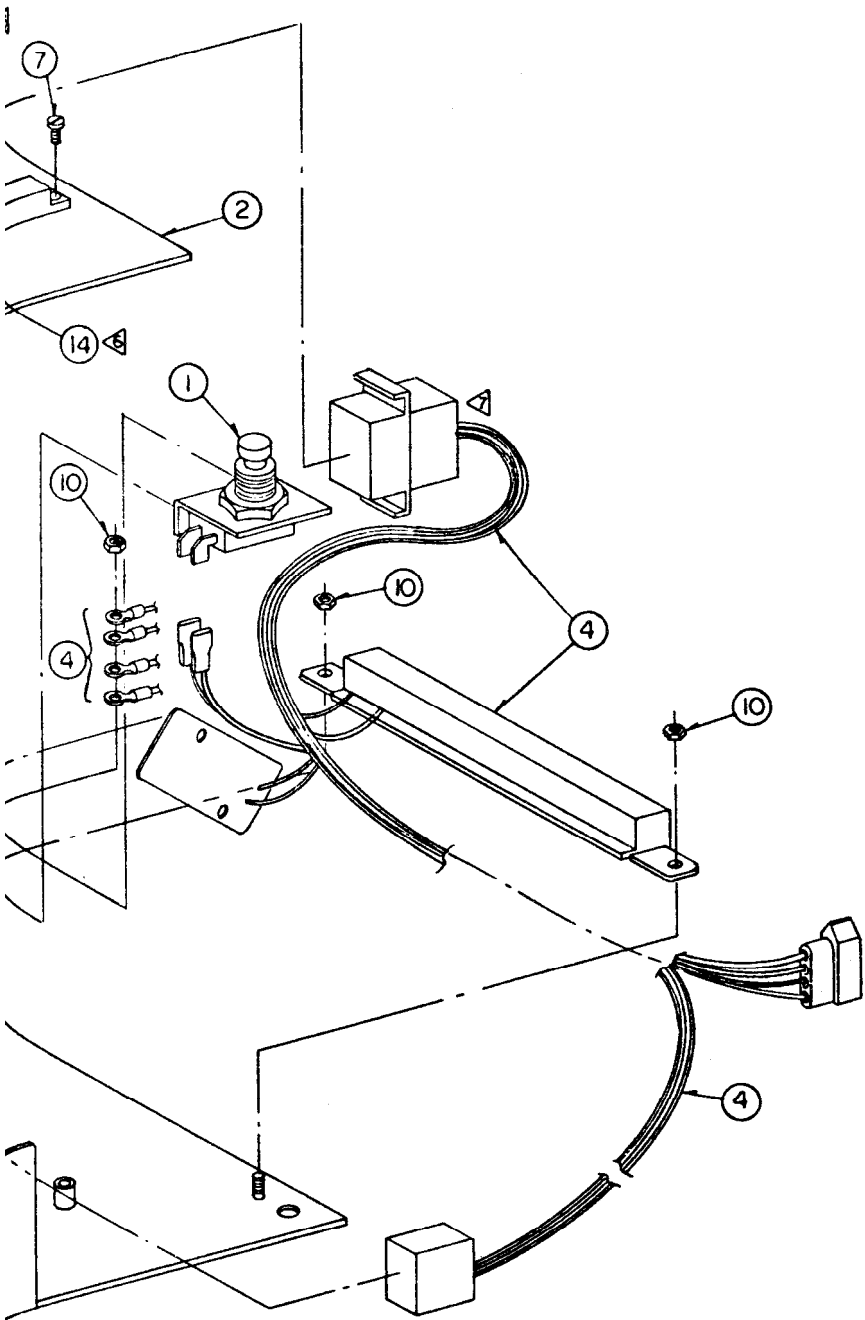




BILL OF MATERIAL			
ITEM	PART NO.	DESCRIPTION	QTY.
1	2x1117	BELT SUPPORT	1
2	2x1115	GEAR COVER, RIGHT	1
3	2x1914	CAM SHAFT	1
4	2x1113	BOTTOM ROLLER	1
5	2x1110	HOPPER BOTTOM	1
6	2x1107	MOTOR ASSY.	1
7	2x1106	HOPPER BACK PLATE	1
8	2x1066	IDLER GEAR ASSY.	1
9	2x1133	MULTI-PURPOSE CHANNEL	1
10			
11	30x111	#6-32 x 3/8 BUTTON HD CAP SC	1
12	30x106	#6-32 x 5/16 IND. HEX HD, SLOTTED	19
13	20x276	SPACER BEARING	1
14	12x195	HOPPER SIDE PLATE R.H.	1
15	12x31	CABLE CLAMP	1
16			
17	2X1087	HOPPER HARNESS	1
18	2X1108-1	HOPPER DUMP LEVER - LEFT	1
19	2X1108-2	HOPPER DUMP LEVER - RIGHT	1
20	11X866	HOPPER BTM REAR	1
21	12X120	NUT PLATE	1
22	12X194	MULTI-PURPOSE CHANNEL	1
23	20X284	SHAFT HOPPER BOTTOM REAR	1
24	30X105	SCR. #4-40 X 1" PHMS	2
25	85x4	LOCTITE #242	-
26	85x8	LUBRIPLATE	-
27	31x1	SPLIT LOCKWASHER #6	1
28	30x10	#6-32 x 1/4 R.H.M.S.	1
29	17x8	GROMMET	1
30	35x76	PIN HOUSING, 9 PIN AMP	1
31	17x167	CABLE TIE	3
32	2x1152	SACOIN ASS'Y.	1
33	30x54	#6-32 x 5/16 LG. BINDER HD SCW	1

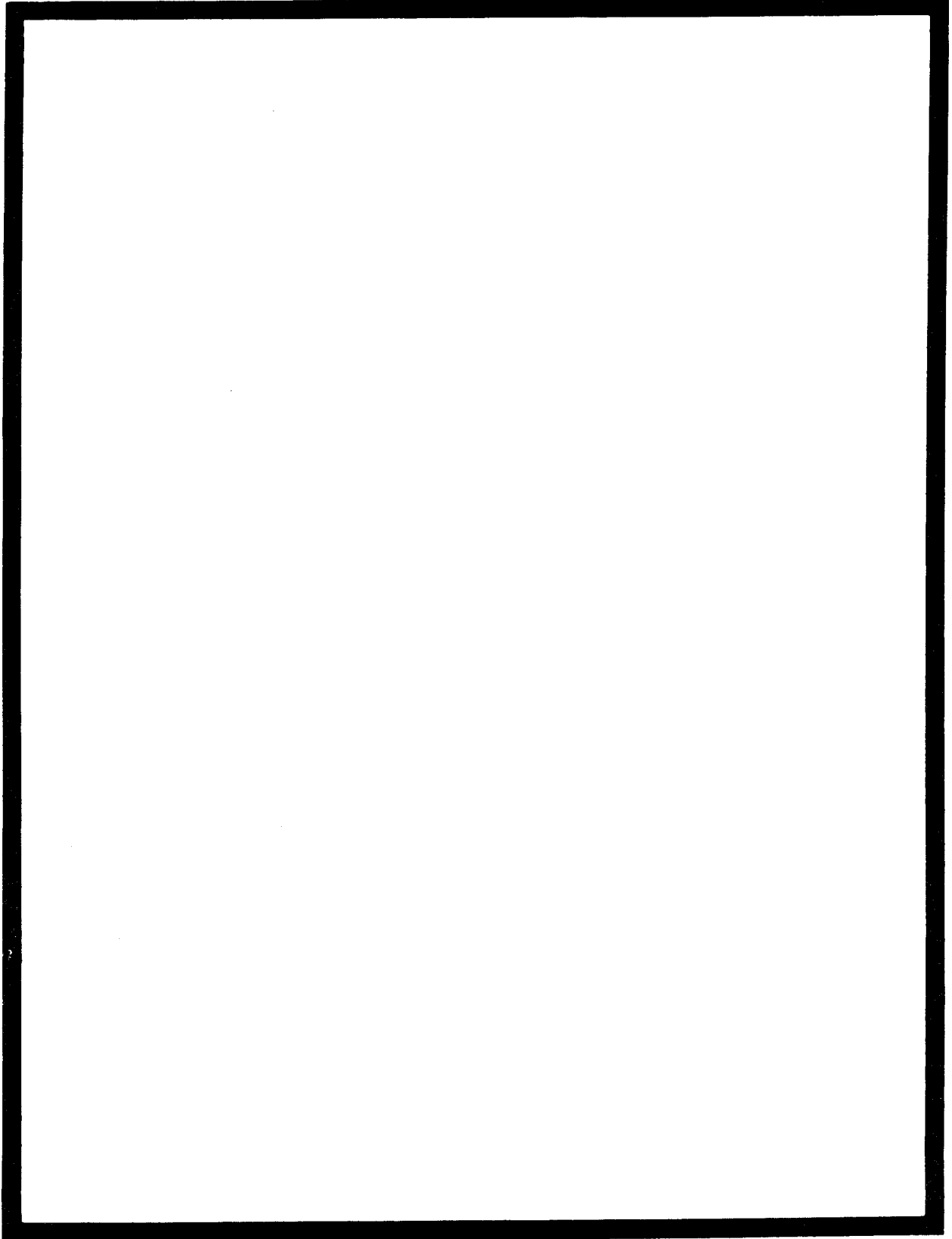
SCALE: N.T.S.	APPROVED BY:	DRAWN BY: D B/12
DATE: 4 APR 74	APPLICATION: 2X1238	REVISED:
S.A. HOPPER SIDE, RIGHT		
ARDAC INC.		DRAWING NUMBER 2x1119





BILL OF MATERIAL			
ITEM	PART NO.	DESCRIPTION	QTY
1	2x1791	S.A. RESET SW. W/MTG. ANGLE	1
2	2x2236	S.A. CONTROL BOARD	1
3	2x2210	S.A. CONTROL CKT. PNL. MECH	1
4	2x2211	S.A. CONTROL CKT. PNL. HARNESS	1
5	17x361	TRANSISTOR COVER	1
6	30x45	*4-40X.25 P.H.M.S.	7
7	30x63	*4-40X.50 P.H.M.S.	1
8	30x74	*4-40X.19 R.H.M.S.	2
9	31x39	SPACER WASHER, TRANS. CAP	2
10	32x22	*4-40 KEPS NUT	3
11	35x19-2	INSULATOR, TRANSISTOR	1
12	35x19-3	INSULATOR, TEFLON	2
13	35x19-4	*6 H.H.S.M.S. TYPE 'B' X.50 LG	2
14	35x86	POLARIZING KEY	5
15	56x67	TRANSISTOR MJ-3000	1
16	85x47	THERMAL COMPOUND(WAKEFIELD 120)	A/R
17	17x167	CABLE TIE	1
18	17x370	ADHESIVE BACK MOUNT	1

TOLERANCES UNLESS SPECIFIED			
DECIMAL DIMS ± .005	FRACTIONS DIMS ± .005	HOLE DIA. ± .010	ANGLE ± .5°
SCALE: N.T.S.	APPROVED BY: <i>CS 3/17/73</i>	DRAWN BY: <i>DB</i>	
DATE: 19 FEB 79	APPLIC: 3X48	REVISED	
S.A. CONTROL CIRCUIT PANEL COMPLETE			
ARDAC INC.			DRAWING NUMBER 2x2212



ARDAC

34000 VOKES DRIVE, EASTLAKE, OHIO 44094
TELEPHONE: (216) 951-3440