

**D. Gottlieb & Co.** 

A Columbia Pictures Industries Company

165 W. Lake Street • Northlake, Illinois 60163 • Phone: 312.562-7400 • Telex: 72-8163

January 14, 1981

TO: SERVICE MANAGERS

Enclosed are the instruction and service manuals for the NEW YORK-NEW YORK Cocktail Tables that were not available when the games were originally shipped.

We will appreciate your assistance in seeing that these are given to the customers who purchased these games.

Thank you for your cooperation.

Sincerely,

D. GOTTLIEB & CO.



Cliff Strain  
Assistant Sales Manager

CS:jh

Enclosures

### SWITCH PAK 1

Number of Bombs from UFO  
(Screen 3 or higher)

<b>SW1</b>	<b>SW2</b>	
OFF	OFF	9
ON	OFF	12
OFF	ON	3
ON	ON	6

Number of bombs from UFO  
(Screen 1 or 2)

<b>SW3</b>		
OFF		6
ON		9

Switches 4-5-6-7 have no function

Relative Volume of Voice

<b>SW8</b>	
OFF	HIGH
ON	LOW

### SWITCH PAK 2

Coin, Credits

1 Coin, 1 Credit  
1 Coin, 2 Credits  
2 Coins, 1 Credit  
Free Play

<b>SW1</b>	<b>SW2</b>
OFF	OFF
OFF	ON
ON	OFF
ON	ON

Switches 3 and 4 have no function.

Replay Score

No Replays  
5,000 Points  
10,000 Points  
15,000 Points

<b>SW5</b>	<b>SW6</b>
OFF	OFF
ON	OFF
ON	ON
OFF	ON

Extra Missile Base Score

5,000 Points  
3,000 Points

<b>SW7</b>
OFF
ON

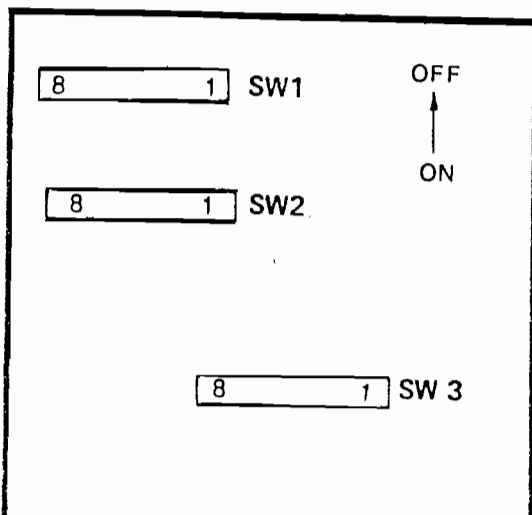
Extra Missile Base Mode

Extra Base at SW7 Score  
No Extra Base

<b>SW8</b>
OFF
ON

### IV. OPTION SWITCH SETTINGS

CAUTION: Switches are recognized only during normal power-up. Turn power off and on after changing switch setting.



### SWITCH PAK 3

Picture Direction—Both Players	<b>SW1</b>		
Standard	ON		
Up-Side Down	OFF		
Same Mode	<b>SW2</b>		
Upright Cabinet	ON		
Cocktail Cabinet	OFF		
Vertical location of displayed picture	<b>SW3</b>	<b>SW4</b>	<b>SW5</b>
Horizontal location of displayed picture	<b>SW6</b>	<b>SW7</b>	<b>SW8</b>
+3	ON	ON	OFF
+2	OFF	ON	OFF
+1	ON	OFF	OFF
Neutral	OFF	OFF	OFF
-1	ON	ON	ON
-2	OFF	ON	ON
-3	ON	OFF	ON

NOTE: Switches 3 thru 8 should not need adjustment unless the Monitor is replaced by one manufactured by someone other than the original installed in the game.

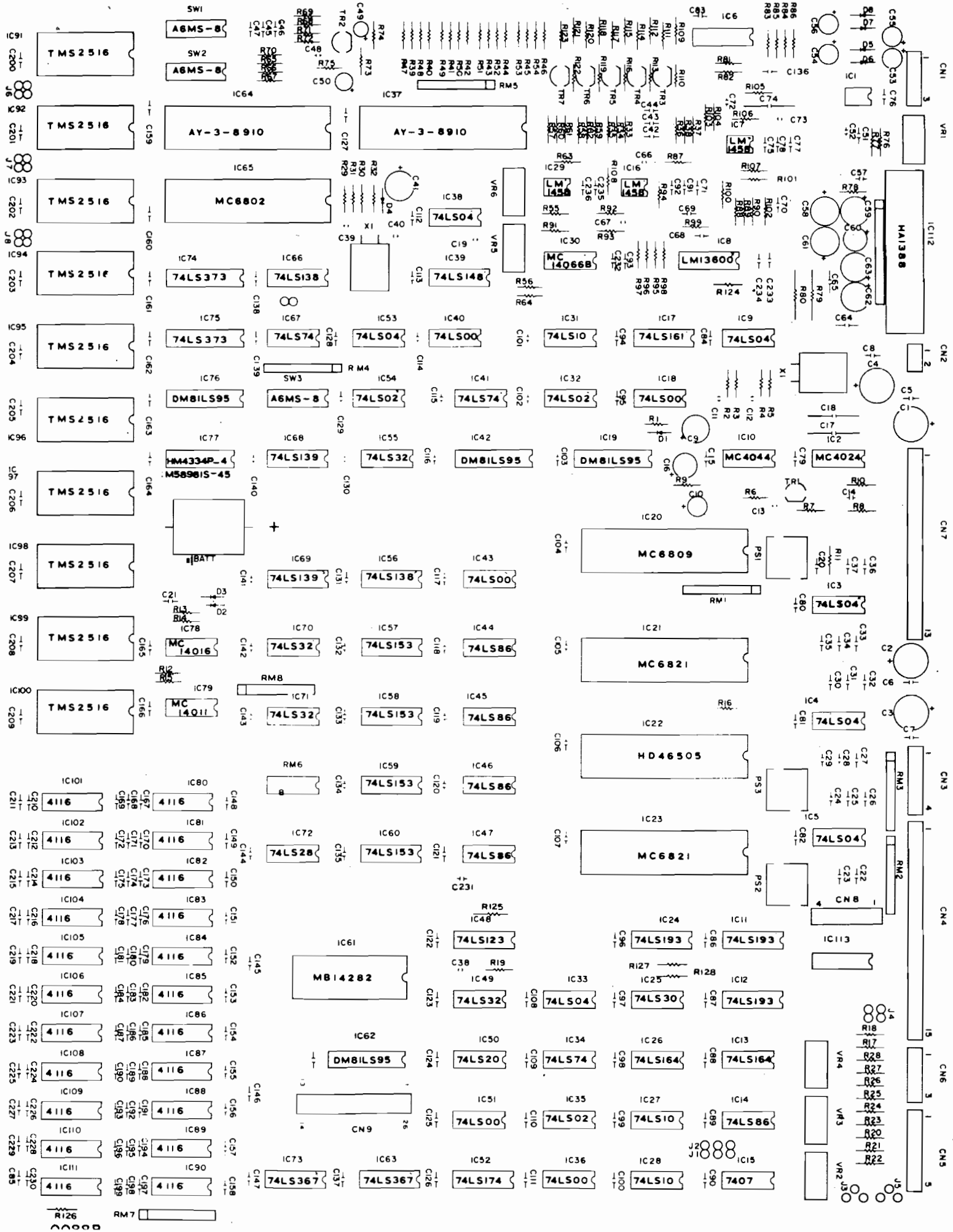
### V. TROUBLESHOOTING:

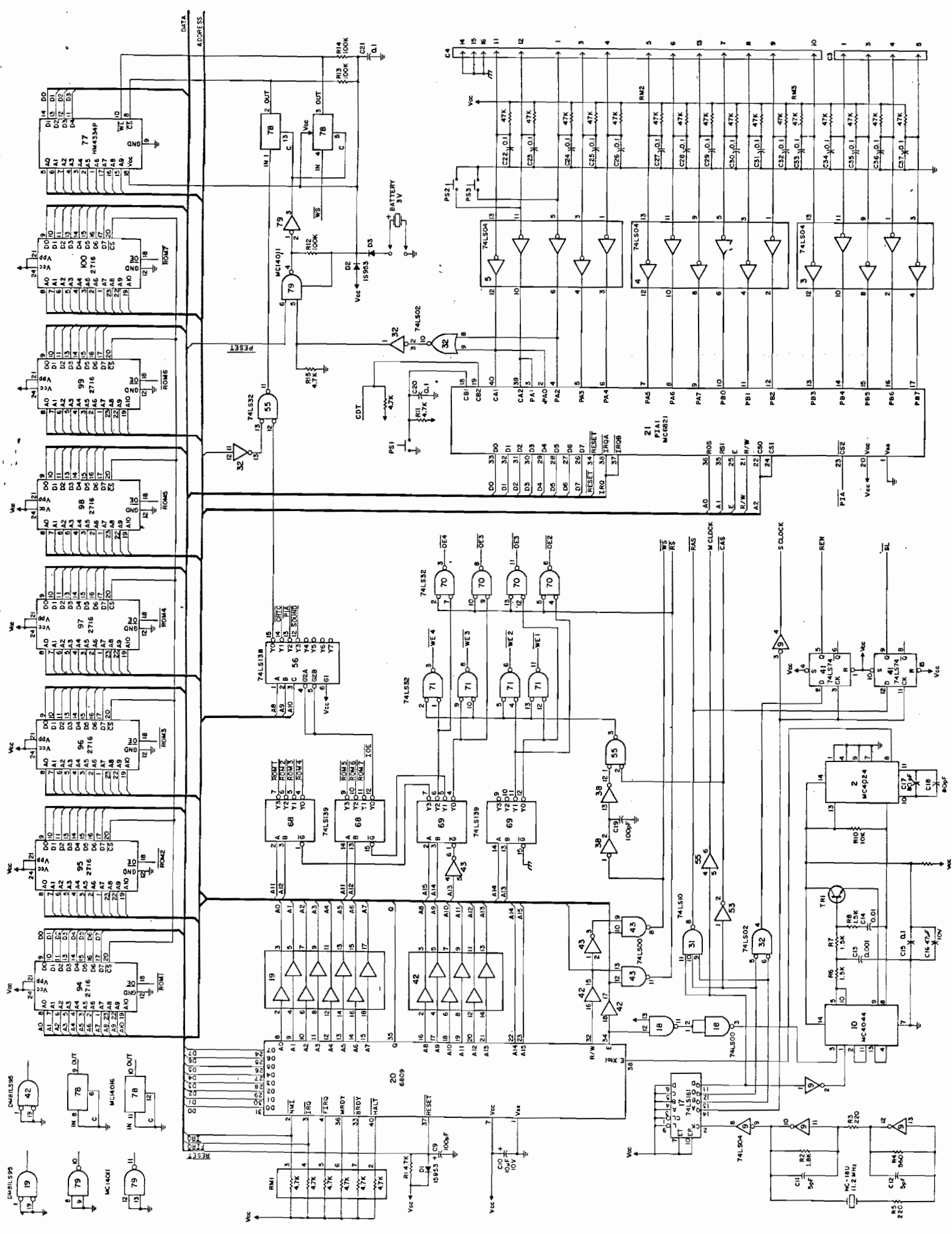
Most electronic troubleshooting will consist of isolating a faulty assembly and replacing that assembly on location.

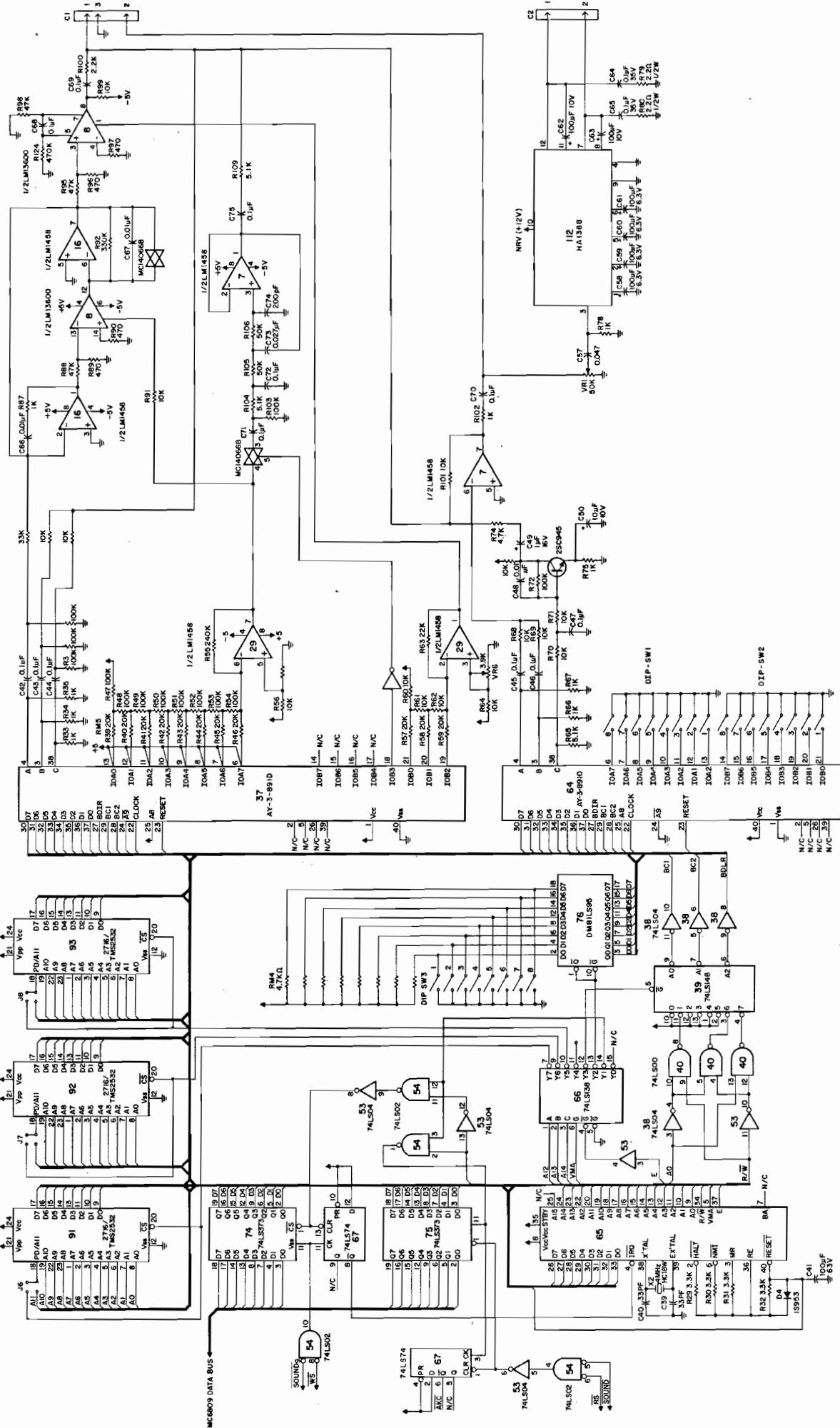
### BOOKKEEPING

When the cashbox is removed, the bookkeeping mode is activated by a microswitch in the back of the cashbox area. The number displayed is the total number of coins that have been deposited in the game, and is non-resettable. When the cashbox is replaced, the game returns to the attract mode.

CONTROL BOARD COMPONENT LOCATION







MICROPROCESSOR DATA BUS

SOUNDS

74LS74

74LS04

74LS02

74LS154

74LS163

74LS138

74LS145

74LS160

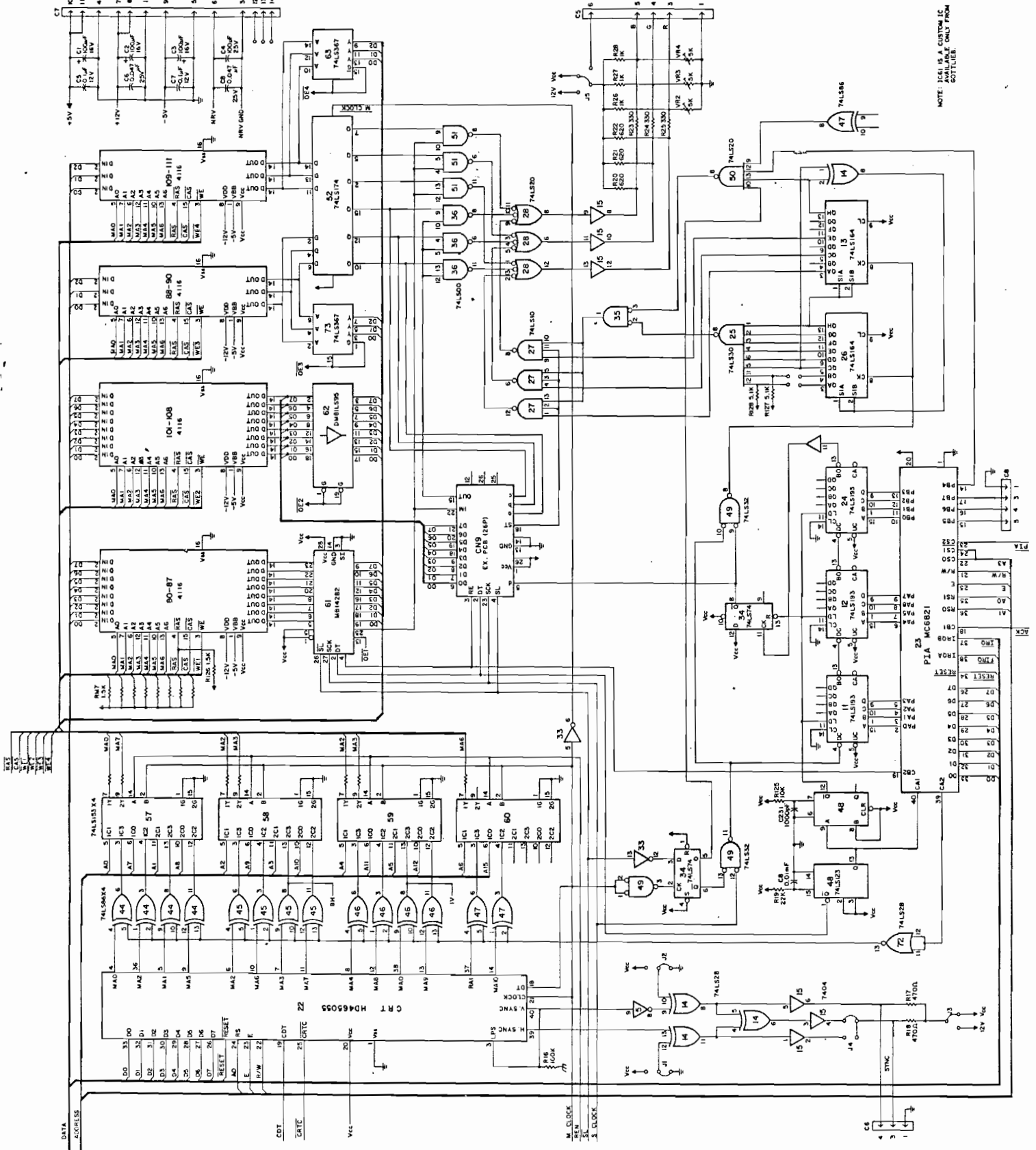
74LS160

74LS160

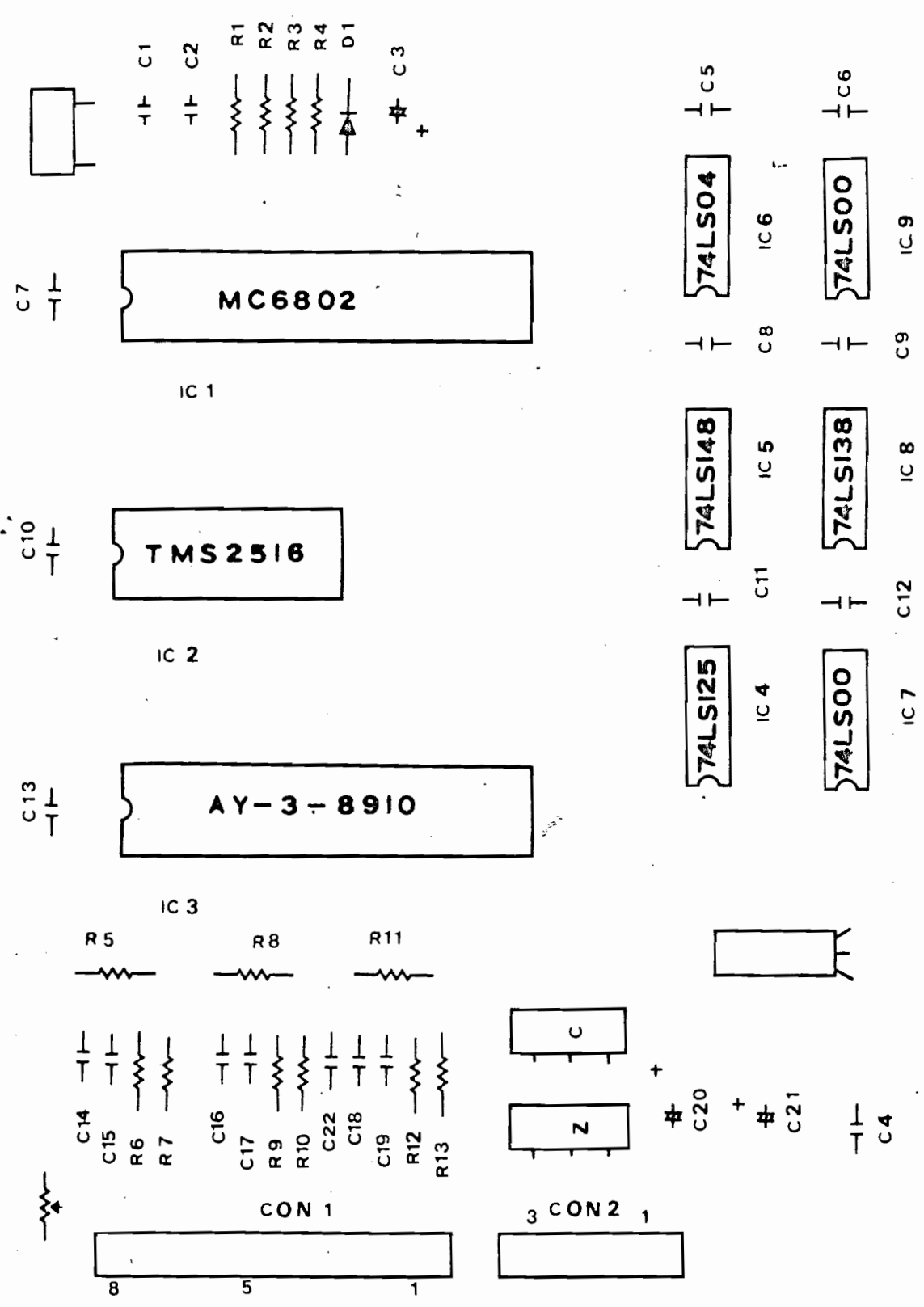
74LS160

74LS160

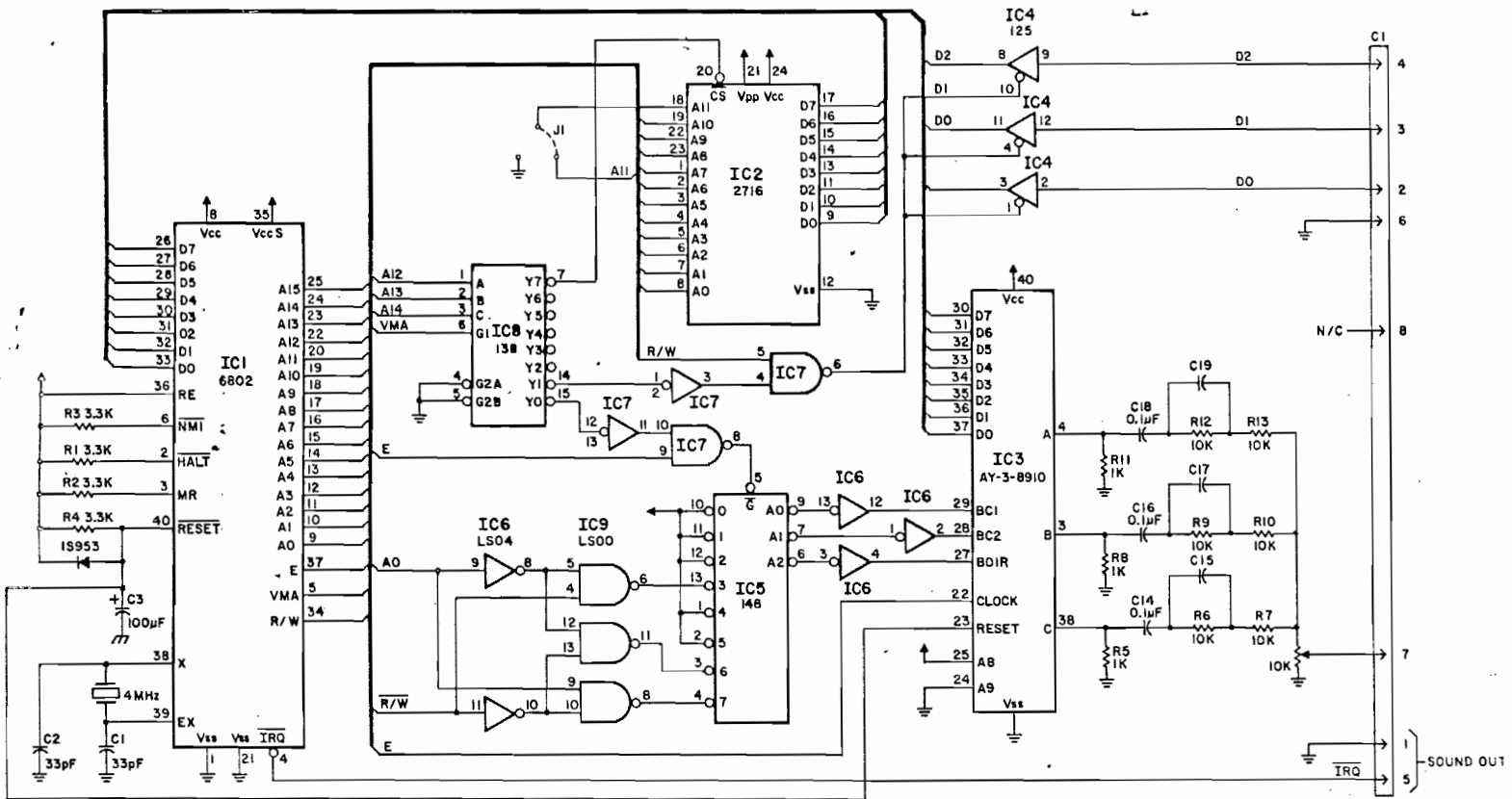
74LS160

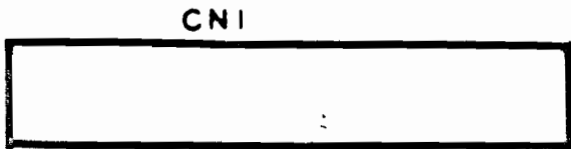


NOTE: IC61 IS A CUSTOM IC AVAILABLE ONLY FROM SOUTHERN.

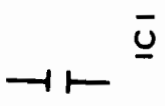
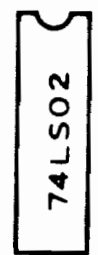
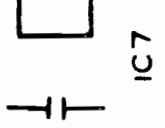
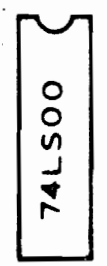
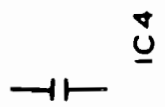
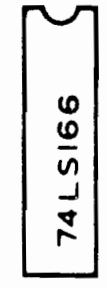
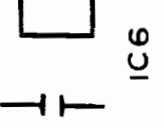
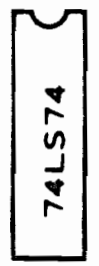
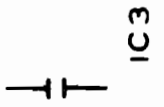
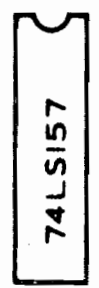
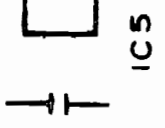
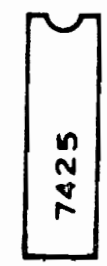
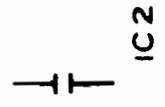
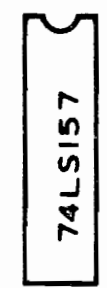


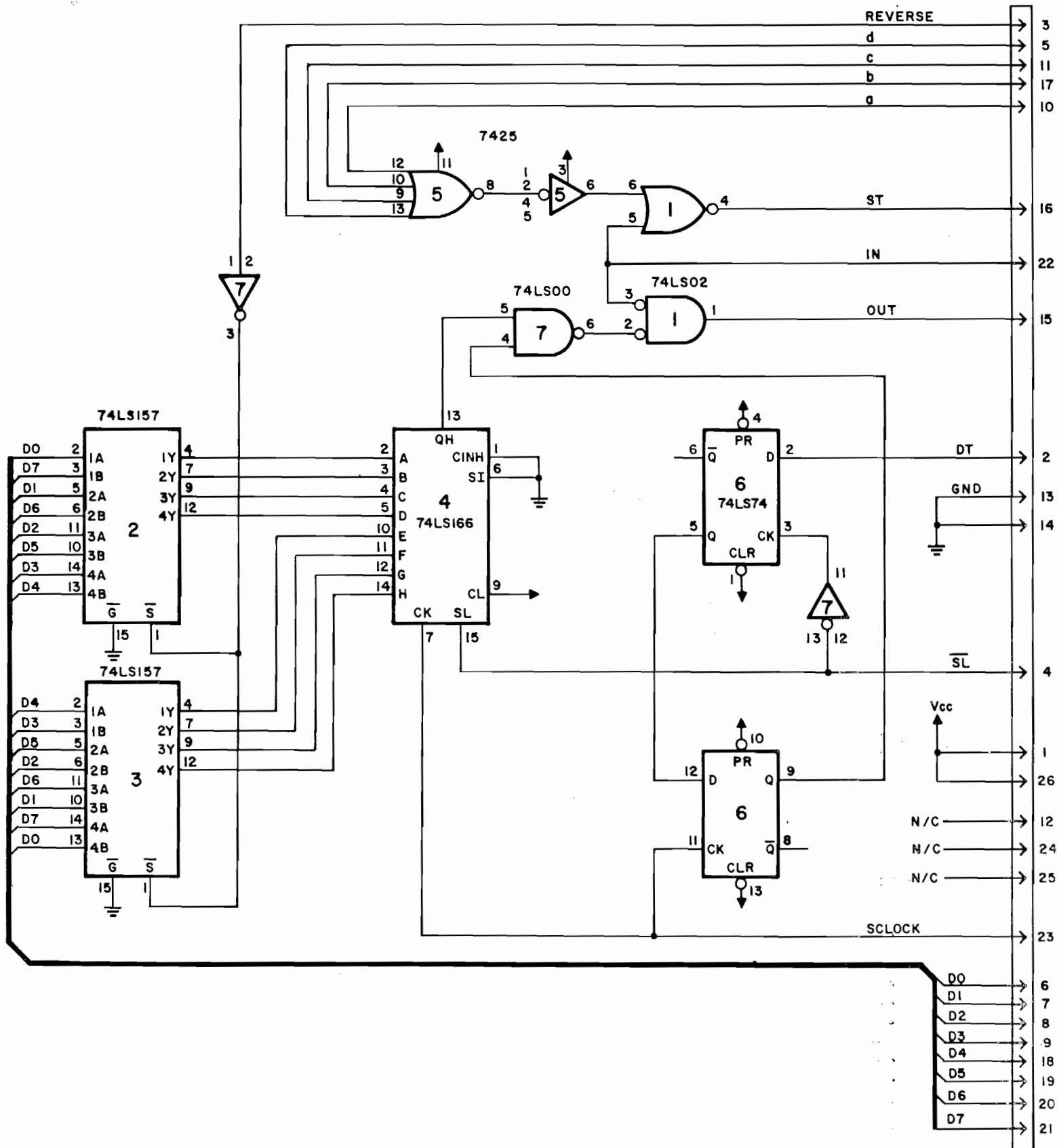


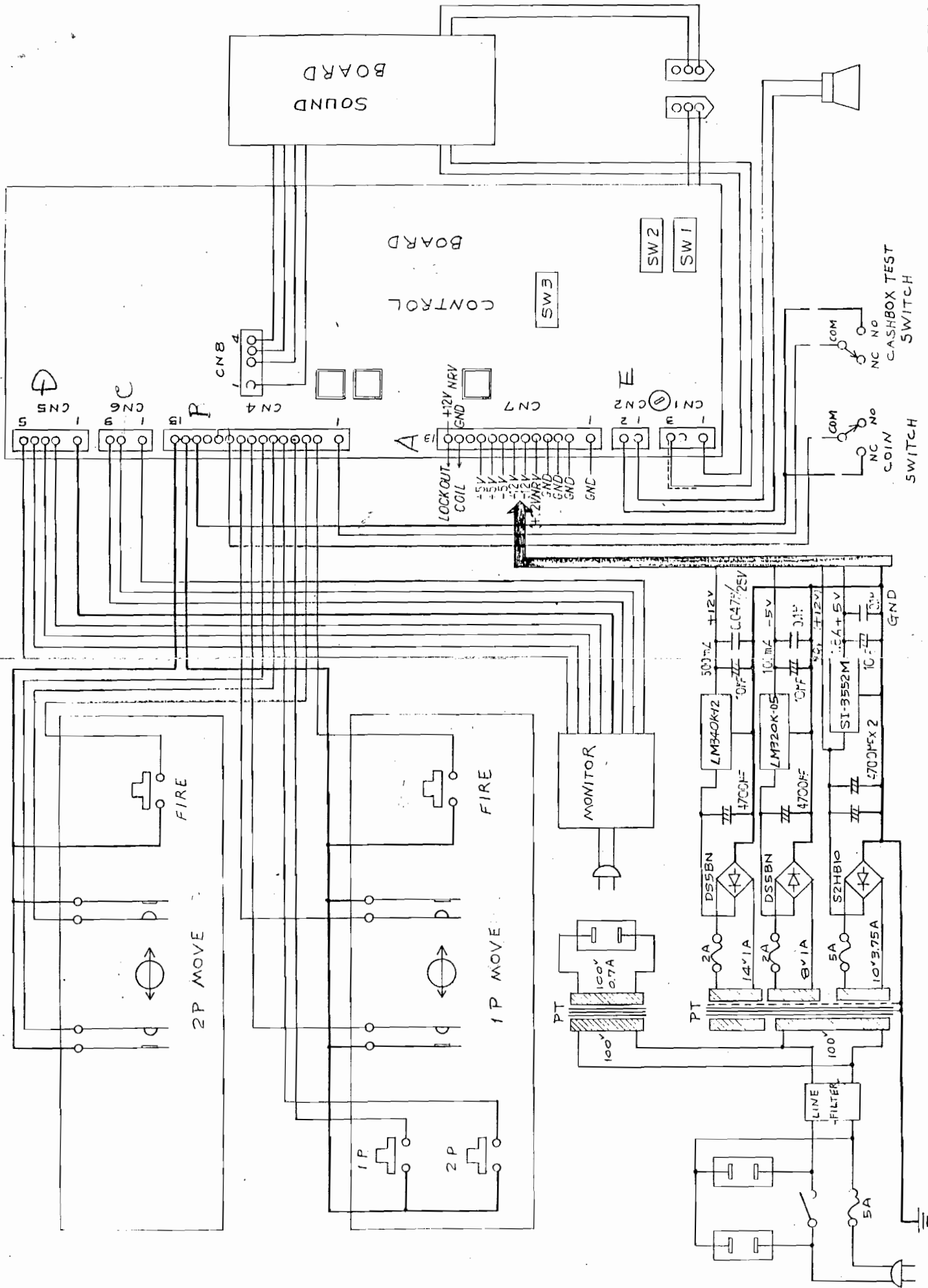




00898







NEW YORK NEW YORK