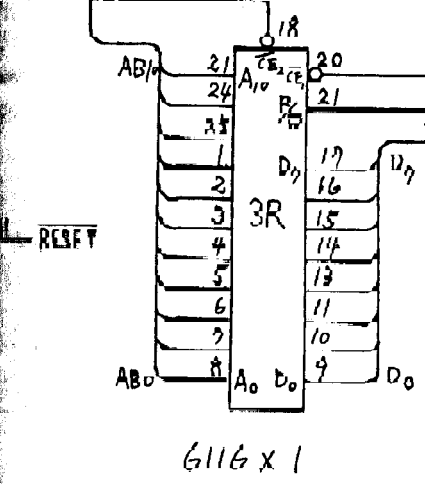


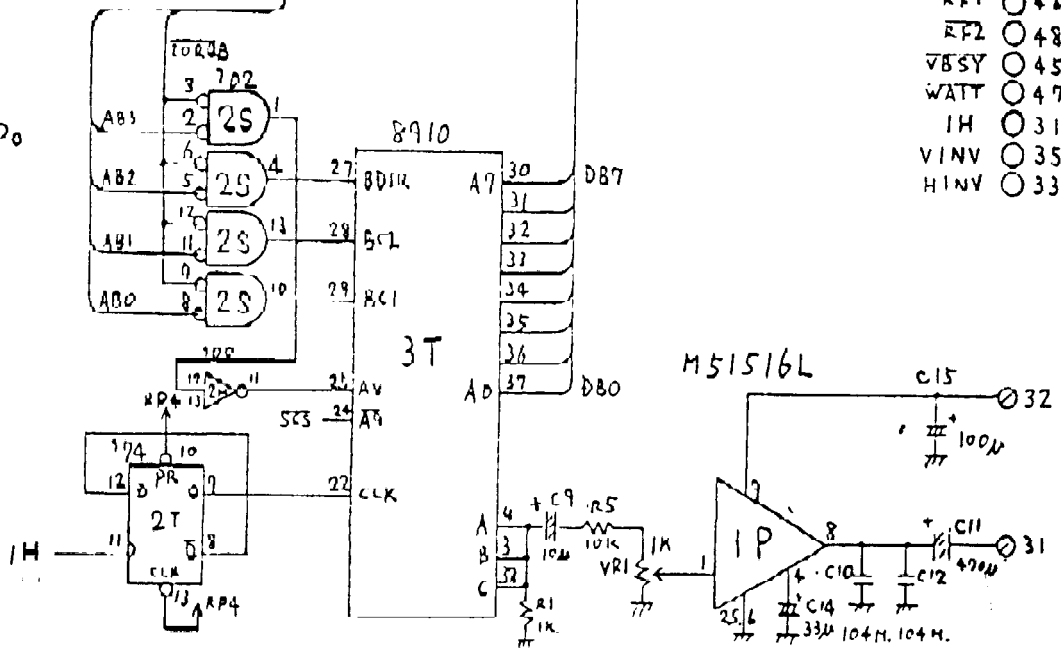
- DB3 ○ 38
- RDB ○ 39
- RDI ○ 34
- RDI ○ 36
- WR3 ○ 44
- WR1 ○ 40
- WR2 ○ 42
- RF3 ○ 50
- RFT ○ 46
- RF2 ○ 48
- VBSY ○ 45
- WATT ○ 47
- IH ○ 31
- VINV ○ 35
- HINV ○ 33

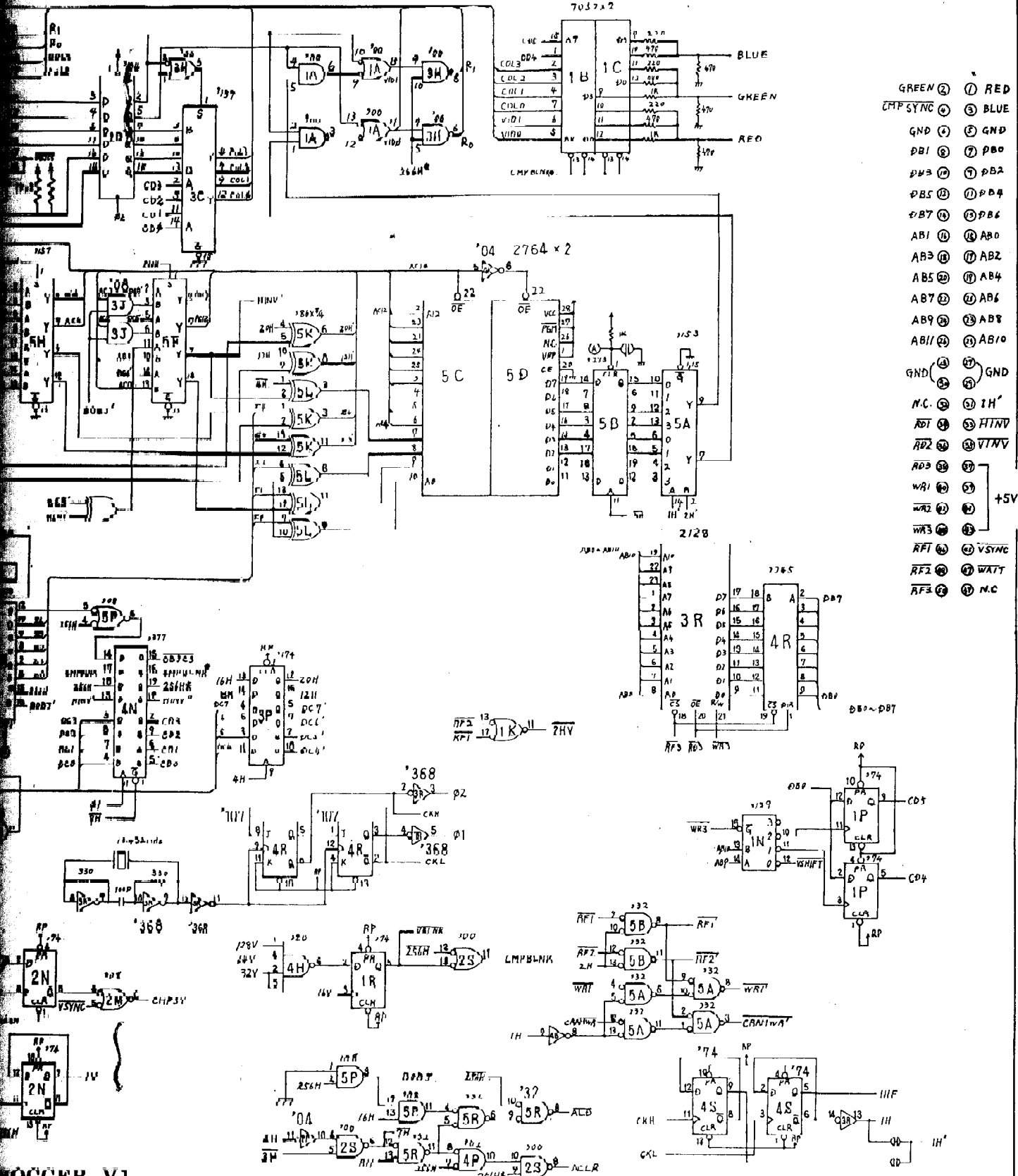


HOCER V1

top board

- 50 PIN HEADER
- ⊙ 44 PIN EDGE CONNECTOR





- GREEN (2) (1) RED
- CHPSYNC (4) (3) BLUE
- GND (4) (5) GND
- DB1 (6) (7) PB0
- DB3 (10) (11) PB2
- DB5 (13) (14) PB4
- DB7 (16) (17) PB6
- AB1 (18) (19) AB0
- AB3 (20) (21) AB2
- AB5 (22) (23) AB4
- AB7 (24) (25) AB6
- AB9 (26) (27) AB8
- AB11 (28) (29) AB10
- GND (30) (31) GND
- N.C. (32) (33) IH'
- AD1 (34) (35) HFTV
- AD2 (36) (37) VINV
- AD3 (38) (39)
- WR1 (40) (41) +5V
- WR2 (42) (43)
- WR3 (44) (45)
- RF1 (46) (47) VSYNC
- RF2 (48) (49) WFT
- RF3 (50) (51) N.C.

MOCCER V1

bottom board

Nov., 1983

EME © Eastern Micro Electronics, Inc.
 12D Worlds Fair Drive Somerst, New Jersey 08873