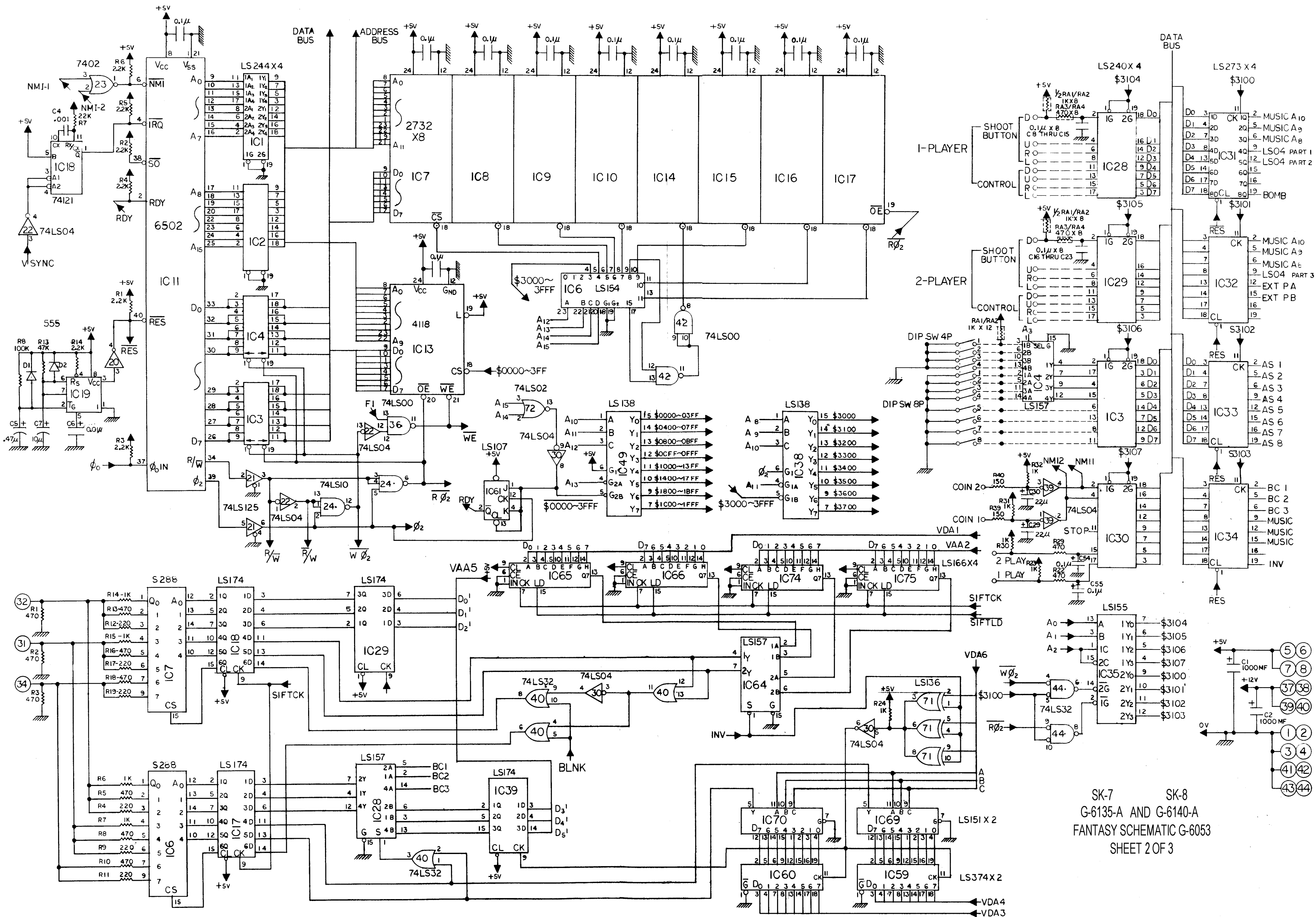
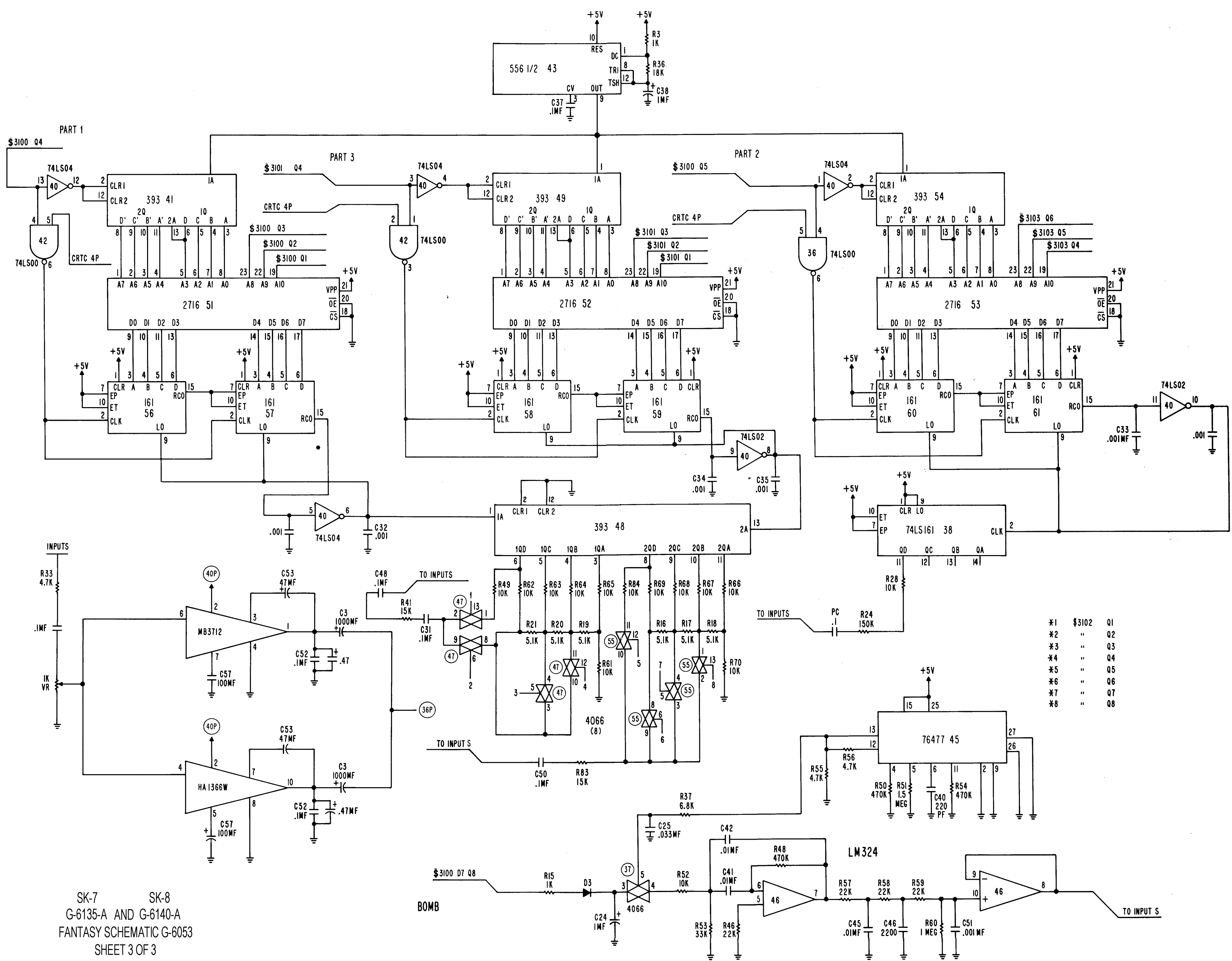


SK-7 SK-8
 G-6135-A AND G-6140-A
 FANTASY SCHEMATIC G-6053
 (SPECIAL SHEET)



SK-7 SK-8
G-6135-A AND G-6140-A
FANTASY SCHEMATIC G-6053
SHEET 2 OF 3



*1	\$3102	Q1
*2	"	Q2
*3	"	Q3
*4	"	Q4
*5	"	Q5
*6	"	Q6
*7	"	Q7
*8	"	Q8