

## SPIKER Game Review

Please disregard "Self-Test" and "Attract Mode" information on page 6 of Bally Sente Field Conversion Kit Manual. (Refer to information below.)

### SELF-TEST

Pressing the Self-Test switch on the chassis tray will cause the program to enter a sequenced Self-Test Mode. First the screen RAM is tested by outputting a pattern to the monitor and checking it. This part of the test takes about 3 seconds and results in status screen that indicates whether the screen RAM is good and also indicates the status of the ROM checksums. Pressing start 2 will then go to the switch input test where the state of all the controls and option switches is presented to the user. Pressing start 2 again will take the user to the game time statistics screen. Next start 2 again will take the user to a similar game score statistics screen where a cumulative graph of scores and other information is presented to the viewer. On either this screen or the prior one, the user may choose to reset the cumulative statistics and high scores by pressing the start 1. Pressing start 2, yet again, returns the user to the game time statistics screen. To exit Self-Test Mode, the Self-Test switch must be returned to its original position on the game chassis.

### ATTRACT MODE

1. When game is first powered on or when Self-Test Mode is exited, a blank screen with the message loading appears for approximately 8 seconds. (This is to allow the sound circuitry to be initialized.)
2. Title screen will appear (approx. 18 seconds).
3. Credits screen will appear (approx. 9 seconds).
4. Demonstration screen will appear (approx. 5 seconds).
5. Excetera.
6. Cycle repeats from Step 2.

### SPIKER Game Description

Spiker is a one or two player simultaneous video game based on the theme of a volleyball game on the beach. Players can serve by rolling the trackball in the desired direction of serving. Each player moves his player using a trackball. The player hits the ball by maneuvering his guy underneath the ball. The resulting ball trajectory is automatically provided by the program. A player can make his player jump up by pressing his Jump/Spike button. Depressing this button will cause the player to spike the ball if he is within range of it.

Points are awarded in accordance with the standard volleyball rule set with one exception: One does not have to be a server to score.

The game is over when one of the players reaches either 11 or 15 points based on an option switch setting.

# SPIKER

## OPTION SWITCH SETTINGS

### G1

1   2   3   4   5   6   7   8

OFF  
ON

\* Game ends at 15 points  
Game ends at 11 points

### H1

1   2   3   4   5   6   7   8  
OFF   OFF   OFF   OFF   OFF   OFF   OFF   OFF  
ON   ON

OFF   ON  
ON   OFF  
OFF   OFF

ON   ON   ON  
OFF   ON   ON  
ON   OFF   ON  
OFF   OFF   ON  
ON   ON   OFF  
OFF   ON   OFF  
ON   OFF   OFF  
OFF   OFF   OFF

ON  
OFF

ON   ON  
OFF   ON  
ON   OFF  
OFF   OFF

### FREE PLAY

\* 1 COIN/1 CREDIT  
1 COIN/2 CREDITS  
2 COINS/1 CREDIT  
3 COINS/1 CREDIT  
\* NO BONUS COINS  
2 COINS ADDS 1 BONUS COIN  
3 COINS ADDS 1 BONUS COIN  
4 COINS ADDS 1 BONUS COIN  
4 COINS ADDS 2 BONUS COINS  
5 COINS ADDS 1 BONUS COIN  
5 COINS ADDS 2 BONUS COINS  
5 COINS ADDS 3 BONUS COINS  
\* LEFT COIN MECH X 1  
LEFT COIN MECH X 2  
\* RIGHT COIN MECH X 1  
RIGHT COIN MECH X 4  
RIGHT COIN MECH X 5  
RIGHT COIN MECH X 6

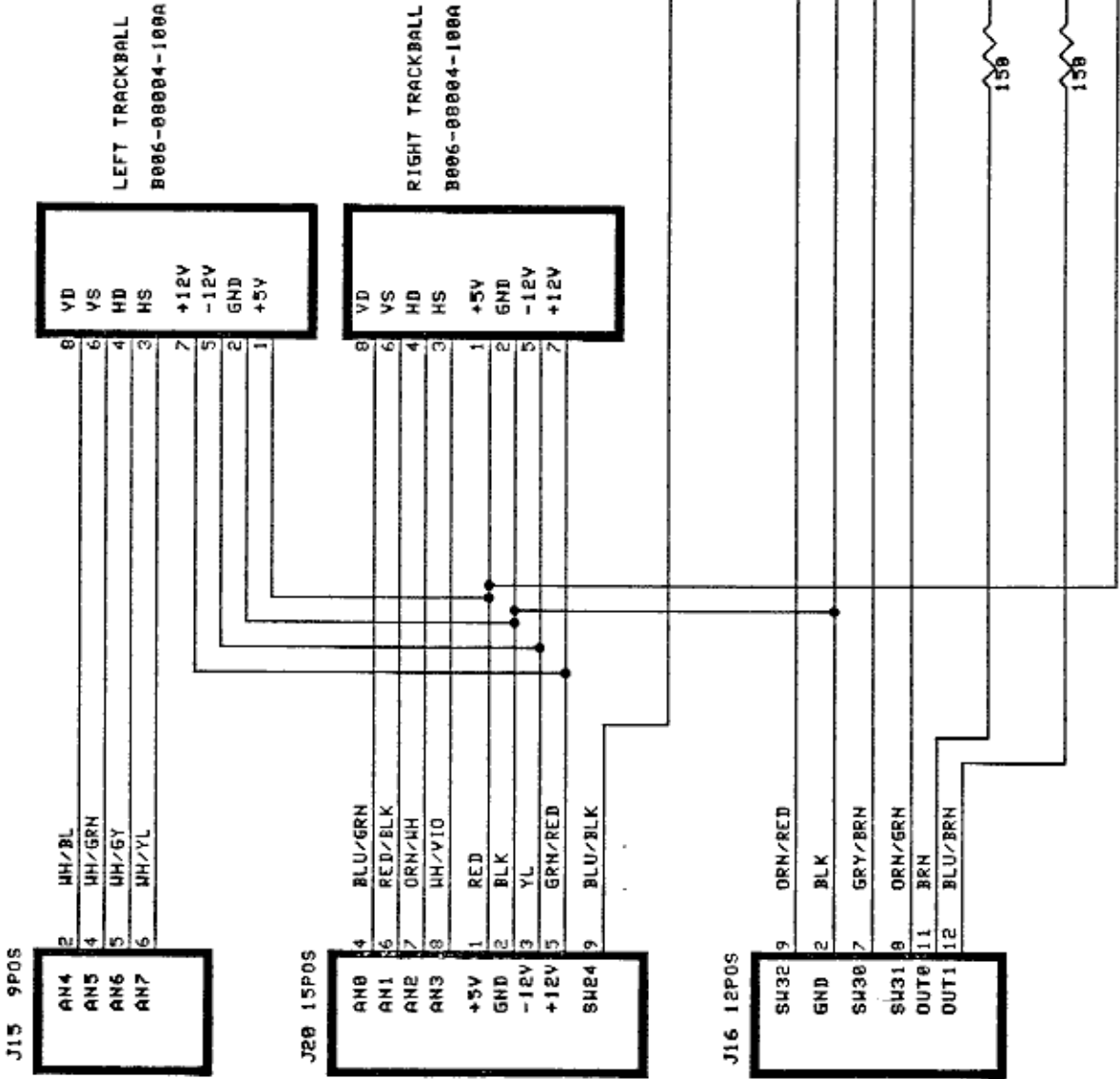
\* = recommended settings

KIT PARTS LIST: SPIKER U.R.  
PART NO. GE56-00001-0000

ORDER BY PART NUMBER ONLY

| ITEM | PART NO.        | DESCRIPTION                                 |
|------|-----------------|---|
| 1    | AE56-00004-0000 | INSERT ASSY.                                |
| 1A   | AE56-00005-0000 | INSERT CABLE ASSY.                          |
| 1B   | B006-08004-100A | TRACKBALL PCB ASSY. (2 REQ'D.)              |
| 1C   | 0E56-00100-00XF | PANEL: INSERT                               |
| 1D   | 0017-00009-0612 | TRACKBALL: CONTROL ASSY.                    |
| 1E   | 0017-00032-0092 | SWITCH: SPDT P.B. MOMENT. LED (2 REQ'D.)    |
| 1F   | 0017-00032-0093 | SWITCH: W/HOLDER, WHITE (4 REQ'D.)          |
| 1G   | 0017-00042-0260 | BUTTON: PUSH: ROUND: WHITE (4 REQ'D.)       |
| 1H   | 0929-00905-00XF | BEZEL: SWITCH                               |
| 2    | AE56-00300-0000 | KIT INSTRUCTION ASSY.                       |
| 2A   | M051-00E56-A007 | OPTION SWITCH SETTINGS TAG                  |
| 2B   | M051-00C47-A019 | MANUAL: SAC FIELD CONVERSION KIT            |
| 2C   | AE56-00301-0000 | GAME INFORMATION SHEET ASSY.                |
| 3    | A084-91834-AE56 | PROGRAMMED 128K CARTRIDGE W/SECURE          |
| 4    | U858-00632-0802 | 6-32 X 8 SOCKET BUTTON HD. SCREW (9 REQ'D.) |
| 5    | 0E56-00900-0000 | UNDERLAY: HEADER                            |
| 6    | 0019-00103-0052 | NUT 6-32 LOCKING (9 REQ'D.)                 |

M051-00E56-A006



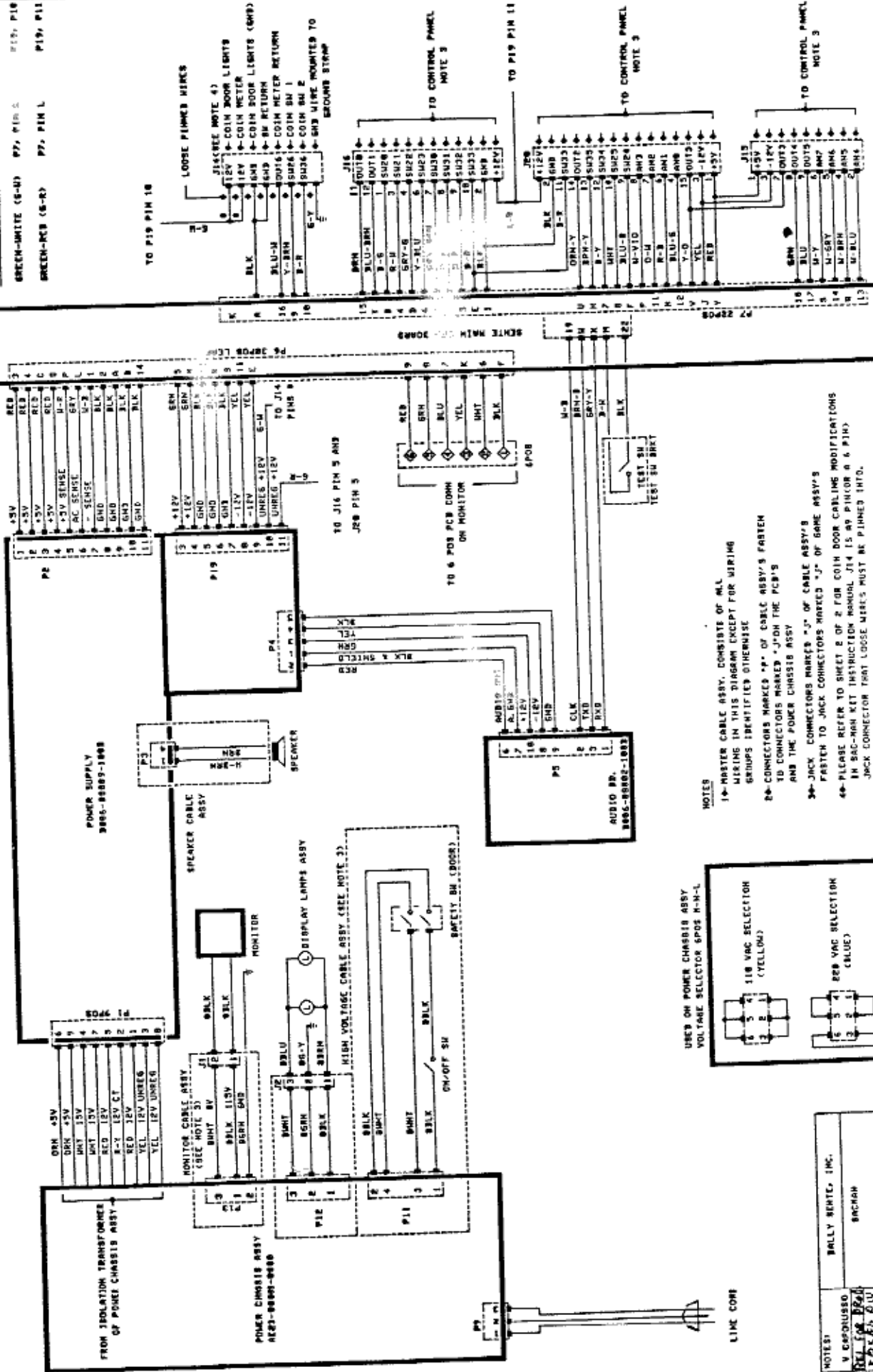
|         |                                      |
|---------|--------------------------------------|
| NOTES:  | BALLY MIDWAY MFG. CO.                |
| D STERN | CONTROL PANEL WIRING<br>SPIKER U. R. |
|         | M051-00E56-0005                      |
|         | SHEET OF REV                         |





REV. A

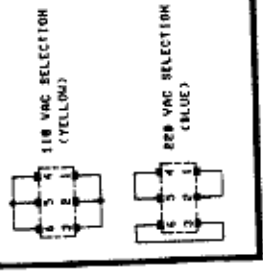
MASTER CABLE WIRE HAS CONNECTED TO MON  
GREEN-WHITE (S-W) P7, PIN 5 P19, P18  
GREEN-RED (S-R) P7, PIN 1 P19, P11



NOTES

- 1- MASTER CABLE ASSY. CONSISTS OF ALL WIRING IN THIS DIAGRAM EXCEPT FOR WIRING GROUPS IDENTIFIED OTHERWISE
- 2- CONNECTORS MARKED \*\* OF CABLE ASSY'S PARTEN TO CONNECTORS MARKED \* J'DH THE PCB'S AND THE POWER CHASSIS ASSY
- 3- JACK CONNECTORS MARKED \* J\* OF CABLE ASSY'S FASTEN TO JACK CONNECTORS MARKED \* J\* OF GAME ASSY'S
- 4- PLEASE REFER TO SHEET 2 OF 2 FOR COIN DOOR CABLING MODIFICATIONS IN SAC-NON KIT INSTRUCTION MANUAL J14 IS A9 PINCOR A & P10
- 5- JACK CONNECTOR THAT LOOSE WIRES MUST BE PINNED INTO.

USED ON POWER CHASSIS ASSY  
VOLTAGE SELECTOR SPDS R-N-L



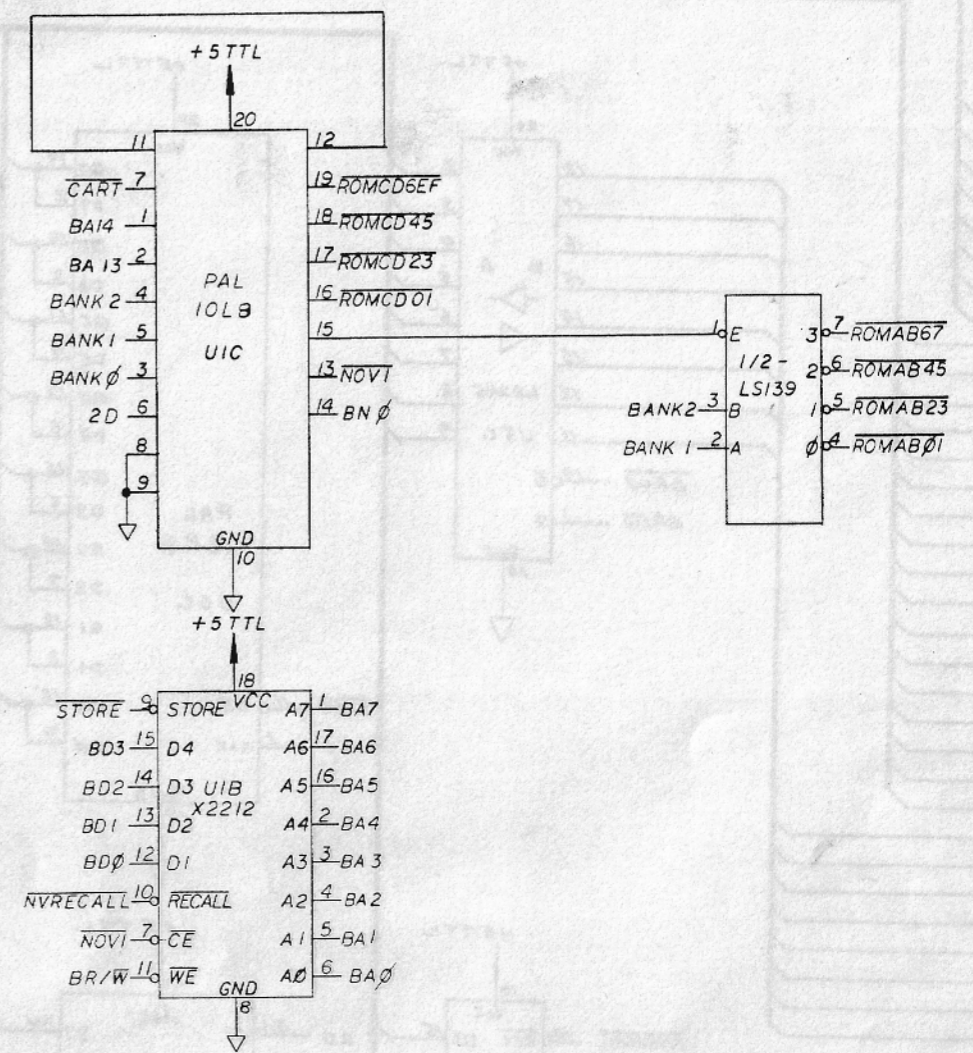
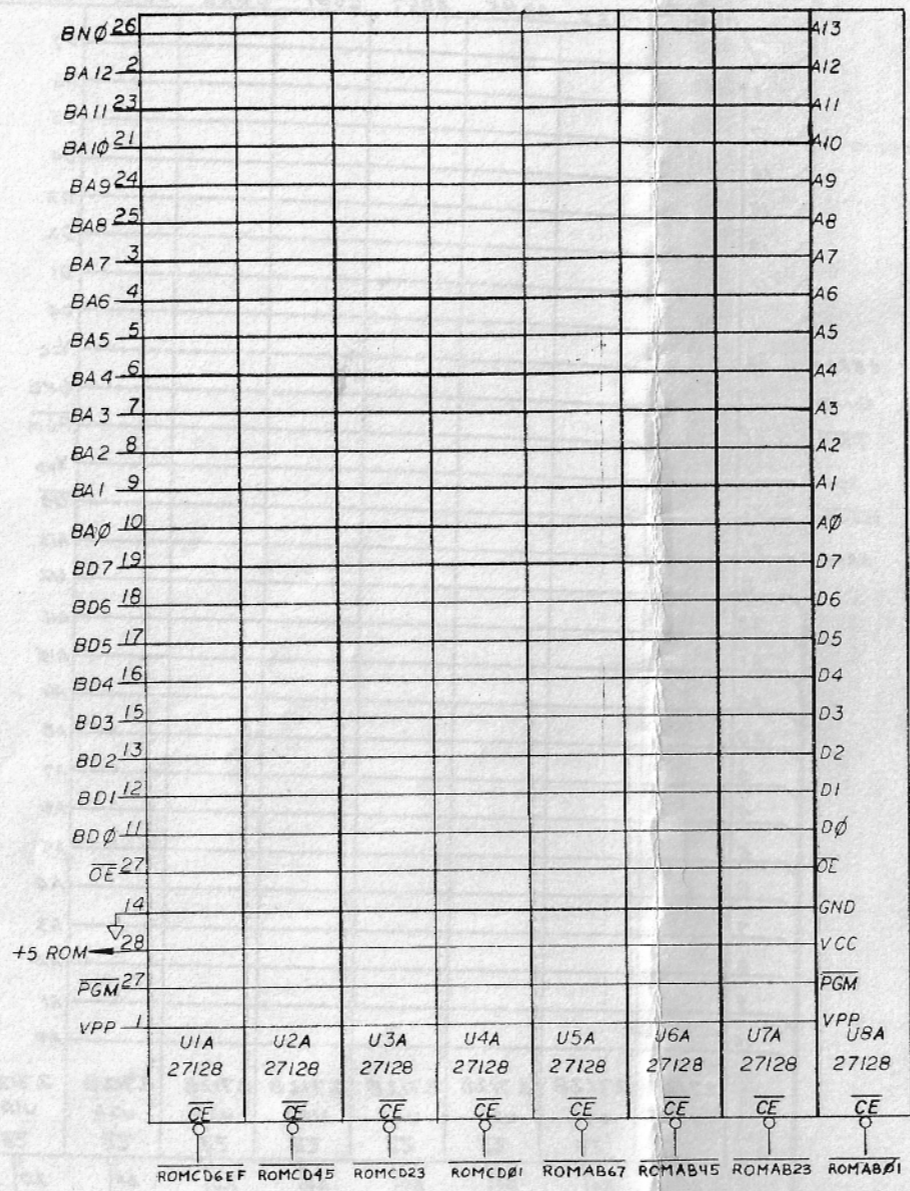
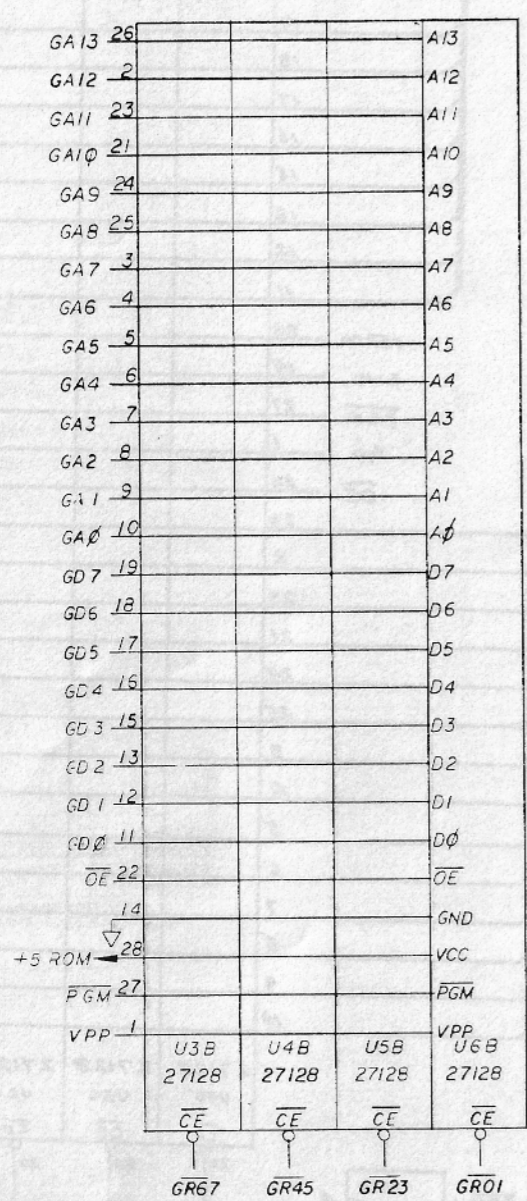
|                     |                     |
|---------------------|---------------------|
| NOTES:              | BALLY SERVICE, INC. |
| V. CAPOLUSSO        | BRONX               |
| 1/25/68             |                     |
| 1/25/68             |                     |
| NOS1-10023-0005     |                     |
| SHEET 1 OF 3 REV. A |                     |



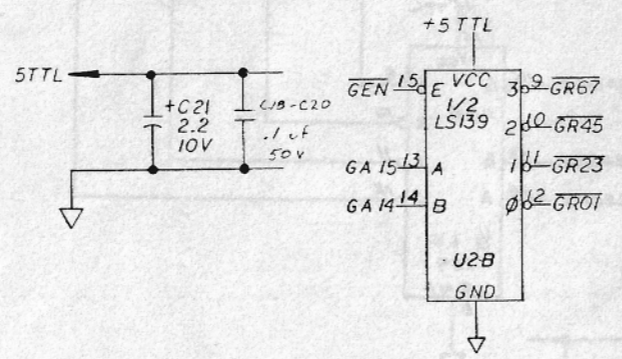
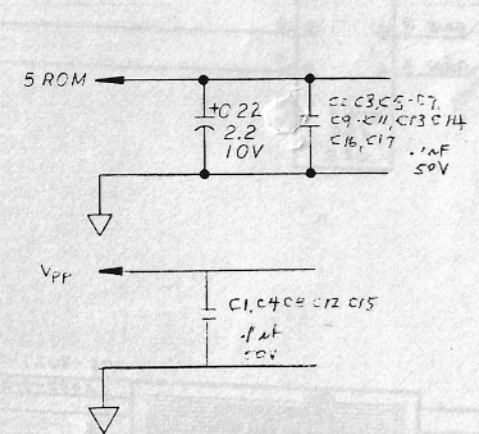


| REV | ECO NO. | REVISIONS DESCRIPTION | DATE   | APPROVED |
|-----|---------|-----------------------|--------|----------|
| A   | 2047    | PRODUCTION RELEASE    | 3/4/85 |          |

- 9 GEN
- 35 RESET
- 30 GA0
- 31 GA1
- 21 GA2
- 18 GA3
- 19 GA4
- 20 GA5
- 5 GA6
- 6 GA7
- 7 GA8
- 13 GA9
- 12 GA10
- 11 GA11
- 16 GA12
- 17 GA13
- 14 GA14
- 15 GA15
- 28 GD0
- 26 GD1
- 22 GD2
- 24 GD3
- 29 GD4
- 27 GD5
- 23 GD6
- 25 GD7
- 50 BAC
- 49 BA1
- 48 BA2
- 47 BA3
- 46 BA4
- 45 BA5
- 44 BA6
- 43 BA7
- 39 BA8
- 61 BA10
- 62 BA11
- 63 BA12
- 64 BA13
- 65 BA14
- 66 BA15
- 36 BR/W
- 38 2D
- 39 C
- 37 FRQ
- 42 BANK0
- 40 BANK1
- 41 BANK2
- 58 BD0
- 57 BD1
- 55 BD2
- 54 BD3
- 53 BD4
- 52 BD5
- 51 BD6
- 50 BD7
- 34 CART
- 32 NVRECALL
- 33 STORE
- 68 +5 ROM
- 69 +5 TTL
- 70 +5 ROM
- 2 +12
- 67 -12
- 1 -5
- 3 GND
- 4
- 72
- 71 OE
- 10 VPP
- 8 PGM



NOTES: UNLESS OTHERWISE SPECIFIED.  
1. ALL CAPACITORS ARE IN MICROFARADS, 1/50V.



RELEASED BY: WES

A082-91798-A000  
M051-00C47-A018

| ITEM | QTY | DESCRIPTION/MATERIAL | P/N REF |
|------|-----|----------------------|---------|
|      |     |                      |         |

UNLESS OTHERWISE SPECIFIED DIMENSIONS ARE IN INCHES TOLERANCES OR:

ANGLES = ± 1°

SURFACE FINISH: X = ± 1, XX = ± 0.1, XXX = ± 0.05

DO NOT SCALE DRAWING

DRAWN BY: E. STRATMANN DATE: 2-26-85

CHECKED:

ENGINEER:

MFG ENGINEER:

PROJECT ENGINEER:

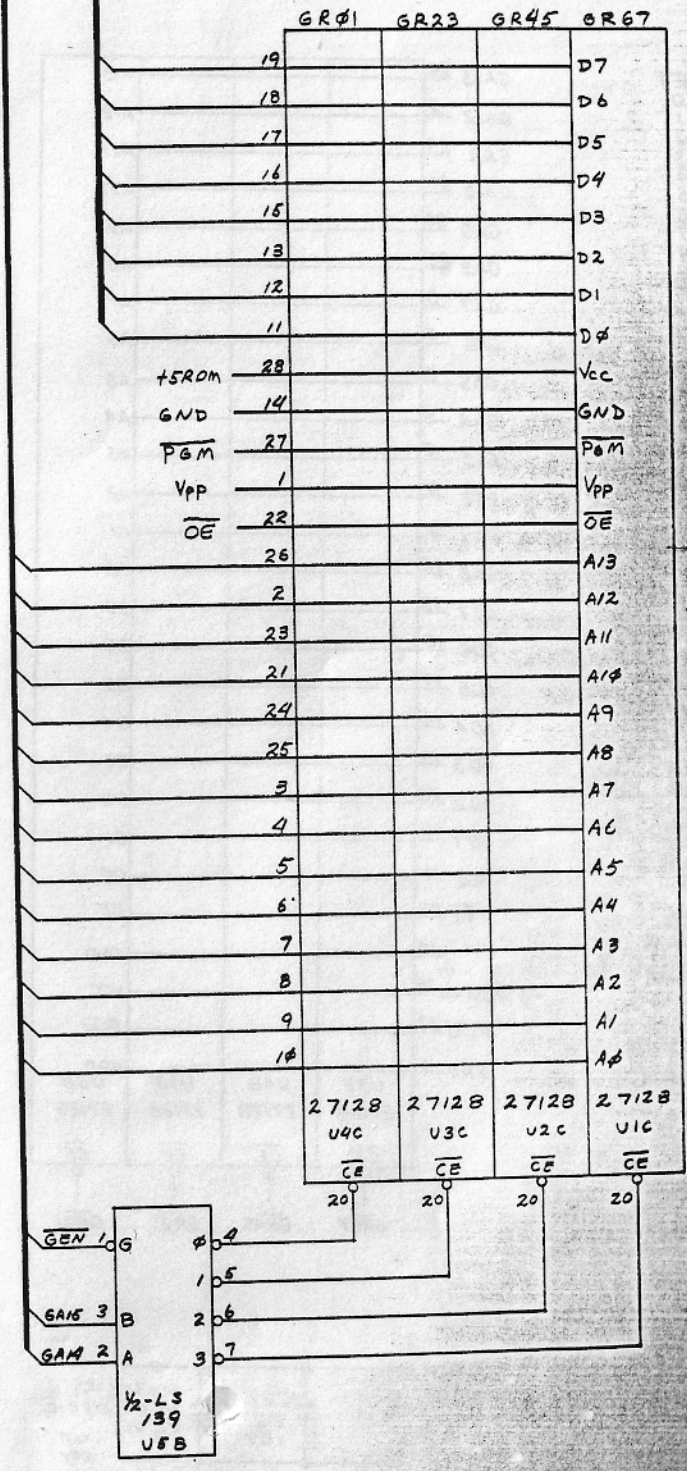
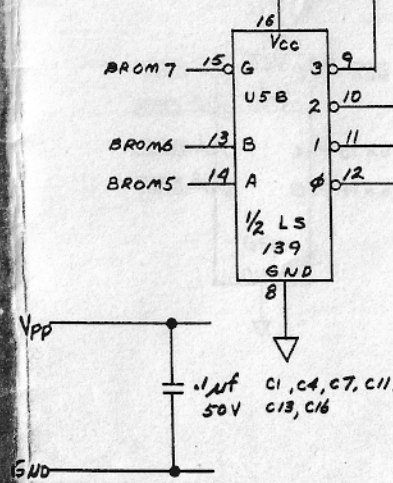
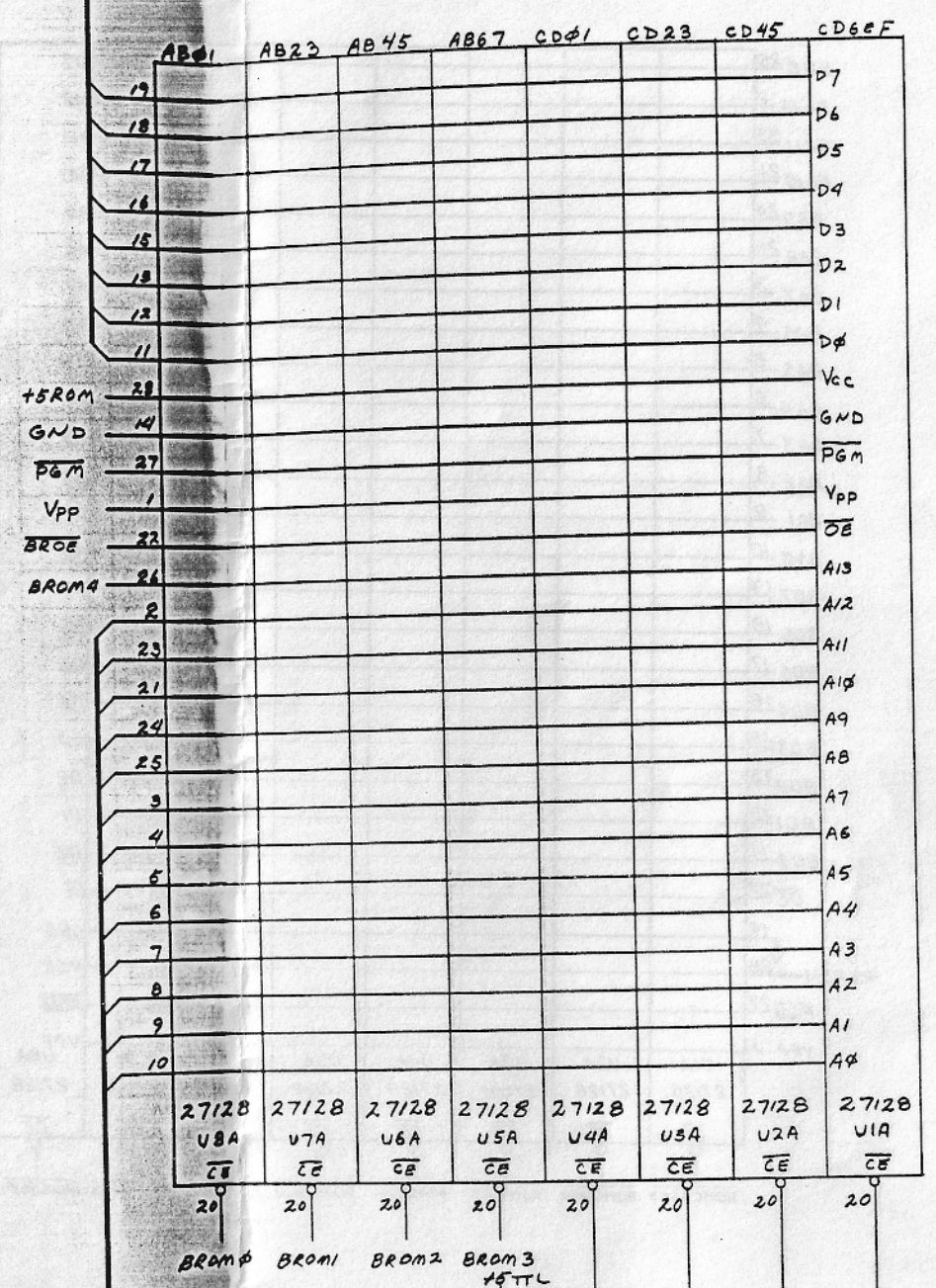
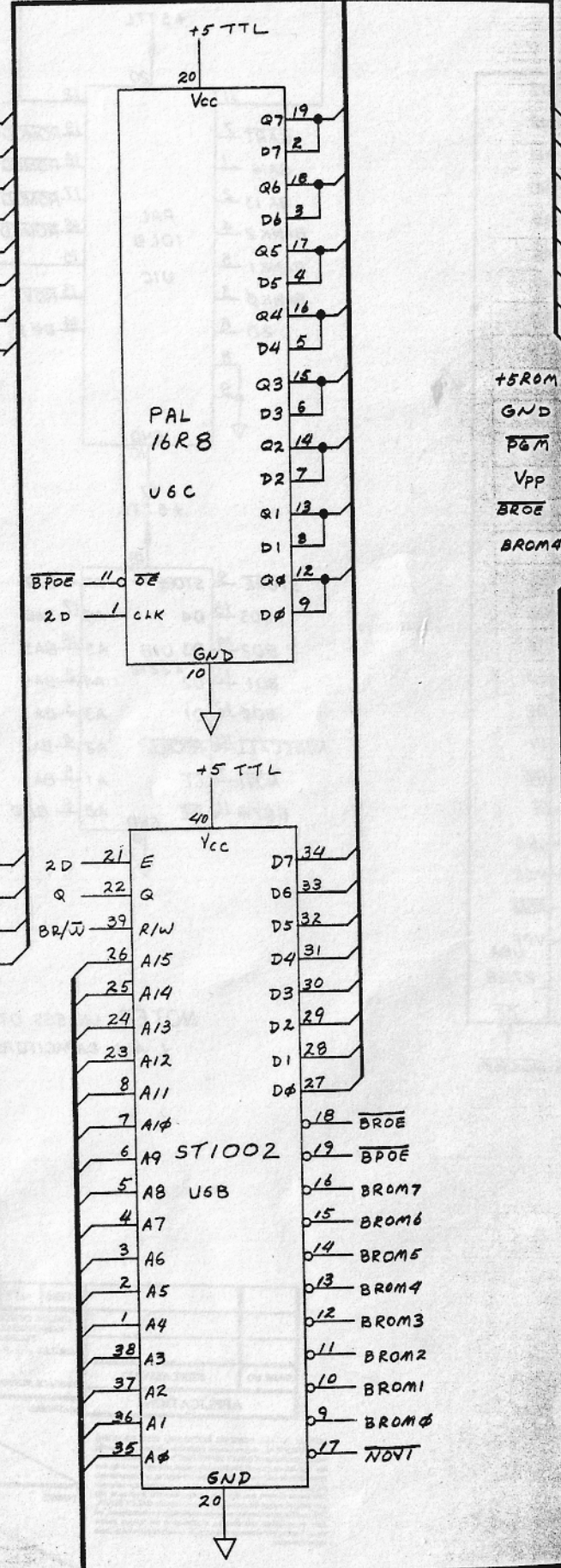
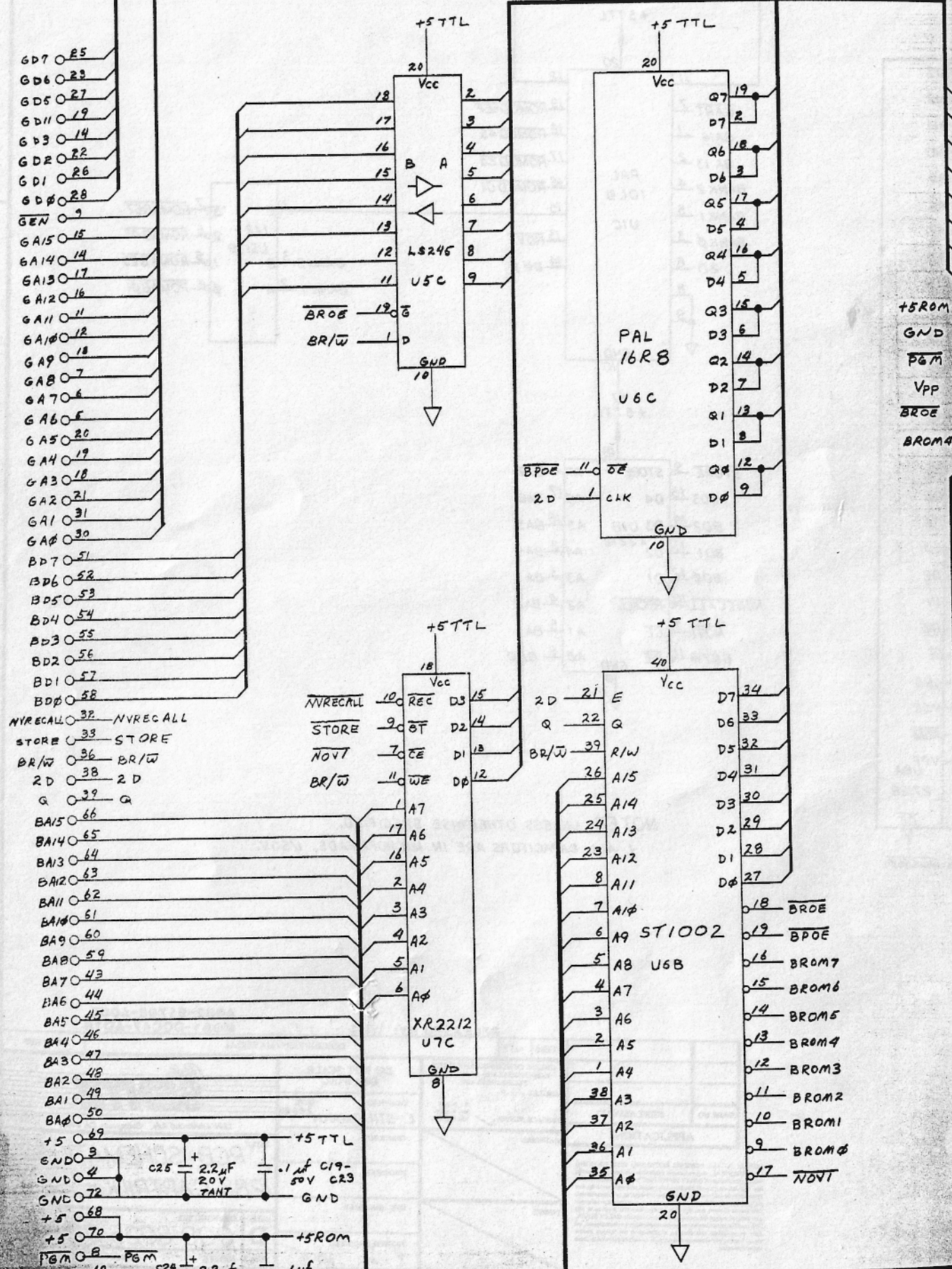
1289 Anvilwood Ave. Sunnyvale, CA 94089

TITLE: PCB SCHEMATIC  
128K CARTRIDGE, SAC-I

SIZE: D DRAWING NO: 008-8025-01 REV: A

SCALE: NONE SHEET: 4-19

NOTICE TO ALL PERSONS RECEIVING THIS DRAWING: CONFIDENTIAL. Reproduction Forbidden without the specific written permission of BALLY SENTE, INC., of Sunnyvale, California. This drawing is only conditionally issued, and neither receipt nor the subject matter of the drawing or any design or technical information shown thereon, nor any right to reproduce this drawing or any part thereof, except for manufacture by vendors for BALLY SENTE, INC. and for manufacture under the corporation's written license, nor right to reproduce this drawing is granted or the subject matter thereof unless by written agreement with or written permission from the corporation.



008-8027-01-0A REV. A.

108Z-9/894-A000

REVISIONS

PART NO. MO51-010114-A119.5

SCHEMATIC DRAWING CARTRIDGE. 128 K. SECURE

DATE 04/02/86

SCALE

UNLESS OTHERWISE SPEC. DIM. TOLERANCES: FRACTIONAL . . . . . ± .184 CONCENTRICITY T.I.R. . . . . ± .002 DECIMAL . . . . . ± .005 HOLE DIA. . . . . ± .002 - .000 ANGLE . . . . . ± 1/2° DO NOT SCALE DWG.