

# MIDWAY'S SPACE INVADERS PARTS CATALOG



**MIDWAY MFG. CO.**

A BALLY COMPANY

10750 WEST GRAND AVENUE  
FRANKLIN PARK, ILLINOIS 60131  
U.S.A.

**WARNING**  
 THIS GAME MUST BE GROUNDED. FAILURE TO DO  
 SO MAY RESULT IN DESTRUCTION TO ELECTRONIC  
 COMPONENTS.

1	GENERAL INSTRUCTIONS
2	SWITCH ADJUSTMENTS
3—5	NO. 739—SPACE INVADERS—PICTURE
6—7	FLUORESCENT FIXTURE ASSEMBLY
8—9	FRONT DOOR ASSEMBLY
10—11	TRANSFORMER BOARD ASSEMBLY
12	ADDITIONAL PARTS LIST
13	GAME BOARD COMPONENTS LAYOUT
14	MOTHER BOARD COMPONENTS LAYOUT
15	POWER SUPPLY COMPONENTS LAYOUT
16	POWER SUPPLY SCHEMATIC
17	MONITOR SCHEMATIC — (MOTOROLA)
18	MONITOR SCHEMATIC — (WELLS-GARDNER)
19—20	WELLS-GARDNER REPLACEMENT PARTS LIST

---

# TABLE OF CONTENTS

## GENERAL INSTRUCTIONS FOR "SPACE INVADERS"

### INSTALLATION:

1. Remove shipping cleats located on bottom of cabinet.
2. Install 4 provided leg levelers to bottom of cabinet and level cabinet.
3. The power is controlled by a switch located on top of the cabinet. Plug into A.C. only, 115 volts, 60 cycles. In low line areas (105 volts or less), a boost in the output voltage of the transformer may be obtained by removing the wire from the 115 volt tap of the transformer and rewiring it to the 105 volt position.

### VOLTAGE CONTROL POTS:

Located on power supply board (P.C. A080-90400-F000) and are preset at the factory. These pots should not be tampered with unless the Distributor Service Department is contacted.

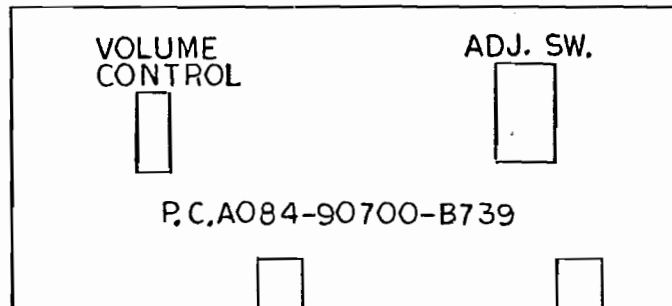
### MASTER VOLUME CONTROL:

Located on game logic board (P.C. A084-90700-B739) controls the volume of all sounds and may be varied as desired by rotating pots.

### ADJUSTMENT SWITCHES:

Located on game logic board (P.C. A084-90700-B739) and may be adjusted as indicated on separate instruction sheet in back box area.

1. No. of Missile Bases per game: Adjustable 3 to 6.
2. Bonus Missile Base: Awarded at 1,000 or 1,500 points.



### TO REMOVE CONTROL PANEL FOR SERVICE:

1. Open coin box door.
2. Unplug control panel jack located to the left of coin box opening.
3. Unlatch (2) clamps located on each side of cabinet.
4. Remove control panel for service.

NOTE - NO RAM AND ROM TEST

\*SWS 5, 6, 7 AND 8 ARE NOTUSED.

M051-00739-A010

6 BASES	OFF	OFF
5 BASES	OFF	ON
4 BASES	ON	OFF
3 BASES	ON	ON
	SW. 3	SW. 4

NUMBER OF BASES PER GAME

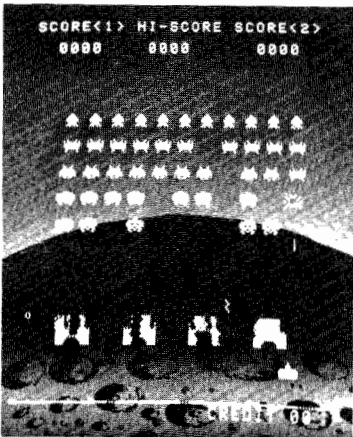
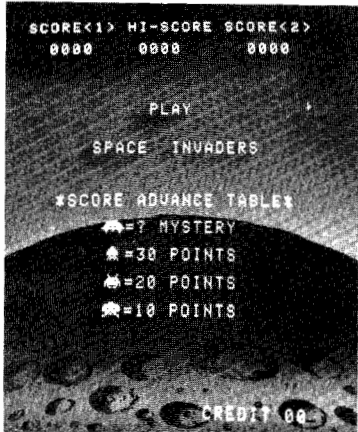
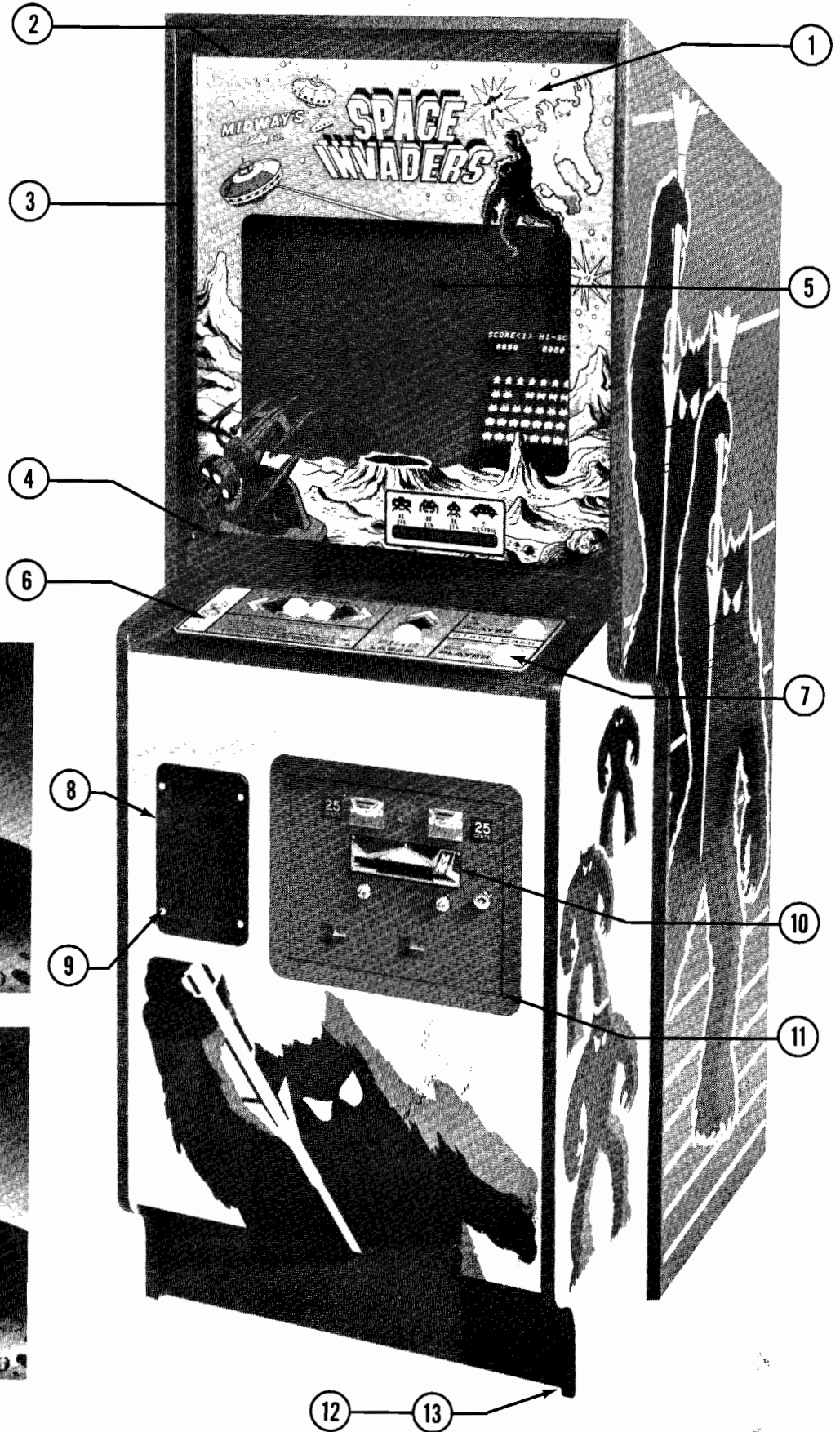
BONUS BASE AWARDED AT 1500 PTS.	ON
BONUS BASE AWARDED AT 1000 PTS.	OFF
	SW. 2

BONUS MISSILE BASE

COIN INFORMATION IS NOT DISPLAYED ON SCREEN	OFF
ON SCREEN	ON
COIN INFORMATION DISPLAYED	ON
1 COIN, 1 PLAYER	ON
2 COINS, 2 PLAYERS	OFF
	SW. 1

ADJUSTMENT SWITCHES

**NO. 739 – SPACE INVADERS – PICTURE**



NO. 739 – SPACE INVADERS – PICTURE

ORDER BY PART NUMBER ONLY

ITEM	PART N <sup>o</sup>	DESCRIPTION
	0017-00104-0022	#8 WASHER (4 TUBE, 4 CHASSIS)
	0017-00103-0061	#8-32 HEX LOCKNUT SEMS. (4 TUBE, 4 CHASSIS)
	0739-00902-0000	MIRROPANE MIRROR 24-13/16 x 23-3/4 x 1/4
	0739-00502-0000	LOCKING CLEAT (2 REQ'D.)
	0017-00101-0028	#8 x 3/4 HEX. HD. WD. SCR. (4 REQ'D.)
	0739-00102-0000	GLASS LOCK BRKTS. (2 REQ'D.)
	0739-00906-0000	SCREEN OVERLAY
	0739-00905-0000	CARDBOARD BEZEL
	A739-00010-0000	DAG SPRING ASSY.
	3000-17155-0000	GROUND STRAP
	0080-00101-0000	FISHPAPER SHIELD
	0017-00009-0033	BASIC CLAMP (2 REQ'D.)
	A739-00007-0000	DISPLAY INSERT
	0017-00031-0002	SOCKETS (5 REQ'D.)
	0017-00003-0052	LAMPS (5 REQ'D.)
	0017-00041-0037	SPONGE RUBBER TAPE - 24" LG.
	0586-00036-0000	ON-OFF SWITCH
	0567-00106-0100	SWITCH MTG. PLATE
	0017-00101-0025	#8 x 1/2 SLOT. HEX. HD. WD. SCR. (4 REQ'D.)

**NO. 739 – SPACE INVADERS – FLUORESCENT FIXTURE ASSEMBLY**

***ORDER BY PART NUMBER ONLY***

<b>ITEM</b>	<b>PART N<sup>o</sup></b>	<b>DESCRIPTION</b>
1	0017-00003-0046	18" FLUORESCENT LAMP (BLACK LIGHT)
2	0017-00021-0005	FLUORESCENT LOCKS (2 REQ'D.)
3	0017-00031-0015	LAMP HOLDERS (2 REQ'D.)
4	0017-00101-0521	#5 - 40 x 3/8 BINDER HD. M.S. (4 REQ'D.)
5	0017-00021-0078	BRASS FLUORESCENT TERM. (4 REQ'D.)
6	0017-00041-0013	GROMMETS (2 REQ'D.)
7	0017-00021-0096	2 TERMINAL JACK – FEMALE
8	0017-00003-0026	BALLAST
9	0017-00101-0593	#8-32 x 1/4 PAN HD. EXT. SEM. M.S. (2 REQ'D.)
10	0017-00021-0079	STARTER HOLDER
11	0017-00003-0019	STARTER
12	0017-00101-0528	#5-40 x 3/4 R.H.M.S. (2 REQ'D.)
13	0017-00101-0025	#8 x 1/2 HEX HD. WD. SCR. (4 REQ'D.)
14	A739-00015-0000	FLUORESCENT BRKT. WELDING ASSY.
		<b><u>NOT SHOWN LIST</u></b>
	0739-00901-00SC	PLANET ARTWORK
	0017-00101-0598	#8-32 x 5/16 HEX HD. S.T. M.S. (3 REQ'D.)

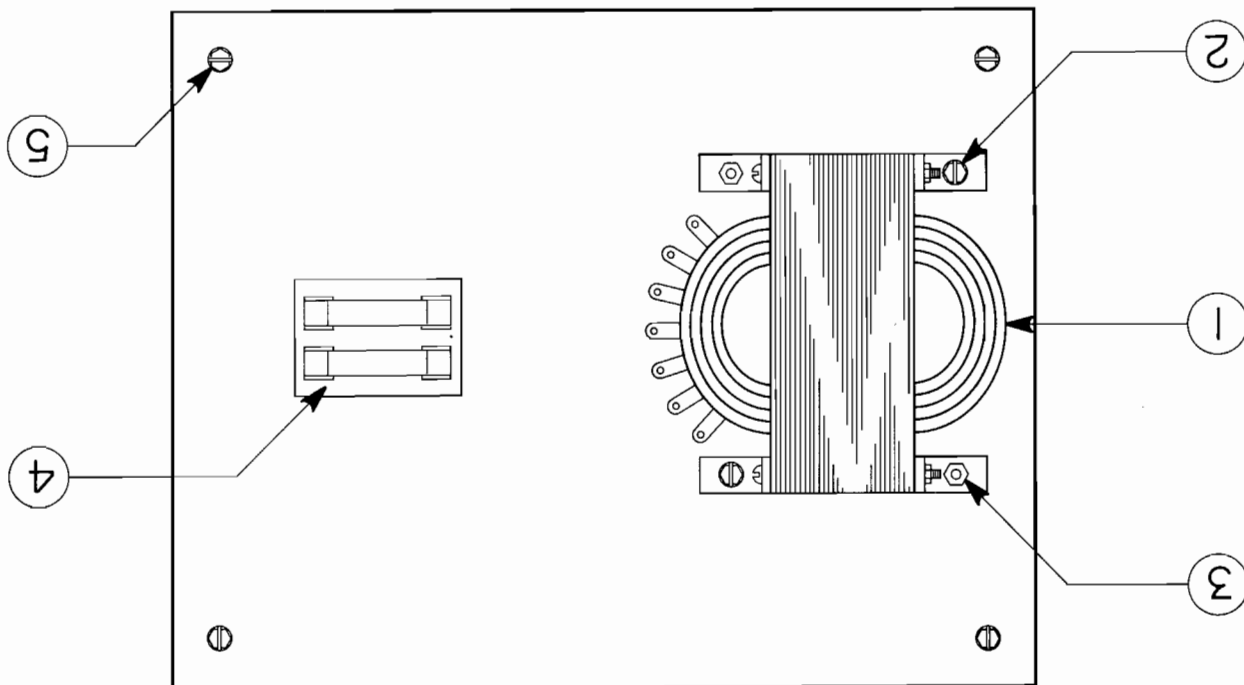
**NO. 739 – SPACE INVADERS – FRONT DOOR ASSY.**

***ORDER BY PART NUMBER ONLY***

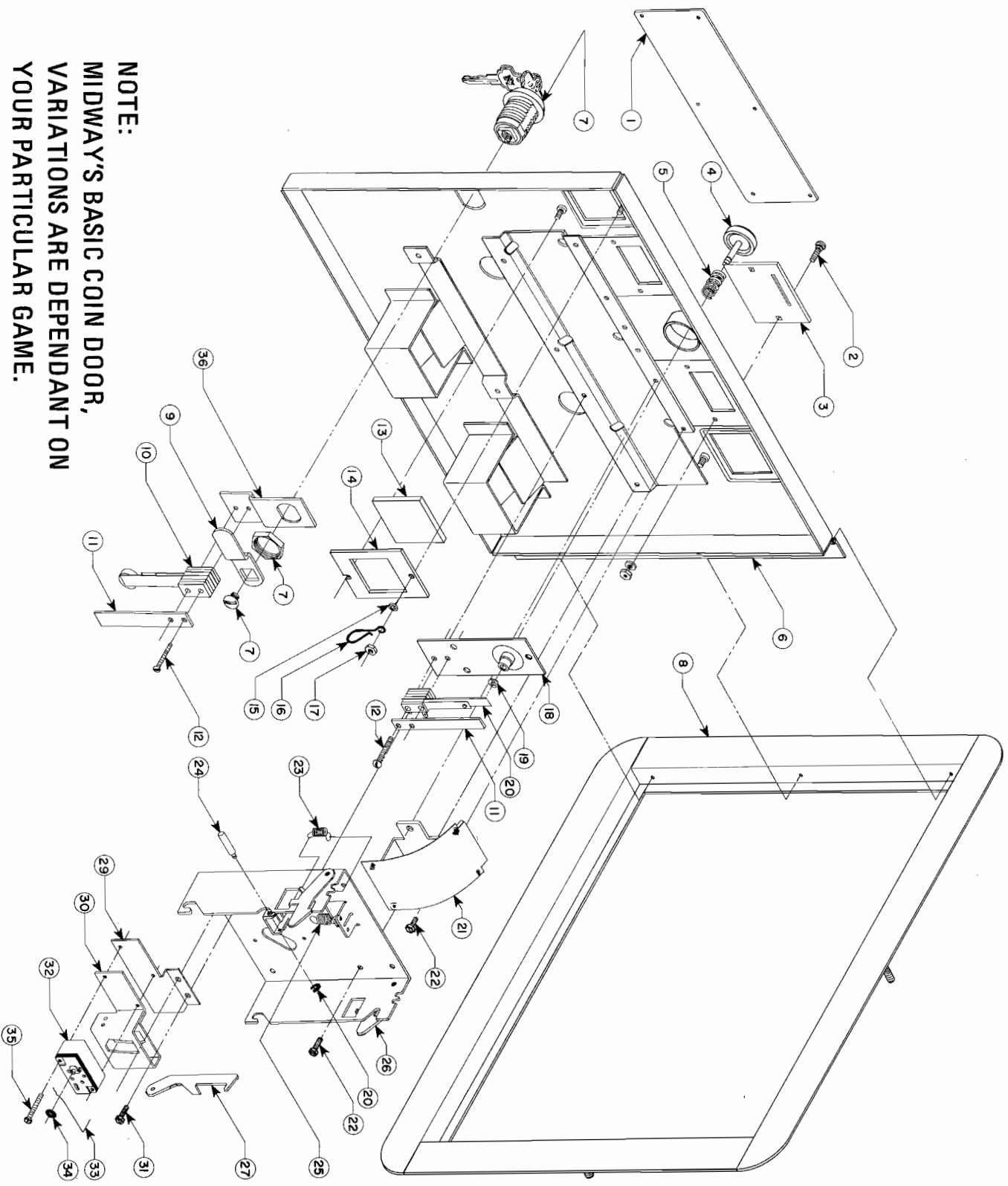
<b>ITEM</b>	<b>PART NO</b>	<b>DESCRIPTION</b>
1	0090-00902-0000	DRESS PLATE
	0090-00902-0100	DRESS PLATE (W/O PRESS BUTTON TO START GAME)
2	0017-00101-0552	#6-32 x 1/4 CARRIAGE BOLT (2)
3	0090-00117-0300	COIN ENTRY PLATE (25¢)
4	0090-00906-0000	PLASTIC START BUTTON
5	0010-00007-0000	COMPRESSION SPRING
6	0090-00013-0200	DOOR ASSY. DOUBLE ENTRY
7	0017-00005-0050	DOOR LOCK & KEY WITH SCREW & NUT
8	0090-00002-02BR	DOUBLE DOOR FRAME
9	0017-00005-0041	421 N.S. CAM
10	0090-00901-0000	DOOR SWITCH
11	0090-00126-0100	SWITCH BACKUP PLATE
12	0017-00101-0528	#5-40 x 3/4" LNG. M.S.
13	0090-00903-0040	25¢ WINDOW
14	0090-00143-0000	COIN PLEX RETAINER
15	0017-00104-0002	SPLIT LOCK WASHER
16	0017-00007-0019	KEY HOOK
17	0017-00103-0005	#6-32 HEX NUT
18	0090-00010-0000	SW. PLATE & OILLITE ASSY.
19	0017-00100-0018	"E" RING
20	0090-00131-0000	SWITCH
21	0090-00104-0000	TOP & BTM. COIN CHUTE W/BRKT. ASSY.
22	0017-00101-0598	#8-32 x 5/16 SCREW
23	0010-00181-0100	SPRING
24	0090-00129-0000	PIVOT POST
25	0010-00134-0000	SPRING
26	0090-00008-0000	ACCEPTOR FRAME ASSY.
27	0093-00155-0000	REJECTOR LEVER
28	0017-00100-0012	"E" RING
29	0093-00151-0000	COIN GUIDE MTG. BRACKET
30	0090-00005-0000	COIN GUIDE ASSY.
31	0017-00101-0555	#6-32 x 5/16 SCREW
32	0017-00005-0039	COIN SWITCH
33	0010-00557-2500	TRIP WIRE
34	0017-00007-0132	PUSH-ON RING (BIK)
35	0017-00101-0507	#4-36 x 3/4 SCREW
36	0090-00128-0000	SWITCH BRKT. – DOOR TILT



MIDWAY MFG. CO.  
A BALLY COMPANY

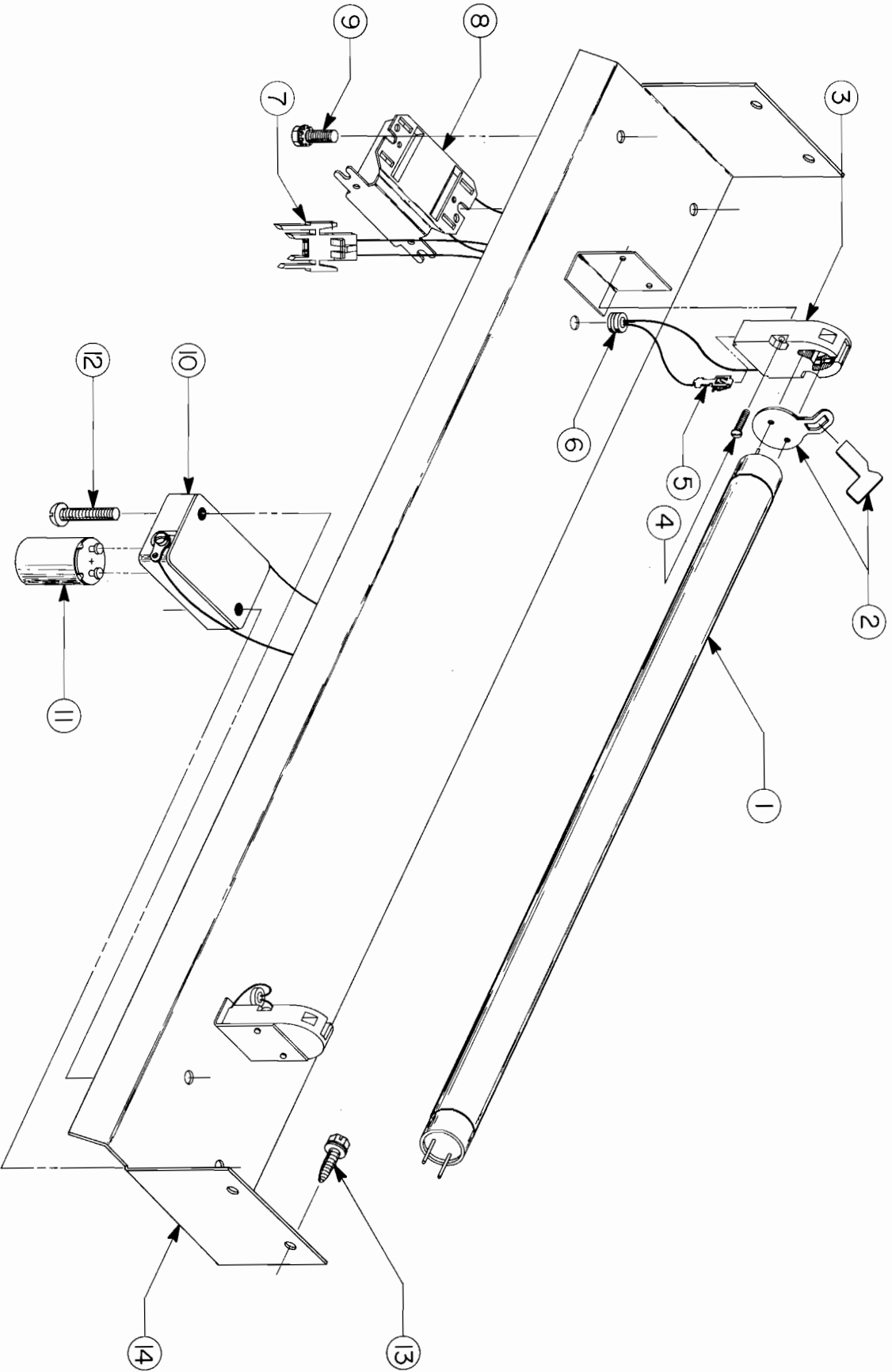


NO. 739 - SPACE INVADERS - TRANSFORMER BOARD ASSY.



**NOTE:**  
MIDWAY'S BASIC COIN DOOR,  
VARIATIONS ARE DEPENDANT ON  
YOUR PARTICULAR GAME.

**NO. 739 - SPACE INVADERS - FLUORESCENT FIXTURE ASSEMBLY**



**MIDWAY MFG. CO.**  
A BALLY COMPANY

ORDER BY PART NUMBER ONLY

ITEM	PART NO	DESCRIPTION
1	0739-00903-01SC	DISPLAY PLEX - 26-5/16 x 24-7/8 x 3/16
2	0537-00903-0015	GLASS CHANNEL - 24-1/4" LG.
3	0537-00903-0011	GLASS CHANNEL - 26-1/4" LG. (2 REQ'D.)
4	0629-00902-0100	GLASS LIFT CHANNEL
5	0739-00900-00SC	BACKGROUND SCENERY CARD
6	0739-00904-00SC	DECORATIVE PLATE
	0017-00101-0639	#8-32 x 1-1/4 CARRIAGE BOLTS (4 REQ'D.)
	0017-00104-0022	#8 WASHER (4 REQ'D.)
	0017-00103-0061	#8-32 HEX LOCKNUT SEMS. (4 REQ'D.)
7	A739-00012-0000	PUSH BUTTON ASSY. (5 REQ'D.)
	0017-00009-0384	BUTTON (5 REQ'D.)
	0017-00009-0376	HOUSING (5 REQ'D.)
	0010-00593-0000	SPRING (5 REQ'D.)
	0017-00104-0028	FLAT WASHER (10 REQ'D.)
	0017-00100-0025	"E" RING (5 REQ'D.)
	0017-00103-0054	PAL NUT (5 REQ'D.)
	0586-00107-0000	MTG. BRKT. (5 REQ'D.)
	0586-00036-0000	SWITCH ASSY. (5 REQ'D.)
	0017-00101-0521	#5-40 x 3/8 R.H.M.S. (5 REQ'D.)
	0020-00202-0000	SWITCH PLATE (5 REQ'D.)
8	0017-00009-0393	SPEAKER GRILL & HARDWARE
	0017-00003-0187	SPEAKER
9	0017-00101-0642	#8-32 x 1-1/2 CARRIAGE BOLTS M.S. (4 REQ'D.)
10	A090-00020-02GR	DOUBLE ENTRY COIN DOOR ASSY.
11	A090-00002-02GR	COIN DOOR FRAME
	0017-00101-0555	#6-32 x 5/16 HEX HD. S.M.S. (3 REQ'D.)
12	0017-00102-0048	LEG LEVELERS (4 REQ'D.)
13	0017-00103-0026	LEG LEVELER NUTS (4 REQ'D.)
	NOT SHOWN LIST	
	0017-00003-0164	19" CATHODE RAY TUBE (C.R.T.)
	0017-00003-0212	19" MONITOR CHASSIS
	0592-00104-0100	CHASSIS MTG. BRKT. - R.H.
	0592-00104-0200	CHASSIS MTG. BRKT. - L.H.
	0161-00100-0000	T.V. MTG. WASHER (4 REQ'D.)
	0017-00101-0639	#8-32 x 1-1/4 CARRIAGE BOLT (4 TUBE, 4 CHASSIS)

NO. 739 – SPACE INVADERS – TRANSFORMER BOARD ASSY.

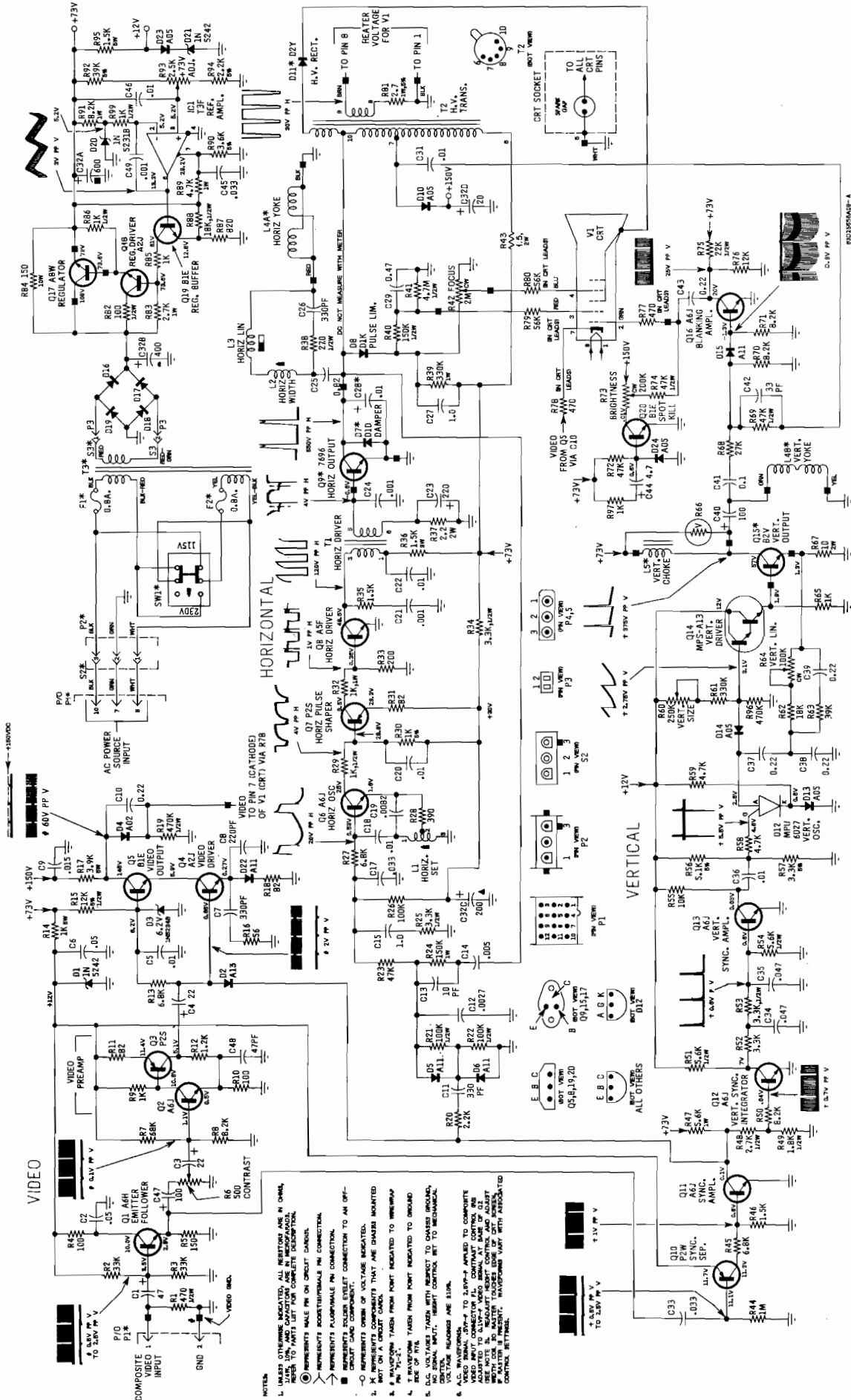
*ORDER BY PART NUMBER ONLY*

ITEM	PART N <sup>o</sup>	DESCRIPTION
1	MT00-00058-A000 MT00-00059-A000	TRANSFORMER – 60 CYCLE - OR - TRANSFORMER – 50 CYCLE – (FOREIGN)
2	0017-00101-0025	#8 x 1/2 SLOT. HEX HD. S.M.S. (2 REQ'D.)
3	0017-00101-0692 0017-00103-0008	#8-32 x 7/8 CARRIAGE BOLTS (2 REQ'D.) WITH #-32 HEX NUT (2 REQ'D.)
4	0720-00001-0200	FUSE BLOCK ASSY. (2 POSITION)
5	0017-00101-0030 0017-00101-0017	#8 x 1" HEX HD. WD. SCREW (4 REQ'D.) #6 x 1/2 HEX HD. S.M.S. (4 REQ'D.)
	0017-00003-0064 A630-00015-0000	<u>NOT SHOWN</u> LINE CORD – NOT SHOWN TRANSFORMER BOARD ASSY. – COMPLETE





POWER SUPPLY



M5000-155, M7000-155 - Diagram Schematic



# NOTES

---

This space is provided for personal notes



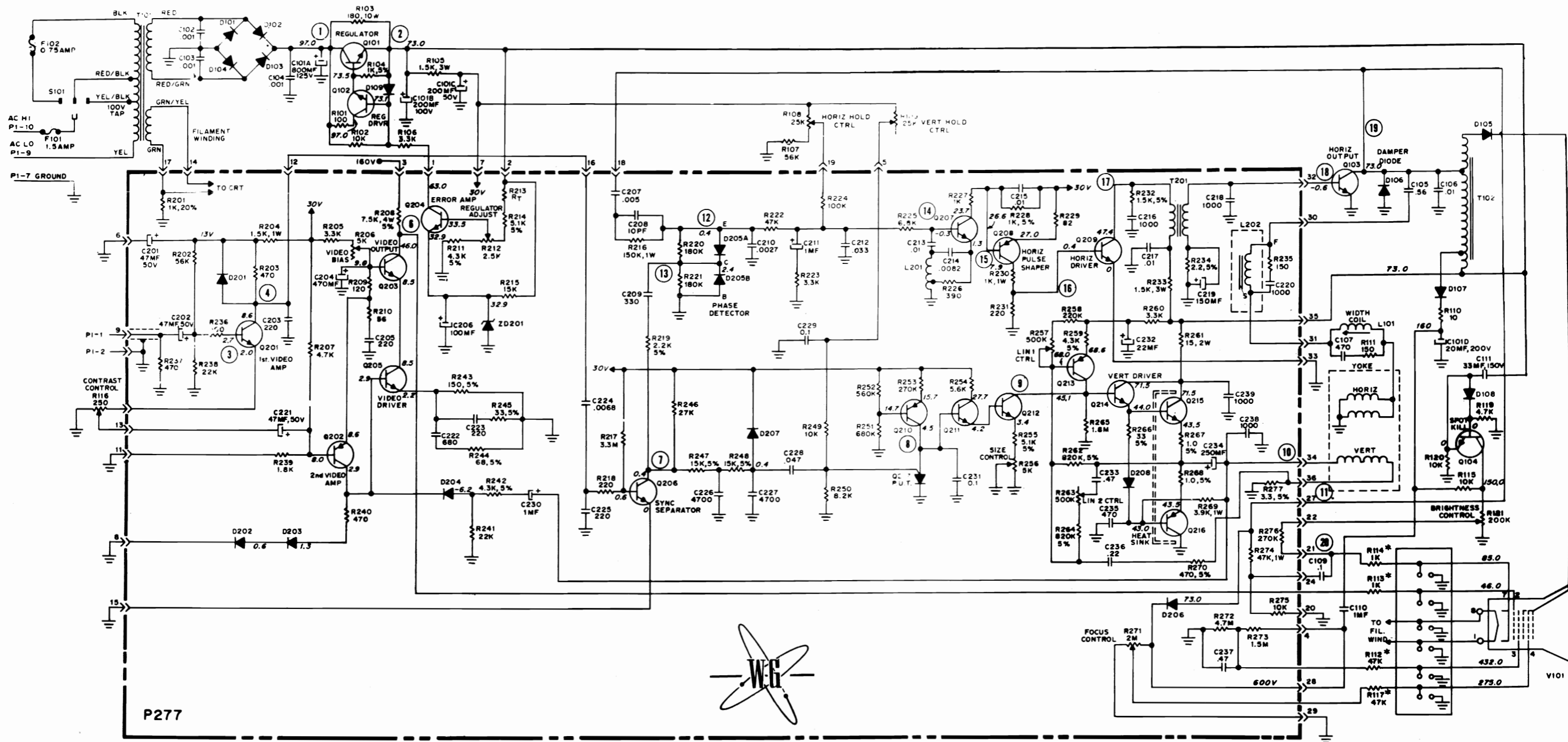


NO. 739 - SPACE INVADERS - ADDITIONAL PARTS LIST

ORDER BY PART NUMBER ONLY

ITEM	PART No	DESCRIPTION
	A739-00014-0000	LOWER BACK DOOR ASSY.
	A739-00013-0000	UPPER BACK DOOR ASSY.
	A097-00001-0000	LOCK ASSY. (1 UPPER, 1 LOWER)
	0618-00117-0000	VENT SCREEN (2 UPPER, 2 LOWER)
	A623-00110-0000	COIN BOX ASSY.
	A623-00013-0000	COIN BOX COVER ASSY.
	A624-00001-0000	COIN BOX GUIDE BRKT. ASSY.
	0624-00101-0000	COIN BOX GUIDE BRKT.
	0017-00101-0628	#8-32 x 3/4 CARRIAGE BOLTS (4 REQ'D.)
	0017-00104-0022	#8 STL. WASHER (4 REQ'D.)
	0017-00103-0061	#8-32 LOCKNUT SEMS. (4 REQ'D.)
	0017-00003-0102	COUNTER METER (MOUNTED ON COIN DOOR)
	M052-00190-0001	WIDE TRANSPARENT TAPE (ORANGE) - 13" x 1"
	0017-00009-0009	TURN BUTTONS (2 REQ'D.)
	0017-00101-0017	#6 x 1/2 HEX HD. BLK. WD. SCREW (2 REQ'D.)
	0603-00131-0000	STRIKE (2 REQ'D.)
	0017-00101-0028	#8 x 3/4 HEX HD. BLK. WD. SCR. (4 REQ'D.)
	0017-00003-0225	"CHEAT" INTERLOCK SWITCH
	0625-00133-0080	INTERLOCK SW. MOUNTING BRKT.
	0017-00101-0028	#8 x 3/4 HEX HD. BLK. WD. SCR. (2 REQ'D.)
	A084-90700-B739	GAME BOARD ASSY.
	A084-90000-K000	MOTHER BOARD ASSY.
	A082-90400-F000	POWER SUPPLY ASSY.
	A630-00015-0000	TRANSFORMER BOARD ASSY.
	0597-00012-0100	P.C. SUPPORT BRKT. ASSY. - RIGHT
	0597-00012-0200	P.C. SUPPORT BRKT. ASSY. - LEFT
	0624-00902-0100	P.C. SUPPORT BRKT. - 12" (4 REQ'D.)
	0624-00902-0300	P.C. SUPPORT BRKT. - 2-1/2" (4 REQ'D.)
	0017-00101-0017	#6 x 1/2 HEX HD. WD. SCR. (20 REQ'D.)
	0017-00104-0037	3/4 O.D. x 3/16 I.D. x 1/16 STL. WASHER (20 REQ'D.)
	0017-00009-0419	PIN EXTRACTOR TOOL (PIN POPPER)





P277

NOTES:

1. VOLTAGE MAY VARY WITH CONTROL SETTING.
2. LINE VOLTAGE MAINTAINED AT 120VAC, 50/60Hz.
3. ALL D.C. VOLTAGES  $\pm 10\%$  MEASURED FROM POINT INDICATED TO CHASSIS USING HIGH IMPEDANCE METER WITH NO SIGNAL INPUT. CONTRAST AND BRIGHTNESS CONTROLS AT MAXIMUM; ALL OTHER CONTROLS IN NORMAL OPERATING POSITION.
4. WITH INTERNAL NUMBER INDICATES LOCATION OF WAVE FORM READING.

# WELLS - GARDNER ELECTRONICS

CORPORATION

2701 N. KILDARE AVE. • CHICAGO, ILL. 60639 • ALBANY 2-8220

TELEX 25-3286

NOTES:

- \* INDICATES RESISTORS LOCATED IN PICTURE TUBE LEAD ASSEMBLY.
- RESISTANCE VALUES IN OHMS, 1/2 WATT, 10% UNLESS OTHERWISE NOTED. K=1,000 M=1,000,000
- CAPACITANCE VALUES OF 1 OR LESS ARE IN MICROFARADS. ABOVE 1 IN PICOFARADS UNLESS OTHERWISE NOTED.

*Model No.*  
V1001-5734

**REPLACEMENT PARTS LIST**

**CHASSIS PARTS**

**CAPACITORS**

C101A, B, C, D	45X0558-001	800 $\mu$ F/125V, 200 $\mu$ F/100V 200 $\mu$ F/50V, 20 $\mu$ F/200V Electrolytic
C102, 103	80X0001-000	.001 $\mu$ F, GMV Z5U Cer. Disc.
*C105	342X5642-049	.56 $\mu$ F, 400V, 10% Polypropylene
*C106	46X0536-001	.01 $\mu$ F, 1200V, 5% Polypropylene
C107	80X0099-006	470 pF, Z5F, 10%
C109	342X1044-040	0.1 $\mu$ F, 400V, 20% Mylar
*C110	46X0540-002	1.0 $\mu$ F, 630V, 10% Polyester Film
C111	45X0515-032	33 $\mu$ F, 150V, Electrolytic

**COILS & TRANSFORMERS**

R108, 109	40X0585-091	25k Ohm, Horiz. & Vert. Hold
R116	40X0585-090	250 Ohm, Contrast
R121	40X0585-092	200k Ohm, Brightness
*L101	9A2787-001	Coil, Width
*T101	53X0475-001	Transformer, Power
*T102	53X0474-001	Transformer, Flyback

**RESISTORS**

R101	340X3101-941	100 Ohm, 10%, 1/2W
R120	340X3103-941	10k Ohm, 10%, 1/2W
*R103	340X0181-341	180 Ohm, 10%, 10W, WW
R104	340X3102-931	1k Ohm, 5%, 1/2W
*R105	340X6152-341	1.5k Ohm, 10%, 3W, WW
R106	340X3332-941	3.3k Ohm, 10%, 1/2W
R107	340X3563-941	56k Ohm, 10%, 1/2W
R110	340X3100-941	10 Ohm, 10%, 1/2W
R111	340X3151-941	150 Ohm, 10%, 1/2W
R119	340X3472-941	4.7k Ohm, 10%, 1/2W

**SEMICONDUCTORS**

D101, 102	66X0023-009	Rectifier, Silicon 500V 1N444B
*D105	66X0067-001	Rectifier Varo H1802
*D106	66X0068-001	Diode, Damper MR1-1600
D107	66X0053-001	Diode, 350V Ampere BA148
*D108, 109	66X0046-001	Diode, Silicon FDH444
*Q101	86X0117-001	Transistor (NPN) 2N5632 Regulator
Q102	86X0071-001	Transistor (NPN) Reg. Driver
*Q103	86X0118-001	Transistor (NPN) BU207 Hor. Output
Q104	86X0065-001	Transistor (NPN) D40N5 Spot Kill

**MISCELLANEOUS**

*F101	16X0171-001	Fuse Holder
*F101	16X0176-001	Fuse, 1.5 Amp, Slo-Bio 3AG
*F102	16X0175-001	Fuse, 0.75 Amp, Slo-Bio 3AG
*F102	13X1201-001	HV Lead & Receipt Assy.
*	13X1201-001	Spring, Dag, Grounding
*	28X0789-001	Spring, Dag, Grounding
*	9A2786-001	Deflection Yoke & Clamp
*V101	19VARP4	CRT (19V1001)
or	or	or
*V101	22VATP4	CRT (22V1001)

**REPLACEMENT PARTS LIST  
P277 CIRCUIT BOARD ASSY.**

**RESISTORS (Cont'd.)**

340X3184-944	180k Ohm, 10%, 1/2W
340X3473-944	47k Ohm, 10%, 1/2W
340X3104-944	100k Ohm, 10%, 1/2W
340X3682-944	6.8k Ohm, 10%, 1/2W
340X3391-944	390 Ohm, 10%, 1/2W
340X3102-944	1k Ohm, 10%, 1/2W
340X3102-934	1k Ohm, 5%, 1/2W
340X3820-944	82 Ohm, 10%, 1/2W
*R229	340X3102-934
*R230	340X4102-843
R232	340X3152-934
*R233	340X6152-743
R234	340X5022-333
R235	340X33151-944
R236	340X3101-944
R238, 241	340X3223-944
R239	340X3182-944
R243	340X33151-934
R244	340X3680-934
R245, 266	340X3330-934
R246	340X3273-944
R247, 248	340X3153-934
R248	340X3103-944
R250	340X3822-944
R251	340X3684-944
R252	340X3564-944
R253, 276	340X3274-944
R254	340X3562-944
R258	340X3224-944
*R261	340X5150-843
R262, 264	340X3824-934
R265	340X3185-944
R267, 268	340X3010-934
R269	340X4392-843
R270	340X3471-934
R272	340X3475-944
R273	340X3155-944
*R274	340X4473-843
R277	340X3033-934

**CAPACITORS**

C201, 202	45X0524-027	47 $\mu$ F, 50V, Electrolytic
C203, 205	80X0099-057	220 pF, 10%, Z5F, Cer. Disc.
C204	45X0524-053	470 $\mu$ F, 16V, Electrolytic
C206	45X0524-051	100 $\mu$ F, 50V, Electrolytic
C207	80X0099-192	.005 $\mu$ F, 20V, 1KV, Cer. Disc.
C208	80X0099-036	10 pF, 10%, 500V, Cer. Disc.
C209	80X0099-013	330 pF, 10%, 500V, Cer. Disc.
C210	349X4722-109	.0027 $\mu$ F, 10%, Mylar
C211	45X0524-023	1.0 $\mu$ F, 15V, Electrolytic
C212	349X3332-109	.033 $\mu$ F, Mylar
C213	46X0537-002	.01 $\mu$ F, Poly
C214	46X0537-003	.0082 $\mu$ F, Poly
C215	349X1032-109	.01 $\mu$ F, 10%, 100V Mylar
C216, 218	220, 238	
C217	80X0099-076	1000 pF, 10%, 500V, Cer. Disc.
C219	45X0524-052	150 $\mu$ F, 10V, Electrolytic
C222	80X0099-137	680 pF, 10%, 500V, Cer. Disc.
C224	349X6822-109	.0068 $\mu$ F, 10%, 100V, Mylar
C226, 227	80X0099-056	4700 $\mu$ F, 10%, 500V, Cer. Disc.
C228	349X4732-109	.047 $\mu$ F, 10%, 100V, Mylar
C229	349X1044-109	0.1 $\mu$ F, 20%, 100V, Mylar
C230	45X0515-014	1.0 $\mu$ F, 50V, Electrolytic
C231	349X1042-109	0.1 $\mu$ F, 10%, 100V, Mylar
C232	45X0524-026	22 $\mu$ F, 100V, Electrolytic
C233	349X4742-109	.47 $\mu$ F, 10%, 100V, Mylar
C234	45X0524-025	250 $\mu$ F, 100V, Electrolytic
C235	80X0099-006	470 pF, 10%, Z5F, Cer. Disc.
C236	349X2242-109	.22 $\mu$ F, 10%, 100V, Mylar
C237	46X0540-001	.47 $\mu$ F, 10%, 630V, Polyester Film
R201	340X3102-954	1k Ohm, 20%, 1/2W
R202	340X3563-944	56k Ohm, 10%, 1/2W
R203, 237	340X3471-944	470 Ohm, 10%, 1/2W
*R204	340X4152-843	1.5k Ohm, 10%, 1.0W
R205, 223	340X3332-944	3.3k Ohm, 10%, 1/2W
R207	340X3472-944	4.7k Ohm, 10%, 1/2W
*R208	340X7752-733	7.5k Ohm, 5%, 4.0W
R209	340X3121-944	120 Ohm, 10%, 1/2W
R210	340X3560-944	56 Ohm, 10%, 1/2W
R211, 242	340X3432-934	4300 Ohm, 5%, 1/2W
R213	43X0467-001	Thermistor
R214, 255	340X3512-934	5.1k Ohm, 5%, 1/2W
R215	340X3153-944	15k Ohm, 10%, 1/2W
*R216	340X4154-843	150k Ohm, 10%, 1.0W
R217	340X3335-944	3.3M Ohm, 10%, 1/2W
R218, 231	340X3221-944	220 Ohm, 10%, 1/2W
R219	340X3222-934	2.2k Ohm, 5%, 1/2W

**COILS & TRANSFORMERS**

*L201	9A2788-001	Horiz. Osc.
*L202	9A2789-001	Horiz. Lin.
*T201	52X0126-001	Horiz. Driver

**RESISTORS**

Q201, 202	86X0113-001	Transistor (NPN) 2N3904
Q202, 208	86X0114-001	Transistor (NPN) 2N3906
Q203	86X0071-001	Transistor (NPN)
Q204, 212	86X0071-001	Transistor (NPN) MPSA06
Q207, 211	86X0058-002	Transistor (NPN) MPSA20
Q209	86X0116-001	Transistor Horiz. Driver (NPN)
Q210	86X0066-001	Transistor (NPN) MPSA70
Q213	86X0072-001	Transistor (NPN) MPSA56
Q214	86X0073-001	Transistor (NPN) MPSU07
Q215	86X0074-001	Transistor (NPN) 2N5192
Q216	86X0075-001	Transistor (NPN) 2N5195
Q217	86X0070-001	Transistor (P.U.T.) MPU131
ZD201	66X0040-004	Diode, Zener 31V

**MISCELLANEOUS**

38A5395-000	Fix Socket & Connector Assy.
-------------	------------------------------

\* Product Safety Device