

GAME NO. 775

MAY 1979

# **MIDWAY'S**

# **SPACE INVADERS**

COCKTAIL TABLE MODEL

# **PARTS CATALOG**



**MIDWAY MFG. CO.**

A BALLY COMPANY

10750 WEST GRAND AVENUE  
FRANKLIN PARK, ILLINOIS 60131  
U.S.A.

PHONE: (312) 451-1360 CABLE ADDRESS: MIDCO TELEX NO.: 72-1596

# TABLE OF CONTENTS

---

	Page No.
GENERAL INSTRUCTIONS	1—2
SWITCH ADJUSTMENTS	3
NO. 775 SPACE INVADERS COCKTAIL — PICTURE	4—6
ADDITIONAL PARTS LIST	7
GAME BOARD COMPONENTS LAYOUT	8

**WARNING**

**THIS GAME MUST BE GROUNDED. FAILURE TO DO SO MAY RESULT IN DESTRUCTION TO ELECTRONIC COMPONENTS.**

## GENERAL INSTRUCTIONS FOR "SPACE INVADERS" COCKTAIL TABLE

### Installation

1. Remove shipping cleats located on bottom of cabinet.
2. Install four (4) provided leg levelers to bottom of cabinet and level cabinet.
3. The power is controlled by a switch located on the bottom of the cabinet. Plug into A.C. only, 115 volts, 60 cycles. In low line areas (105 volts or less), a boost in the output voltage of the transformer may be obtained by removing the wire from the 115 volt tap of the transformer and rewiring it to the 105 volt position.

### Voltage Control Pots

Located on Power Supply Board (P.C. A080-90400-H000) and are preset at the factory. These pots should not be tampered with unless the Distributor Service Department is contacted.

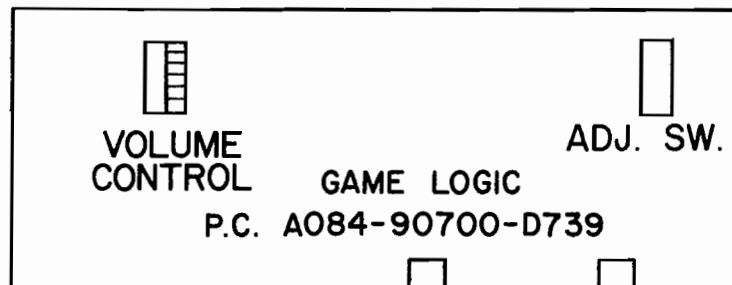
### Master Volume Control

Located on Game Logic Board (P.C. A084-90700-D739) controls the volume of all sounds and may be varied as desired by rotating pot.

### Adjustment Switches

Location on Game Logic Board (P.C. A084-90700-D739) and may be adjusted as indicated on separate instruction sheet in cabinet.

1. No. of Laser Bases per game: Adjustable 3 to 6.
2. Bonus Laser Base: Awarded at 1,000 or 1,500 points.



## GENERAL INSTRUCTIONS FOR "SPACE INVADERS" COCKTAIL TABLE

### Line Voltage Safety Switch

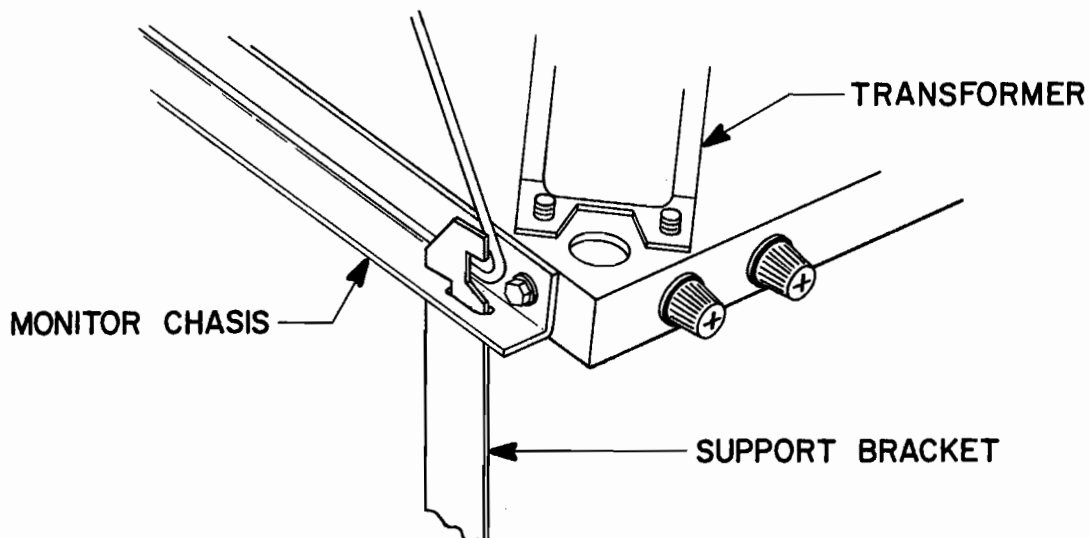
A line Voltage Safety Switch has been provided for your protection. It is located in the cabinet on the left side of the coin door. When the coin door is opened the circuit to the line voltage is interrupted. To restore power (when servicing), pull switch fully out.

### To Service Game Logic Board

The Game Logic Board assembly is easily serviced by removing rear access door panel.

### To Service Monitor

1. Open coin box door.
2. Release two clamps located above coin door opening. **CAUTION: NEVER RELEASE CLAMPS UNLESS THE LINE VOLTAGE IS INTERRUPTED VIA SAFETY SWITCH.**
3. Rotate top panel on its hinges to an upright position.
4. Place Monitor Support Bracket (located on left cabinet wall) in provided hole in monitor chasis.
5. To restore power to monitor, pull safety switch fully out.



M051-00775-A012

---

**ADJUSTMENT SWITCHES**

---

COIN INFORMATION DISPLAYED ON SCREEN	SW. 1 ON
COIN INFORMATION IS NOT DISPLAYED ON SCREEN	OFF

---

**BONUS LASER BASE**

---

BONUS BASE AWARDED AT 1000 PTS.	SW. 2 OFF
BONUS BASE AWARDED AT 1500 PTS.	ON

---

**NUMBER OF BASES PER GAME**

---

	SW. 3	SW. 4
3 BASES	ON	ON
4 BASES	ON	OFF
5 BASES	OFF	ON
6 BASES	OFF	OFF

---

**GAME SELECTION (UPRIGHT-TABLE)**

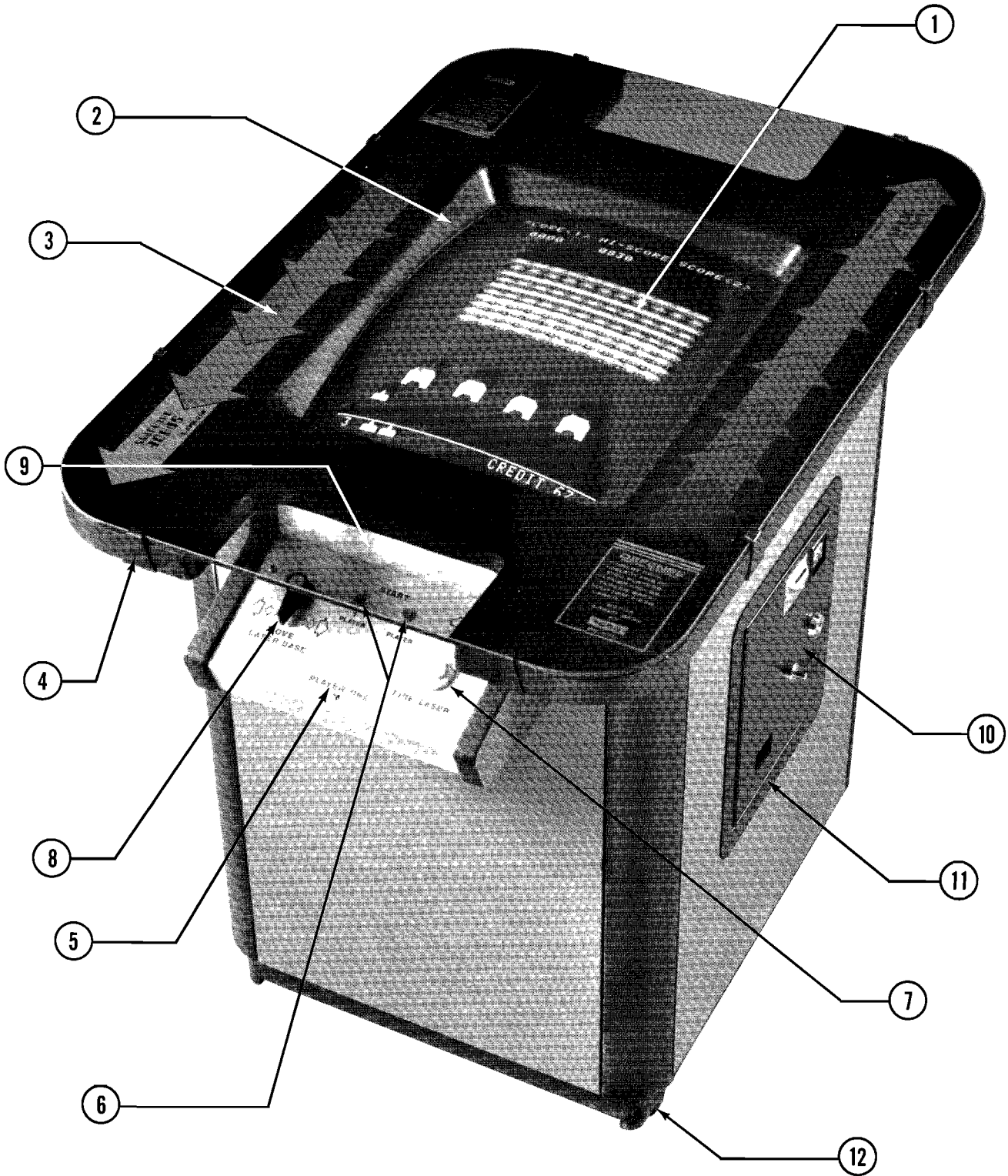
---

	SW. 5	SW. 6	SW. 7	SW. 8
UPRIGHT MODEL	ON	ON	ON	ON
TABLE MODEL	OFF	OFF	OFF	OFF

---

M051-00775-A010

**NO. 775 – SPACE INVADERS COCKTAIL – PICTURE**



**NO. 775 – SPACE INVADERS COCKTAIL – PICTURE**

***ORDER BY PART NUMBER ONLY***

<b>ITEM</b>	<b>PART NO</b>	<b>DESCRIPTION</b>
1	0017-00003-0242	MONITOR W/CHASSIS - WELLS GARDNER
	0775-00111-00XF	TUBE BRKT. (4 REQ'D.)
2	0017-00101-0082	#10 x 3/4 HEX HD. S.M.S. (8 REQ'D.)
	0749-00901-0000	T.V. BEZEL
3	0775-00900-00XF	GLASS TOP
4	0775-00104-00XF	GLASS CLIPS (8 REQ'D.)
	0017-00101-0742	#8 x 1/2 PHL. TURSS HD. S.M.S. (16 REQ'D.)
5	0775-00106-00XF	ESCUTCHEON - MAIN
	0775-00107-00XF	ESCUTCHEON - R.H. (NOT SEEN)
	A775-00003-0000	SHELF PLATE ASSY. (2 REQ'D.)
6	0017-00032-0051	BUTTON SWITCH W/WASHER & NUT (2 REQ'D.)
7	A739-00017-0000	PUSH BUTTON ASSY. (2 REQ'D.)
	0586-00036-0000	PUSH BUTTON SW. (2 REQ'D.)
8	0020-00202-0000	SWITCH PLATE (2 REQ'D.)
	0017-00101-0522	#5-40 x 7/16 RD. HD. M.S. (4 REQ'D.)
	A775-00001-0000	KNOB & SHAFT ASSY. (2 REQ'D.)
	0017-00100-0050	"E" RING (4 REQ'D.)
	0775-00902-0000	ROLLER (2 REQ'D.)
	0775-00701-00XF	POST (2 REQ'D.)
	0017-00100-0015	"E" RING (2 REQ'D.)
	0017-00101-0720	#10-32 x 3/4 SOC. HD. CAP SCR. W/LOCKING DEVICE (NYLON) (2 REQ'D.)
	A775-00005-0000	SWITCH ASSY. (4 REQ'D.)
	0020-00240-0012	TENSION LEAF (4 REQ'D.)
9	0020-00202-0000	SW. PLATE (4 REQ'D.)
	0017-00101-0525	#5-40 x 9/16 RD. HD. M.S. (8 REQ'D.)
	0775-00901-0000	LIGHT SHIELD (2 REQ'D.)
	0775-00100-00XF	SHELF BRKT. (4 REQ'D.)
	0775-00112-00XF	BRKT. DECAL (2 REQ'D.)
	0017-00101-0017	#6 x 1/2 HEX HD. W/W. BLK. S.M.S. (4 REQ'D.)
	0017-00031-0006	LIGHT SOCKET (6 REQ'D.)
	0017-00003-0052	LAMP (6 REQ'D.)
	0017-00101-0014	#6 x 1/2 HEX HD. W/W. S.M.S. (10 REQ'D.)
	10	A090-00058-0000
11	0090-00002-01BK	FRONT DOOR FRAME

**NO. 775 – SPACE INVADERS COCKTAIL – PICTURE**  
**ORDER BY PART NUMBER ONLY**

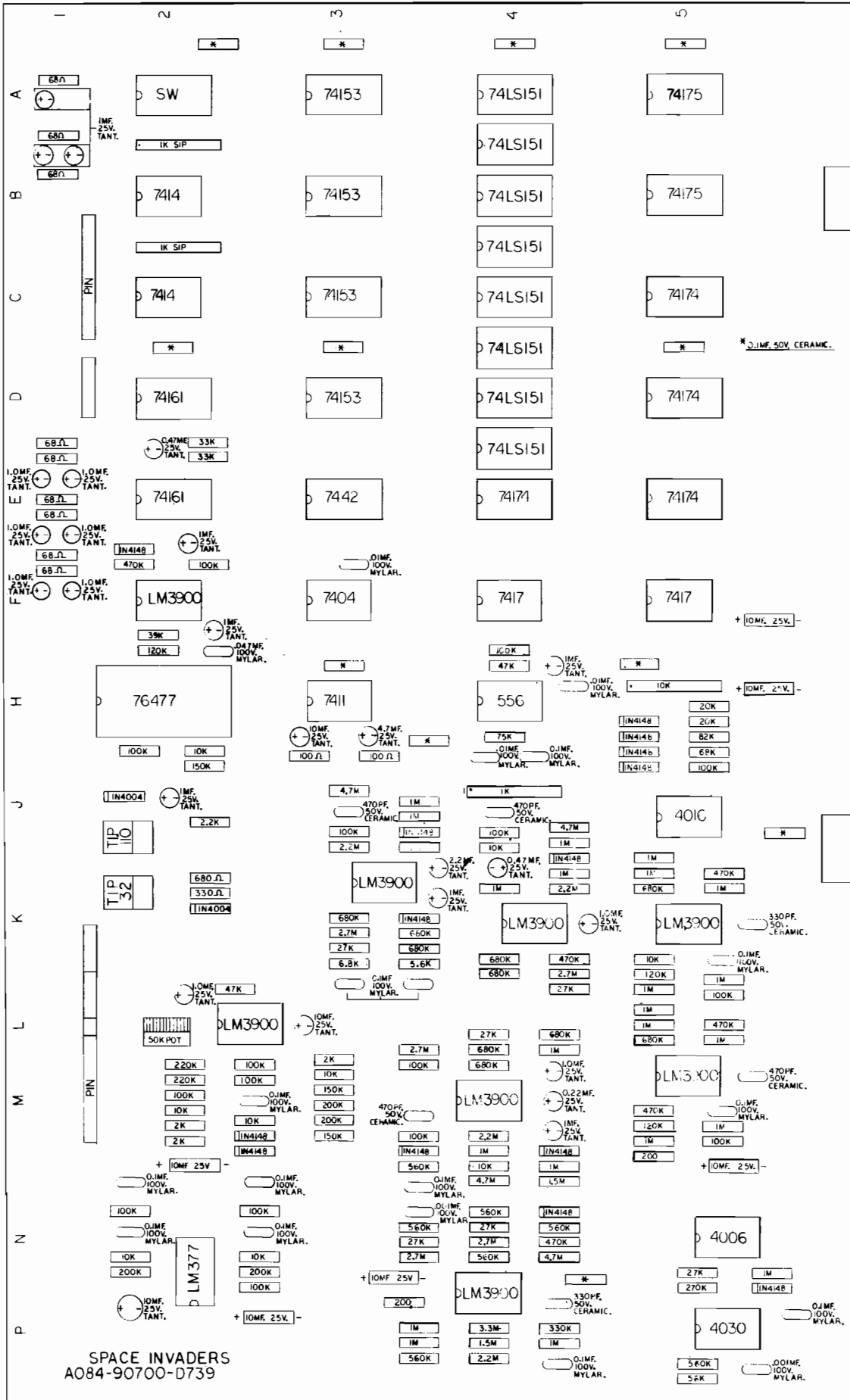
ITEM	PART NO	DESCRIPTION
12	0017-00102-0048 0017-00103-0026  0017-00003-0222 0775-00110-00XF 0749-00106-00XF 0017-00101-0347 0017-00104-0009 0017-00103-0005 0017-00101-0026  0017-00003-0187 0017-00009-0393 0017-00101-0642 0017-00103-0061 0017-00009-0393 0017-00101-0639  0017-00009-0033 0017-00101-0026 0610-00132-0000 0017-00101-0028 0017-00009-0439 0017-00101-0082 0017-00101-0014 0749-00105-00XF 0017-00101-0082 0017-00104-0038 A749-00005-0000 0017-00101-0026 A627-00066-0000 0017-00101-0017	LEG LEVELERS (4 REQ'D.) LEG LEVELER NUTS (4 REQ'D.)  <u>NOT SHOWN LIST</u> <u>FAN ASSY.</u> FAN FAN PLATE VENT SCREEN #6-32 x 1/2 PHIL. R.H. M.S. SEMS. (4 REQ'D.) #6 EXT. WASHER (4 REQ'D.) #6-32 HEX NUT (4 REQ'D.) #8 x 5/8 SLOT. HEX HD. S.M.S. (4 REQ'D.)  <u>SPEAKER ASSY.</u> SPEAKER SPEAKER GRILL #8-32 x 1-1/2 CARRIAGE BOLTS (4 REQ'D.) #8-32 HEX NUT SEMS. (12 REQ'D.) VENT GRILL (2 REQ'D.) #8-32 x 1-1/4 CARRIAGE BOLTS (8 REQ'D.)  BASSICK CLAMP (2 REQ'D.) #8 x 5/8 HEX. HD. S.M.S. (4 REQ'D.) STRIKE (2 REQ'D.) #8 x 3/4 HEX HD. S.M.S. (4 REQ'D.) HINGE (TOP ASSY.) (2 REQ'D.) #10 x 3/4 HEX HD. S.M.S. (4 REQ'D.) #6 x 7/8 OVAL HD. WD. SCR. (2 REQ'D.) PROP (SUPPORT) #10 x 3/4 HEX HD. S.M.S. 3/4 x 1/4 x 1/16 STL. WASHER (2 REQ'D.) INTERLOCK SWITCH ASSY. #8 x 5/8 HEX HD. S.M.S. (3 REQ'D.) ON-OFF SWITCH ASSY. #6 x 1/2 HEX HD. S.M.S. (6 REQ'D.)



NO. 775 – SPACE INVADERS COCKTAIL – ADDITIONAL PARTS LIST

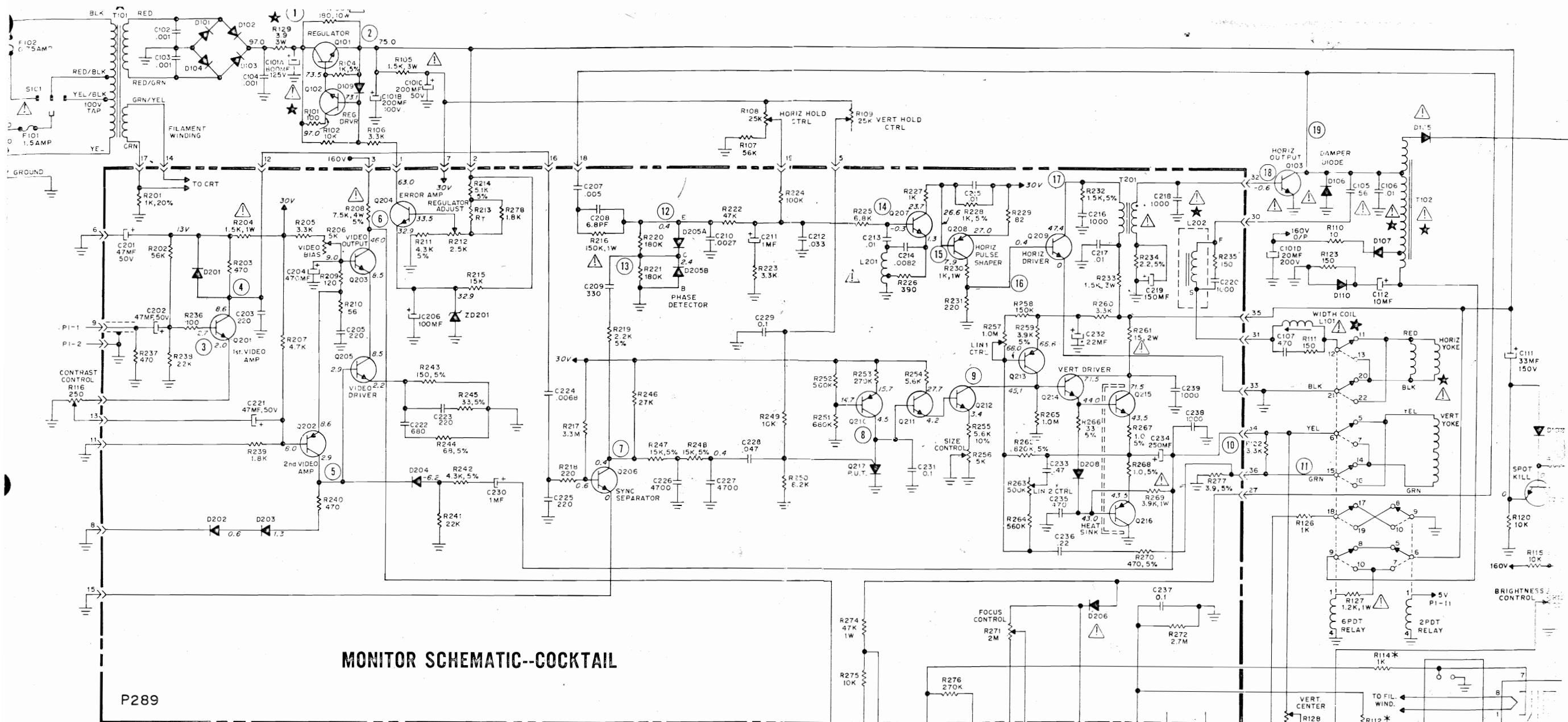
*ORDER BY PART NUMBER ONLY*

ITEM	PART NO	DESCRIPTION
	A749-00003-0000	CASH BOX ASSY.
	A627-00052-0000	CASH BOX COVER ASSY.
	0625-00117-0000	CASH BOX GUIDE
	A625-00024-0000	CASH BOX GUIDE BRKT. ASSY.
	0017-00101-0628	#8-32 x 3/4 CARRIAGE BOLTS (4 REQ'D.)
	0017-00103-0008	#8-32 HEX NUT (4 REQ'D.)
	A082-90400-H000	POWER SUPPLY ASSY.
	A749-00004-0000	TRANSFORMER BOARD ASSY.
	A084-90000-K739	MOTHER BOARD P.C. ASSY.
	A084-90700-D739	GAME BOARD P.C. ASSY.
	0624-00902-0100	P.C. SUPPORT BRKT. - 12" (4 REQ'D.)
	0624-00902-0500	P.C. SUPPORT BRKT. - 6-1/2"
	0624-00902-0400	P.C. SUPPORT BRKT. - 4" (4 REQ'D.)
	0017-00101-0028	#8 x 3/4 HEX HD. S.M.S. (22 REQ'D.)
	0017-00104-0037	3/4 x 3/16 x 1/16 STL. WASHER (22 REQ'D.)
	0017-00009-0419	PIN EXTRACTOR TOOL (PIN POPPER) (MOLAX JACKS ONLY)



COMPONENT LAYOUT PART NO. M051-00775 - A004  
 COCKTAIL TABLE MODEL

SPACE INVADERS  
 A084-90700-D739



**MONITOR SCHEMATIC--COCKTAIL**

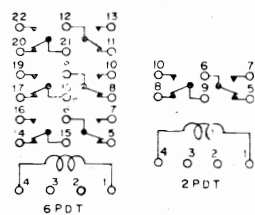
P289

**NOTES:**

1. VOLTAGE MAY VARY WITH CONTROL SETTING.
2. LINE VOLTAGE MAINTAINED AT 120VAC, 50/60HZ.
3. ALL D.C. VOLTAGES 10% MEASURED FROM POINT INDICATED TO CHASSIS USING HIGH IMPEDANCE METER WITH NO SIGNAL INPUT. CONTRAST AND BRIGHTNESS CONTROLS AT MAXIMUM; ALL OTHER CONTROLS IN NORMAL OPERATING POSITION.
4. WITH INTERNAL NUMBER INDICATES LOCATION OF WAVE FORM HEADING.
5. \* - INDICATES RESISTORS LOCATED IN PICTURE TUBE LEAD ASSEMBLY.

6. RESISTANCE VALUES IN OHMS, 1/2 WATT, 10% UNLESS OTHERWISE NOTED. K=1,000 M=1,000,000
7. CAPACITANCE VALUES OF 1 OR LESS ARE IN MICROFARADS; ABOVE 1 IN PICOFARADS UNLESS OTHERWISE NOTED.
8. PRODUCT SAFETY NOTICE: PARTS IDENTIFIED BY SHADING ARE SAFETY CRITICAL COMPONENTS. REPLACE ONLY WITH SAME TYPE PARTS SHOWN IN PARTS LIST.

**RELAY WIRING DIAGRAMS**



**PRODUCT SAFETY NOTICE:**

PARTS IDENTIFIED BY SHADING AND ARE SAFETY CRITICAL COMPONENTS. REPLACE ONLY WITH SAME TYPE PARTS SHOWN IN PARTS LISTS.

X-RAY RADIATION RELATED PARTS FOR REPLACEMENT PURPOSES, USE ONLY TYPE PARTS SHOWN IN PARTS LIST.

