

# Table of Contents

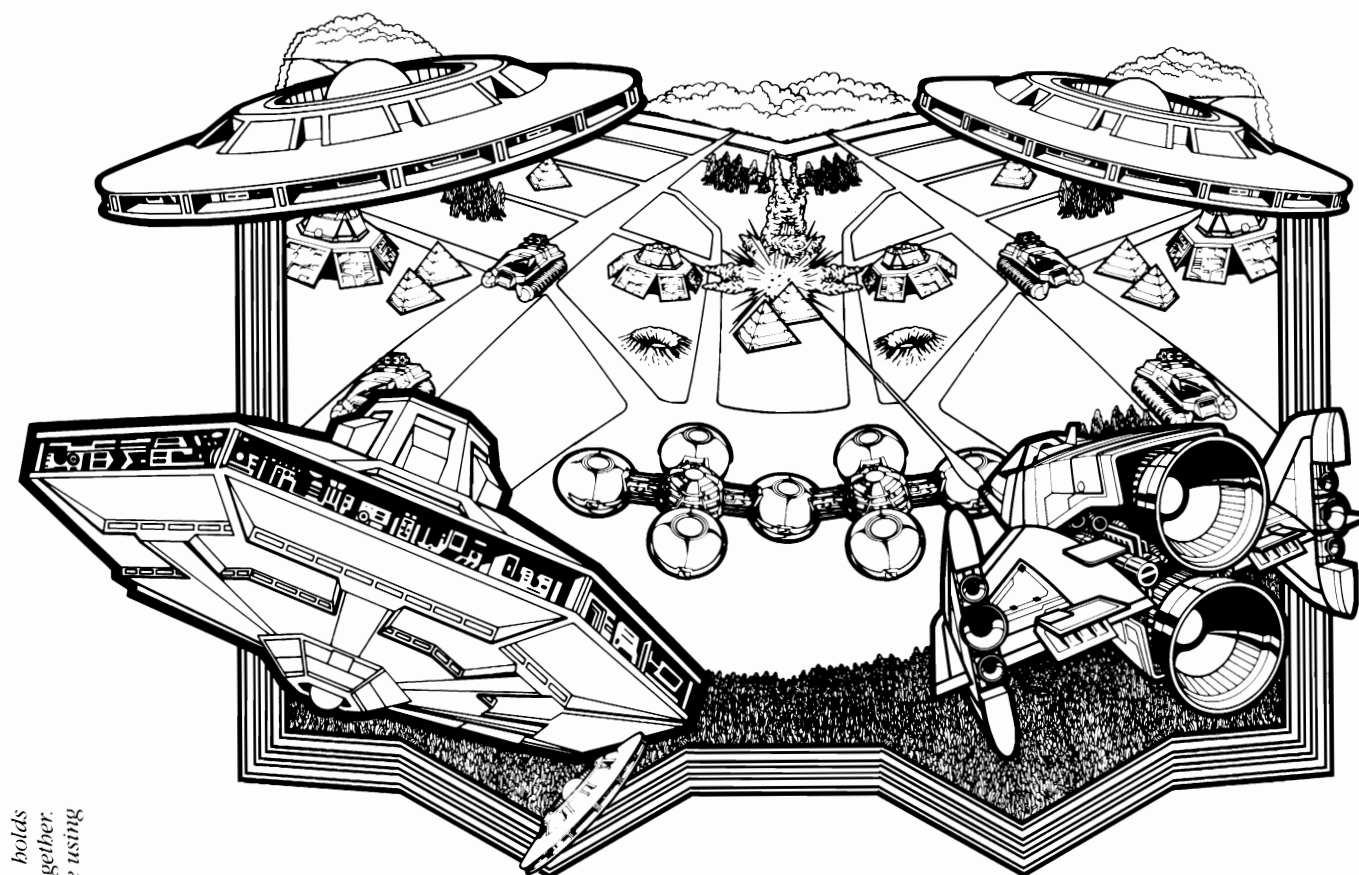
Sheet 1A	Table of Contents
Sheet 1B	Xevious Main Wiring Diagram (039981-01 A)
Sheet 2A	Regulator/Audio II PCB Schematic Diagram (035435-01 G), Color Raster Power Supply Wiring Diagram (037669-01 D)
Sheet 2B	Coin-Door Wiring Diagram (A037542-01 D), Utility Panel Wiring Diagram (A038004-01 E), Fluorescent Light Wiring Diagram (035833-01 A)
Sheet 3A	Memory Map

## *Game PCB Schematics, Sheets 3B-9A*

Sheet 3B-5B	Xevious CPU PCB Schematic Diagram
Sheet 6A-9A	Xevious Video PCB Schematic Diagram

## *Display Schematics, Sheets 9B-10A*

Sheet 9B	Electrohome Display Schematic Diagram (92-049)
Sheet 10A	Matsushita Display Schematic Diagram (139003-1004)



NOTE:  
This staple temporarily holds  
the schematic package together.  
Remove the staple before using  
these schematics.

## Schematic Package Supplement to



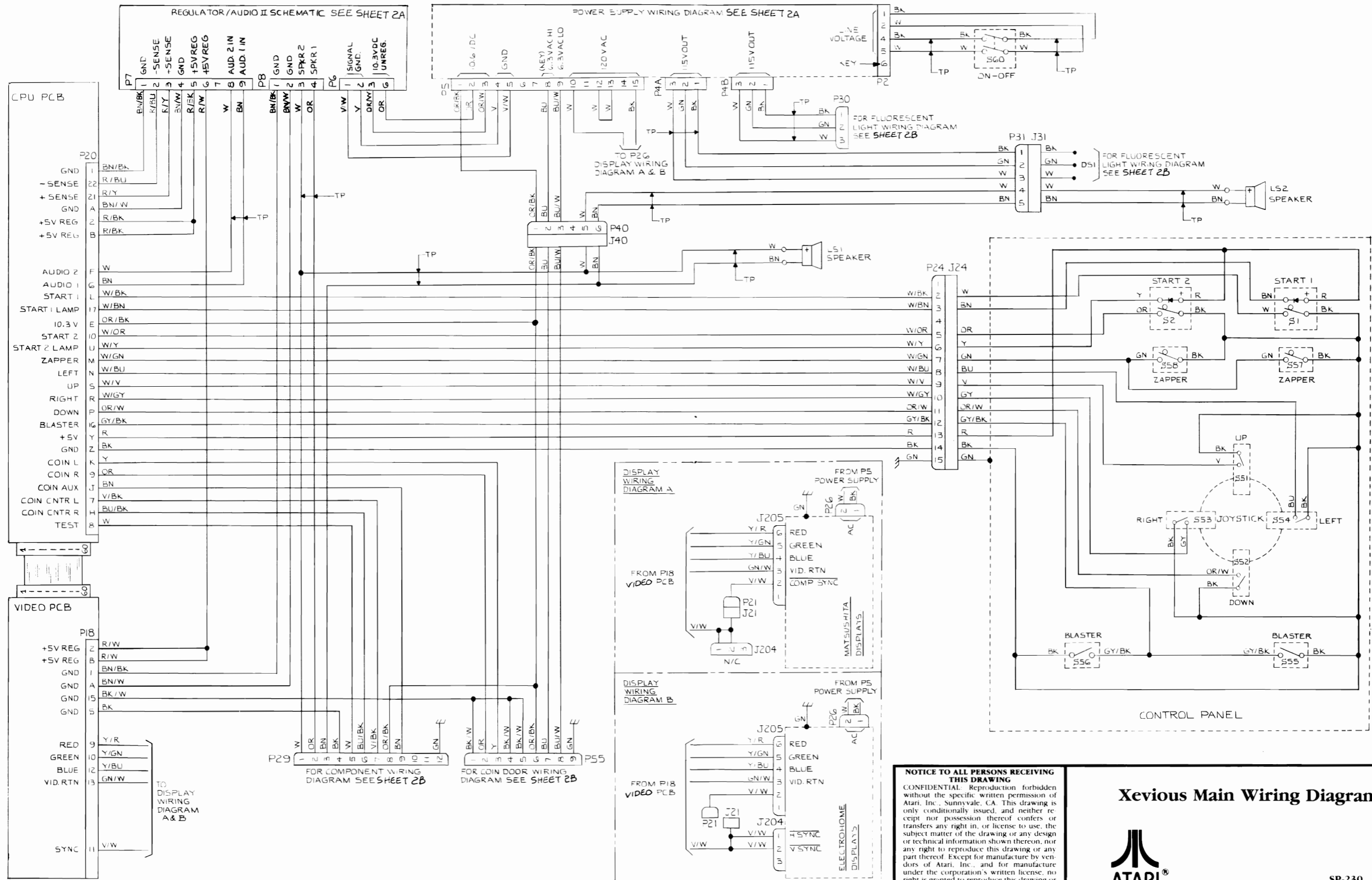
## Operators Manual

\*Trademark and © Namco 1982

1M


ATARI INC..1983

SP-230 Sheet 1A  
1st printing



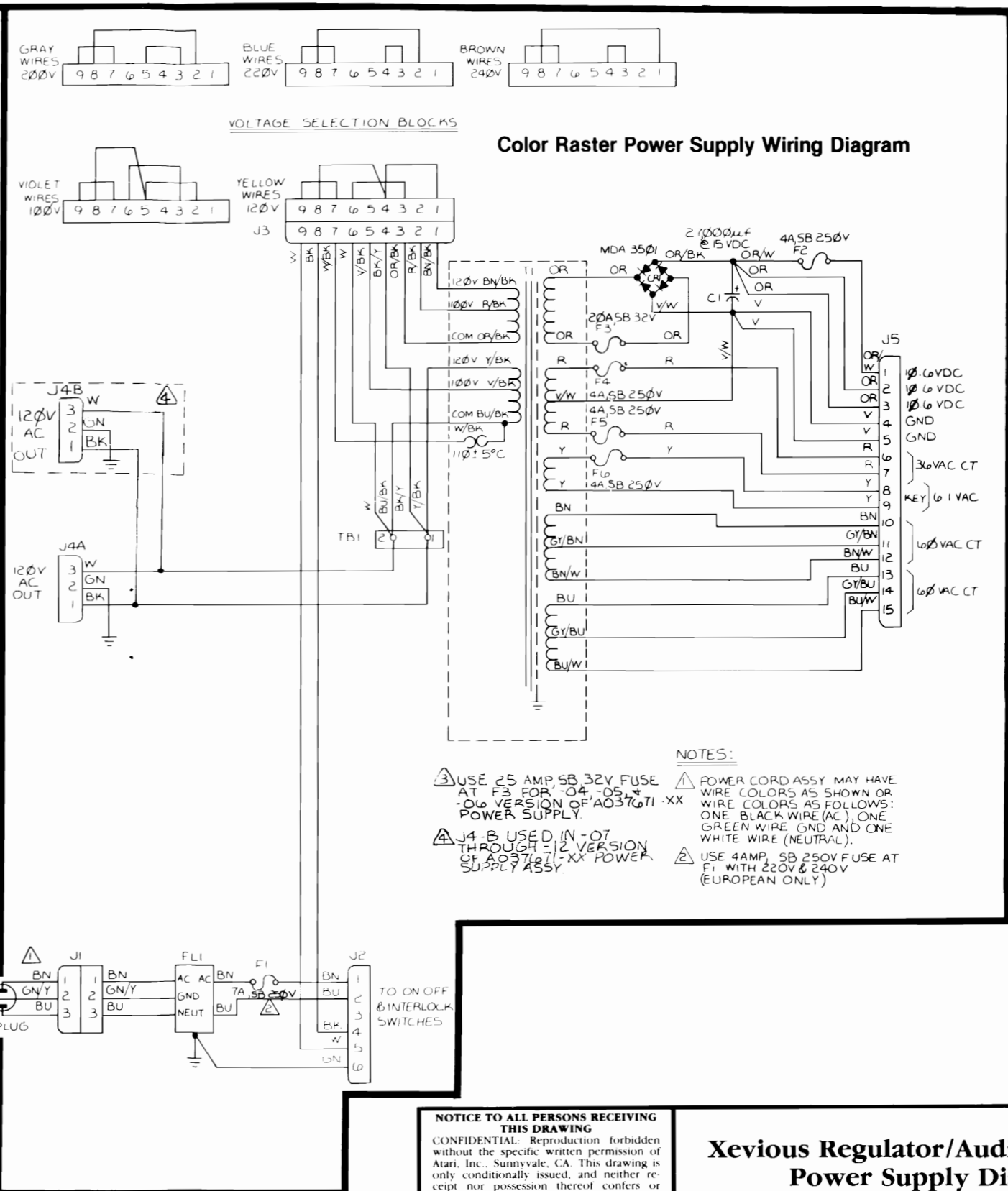
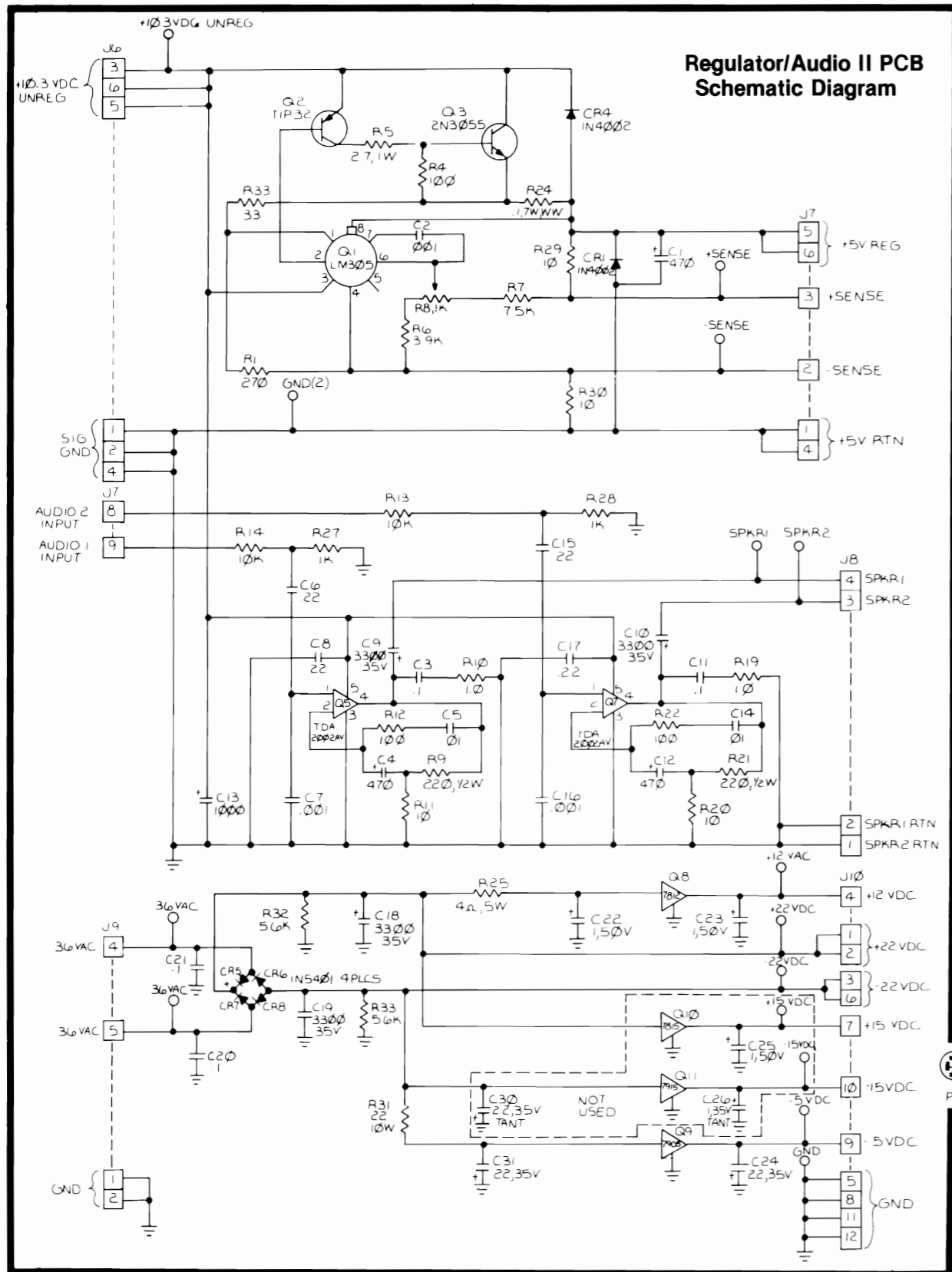
**NOTICE TO ALL PERSONS RECEIVING THIS DRAWING**  
 CONFIDENTIAL: Reproduction forbidden without the specific written permission of Atari, Inc., Sunnyvale, CA. This drawing is only conditionally issued, and neither receipt nor possession thereof confers or transfers any right in, or license to use, the subject matter of the drawing or any design or technical information shown thereon, nor any right to reproduce this drawing or any part thereof. Except for manufacture by vendors of Atari, Inc., and for manufacture under the corporation's written license, no right is granted to reproduce this drawing or the subject matter thereof, unless by written agreement with or written permission from the corporation.

**Xevious Main Wiring Diagram**



© ATARI INC. 1983

SP-230 Sheet 1B  
1st printing



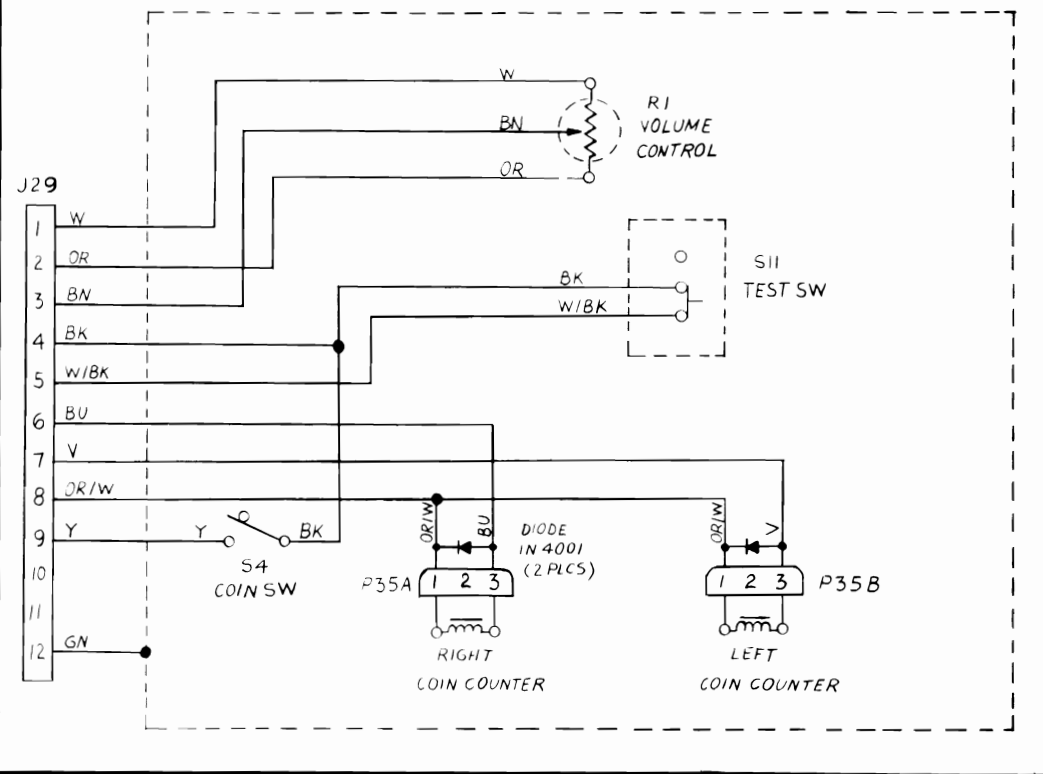
**NOTICE TO ALL PERSONS RECEIVING THIS DRAWING**  
 CONFIDENTIAL: Reproduction forbidden without the specific written permission of Atari, Inc., Sunnyvale, CA. This drawing is only conditionally issued, and neither receipt nor possession thereof confers or transfers any right in, or license to use, the subject matter of the drawing or any design or technical information shown thereon, nor any right to reproduce this drawing or any part thereof. Except for manufacture by vendors of Atari, Inc., and for manufacture under the corporation's written license, no right is granted to reproduce this drawing or the subject matter thereof, unless by written agreement with or written permission from the corporation.

## Xevious Regulator/Audio II PCB and Power Supply Diagrams

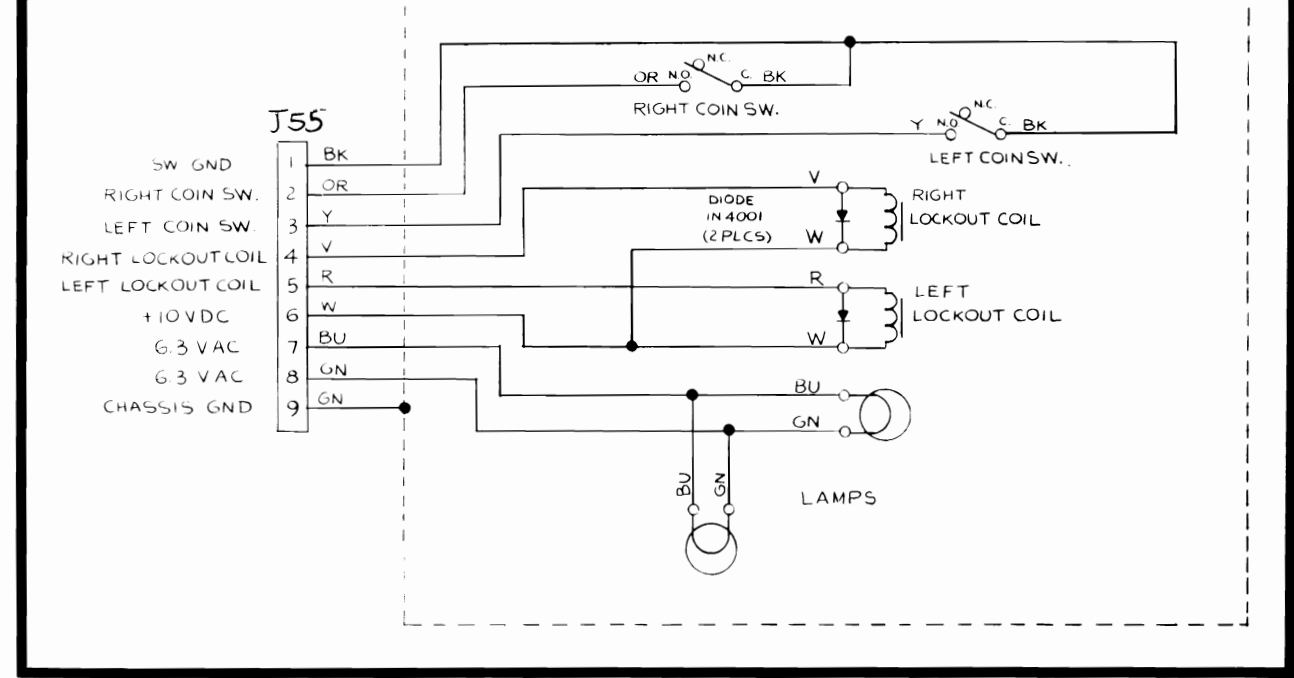
© ATARI INC. 1985

SP-230 Sheet 2A  
1st printing

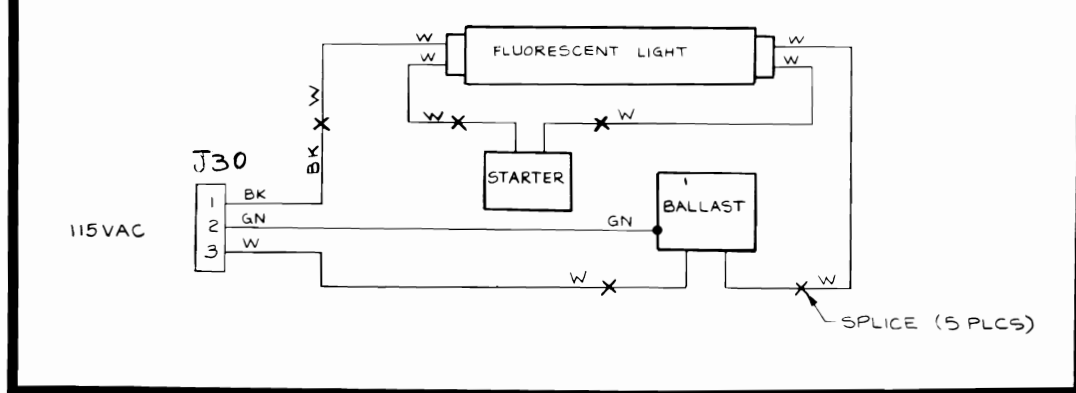
### Utility Panel Wiring Diagram



### Coin Door Wiring Diagram



### Fluorescent Light Wiring Diagram



**NOTICE TO ALL PERSONS RECEIVING THIS DRAWING**  
 CONFIDENTIAL. Reproduction forbidden without the specific written permission of Atari, Inc., Sunnyvale, CA. This drawing is only conditionally issued, and neither receipt nor possession thereof confers or transfers any right in, or license to use, the subject matter of the drawing or any design or technical information shown thereon, nor any right to reproduce this drawing or any part thereof. Except for manufacture by vendors of Atari, Inc., and for manufacture under the corporation's written license, no right is granted to reproduce this drawing or the subject matter thereof, unless by written agreement with or written permission from the corporation.

### Xevious Game Wiring Interfaces



© ATARI INC. 1983

SP-230 Sheet 2B  
 1st printing

A Warner Communications Company

## MEMORY MAP

HEXA-DECIMAL ADDRESS	ADDRESS BUS SIGNAL LINES														R/W	DATA BUS SIGNAL LINES								FUNCTION			
	A15	A14	A13	A12	A11	A10	A9	A8	A7	A6	A5	A4	A3	A2		A1	A0	D7	D6	D5	D4	D3	D2		D1	D0	
CPU PCB																											
0000-1FFF	0	0	0	A	A	A	A	A	A	A	A	A	A	A	A	A	R	D	D	D	D	D	D	D	D	MASTER PROGRAM	
0000-2FFF	0	0	1	A	A	A	A	A	A	A	A	A	A	A	A	A	R	D	D	D	D	D	D	D	D	MASTER PROGRAM	
0000-1FFF	0	0	0	A	A	A	A	A	A	A	A	A	A	A	A	A	R	D	D	D	D	D	D	D	D	MOTION PROGRAM	
0000-1FFF	0	0	0	A	A	A	A	A	A	A	A	A	A	A	A	A	R	D	D	D	D	D	D	D	D	SOUND PROGRAM	
6800	0	1	1	0	1					0	0	0			0	0	0	W									SOUND RAM 0
6810	0	1	1	0	1					0	0	1			0	0	0	W									SOUND RAM 1
6820	0	1	1	0	1					0	1	0			0	0	0	W									CLEAR
6821	0	1	1	0	1					0	1	0			0	0	1	W									CLEAR
6822	0	1	1	0	1					0	1	0			0	1	0	W									NMION
6823	0	1	1	0	1					0	1	0			0	1	1	W									RESET
6824-6827	0	1	1	0	1					0	1	0		A	A	A	W									NOT USED	
6830	0	1	1	0	1						1	1						W									WDR
6840	0	1	1	0	1						A	A		A	A	A	R							D	D	DIP SW	
7000	0	1	1	1	0													R/W	D	D	D	D	D	D	D	D	I/O DECODE
7100	0	1	1	1	0													R/W									I/O CONTROL
7800	0	1	1	1	1	A	A	A	A	A	A	A	A	A	A	A	R/W	D	D	D	D	D	D	D	D	RAM	
VIDEO PCB																											
8000-8FFF	1	0	0	0	A	A	A	A	A	A	A	A	A	A	A	A	R/W	D	D	D	D	D	D	D	D	RAM 2S	
9000-9FFF	1	0	0	1	A	A	A	A	A	A	A	A	A	A	A	A	R/W	D	D	D	D	D	D	D	D	RAM 2R	
A000-AFFF	1	0	1	0	A	A	A	A	A	A	A	A	A	A	A	A	R/W	D	D	D	D	D	D	D	D	RAM 2P	
B000-BFFF	1	0	1	1	A	A	A	A	A	A	A	A	A	A	A	A	R/W	D	D	D	D	D	D	D	D	RAM 1	
C000-CFFF	1	1	0	0	A	A	A	A	A	A	A	A	A	A	A	A	R/W	D	D	D	D	D	D	D	D	RAM 2	
D000	1	1	0	1													R									PAL	
F000	1	1	1	1												0	R/W									BB0 (Read) BS0 (Write)	
F001	1	1	1	1												1	R/W									BB1 (Read) BS1 (Write)	

**NOTICE TO ALL PERSONS RECEIVING THIS DRAWING**

CONFIDENTIAL: Reproduction forbidden without the specific written permission of Atari, Inc., Sunnyvale, CA. This drawing is only conditionally issued, and neither receipt nor possession thereof confers or transfers any right in, or license to use, the subject matter of the drawing or any design or technical information shown thereon, nor any right to reproduce this drawing or any part thereof. Except for manufacture by vendors of Atari, Inc., and for manufacture under the corporation's written license, no right is granted to reproduce this drawing or the subject matter thereof, unless by written agreement with or written permission from the corporation.

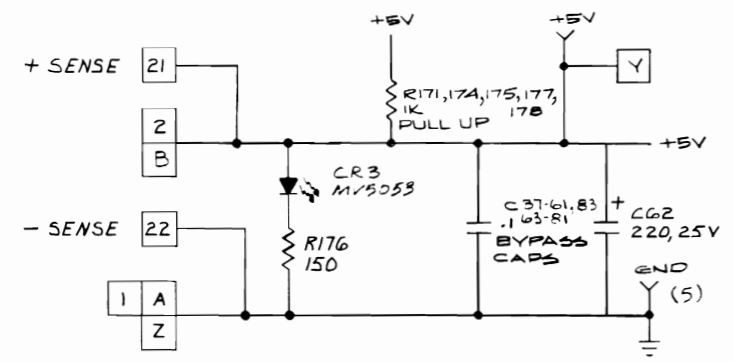
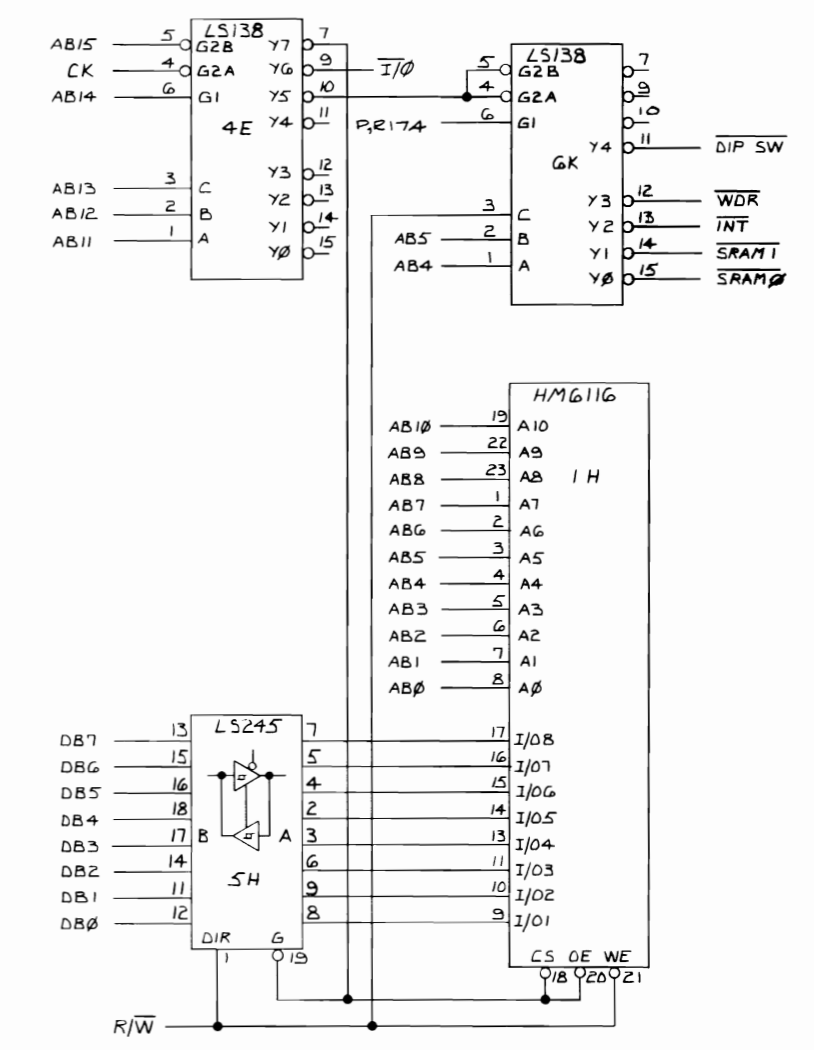
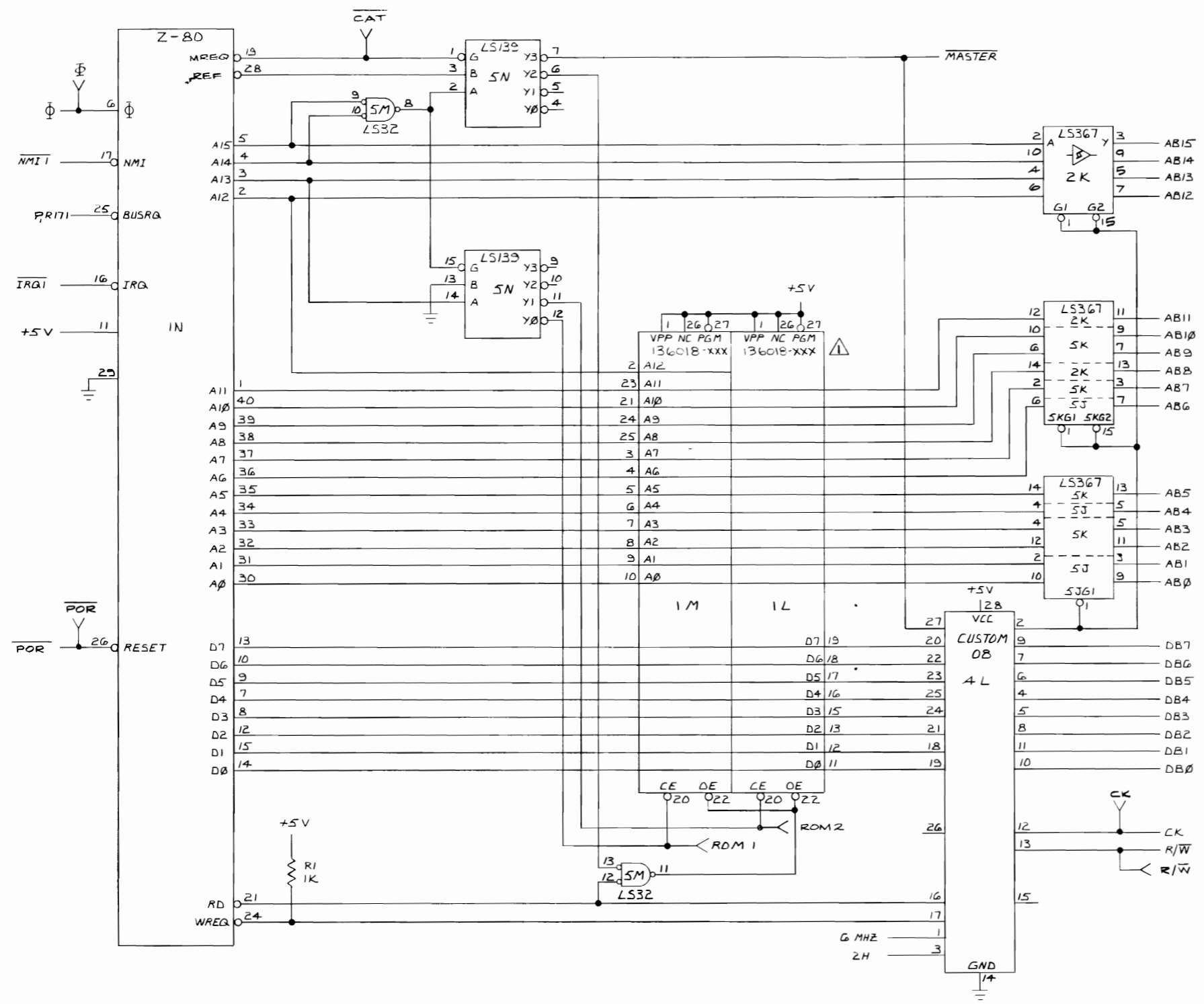
### Xevious Memory Map



Warner Communications Company

© ATARI INC. 1985

SP-230 Sheet 3A  
1st printing



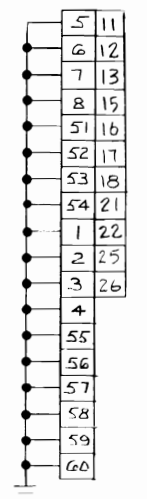
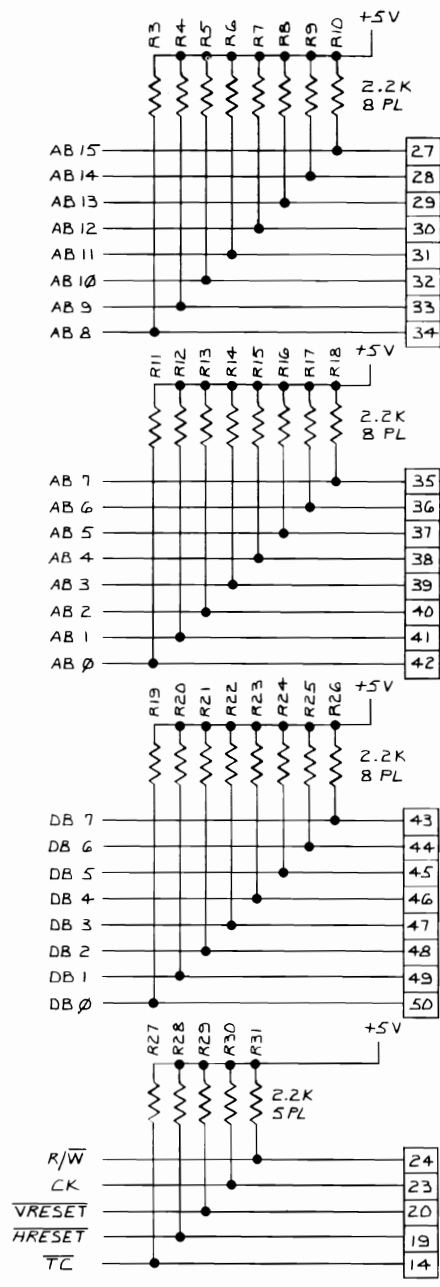
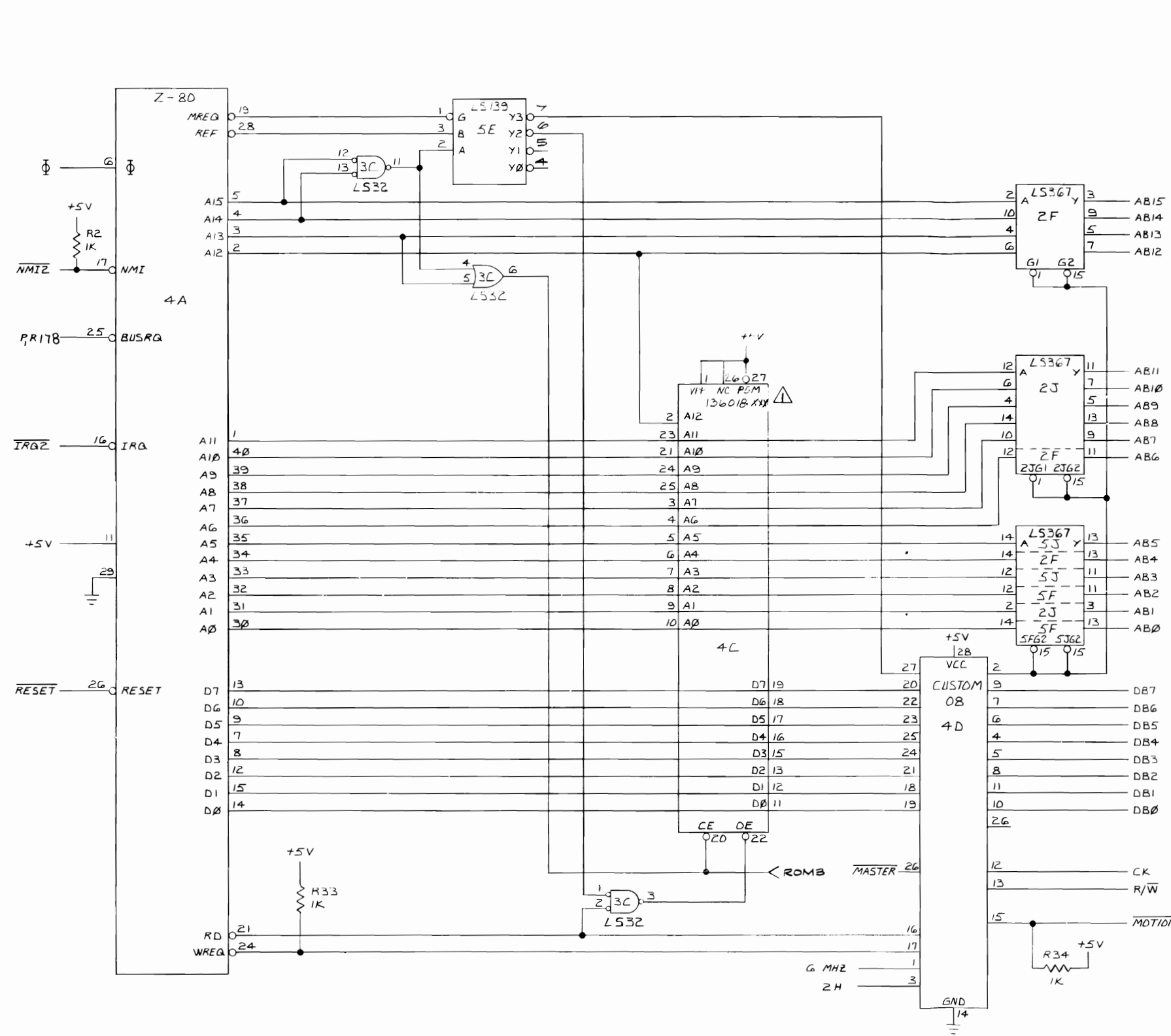
**NOTICE TO ALL PERSONS RECEIVING THIS DRAWING**  
 CONFIDENTIAL: Reproduction forbidden without the specific written permission of Atari, Inc., Sunnyvale, CA. This drawing is only conditionally issued, and neither receipt nor possession thereof confers or transfers any right in, or license to use, the subject matter of the drawing or any design or technical information shown thereon, nor any right to reproduce this drawing or any part thereof. Except for manufacture by vendors of Atari, Inc., and for manufacture under the corporation's written license, no right is granted to reproduce this drawing or the subject matter thereof, unless by written agreement with or written permission from the corporation.

**Xevius CPU PCB Schematic Diagram**

**ATARI**  
 A Warner Communications Company


© ATARI INC. 1983

SP-230 Sheet 3B  
 1st printing



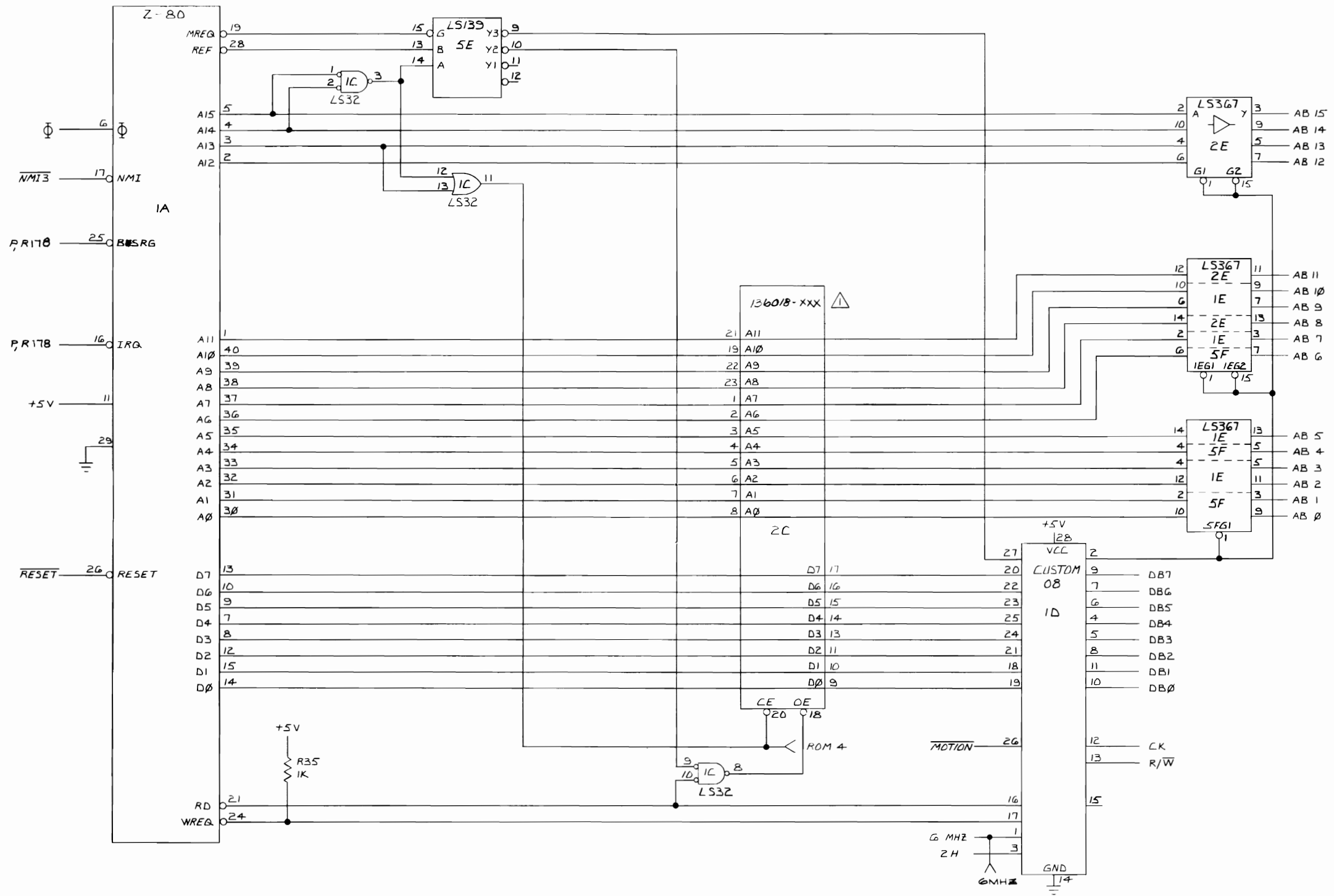
**NOTICE TO ALL PERSONS RECEIVING THIS DRAWING**  
 CONFIDENTIAL. Reproduction forbidden without the specific written permission of Atari, Inc., Sunnyvale, CA. This drawing is only conditionally issued, and neither receipt nor possession thereof confers or transfers any right in, or license to use, the subject matter of the drawing or any design or technical information shown thereon, nor any right to reproduce this drawing or any part thereof. Except for manufacture by vendors of Atari, Inc., and for manufacture under the corporation's written license, no right is granted to reproduce this drawing or the subject matter thereof, unless by written agreement with or written permission from the corporation.

**Xevious CPU PCB Schematic Diagram**

  
**ATARI**<sup>®</sup>

© ATARI INC. 1983  
 SP-230 Sheet 4A  
 1st printing

A Warner Communications Company



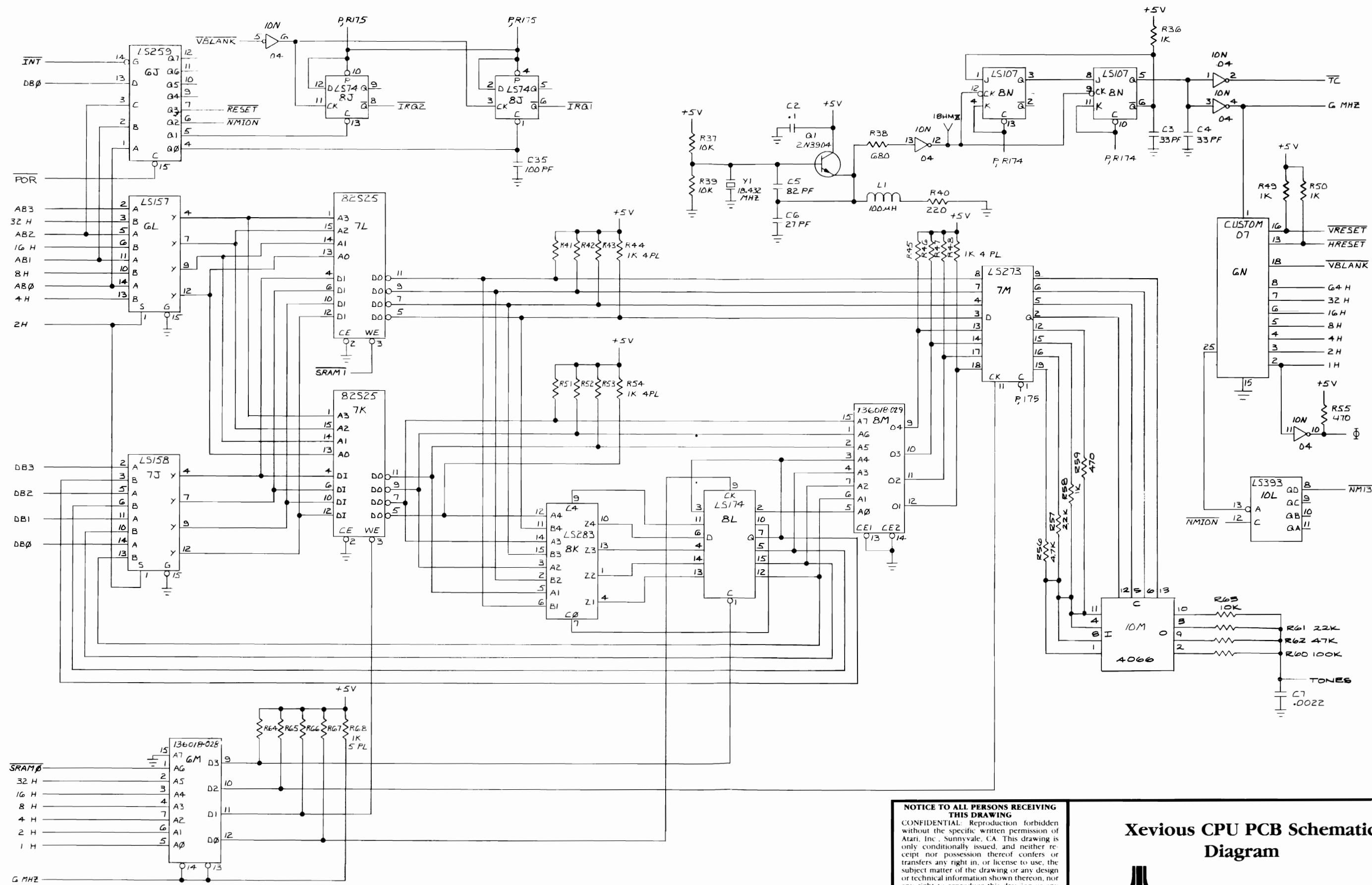
**NOTICE TO ALL PERSONS RECEIVING THIS DRAWING**  
 CONFIDENTIAL. Reproduction forbidden without the specific written permission of Atari, Inc., Sunnyvale, CA. This drawing is only conditionally issued, and neither receipt nor possession thereof confers or transfers any right in, or license to use, the subject matter of the drawing or any design or technical information shown thereon, nor any right to reproduce this drawing or any part thereof. Except for manufacture by vendors of Atari, Inc., and for manufacture under the corporation's written license, no right is granted to reproduce this drawing or the subject matter thereof, unless by written agreement with or written permission from the corporation.

**Xevious CPU PCB Schematic Diagram**

**ATARI**  
 A Warner Communications Company


© ATARI INC. 1983  
 SP-230 Sheet 4B  
 1st printing





**NOTICE TO ALL PERSONS RECEIVING THIS DRAWING**  
 CONFIDENTIAL: Reproduction forbidden without the specific written permission of Atari, Inc., Sunnyvale, CA. This drawing is only conditionally issued, and neither receipt nor possession thereof confers or transfers any right in, or license to use, the subject matter of the drawing or any design or technical information shown thereon, nor any right to reproduce this drawing or any part thereof. Except for manufacture by vendors of Atari, Inc., and for manufacture under the corporation's written license, no right is granted to reproduce this drawing or the subject matter thereof, unless by written agreement with or written permission from the corporation.

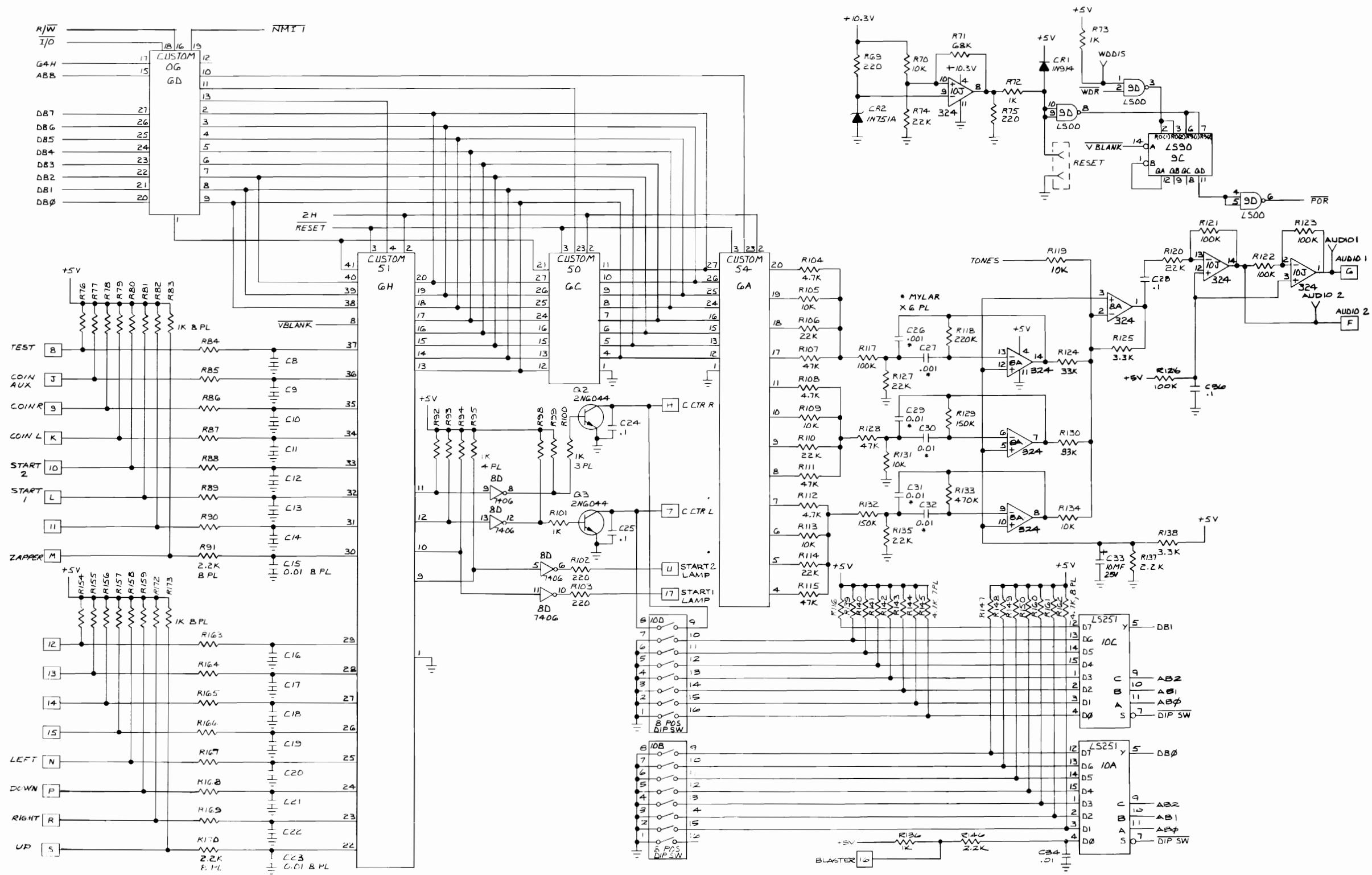
**Xevious CPU PCB Schematic Diagram**

  
**ATARI**<sup>®</sup>

SP-230 Sheet 5A  
 1st printing


© ATARI INC. 1983

A Warner Communications Company

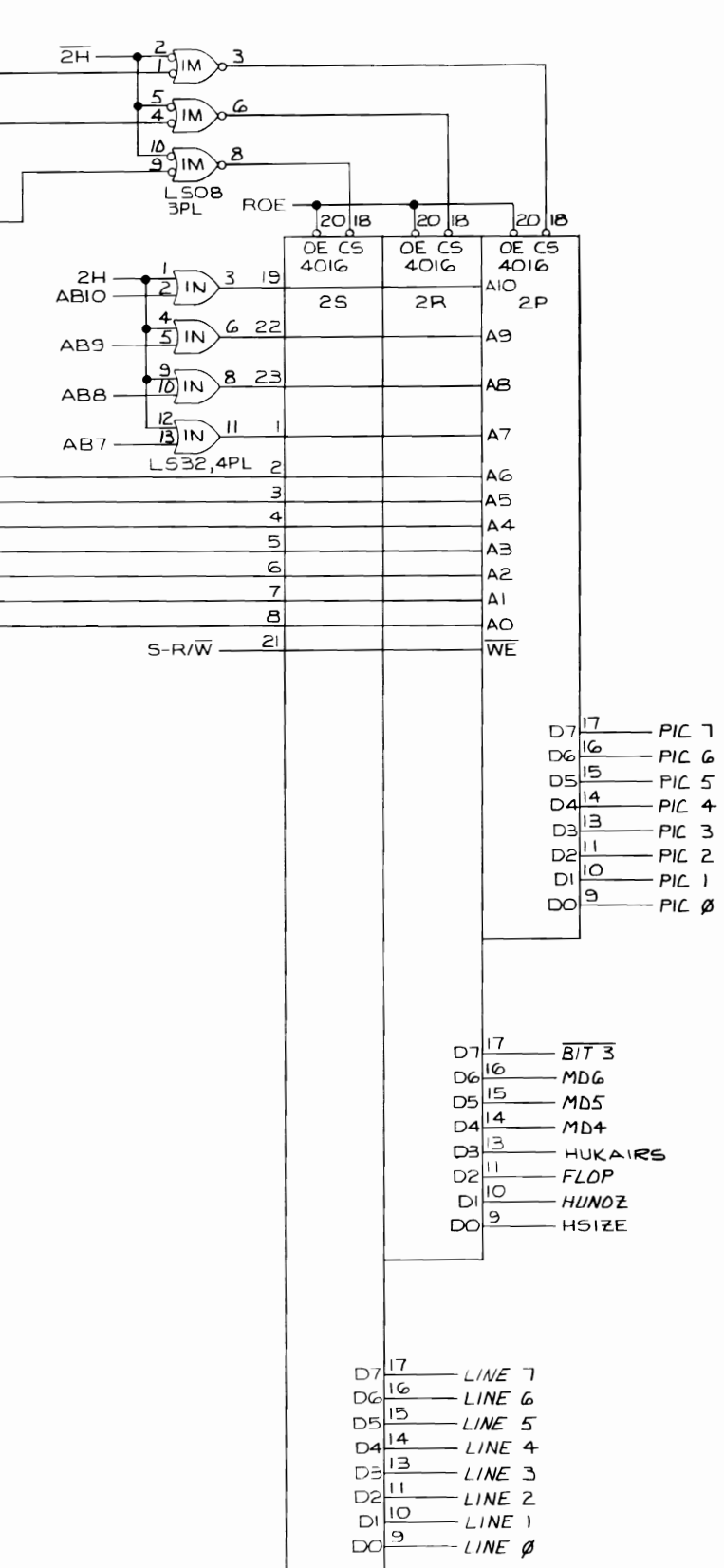
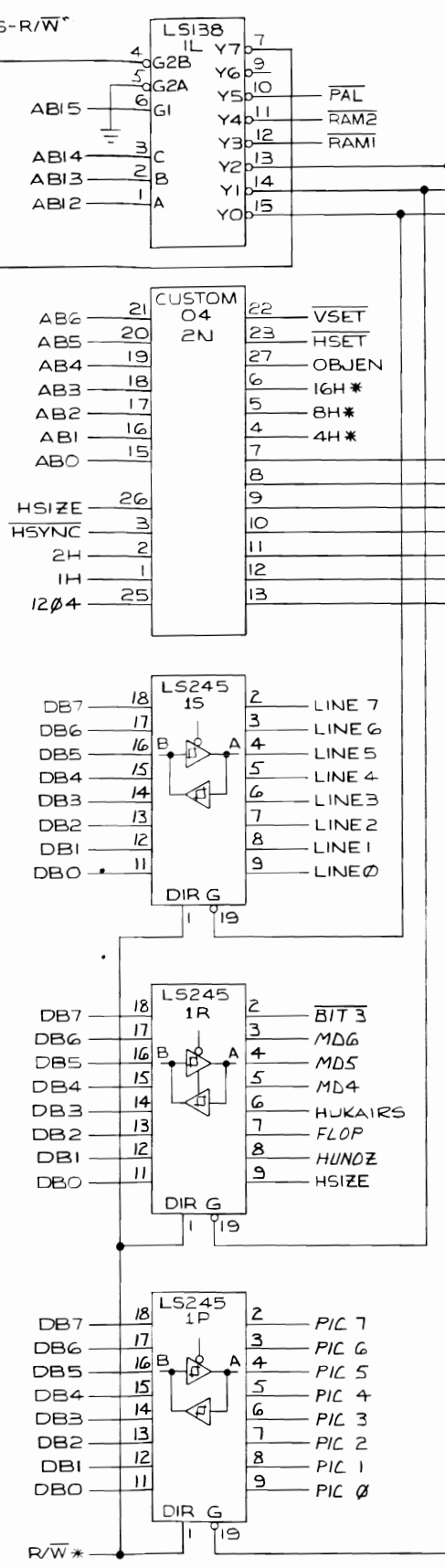
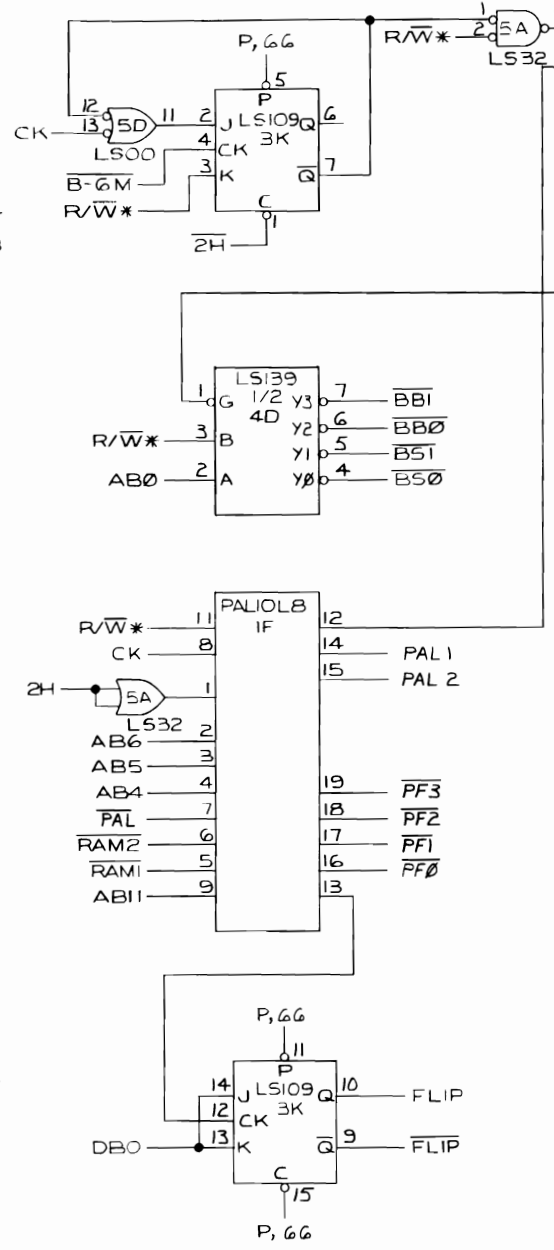
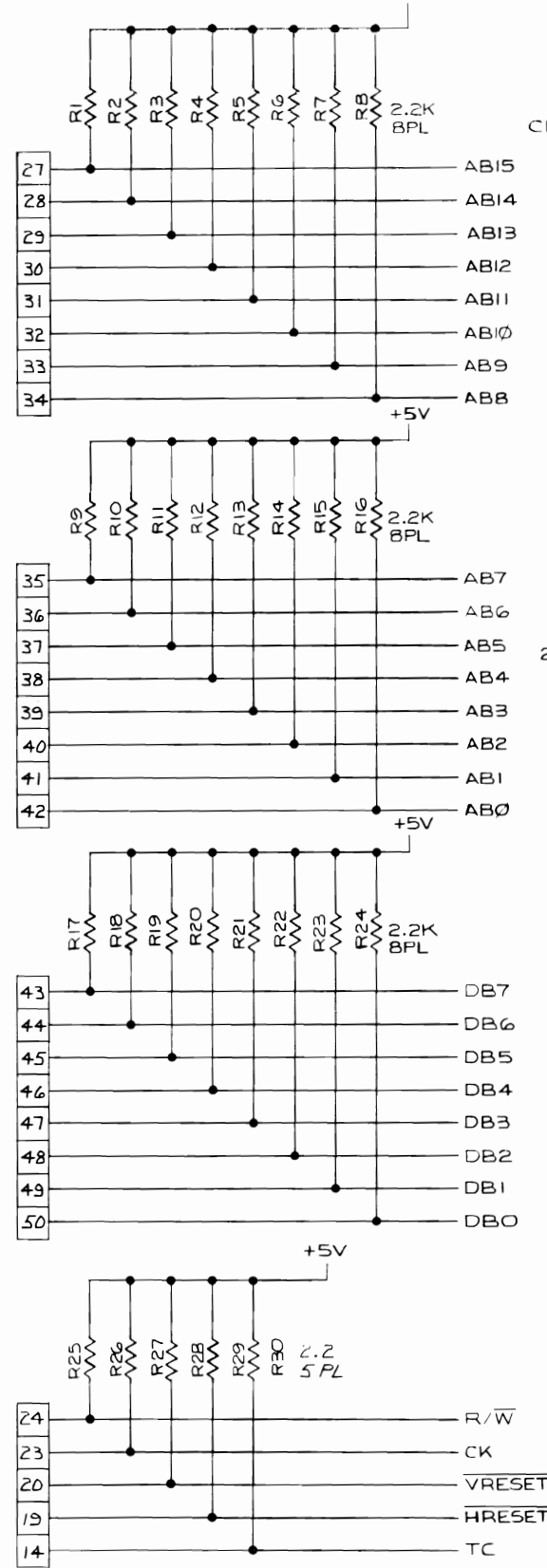


**NOTICE TO ALL PERSONS RECEIVING THIS DRAWING**  
 CONFIDENTIAL: Reproduction forbidden without the specific written permission of Atari, Inc., Sunnyvale, CA. This drawing is only conditionally issued, and neither receipt nor possession thereof confers or transfers any right in, or license to use, the subject matter of the drawing or any design or technical information shown thereon, nor any right to reproduce this drawing or any part thereof. Except for manufacture by vendors of Atari, Inc., and for manufacture under the corporation's written license, no right is granted to reproduce this drawing or the subject matter thereof, unless by written agreement with or written permission from the corporation.

**Xevious CPU PCB Schematic Diagram**


  
 A Warner Communications Company

© ATARI INC. 1983  
 SP-230 Sheet 5B  
 1st printing



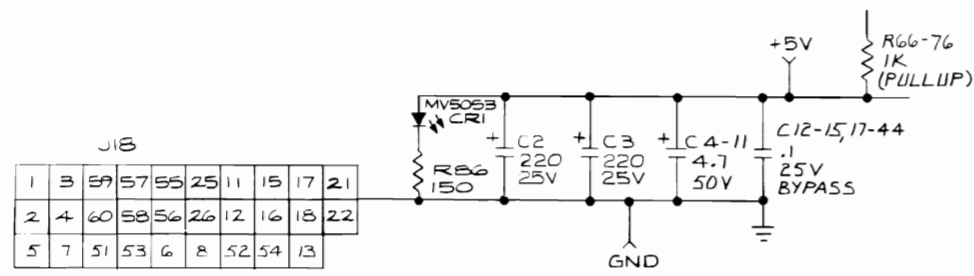
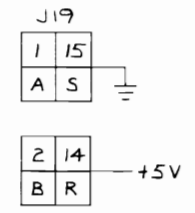
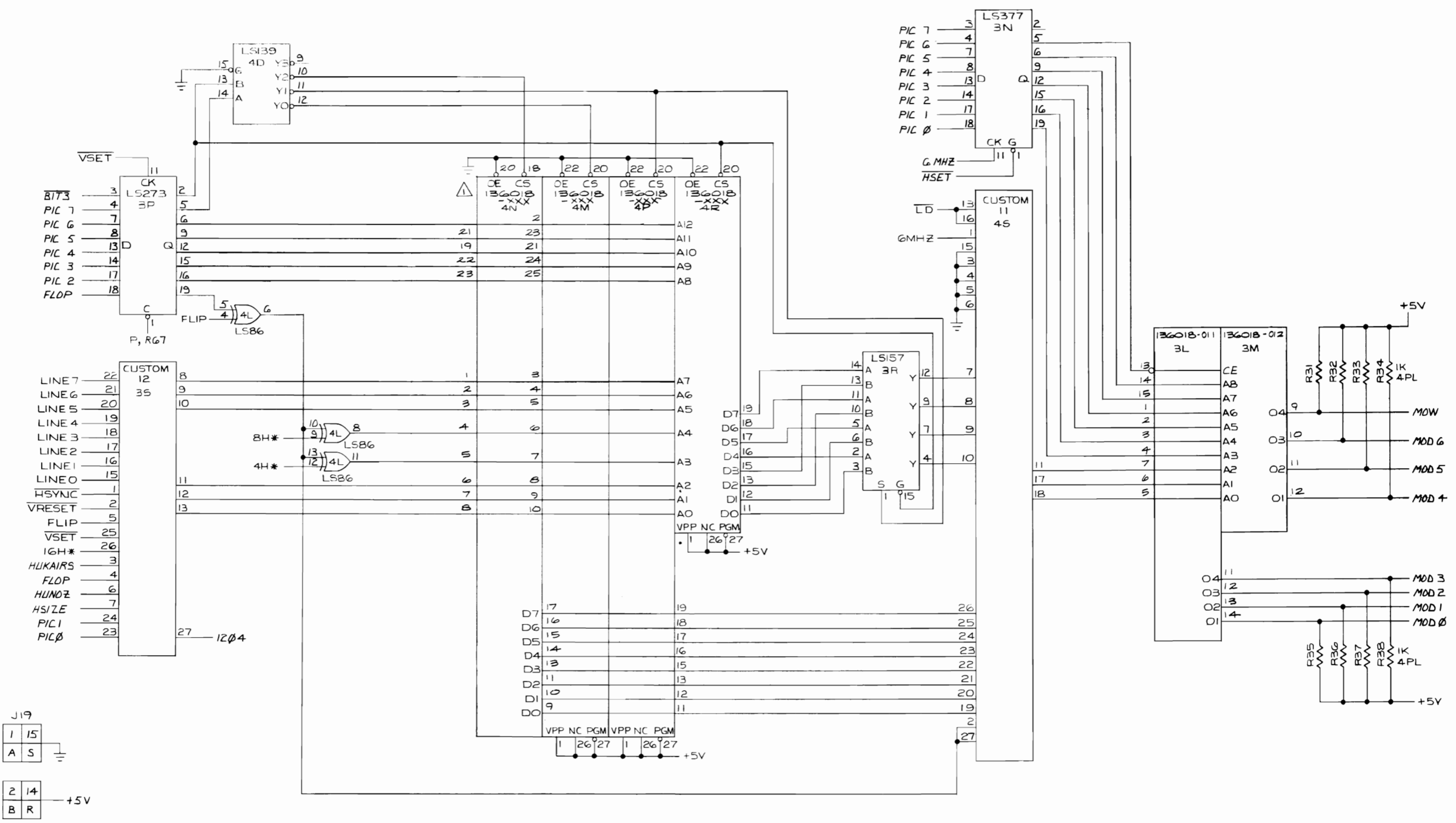
**NOTICE TO ALL PERSONS RECEIVING THIS DRAWING**  
 CONFIDENTIAL: Reproduction forbidden without the specific written permission of Atari, Inc., Sunnyvale, CA. This drawing is only conditionally issued, and neither receipt nor possession thereof confers or transfers any right in, or license to use, the subject matter of the drawing or any design or technical information shown thereon, nor any right to reproduce this drawing or any part thereof. Except for manufacture by vendors of Atari, Inc., and for manufacture under the corporation's written license, no right is granted to reproduce this drawing or the subject matter thereof, unless by written agreement with or written permission from the corporation.

**Xevious Video PCB Schematic Diagram**



© ATARI INC. 1983

SP-230 Sheet 6A  
1st printing



**NOTICE TO ALL PERSONS RECEIVING THIS DRAWING**

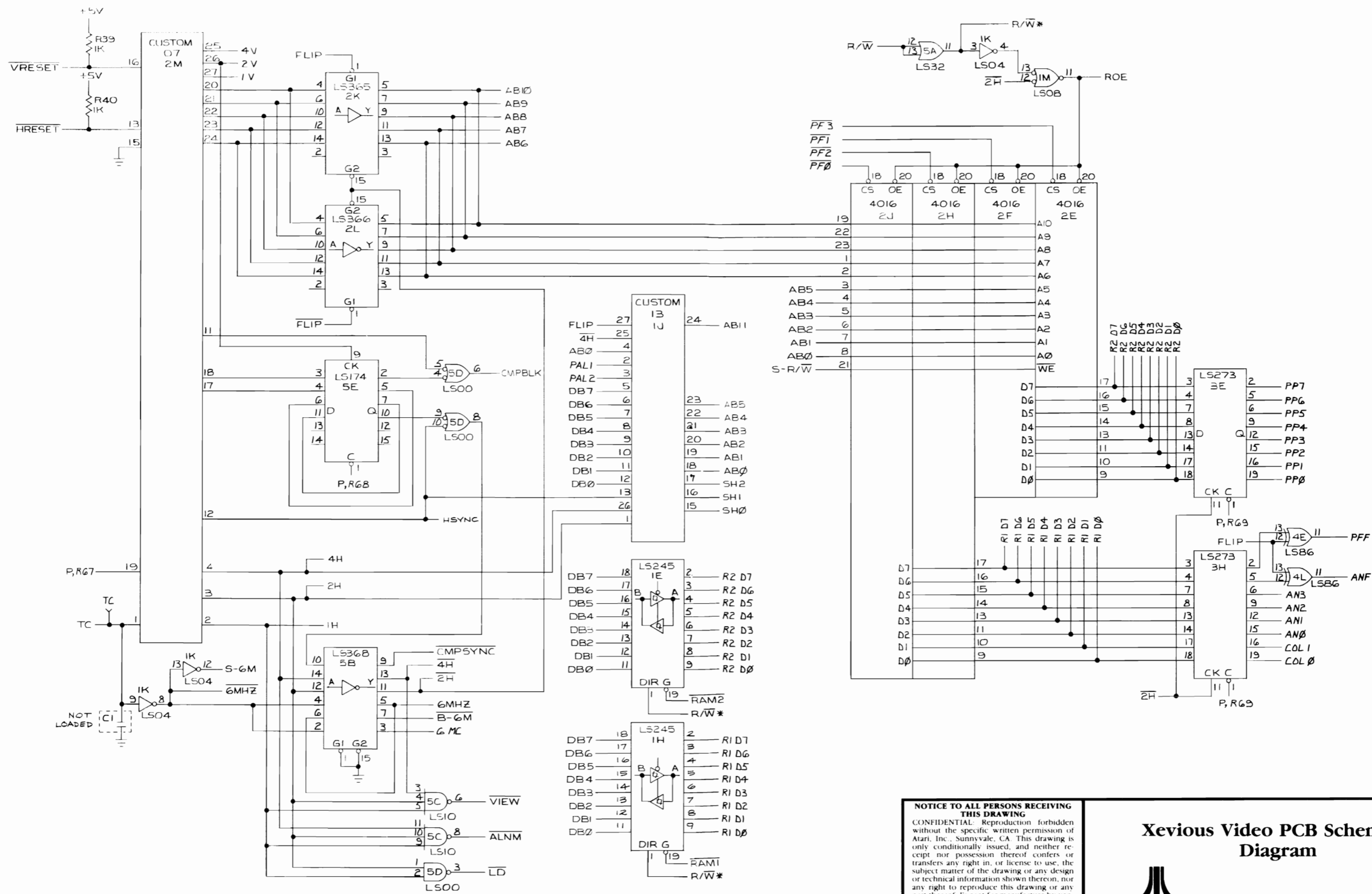
CONFIDENTIAL: Reproduction forbidden without the specific written permission of Atari, Inc., Sunnyvale, CA. This drawing is only conditionally issued, and neither receipt nor possession thereof confers or transfers any right in, or license to use, the subject matter of the drawing or any design or technical information shown thereon, nor any right to reproduce this drawing or any part thereof. Except for manufacture by vendors of Atari, Inc., and for manufacture under the corporation's written license, no right is granted to reproduce this drawing or the subject matter thereof, unless by written agreement with or written permission from the corporation.

**Xevious Video PCB Schematic Diagram**

© ATARI INC. 1983

SP-230 Sheet 6B  
1st printing

A Warner Communications Company

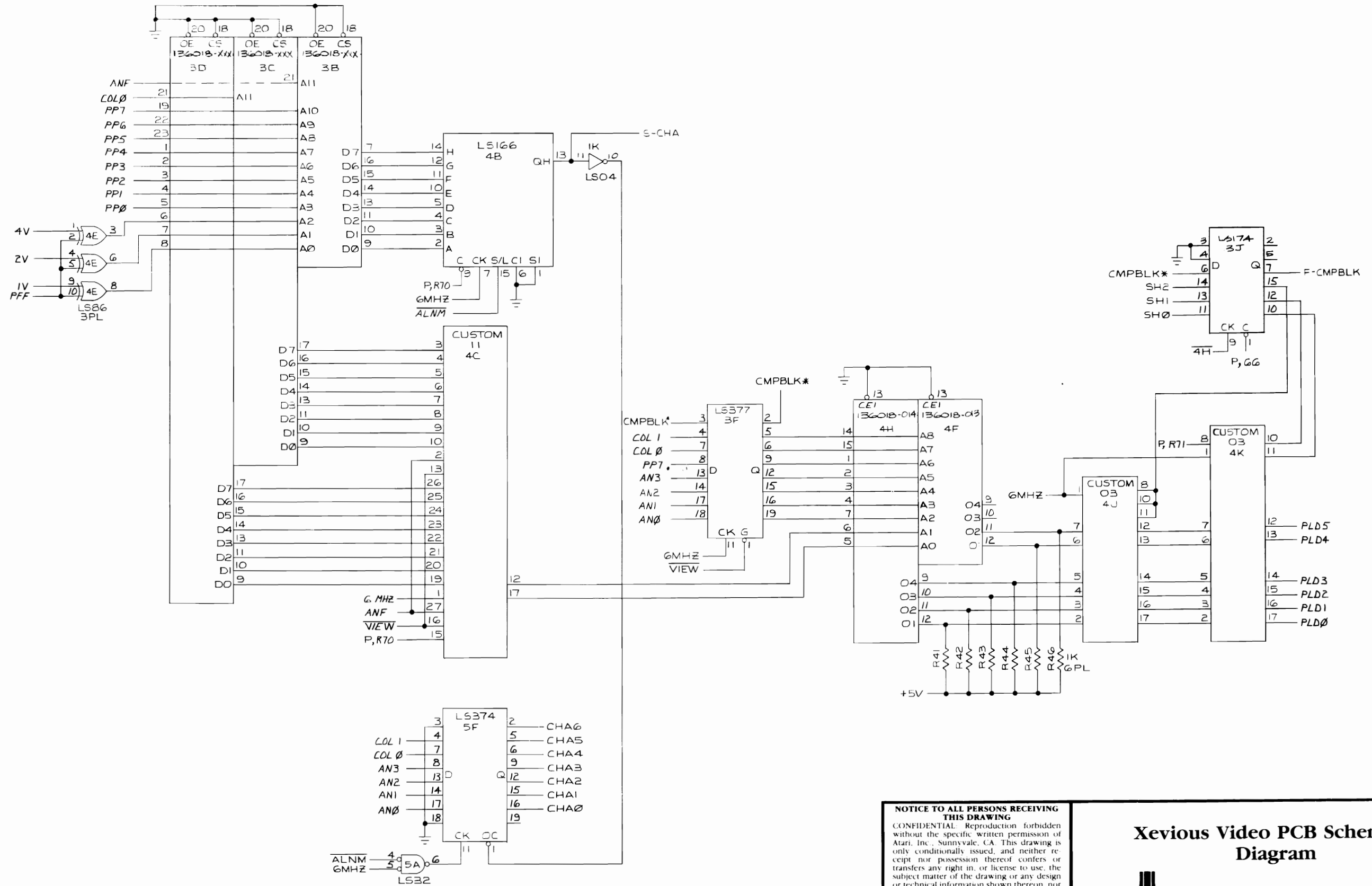


**NOTICE TO ALL PERSONS RECEIVING THIS DRAWING**  
 CONFIDENTIAL: Reproduction forbidden without the specific written permission of Atari, Inc., Sunnyvale, CA. This drawing is only conditionally issued, and neither receipt nor possession thereof confers or transfers any right in, or license to use, the subject matter of the drawing or any design or technical information shown thereon, nor any right to reproduce this drawing or any part thereof. Except for manufacture by vendors of Atari, Inc., and for manufacture under the corporation's written license, no right is granted to reproduce this drawing or the subject matter thereof, unless by written agreement with or written permission from the corporation.

**Xevious Video PCB Schematic Diagram**

**ATARI**  
 A Warner Communications Company

© ATARI INC. 1983  
 SP-230 Sheet 7A  
 1st printing

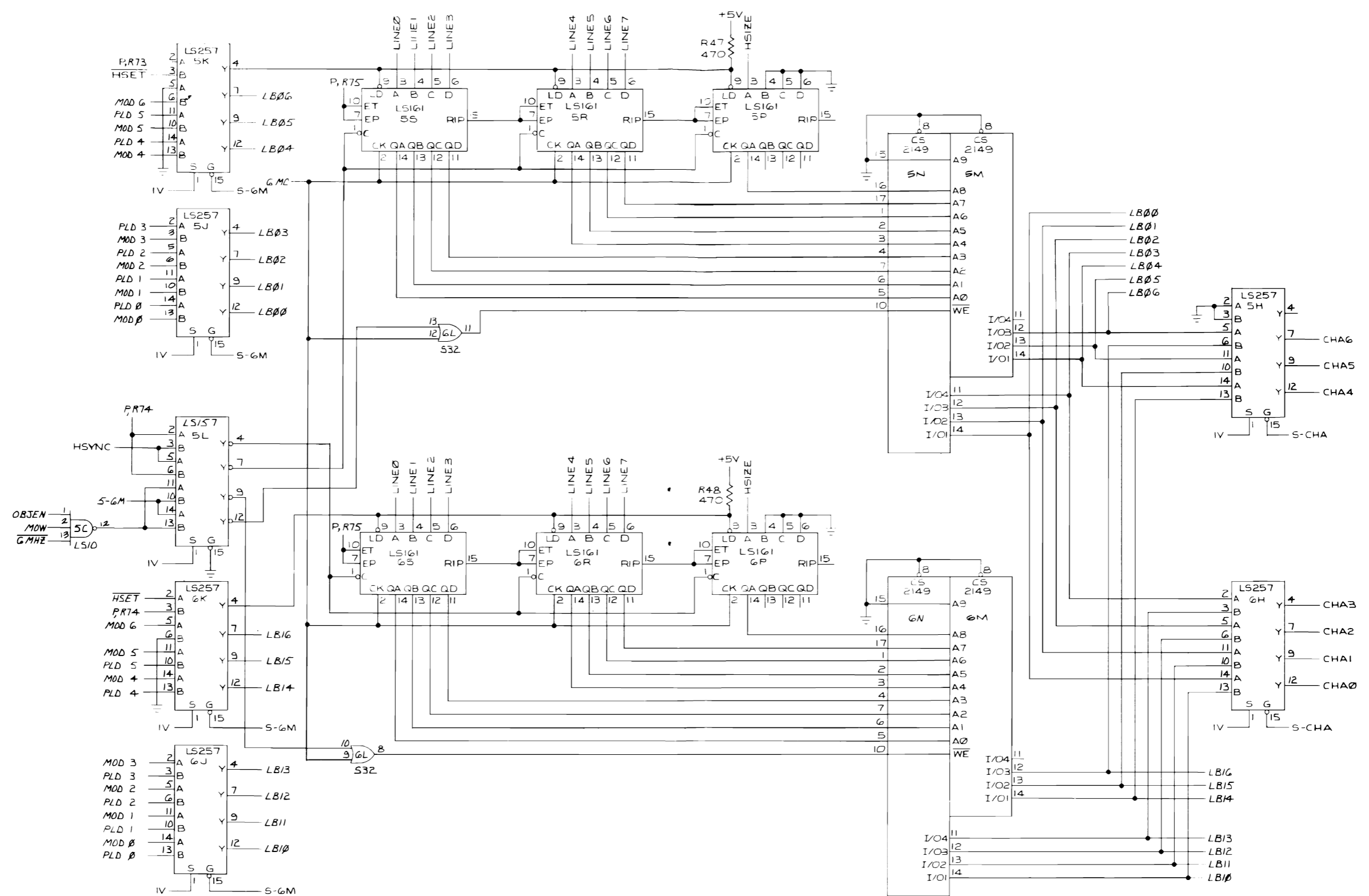


**NOTICE TO ALL PERSONS RECEIVING THIS DRAWING**  
 CONFIDENTIAL. Reproduction forbidden without the specific written permission of Atari, Inc., Sunnyvale, CA. This drawing is only conditionally issued, and neither receipt nor possession thereof confers or transfers any right in, or license to use, the subject matter of the drawing or any design or technical information shown thereon, nor any right to reproduce this drawing or any part thereof. Except for manufacture by vendors of Atari, Inc. and for manufacture under the corporation's written license, no right is granted to reproduce this drawing or the subject matter thereof, unless by written agreement with or written permission from the corporation.

### Xevius Video PCB Schematic Diagram

**SP-230 Sheet 7B**  
 1st printing

© ATARI INC. 1983  
 A Warner Communications Company



**NOTICE TO ALL PERSONS RECEIVING THIS DRAWING**  
 CONFIDENTIAL: Reproduction forbidden without the specific written permission of Atari, Inc., Sunnyvale, CA. This drawing is only conditionally issued, and neither receipt nor possession thereof confers or transfers any right in, or license to use, the subject matter of the drawing or any design or technical information shown thereon, nor any right to reproduce this drawing or any part thereof. Except for manufacture by vendors of Atari, Inc., and for manufacture under the corporation's written license, no right is granted to reproduce this drawing or the subject matter thereof, unless by written agreement with or written permission from the corporation.

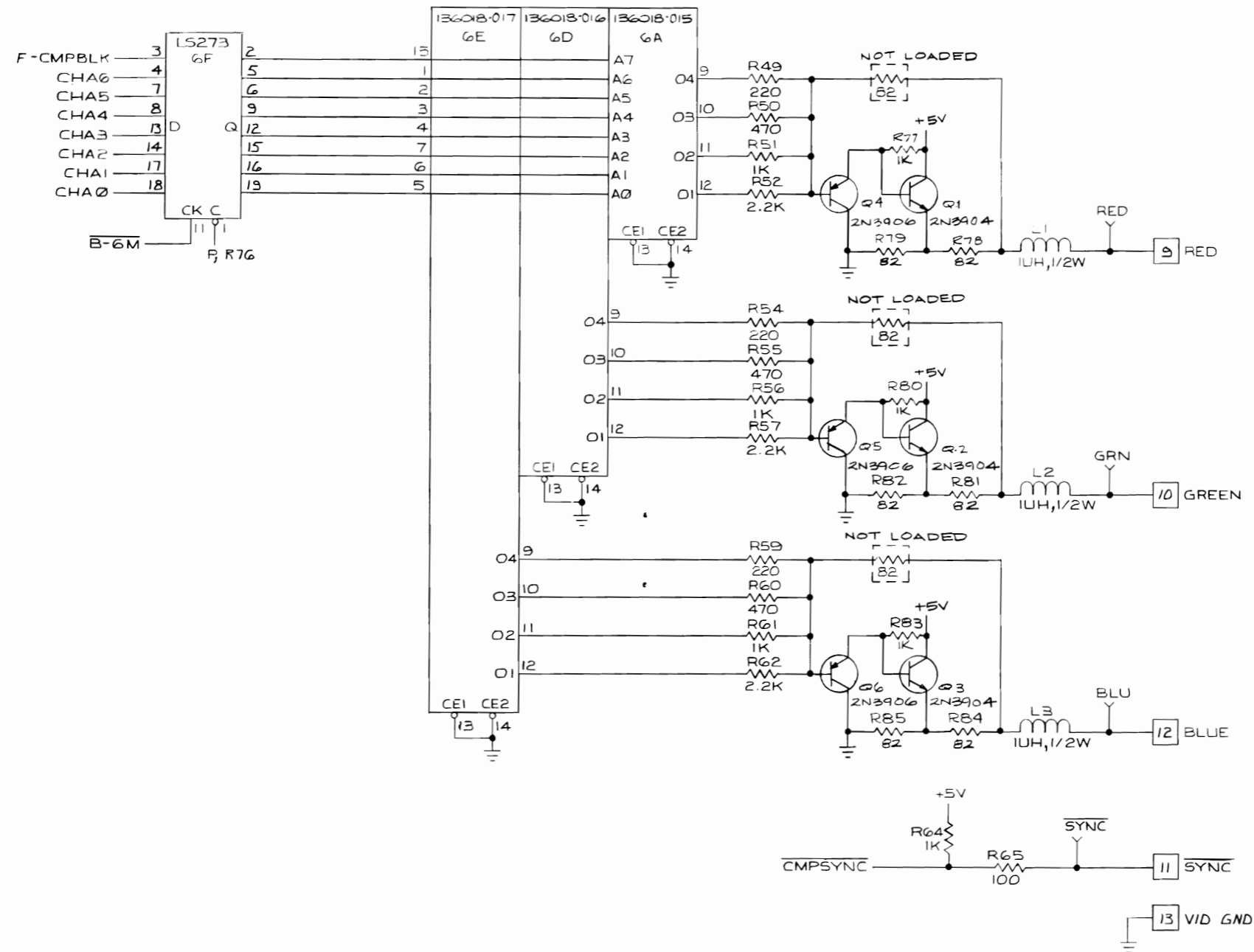
### Xevious Video PCB Schematic Diagram



© ATARI INC. 1983

SP-230 Sheet 8A  
 1st printing

A Warner Communications Company



**NOTICE TO ALL PERSONS RECEIVING THIS DRAWING**  
 CONFIDENTIAL: Reproduction forbidden without the specific written permission of Atari, Inc., Sunnyvale, CA. This drawing is only conditionally issued, and neither receipt nor possession thereof confers or transfers any right in, or license to use, the subject matter of the drawing or any design or technical information shown thereon, nor any right to reproduce this drawing or any part thereof. Except for manufacture by vendors of Atari, Inc., and for manufacture under the corporation's written license, no right is granted to reproduce this drawing or the subject matter thereof, unless by written agreement with or written permission from the corporation.

### Xevious Video PCB Schematic Diagram

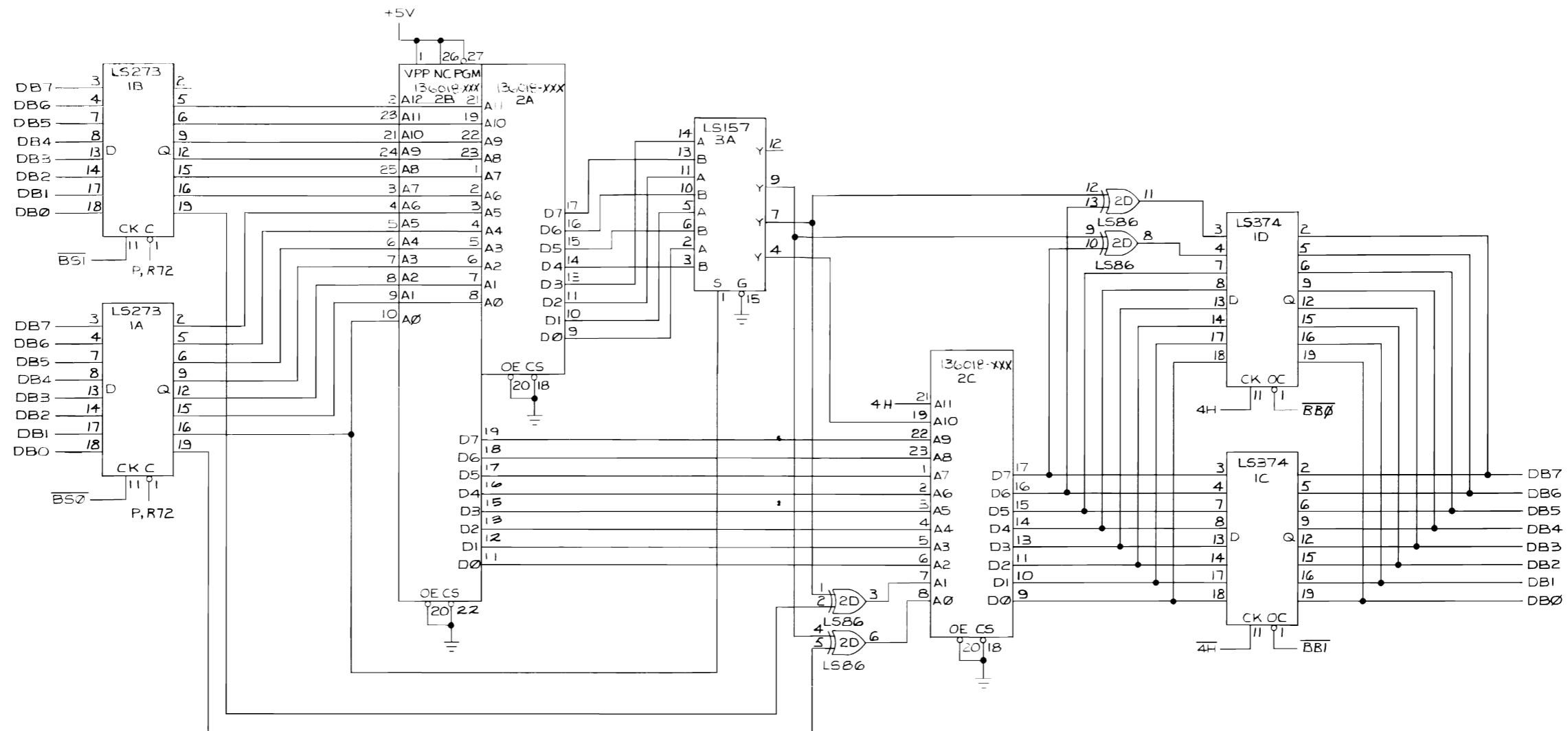


© ATARI INC. 1983

SP-230 Sheet 8B  
 1st printing

A Warner Communications Company





**NOTICE TO ALL PERSONS RECEIVING THIS DRAWING**

CONFIDENTIAL. Reproduction forbidden without the specific written permission of Atari, Inc., Sunnyvale, CA. This drawing is only conditionally issued, and neither receipt nor possession thereof confers or transfers any right in, or license to use, the subject matter of the drawing or any design or technical information shown thereon, nor any right to reproduce this drawing or any part thereof. Except for manufacture by vendors of Atari, Inc., and for manufacture under the corporation's written license, no right is granted to reproduce this drawing or the subject matter thereof, unless by written agreement with or written permission from the corporation.

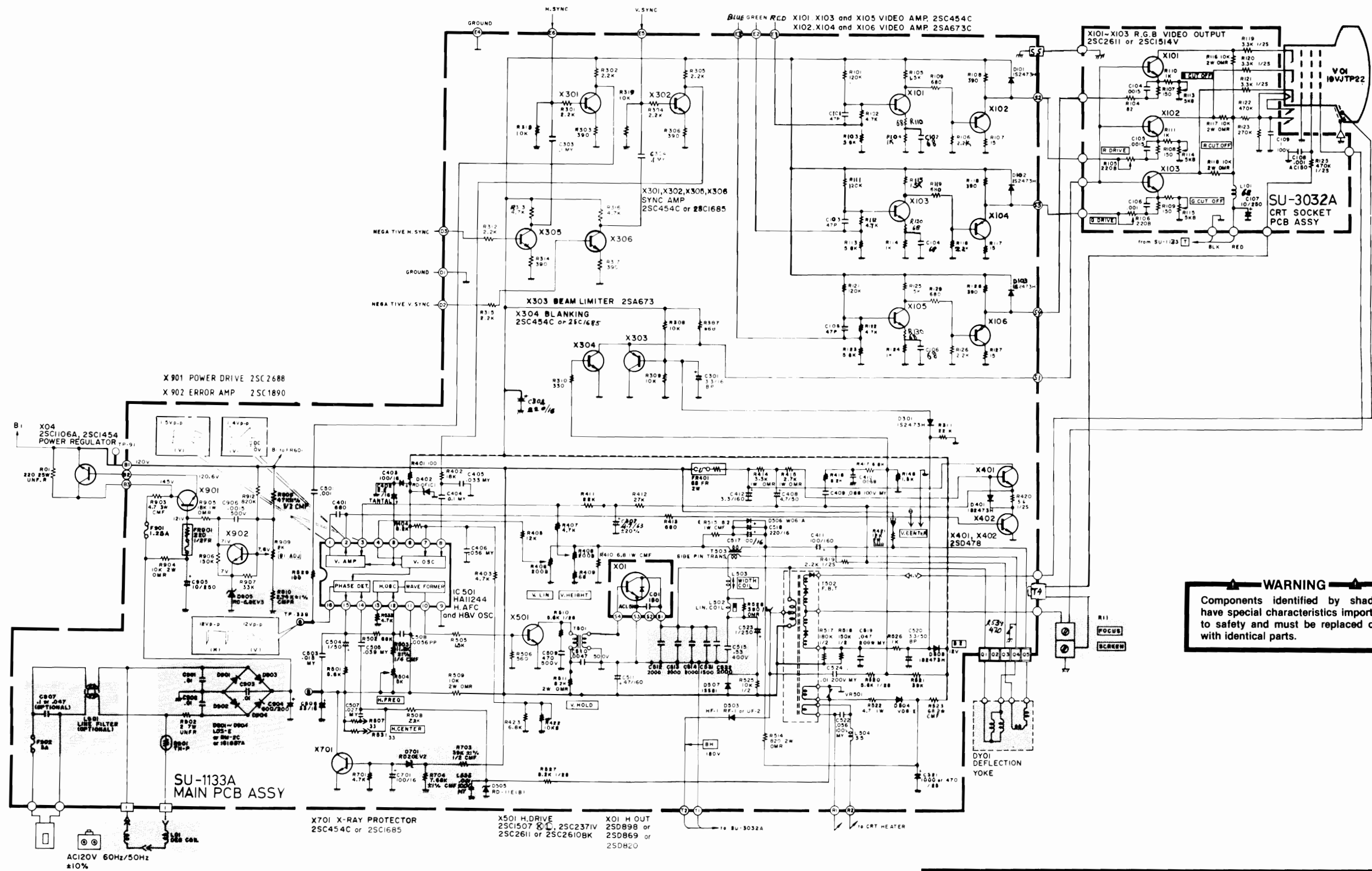
**Xevious Video PCB Schematic Diagram**



A Warner Communications Company

© ATARI INC. 1983


SP-230 Sheet 9A  
1st printing



**WARNING**  
 Components identified by shading have special characteristics important to safety and must be replaced only with identical parts.

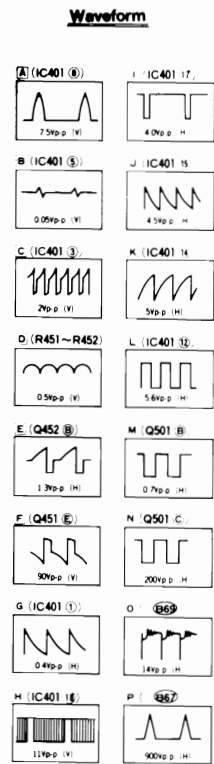
**NOTICE TO ALL PERSONS RECEIVING THIS DRAWING**  
 CONFIDENTIAL: Reproduction forbidden without the specific written permission of Atari, Inc., Sunnyvale, CA. This drawing is only conditionally issued, and neither receipt nor possession thereof confers or transfers any right in, or license to use, the subject matter of the drawing or any design or technical information shown thereon, nor any right to reproduce this drawing or any part thereof. Except for manufacture by vendors of Atari, Inc., and for manufacture under the corporation's written license, no right is granted to reproduce this drawing or the subject matter thereof, unless by written agreement with or written permission from the corporation.

**Electrohome Color Raster Display Schematic Diagram**

  
**ATARI**

© ATARI INC. 1983

SP-230 Sheet 9B  
1st printing



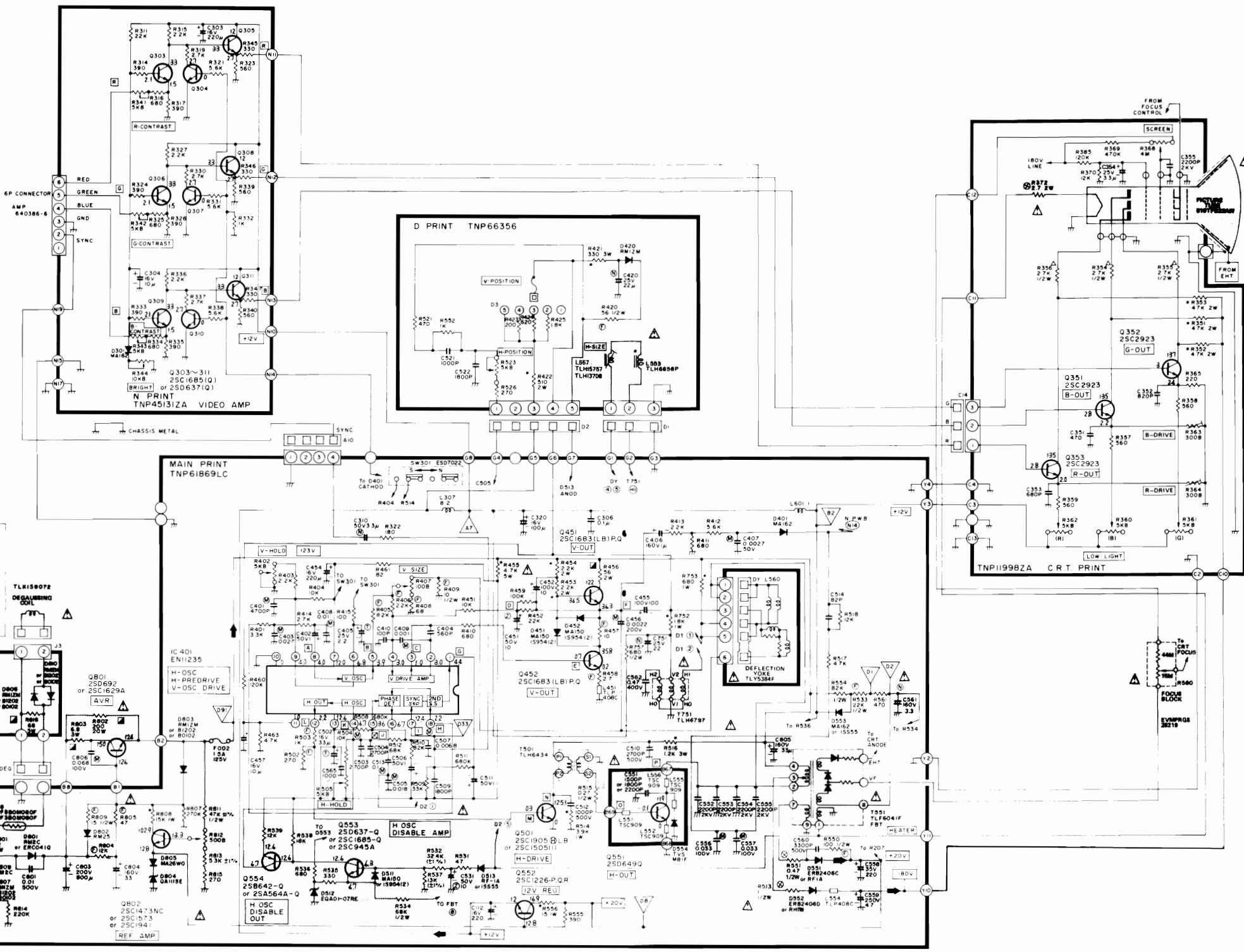
**NOTE**

1. RESISTOR  
 All resistors are carbon film resistor, unless otherwise noted the following marks:  
 Unit of resistance is OHM (Ω), K - 1,000, M - 1,000,000  
 □ Solid      \* Metal Glaze  
 ▨ Wire Wound      \* Thermistor  
 ▧ Non-Flammable      \* Fuse

2. CAPACITOR  
 All capacitors are ceramic 50V capacitor, unless otherwise noted the following marks:  
 Unit of capacitance is pF, unless otherwise noted:  
 □ Electronic      \* Safety Vent      \* Polyester  
 ▨ Non-Polar      \* Titanium Oxide      \* Polypropylene  
 ▧ Z-Type      \* Temp. Compensation      \* Polyester

3. COIL  
 Unit of inductance is μH

4. TEST POINT  
 ▽ Test point position



**NOTICE TO ALL PERSONS RECEIVING THIS DRAWING**  
 CONFIDENTIAL: Reproduction forbidden without the specific written permission of Atari, Inc., Sunnyvale, CA. This drawing is only conditionally issued, and neither receipt nor possession thereof confers or transfers any right in, or license to use, the subject matter of the drawing or any design or technical information shown thereon, nor any right to reproduce this drawing or any part thereof. Except for manufacture by vendors of Atari, Inc., and for manufacture under the corporation's written license, no right is granted to reproduce this drawing or the subject matter thereof, unless by written agreement with or written permission from the corporation.

**Matsushita Color Raster Display Schematic Diagram**

© ATARI INC. 1983

SP-230 Sheet 10A  
1st printing