

Game Options

DIP Switch Settings on Sub Board

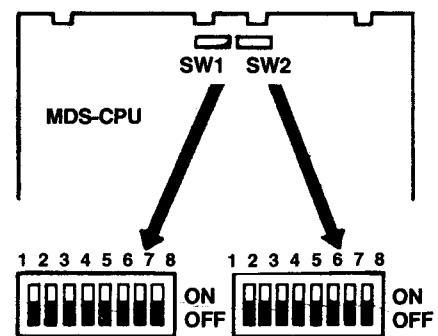
The DIP switch on the R.B.I. Baseball Sub Board must be set as follows for the game to function properly:

| | | | |
|----|----|-----|----|
| 1 | 2 | 3 | 4 |
| On | On | Off | On |

Game Option Settings on CPU Board

Set the DIP switch on the VS. or UniSystem Main Board to select the options you want. Switches 1 and 2 are used to select the value of the coin slot. Switches 3 and 4 are used to set the amount of time or innings per credit (the game software looks at whichever comes first—time expired or innings completed).

Game Option Settings MDS P.C. Board



SW1—Main Left side for two-monitor game; not used for one-monitor game.

SW2—Sub Right side for two-monitor game. Also used for one-monitor game.

Settings of DIP Switch on CPU Board

| 1 | 2 | 3 | 4 | 5 | 6 | 7 | 8 | Option |
|-----|-----|-----|-----|-----|---|---|---|--------------------------------------|
| Off | Off | | | | | | | Coins Per Credit |
| On | Off | | | | | | | 1 coin = 1 credit ◀ |
| Off | On | | | | | | | 1 coin = 2 credits |
| On | On | | | | | | | 2 coins = 1 credit |
| | | | | On | | | | 3 coins = 1 credit |
| | | | | Off | | | | Attract Mode |
| | | | | | | | | Maximum Game Length |
| | | | | | | | | 1-Player Game (in Innings) |
| | | | | | | | | 2-Player Game (in Innings) |
| | | | | | | | | Time (in Minutes) |
| | | On | Off | | | | | 2 |
| | | On | On | | | | | 1 |
| | | Off | Off | | | | | 2 ◀ |
| | | Off | On | | | | | 2 |
| | | | | | | | | 3 |
| | | | | | | | | 4 |
| | | | | | | | | 3 |
| | | | | | | | | 7 |
| | | | | | | | | Off Off Off Required Settings |

◀ Manufacturer's recommended setting