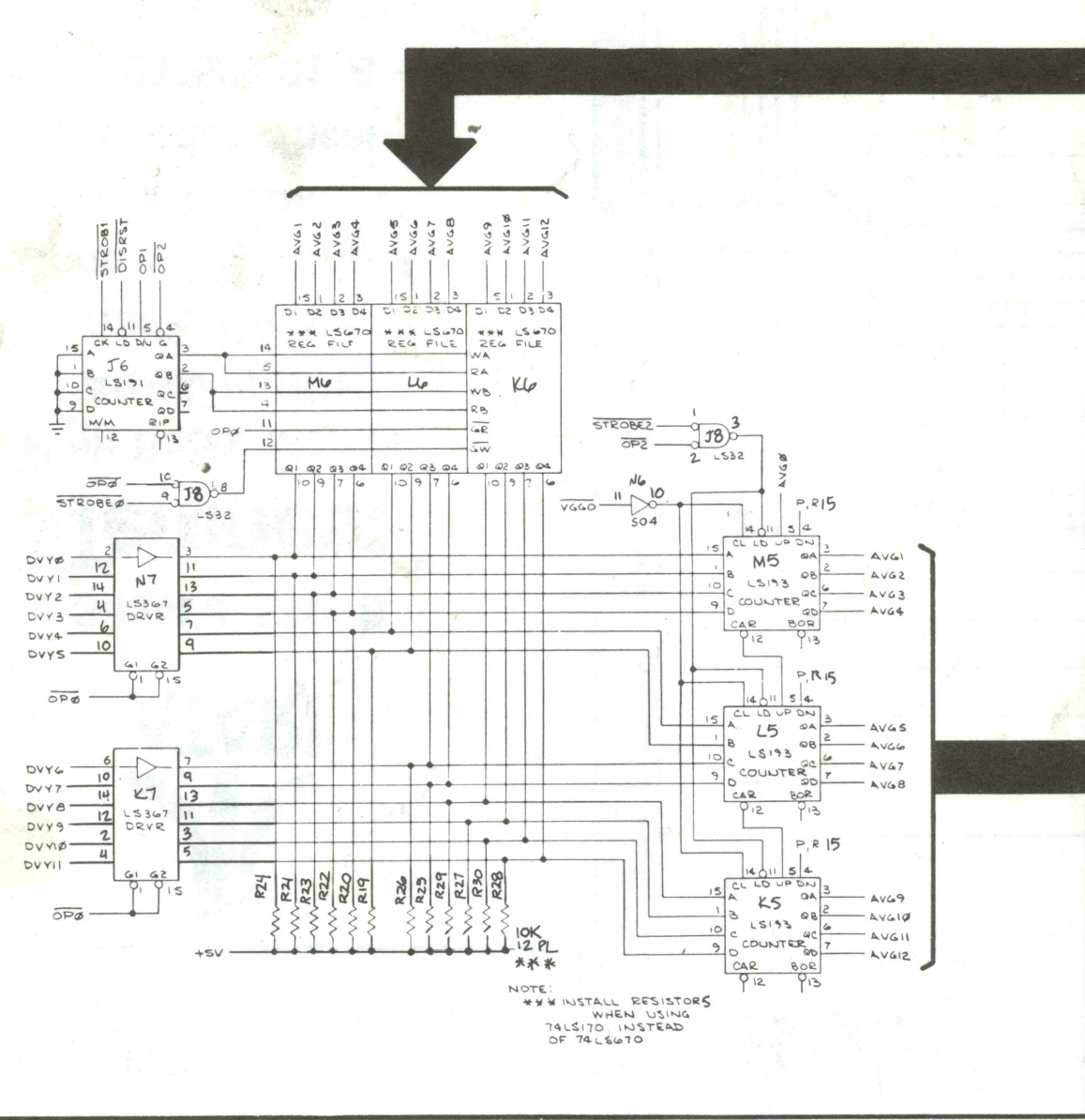
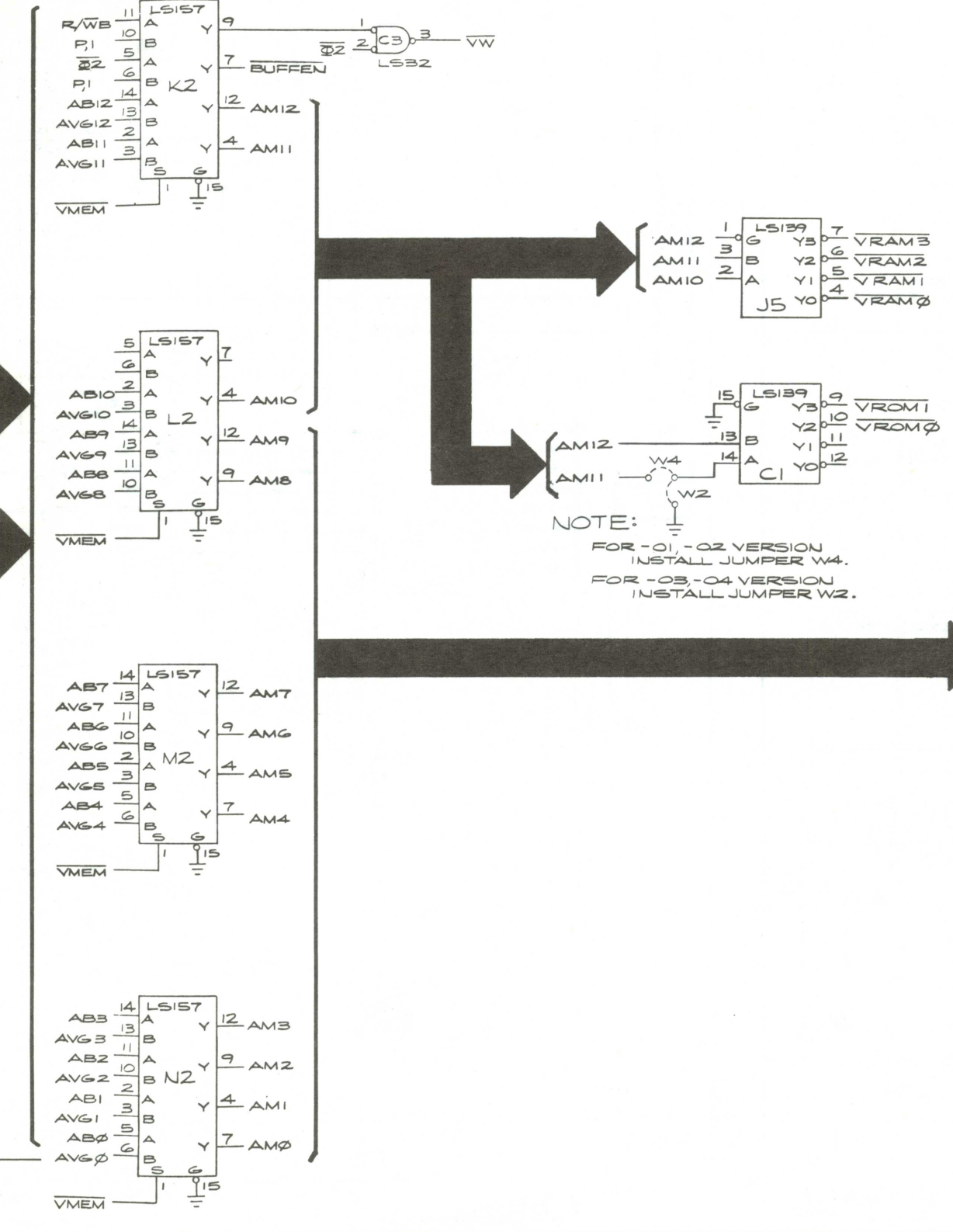


**Stack and Program Counter**



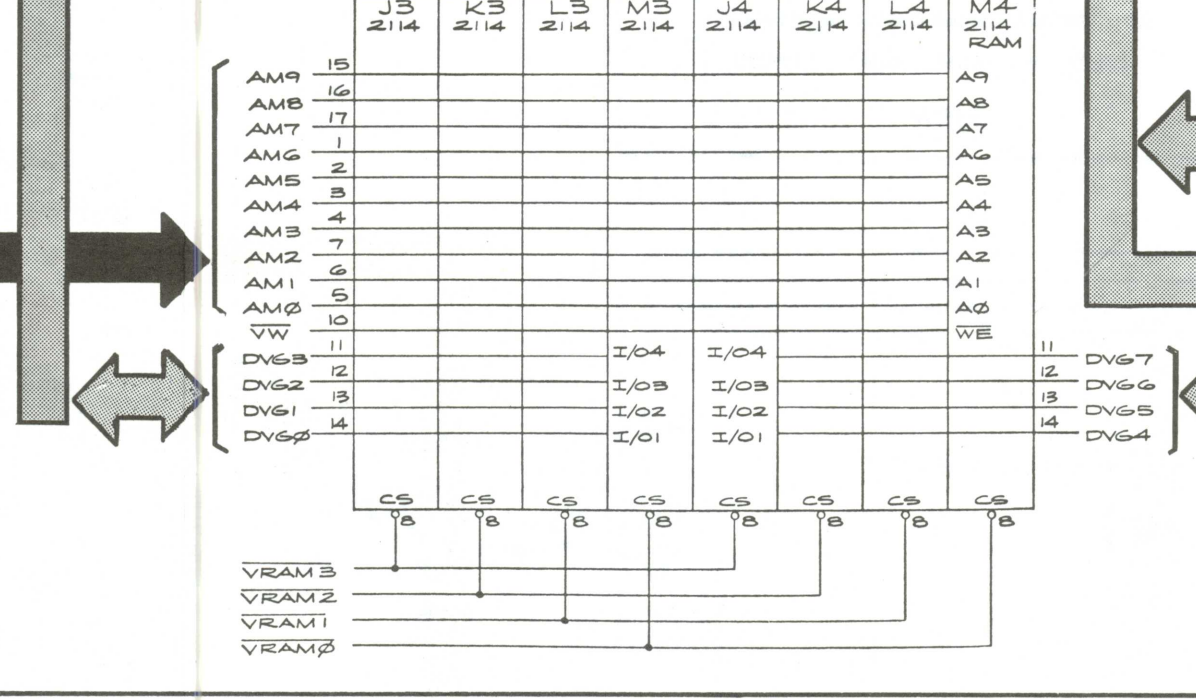
From MPU Buffered Address ABO thru AB12

**Vector-Generator Address Selector**

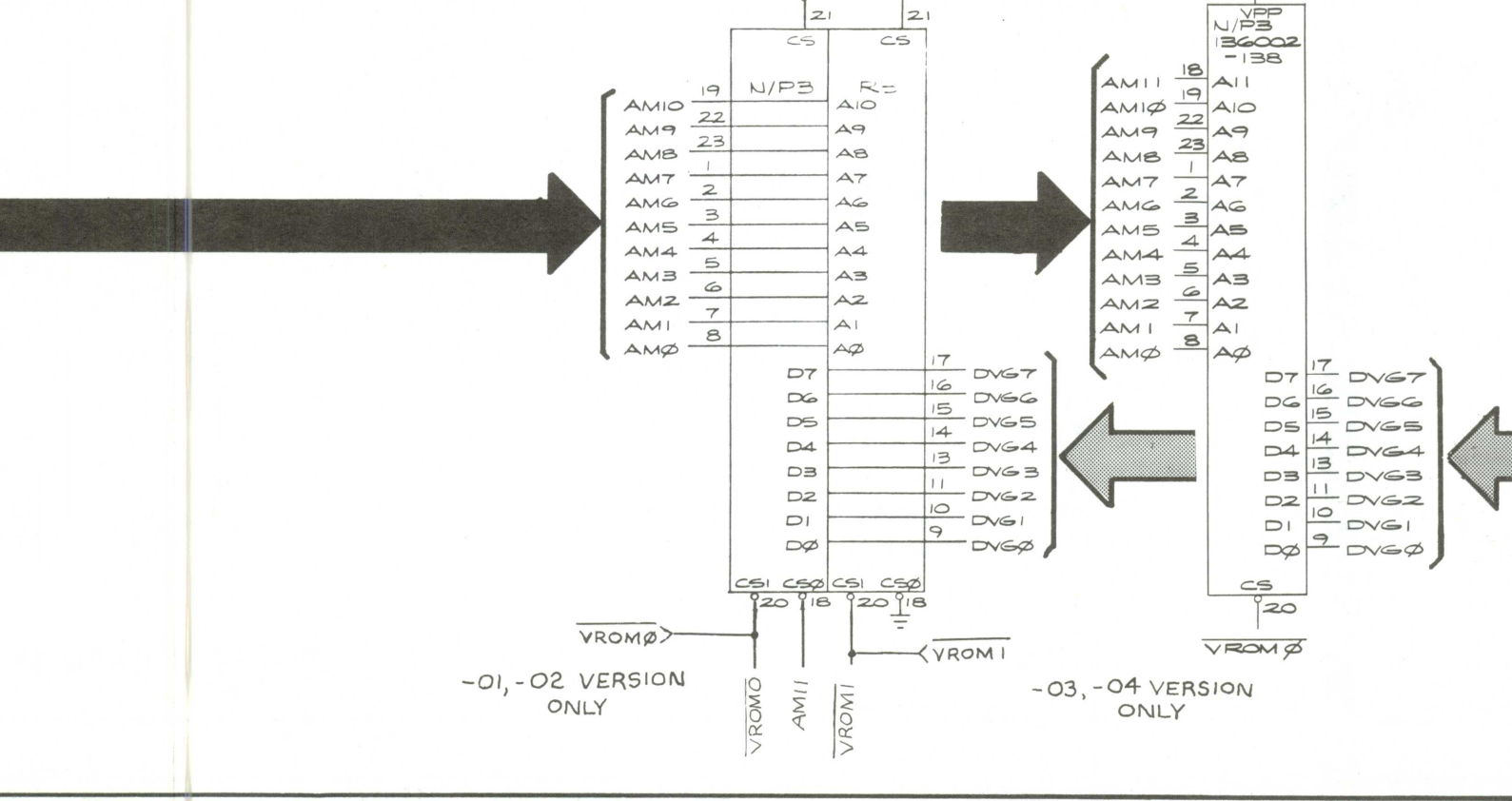


NOTE:  
FOR -01, -02 VERSION  
INSTALL JUMPER W4.  
FOR -03, -04 VERSION  
INSTALL JUMPER W2.

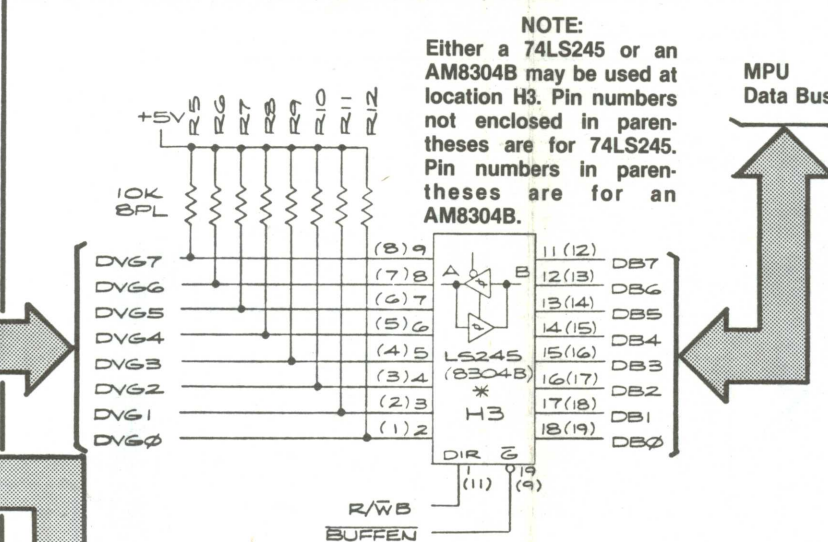
**Vector-Generator RAM**



**Vector-Generator ROM**

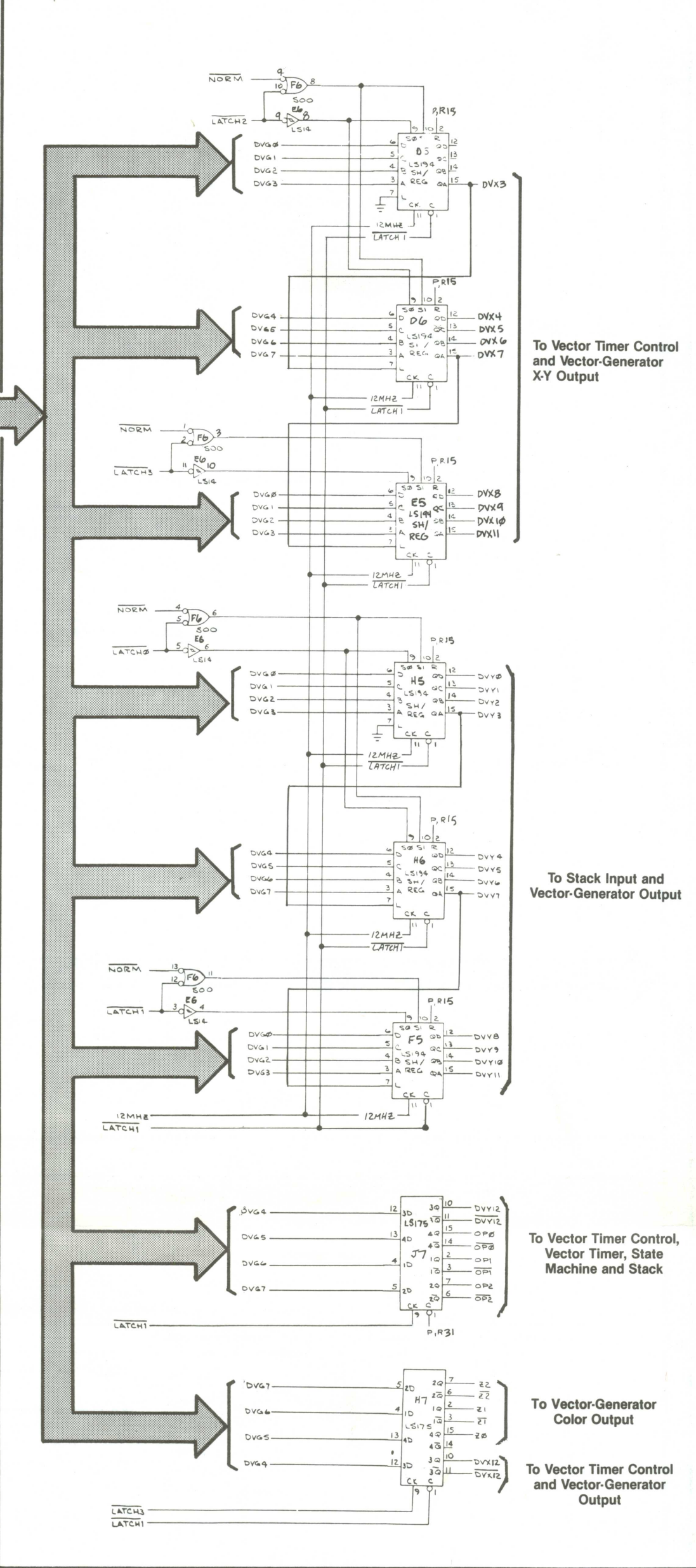


**Vector-Generator Data Buffer**



NOTE:  
Either a 74LS245 or an AM8304B may be used at location H3. Pin numbers not enclosed in parentheses are for 74LS245. Pin numbers in parentheses are for an AM8304B.

**Vector-Generator Data Shifter**



To Vector Timer Control and Vector-Generator XY Output

To Stack Input and Vector-Generator Output

To Vector Timer Control, Vector Timer, State Machine and Stack

To Vector-Generator Color Output

To Vector Timer Control and Vector-Generator Output

To Vector Timer Control and Stack

To Vector-Generator Memory Shifter

To Vector-Generator Output

NOTE TO ALL PERSONS RECEIVING THIS DRAWING  
CONFIDENTIAL. Reproduction forbidden without the specific written permission of Atari, Inc., Sunnyvale, CA. This drawing is only conditionally issued, and neither receipt nor possession thereof confers or transfers any right in or license to use, the subject matter of the drawing or any design or technical information shown thereon, not any right to reproduce this drawing or any part thereof. Except for manufacture by vendors of Atari, Inc., and for manufacture under the corporation's written license, no right to reproduce this drawing is granted of the subject matter thereof unless by written agreement with or written permission from the corporation.

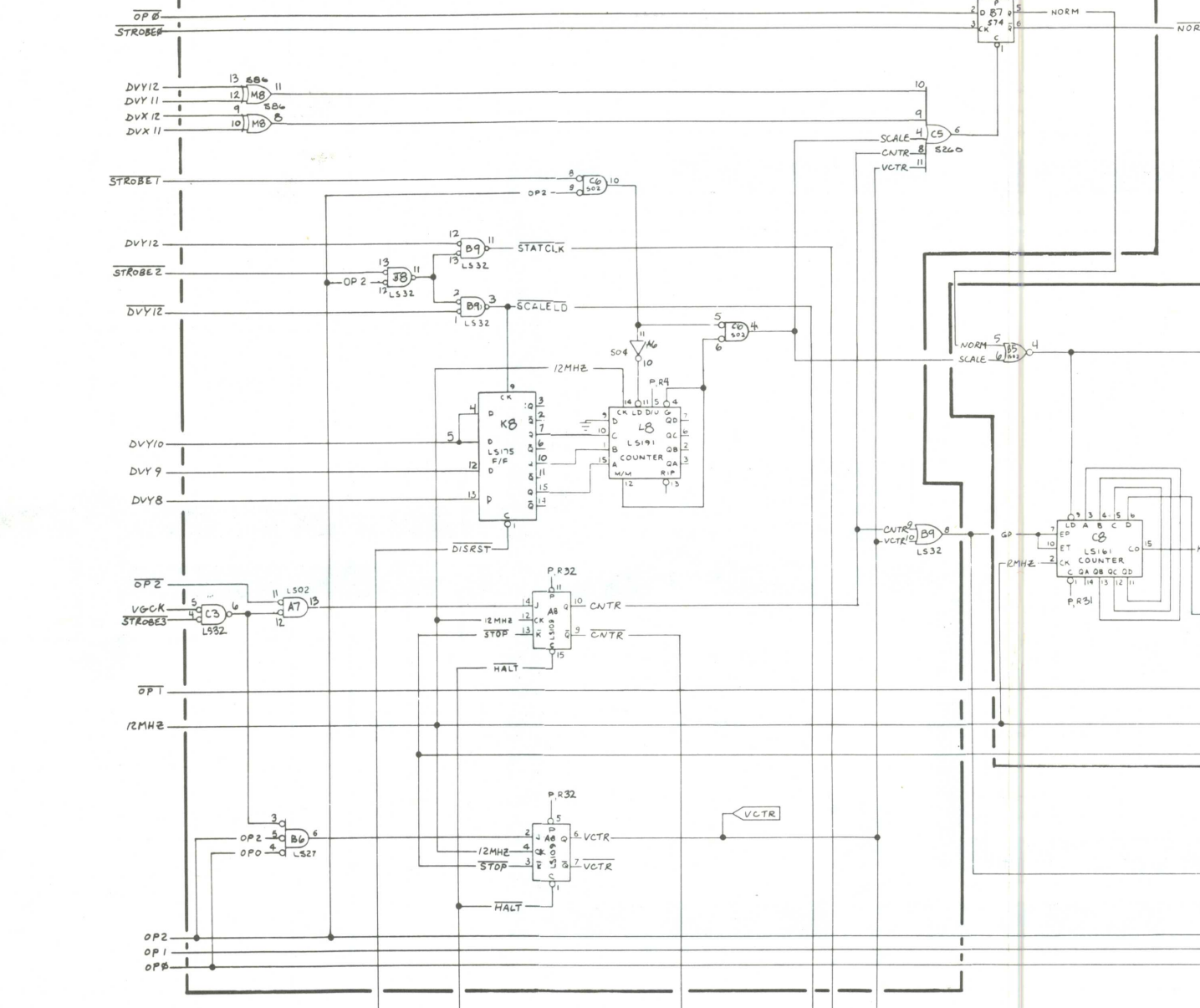


**Sheet 3, Side A  
Tempest™**

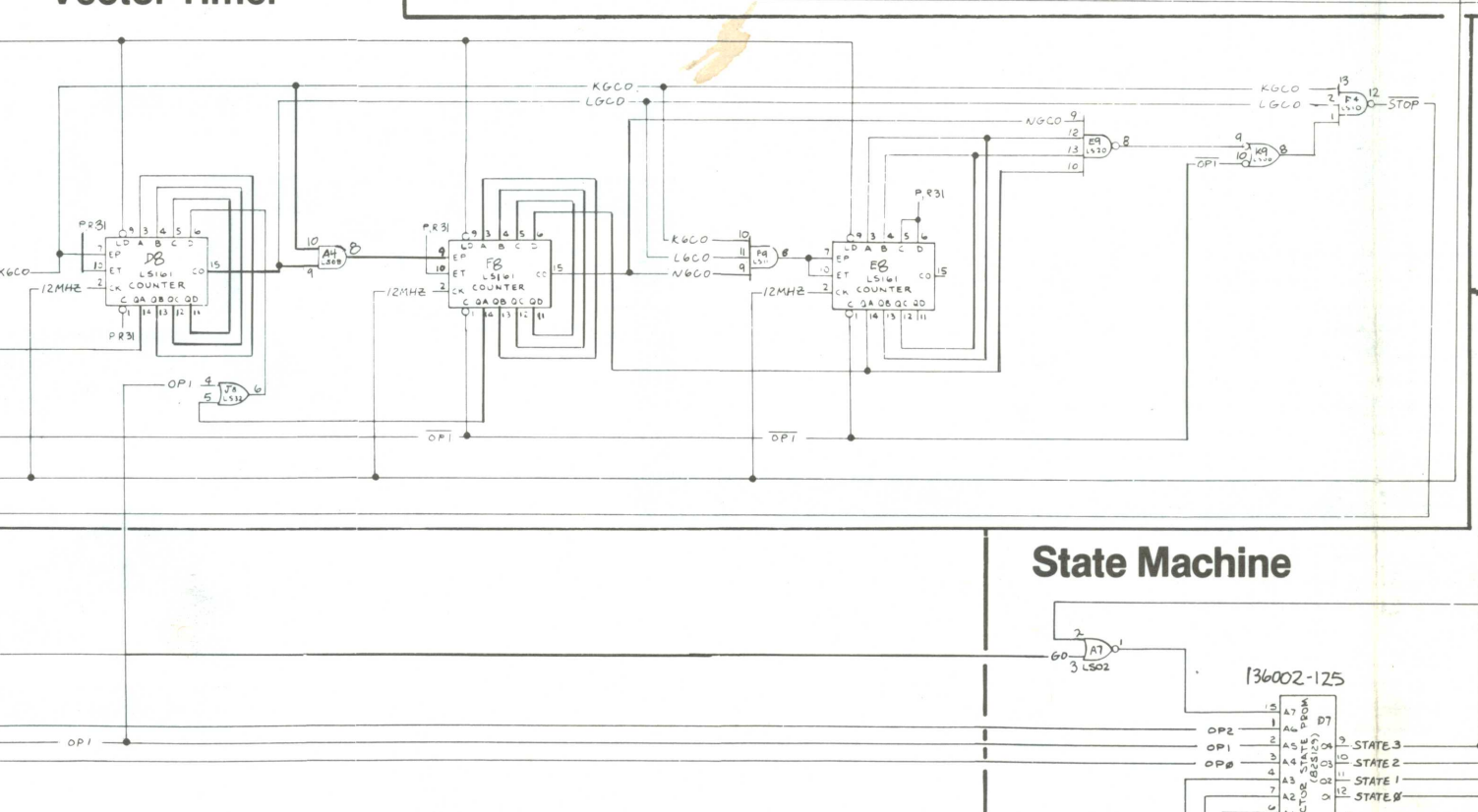
- Vector-Generator Program Counter
- Vector-Generator RAM
- Vector-Generator ROM
- Vector-Generator Data Shifter
- Vector-Generator Data Buffer
- Vector-Generator Address Selector
- Vector-Generator Vector Timer
- Vector-Generator State Machine

© 1981 Atari, Inc.

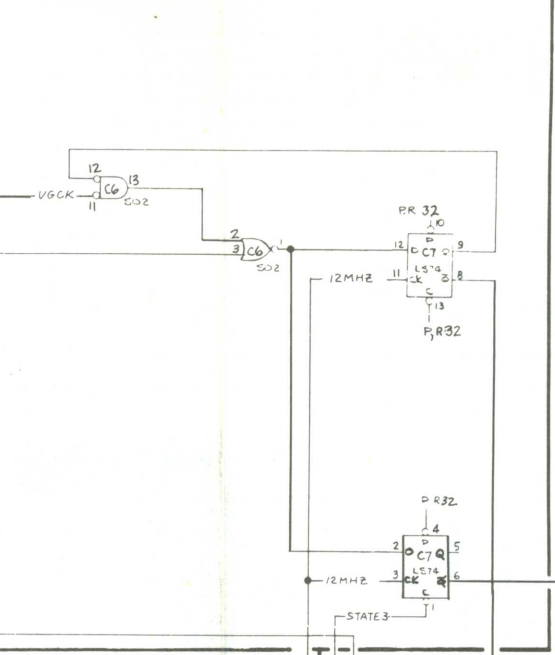
**Vector Timer Control**



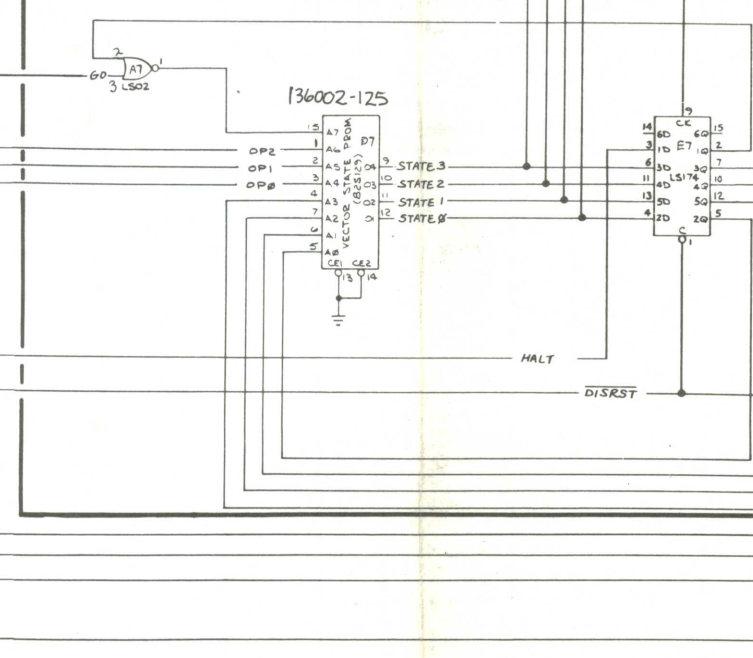
**Vector Timer**



**State Machine Control**



**State Machine**



**Vector Halt Latch**

