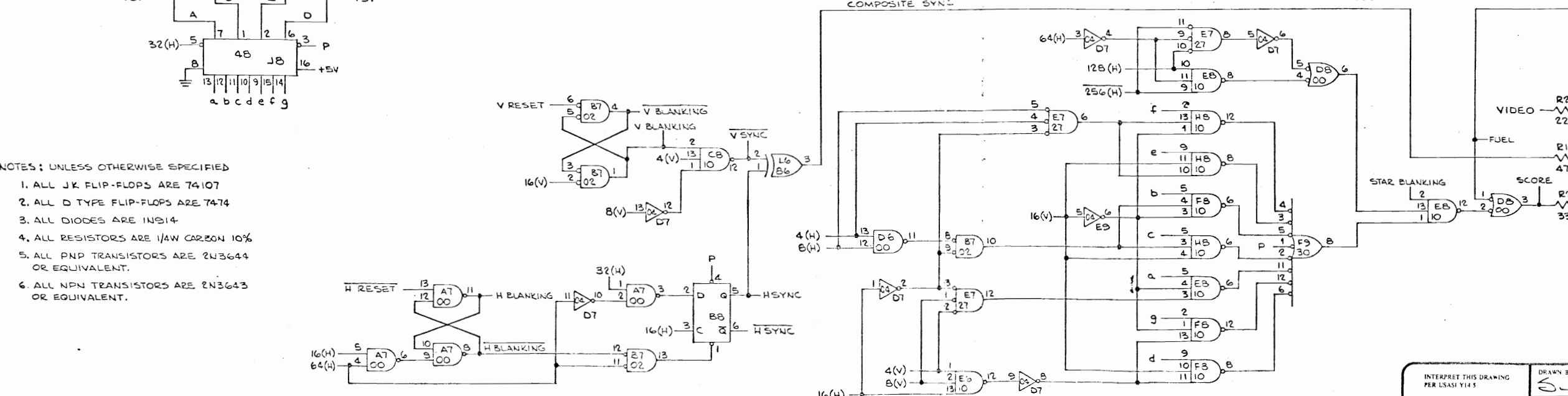


REVISIONS			INITIALS AND DATE		
SYM	DESCRIPTION		DRG.	CHEK.	ENGR.
F	REDRAWN FOR CLARITY				

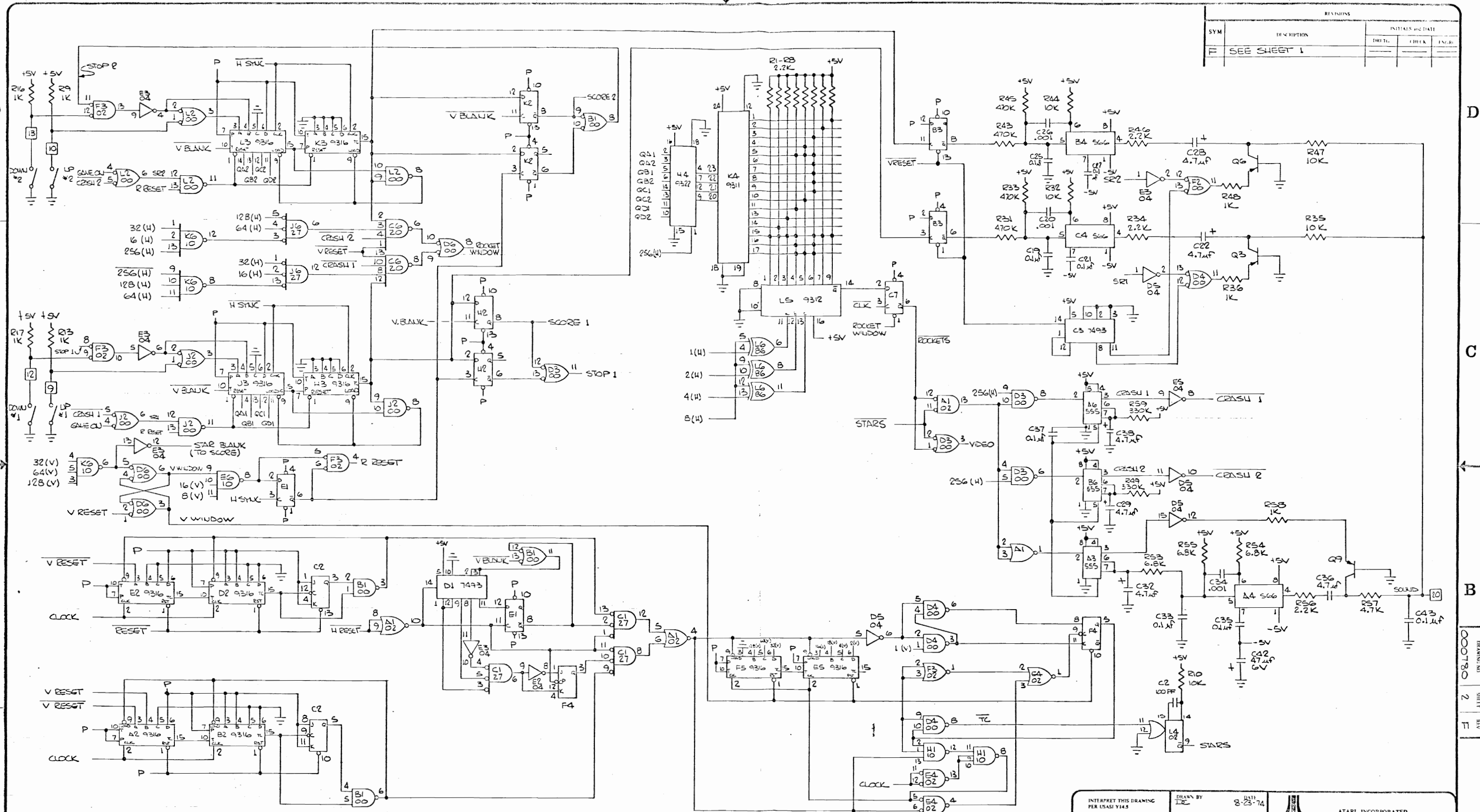


- NOTES: UNLESS OTHERWISE SPECIFIED
1. ALL JK FLIP-FLOPS ARE 74107
 2. ALL D TYPE FLIP-FLOPS ARE 7474
 3. ALL DIODES ARE 1N914
 4. ALL RESISTORS ARE 1/4W CARBON 10%
 5. ALL PNP TRANSISTORS ARE 2N3644 OR EQUIVALENT.
 6. ALL NPN TRANSISTORS ARE 2N3643 OR EQUIVALENT.

INTERPRET THIS DRAWING PER LSASI Y14.5	DRAWN BY	DATE	ATARI INCORPORATED 14600 Winchester Boulevard Los Gatos, California 95030
	CHECKED	8/5/72	
UNLESS OTHERWISE SPECIFIED DIMENSIONS ARE IN INCHES TOLERANCES ON:	DESIGN ENGINEER	8/4/74	TITLE SCHEMATIC SPACE RACE
	PROJECT ENGINEER		
FRACTIONS - 1/16 * = #3 ANGLES - 45° ** = #23 SURFACE FINISH - ✓ *** = # 80	DOCUMENT CONTROL		SIZE DRAWING NO. REV. D 000780 F
	APPROVED		

NOTICE TO ALL PERSONS RECEIVING THIS DRAWING: CONFIDENTIAL. Reproduction forbidden without the specific written permission of Atari Inc. This drawing is not to be used for any other purpose without the specific written permission of Atari Inc. Atari Inc. reserves the right to make changes to this drawing or any part thereof without notice. The drawing is granted in the public domain for the purpose of the Atari Inc. Atari Inc. reserves the right to make changes to this drawing or any part thereof without notice.

REVISIONS		
SYM	DESCRIPTION	INITIALS AND DATE
F	SEE SHEET 1	



NOTICE TO ALL PERSONS RECEIVING THIS DRAWING
 CONFIDENTIAL. Reproduction Forbidden without the specific written permission of Atari Inc., Los Gatos, California. This drawing is not to be conditionally loaned, and neither receipt nor possession thereof confers or transfers any right in or to the intellectual information shown thereon, nor any right to use or include all or part thereof in any patent application, or to make, use, or sell any article or process which would, in whole or in part, infringe upon the intellectual property of Atari Incorporated and for manufacture under the copyright notice herein, no right to reproduce this drawing or the subject matter thereof shall be granted without the prior written agreement with or written permission from the corporation.

INTERPRET THIS DRAWING PER USASI 1145 UNLESS OTHERWISE SPECIFIED DIMENSIONS ARE IN INCHES TOLERANCES ON: FRACTIONS = ±.016 .1 = ±.03 ANGLES = ±1° .1 = ±.03 SURFACE FINISH = 125 ±.010	DRAWN BY 12 8-23-74	ATARI INCORPORATED 14600 Winchester Boulevard Los Gatos, California 95030	
	CHECKED DESIGN ENGINEER		TITLE SCHEMATIC DIAGRAM SPACE RACE
	PROJECT ENGINEER		SIZE D 000780
	APPROVED		REV F

DRAWING NO. 000780 SHEET 2 OF 11

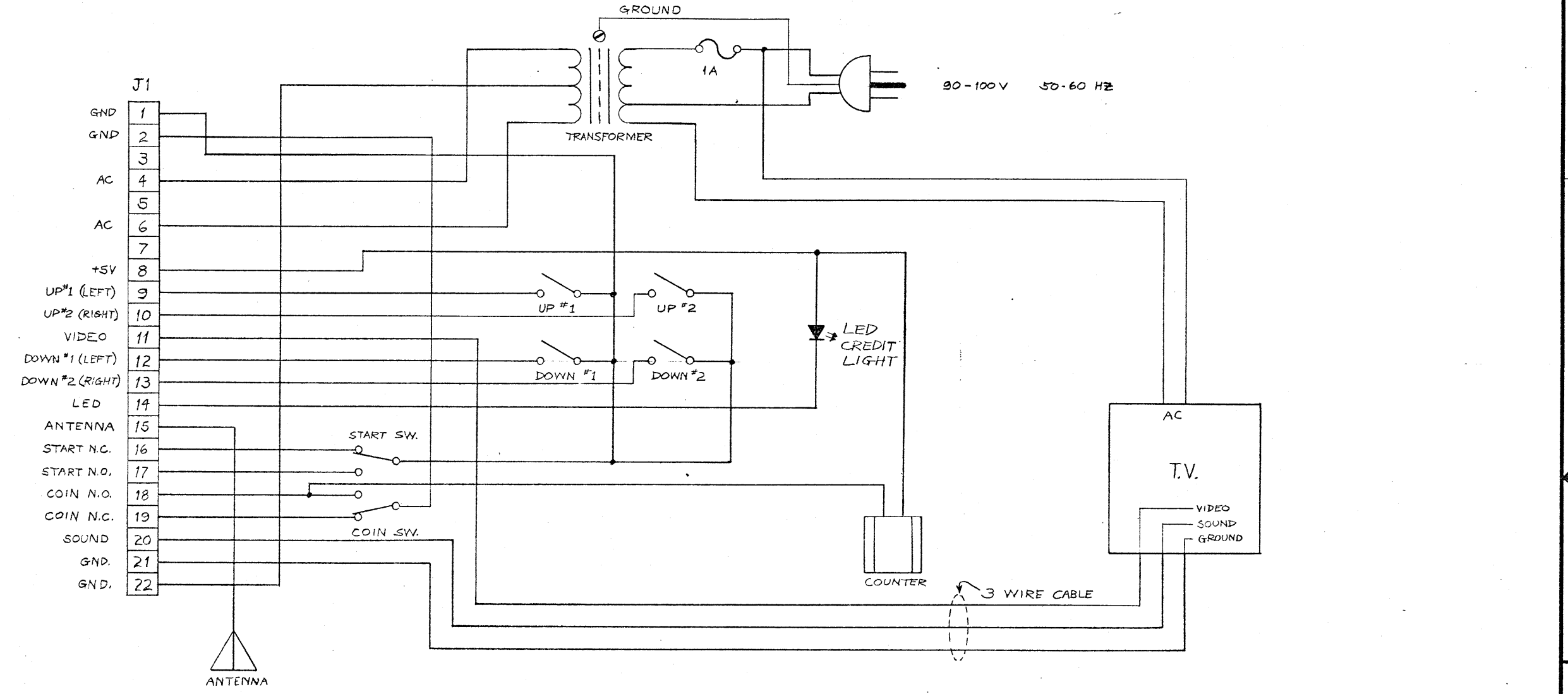
4

3

2

1

REVISIONS				
SYM	DESCRIPTION	INITIALS and DATE		
		DRAFTG	CHECK	ENGRG
A	REL. TO PROD. REDRAWN	5/16/74	<i>lit</i>	
B	REV. PER ECN 517	6/24/74	<i>lit</i>	WMD 6/25



1. ALL SWITCHES SHOWN IN THEIR NORMAL POSITIONS

NOTES:

DRAWING NO.
000771
SHEET
1/1
REV
B

INTERPRET THIS DRAWING PER USASI Y14.5 UNLESS OTHERWISE SPECIFIED DIMENSIONS ARE IN INCHES TOLERANCES ON: FRACTIONS = ±1/16 .x = ±.1 ANGLES = ±1° .xx = ±.03 SURFACE FINISH ✓ .xxx = ±.010	DRAWN BY T. Fowlks DATE 5/16/74	ATARI INCORPORATED 14600 Winchester Boulevard Los Gatos, California 95030						
	CHECKED DESIGN ENGINEER PROJECT ENGINEER <i>D. Long</i> DOCUMENT CONTROL <i>MJ</i>		TITLE WIRING HARNESS S.R.					
MATERIAL:	APPROVED <i>Eric [unclear]</i> 6/25/74	SIZE C DRAWING NO. 000771 SCALE NONE						
<table border="1"> <tr> <td> </td> <td>SPACE RACE</td> </tr> <tr> <td>NEXT ASSY</td> <td>USED ON</td> </tr> <tr> <td colspan="2">APPLICATION</td> </tr> </table>		SPACE RACE	NEXT ASSY	USED ON	APPLICATION		REV B SHEET 1 OF 1	REV B
	SPACE RACE							
NEXT ASSY	USED ON							
APPLICATION								

4

3

2

1

A