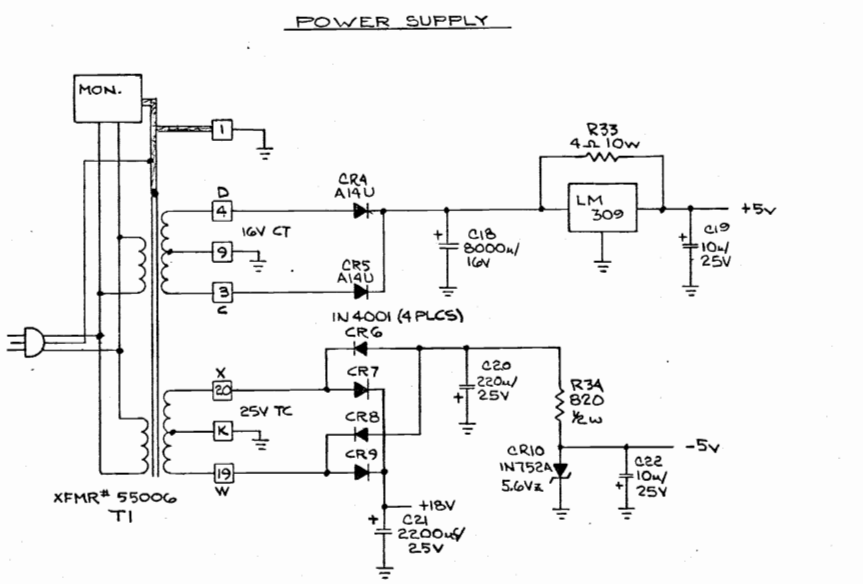
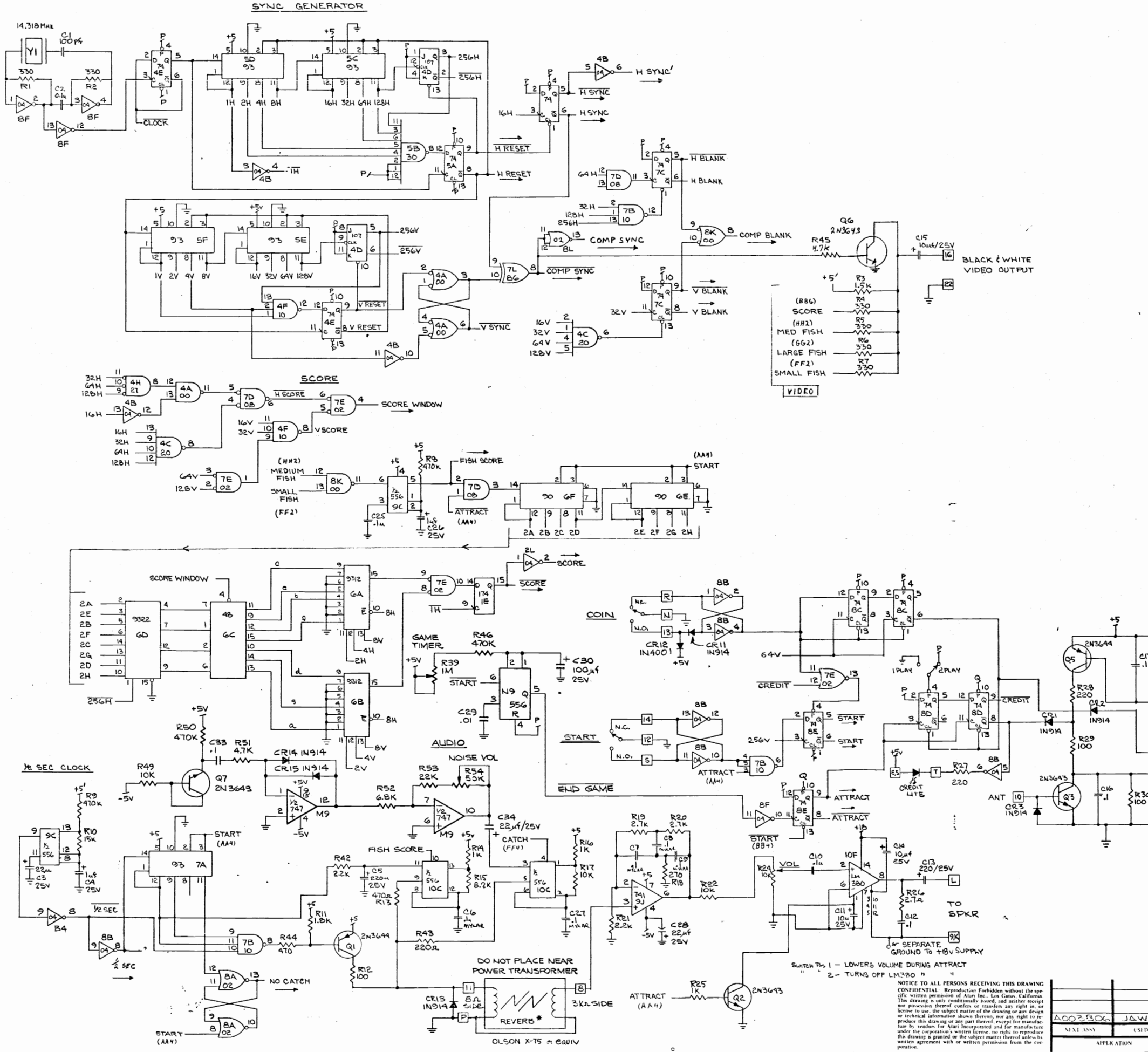


REVISIONS			
SYM	DESCRIPTION	INITIALS and DATE	
		DRAWN	CHECKED
A	PRODUCTION RELEASE	9/13/75	[Signature]
B	REV PER ECN 1613, 1669	10/15/75	[Signature]
C	REV PER ECN 1712	1/23/76	[Signature]

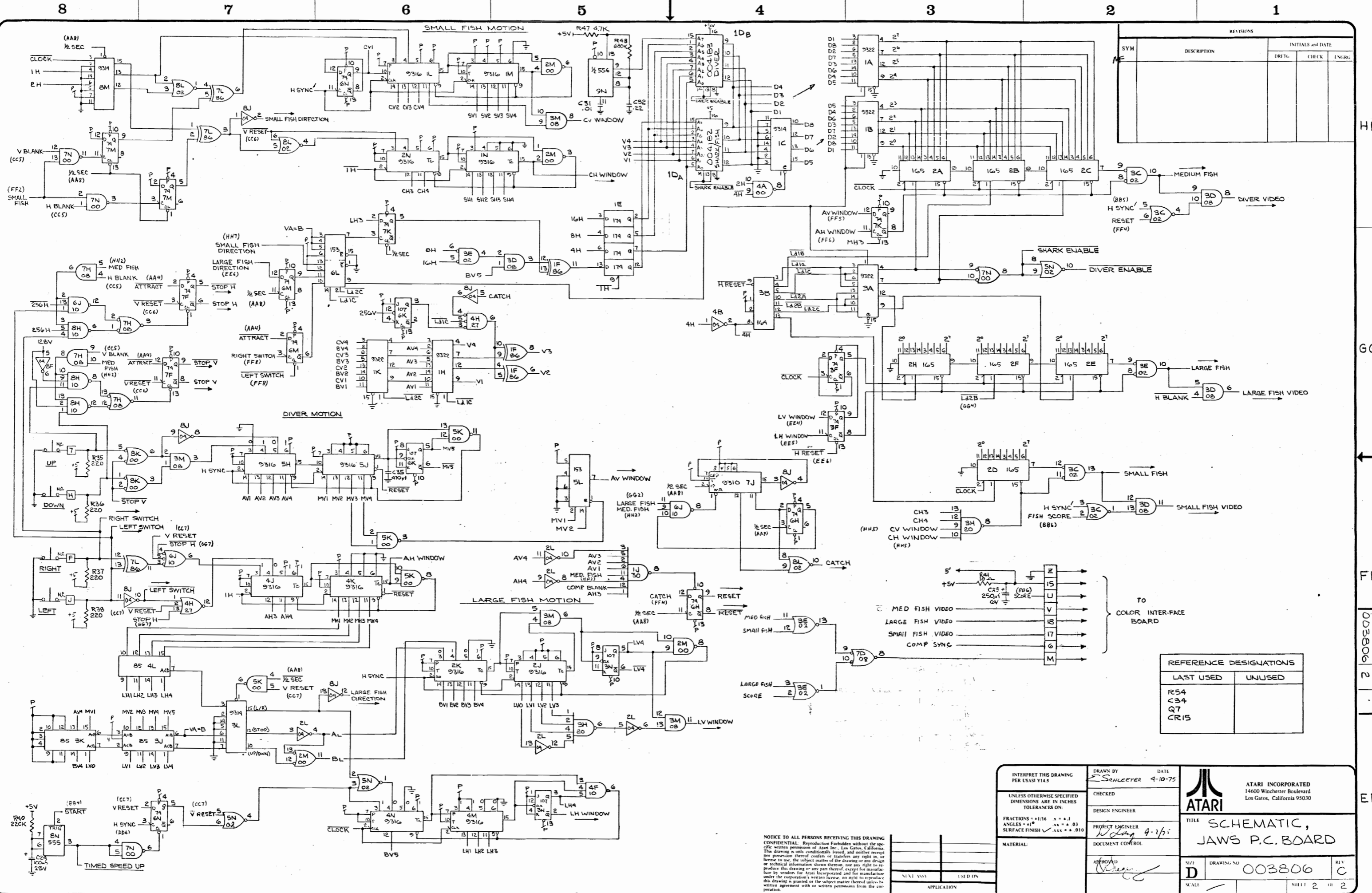


**SPARE GATES**

7486	1FA
74153	5LB
74174	1EE
7400	7NC
7402	8AA

INTERPRET THIS DRAWING PER USASI Y14.5	DRAWN BY: E. SOMMEIER 4-10-75	DATE: 4-10-75
UNLESS OTHERWISE SPECIFIED DIMENSIONS ARE IN INCHES TOLERANCES ON:	CHECKED:	
FRACTIONS = 1/16, 1/8, 1/4	DESIGN ENGINEER:	
ANGLES = ±1°	PROJECT ENGINEER:	
SURFACE FINISH = .010	DATE: 7-2-75	
MATERIAL:	DOCUMENT CONTROL:	
	APPROVED:	
<p>NOTICE TO ALL PERSONS RECEIVING THIS DRAWING: CONFIDENTIAL. Reproduction Forbidden without the specific written permission of Atari Inc., Los Gatos, California. The drawing is only conditionally issued, and neither receipt nor possession thereof confers or transfers any right in, or license to use, the subject matter of the drawing or any design or technical information shown thereon, nor any right to reproduce this drawing or any part thereof, except for manufacture under the corporation's written license, no right to reproduce this drawing is granted or the subject matter thereof unless by written agreement with or written permission from the corporation.</p>		
<p>SWITCH P-1 - LOWERS VOLUME DURING ATTRACT P-2 - TURNS OFF LM309</p>		
<p>DO NOT PLACE NEAR POWER TRANSFORMER</p>		
<p>REVERB* OLSON X-75 @ EQUIV</p>		
<p>TO SPKR</p>		
<p>SEPARATE GROUND TO +5V SUPPLY</p>		

ATARI INCORPORATED 14600 Winchester Boulevard Los Gatos, California 95030	TITLE: SCHEMATIC, JAWS P.C. BOARD
SIZE: D	DRAWING NO: 003806
REV: C	SHEET: 1 OF 2



REVISIONS			
SYM	DESCRIPTION	INITIALS	DATE

REFERENCE DESIGNATIONS	
LAST USED	UNUSED
R54	
C34	
Q7	
CR15	

INTERPRET THIS DRAWING PER ULAS1 Y14.5 UNLESS OTHERWISE SPECIFIED DIMENSIONS ARE IN INCHES TOLERANCES ON: FRACTIONS = +1/16 X = +.1 ANGLES = ±1° SURFACE FINISH = .010	DRAWN BY SCHAEFER	DATE 4-10-75	ATARI INCORPORATED 14600 Winchester Boulevard Los Gatos, California 95030		
	CHECKED	DESIGN ENGINEER		TITLE SCHEMATIC, JAWS P.C. BOARD	
	PROJECT ENGINEER W. Schaefer 4-10-75	DOCUMENT CONTROL		SIG D	DRAWING NO 003806
	APPROVED			RIV C	SCALE

NOTICE TO ALL PERSONS RECEIVING THIS DRAWING  
 CONFIDENTIAL. Reproduction Forbidden without the specific written permission of Atari Inc., Los Gatos, California. This drawing is only conditionally issued, and neither receipt nor possession thereof confers or transfers any right in, or license to use, the subject matter of the drawing or any design or technical information shown thereon, nor any right to reproduce this drawing or any part thereof, except for manufacture by vendor for Atari Incorporated and for manufacture under the corporation's written license, no right to reproduce the drawing is granted or the subject matter thereof unless by written agreement with or written permission from the corporation.


HH

GG

FF

EE

DRAWING NO. 003806 SHEET 2 REV