

Table of Contents

Road Blasters™/Cockpit LSI Main PCB Schematic Diagrams	Sheets 1-8
Road Blasters/Cockpit LSI Cartridge 5 PCB Schematic Diagrams	Sheet 9-17
Road Blasters/Cockpit Main Wiring Diagram	Sheet 18
Road Blasters Audio II PCB Schematic Diagram	Sheet 19
Wiring Diagrams for SL Power Supply, Coin Door, 5V 10A Power Supply, and Coupler PCB	Sheet 20
Road Blasters Video Microprocessor Memory Map	Sheet 21
Road Blasters I/O and Sound Microprocessor Memory Map	Sheet 22

Road Blasters™ Schematic Package

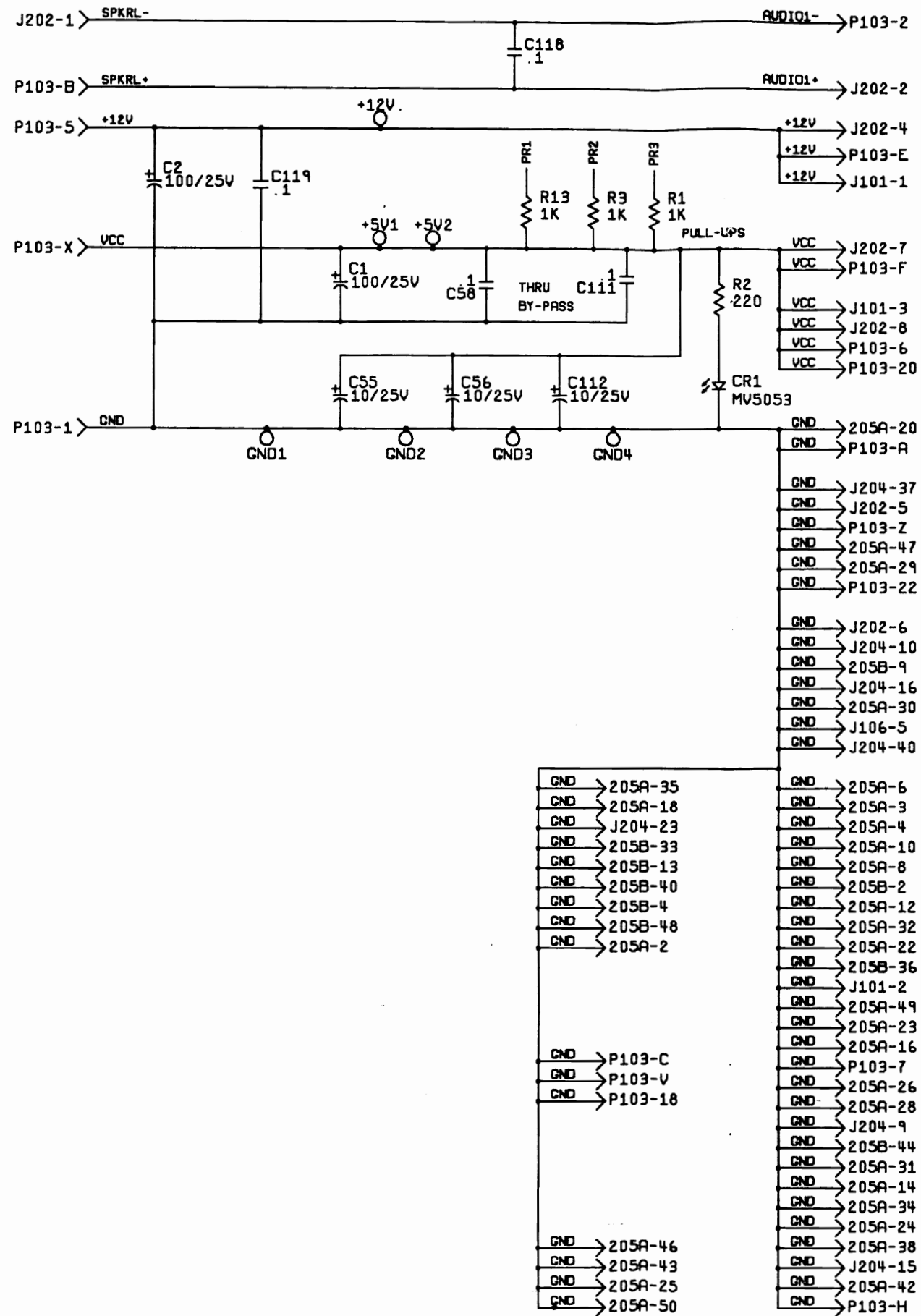
Supplement to the Operators Manual

For Cockpit Game



This staple temporarily holds the schematic package together. Remove the staple before using these schematics.

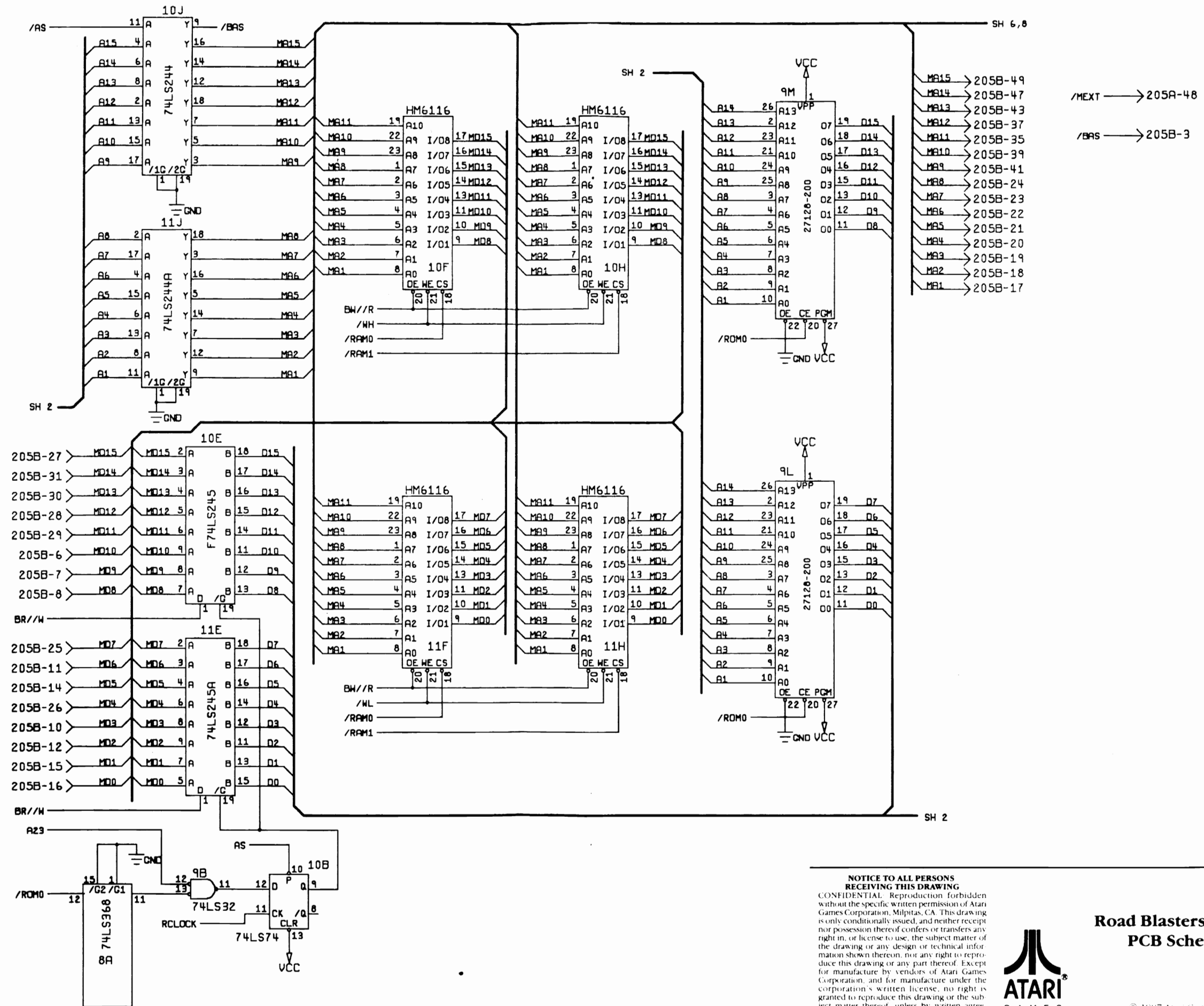




NOTICE TO ALL PERSONS RECEIVING THIS DRAWING
 CONFIDENTIAL: Reproduction forbidden without the specific written permission of Atari Games Corporation, Milpitas, CA. This drawing is only conditionally issued, and neither receipt nor possession thereof confers or transfers any right in, or license to use, the subject matter of the drawing or any design or technical information shown thereon, nor any right to reproduce this drawing or any part thereof. Except for manufacture by vendors of Atari Games Corporation, and for manufacture under the corporation's written license, no right is granted to reproduce this drawing or the subject matter thereof, unless by written agreement with or written permission from the corporation.



**Road Blasters™ / Cockpit LSI Main
 PCB Schematic Diagram**



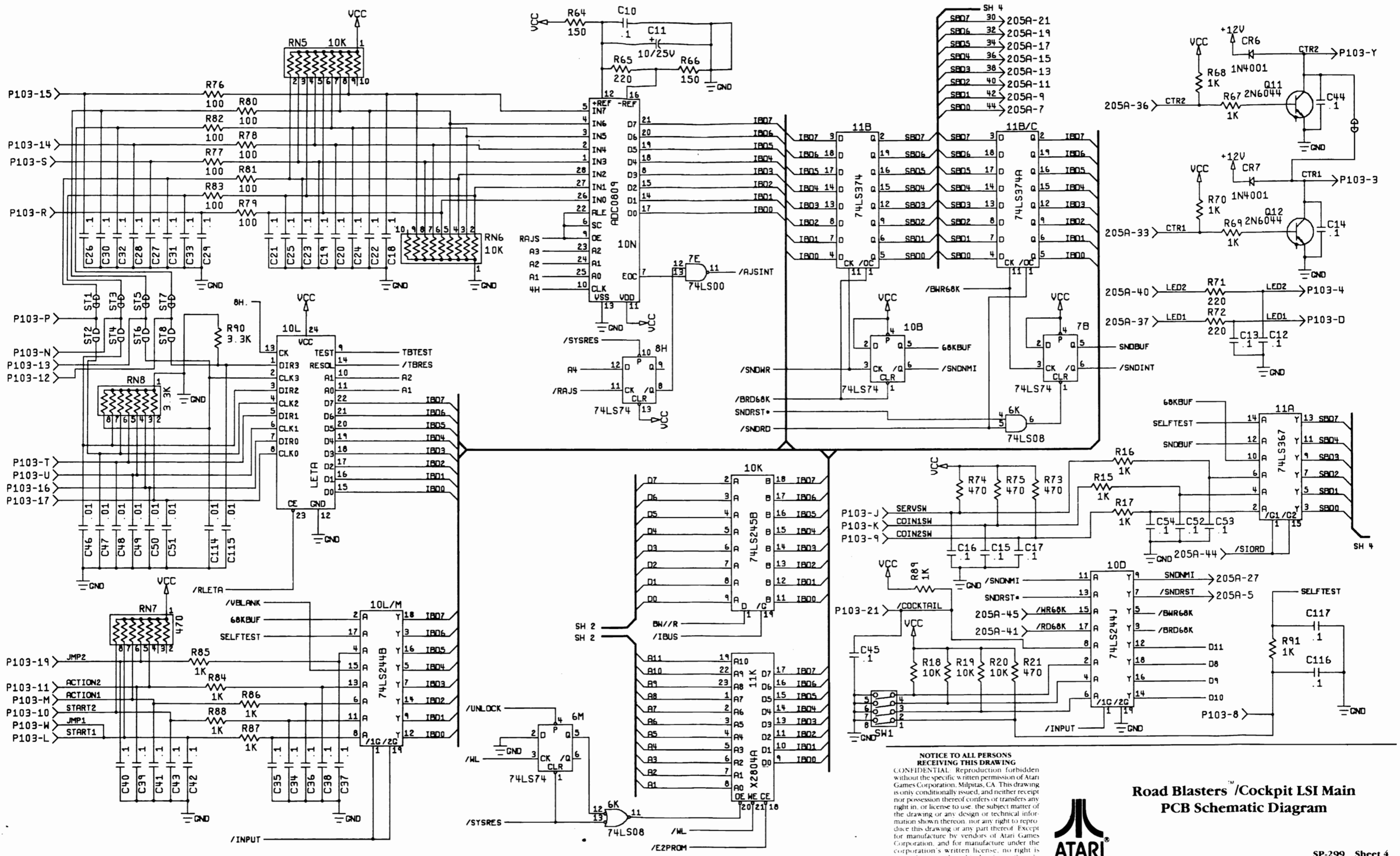
NOTICE TO ALL PERSONS RECEIVING THIS DRAWING
 CONFIDENTIAL. Reproduction forbidden without the specific written permission of Atari Games Corporation, Milpitas, CA. This drawing is only conditionally issued, and neither receipt nor possession thereof confers or transfers any right in, or license to use, the subject matter of the drawing or any design or technical information shown thereon, nor any right to reproduce this drawing or any part thereof. Except for manufacture by vendors of Atari Games Corporation, and for manufacture under the corporation's written license, no right is granted to reproduce this drawing or the subject matter thereof, unless by written agreement with or written permission from the corporation.



**Road Blasters™ / Cockpit LSI Main
 PCB Schematic Diagram**

© 1987 Atari Games Corporation

SP-299 Sheet 3
 1st printing

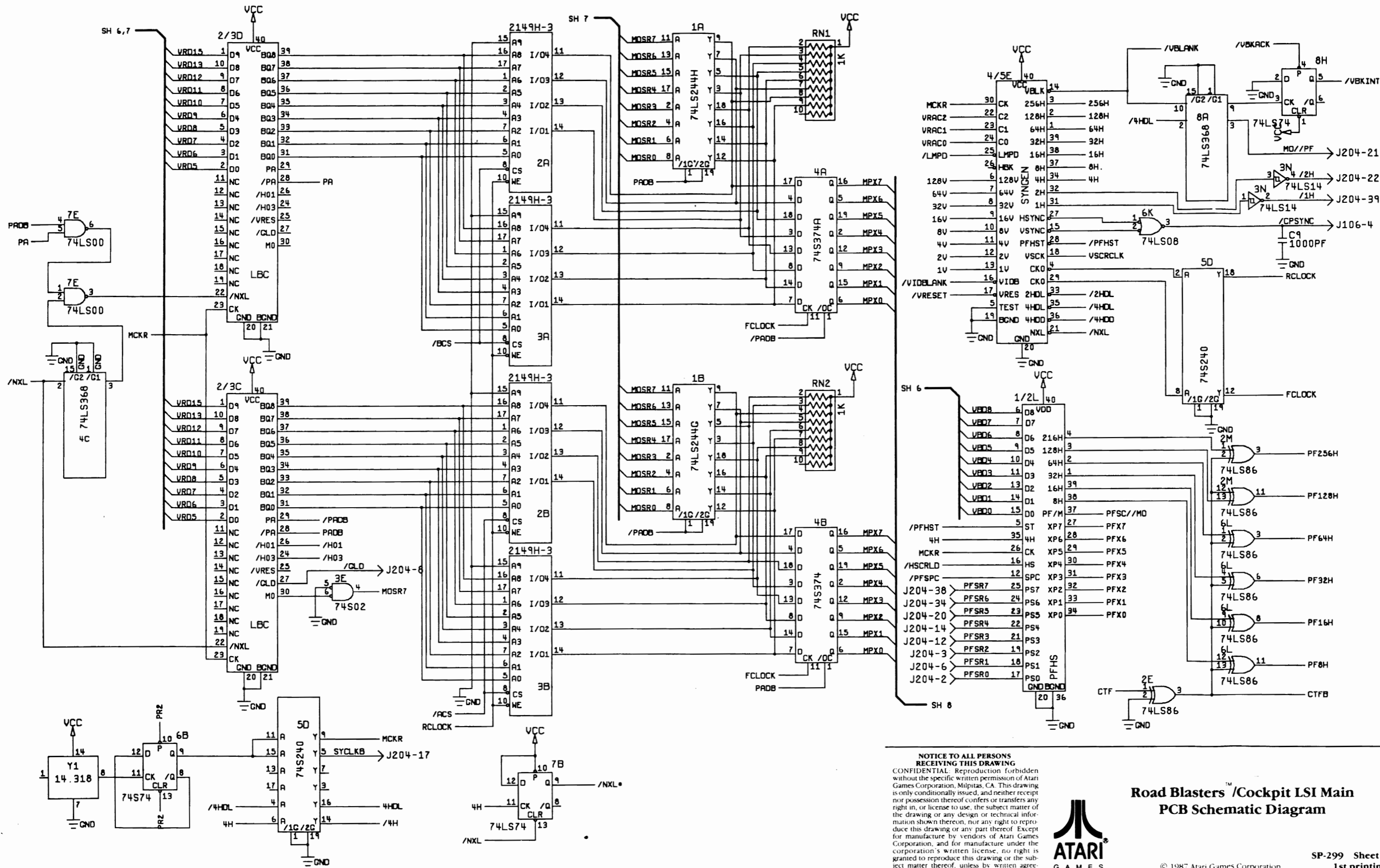


NOTICE TO ALL PERSONS RECEIVING THIS DRAWING
 CONFIDENTIAL. Reproduction, for or without the specific written permission of Atari Games Corporation, Milpitas, CA. This drawing is only conditionally issued, and neither receipt nor possession thereof confers or transfers any right in, or license to use, the subject matter of the drawing or any design or technical information shown thereon, nor any right to reproduce this drawing or any part thereof. Except for manufacture by vendors of Atari Games Corporation, and for manufacture under the corporation's written license, no right is granted to reproduce this drawing or the subject matter thereof, unless by written agreement with or written permission from the corporation.



Road Blasters™ / Cockpit LSI Main PCB Schematic Diagram

043556-01



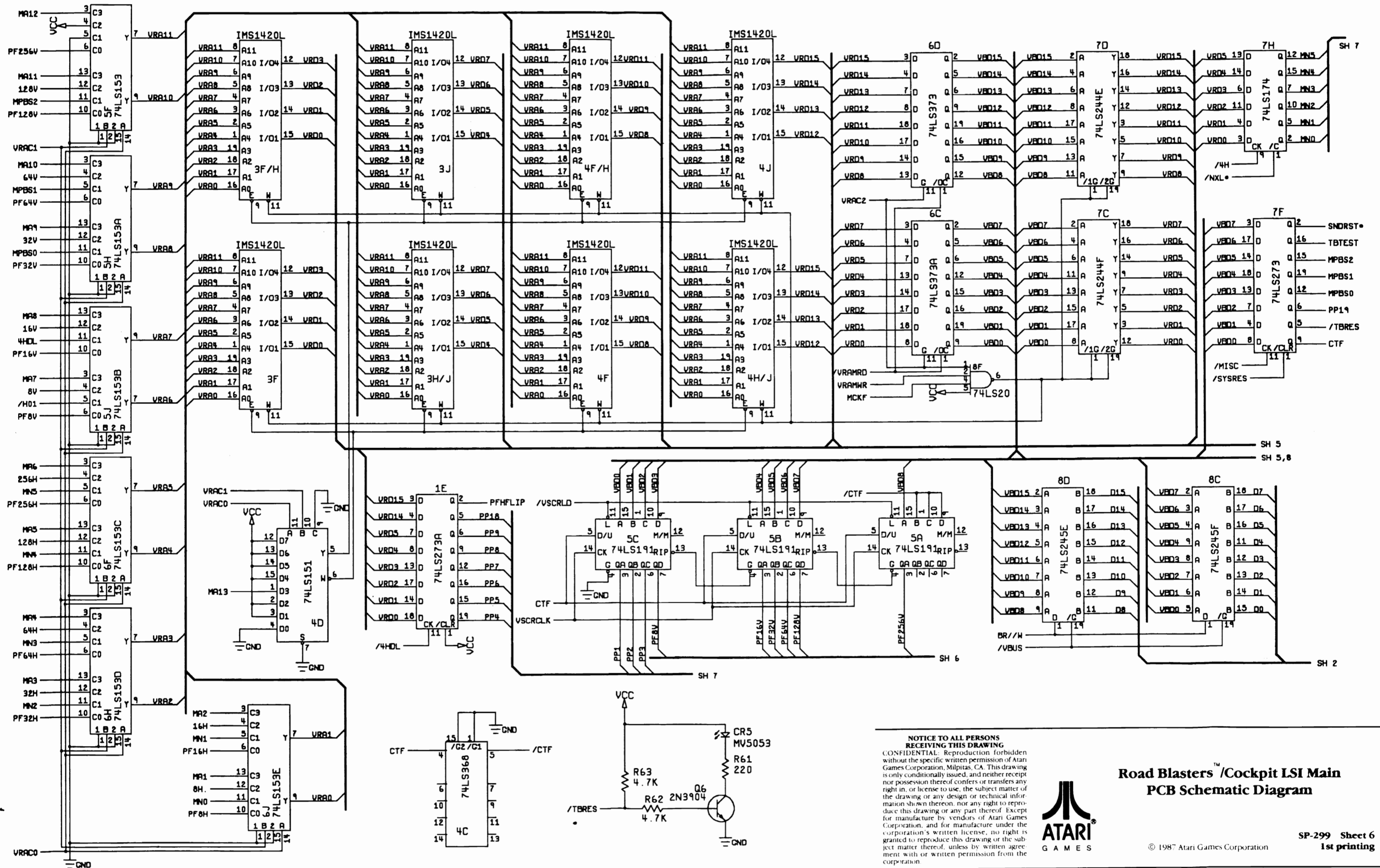
NOTICE TO ALL PERSONS RECEIVING THIS DRAWING
 CONFIDENTIAL: Reproduction forbidden without the specific written permission of Atari Games Corporation, Milpitas, CA. This drawing is only conditionally issued, and neither receipt nor possession thereof confers or transfers any right in, or license to use, the subject matter of the drawing or any design or technical information shown thereon, nor any right to reproduce this drawing or any part thereof. Except for manufacture by vendors of Atari Games Corporation, and for manufacture under the corporation's written license, no right is granted to reproduce this drawing or the subject matter thereof, unless by written agreement with or written permission from the corporation.



**Road Blasters™ / Cockpit LSI Main
 PCB Schematic Diagram**

© 1987 Atari Games Corporation

SP-299 Sheet 5
 1st printing



NOTICE TO ALL PERSONS RECEIVING THIS DRAWING
 CONFIDENTIAL: Reproduction forbidden without the specific written permission of Atari Games Corporation, Milpitas, CA. This drawing is only conditionally issued, and neither receipt nor possession thereof confers or transfers any right in, or license to use, the subject matter of the drawing or any design or technical information shown thereon, nor any right to reproduce this drawing or any part thereof. Except for manufacture by vendors of Atari Games Corporation, and for manufacture under the corporation's written license, no right is granted to reproduce this drawing or the subject matter thereof, unless by written agreement with or written permission from the corporation.

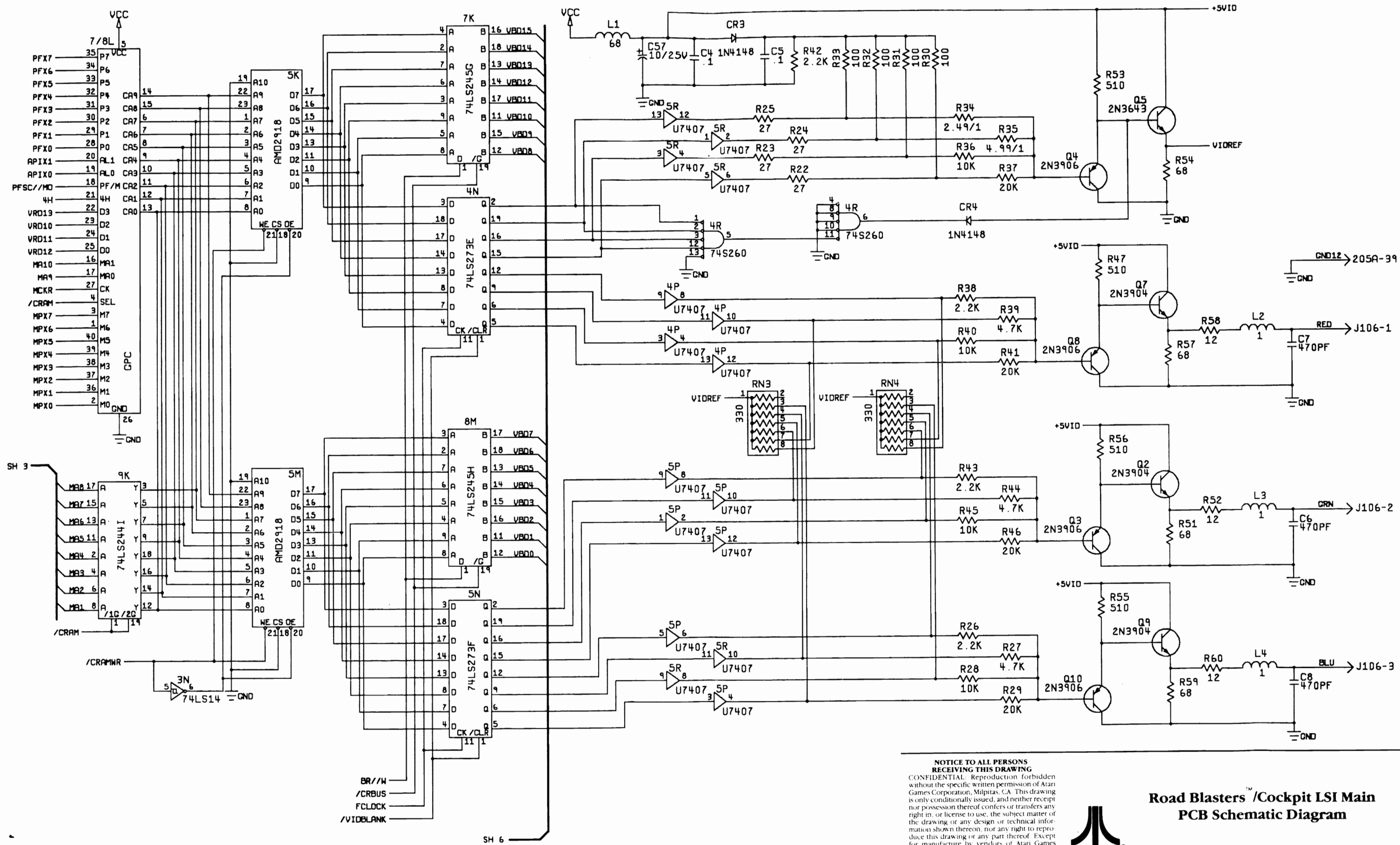


**Road Blasters™ /Cockpit LSI Main
 PCB Schematic Diagram**

© 1987 Atari Games Corporation

SP-299 Sheet 6
 1st printing

043556-01



NOTICE TO ALL PERSONS RECEIVING THIS DRAWING
 CONFIDENTIAL: Reproduction forbidden without the specific written permission of Atari Games Corporation, Milpitas, CA. This drawing is only conditionally issued, and neither receipt nor possession thereof confers or transfers any right in, or license to use, the subject matter of the drawing or any design or technical information shown thereon, nor any right to reproduce this drawing or any part thereof. Except for manufacture by vendors of Atari Games Corporation, and for manufacture under the corporation's written license, no right is granted to reproduce this drawing or the subject matter thereof, unless by written agreement with or written permission from the corporation.

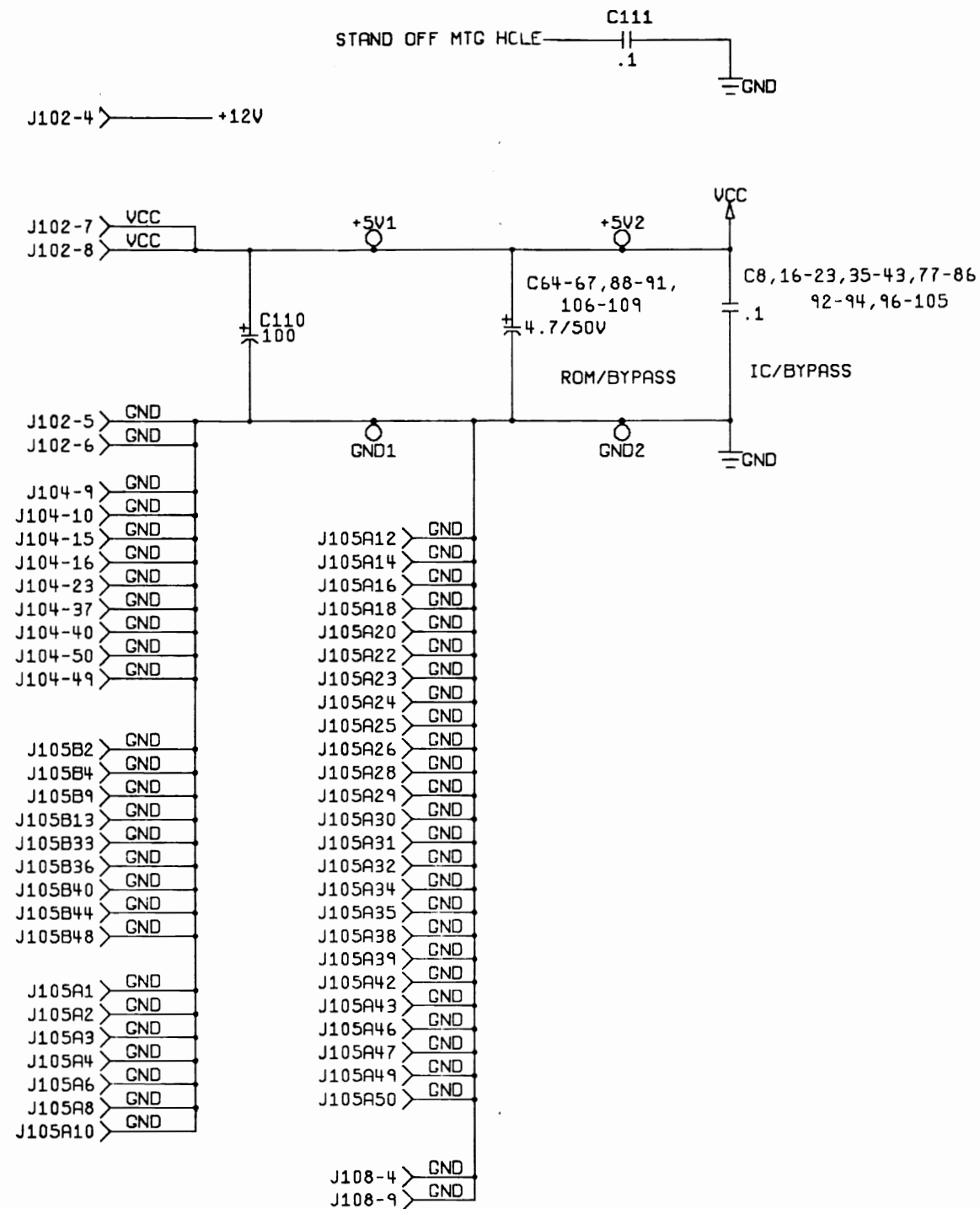


**Road Blasters™ /Cockpit LSI Main
 PCB Schematic Diagram**

© 1987 Atari Games Corporation

SP-299 Sheet 8
 1st printing

0455641



**NOTICE TO ALL PERSONS
RECEIVING THIS DRAWING**

CONFIDENTIAL: Reproduction forbidden without the specific written permission of Atari Games Corporation, Milpitas, CA. This drawing is only conditionally issued, and neither receipt nor possession thereof confers or transfers any right in, or license to use, the subject matter of the drawing or any design or technical information shown thereon, nor any right to reproduce this drawing or any part thereof. Except for manufacture by vendors of Atari Games Corporation, and for manufacture under the corporation's written license, no right is granted to reproduce this drawing or the subject matter thereof, unless by written agreement with or written permission from the corporation.



**Road Blasters™/Cockpit LSI Cartridge 5
PCB Schematic Diagram**

© 1987 Atari Games Corporation

SP-299 Sheet 9
1st printing

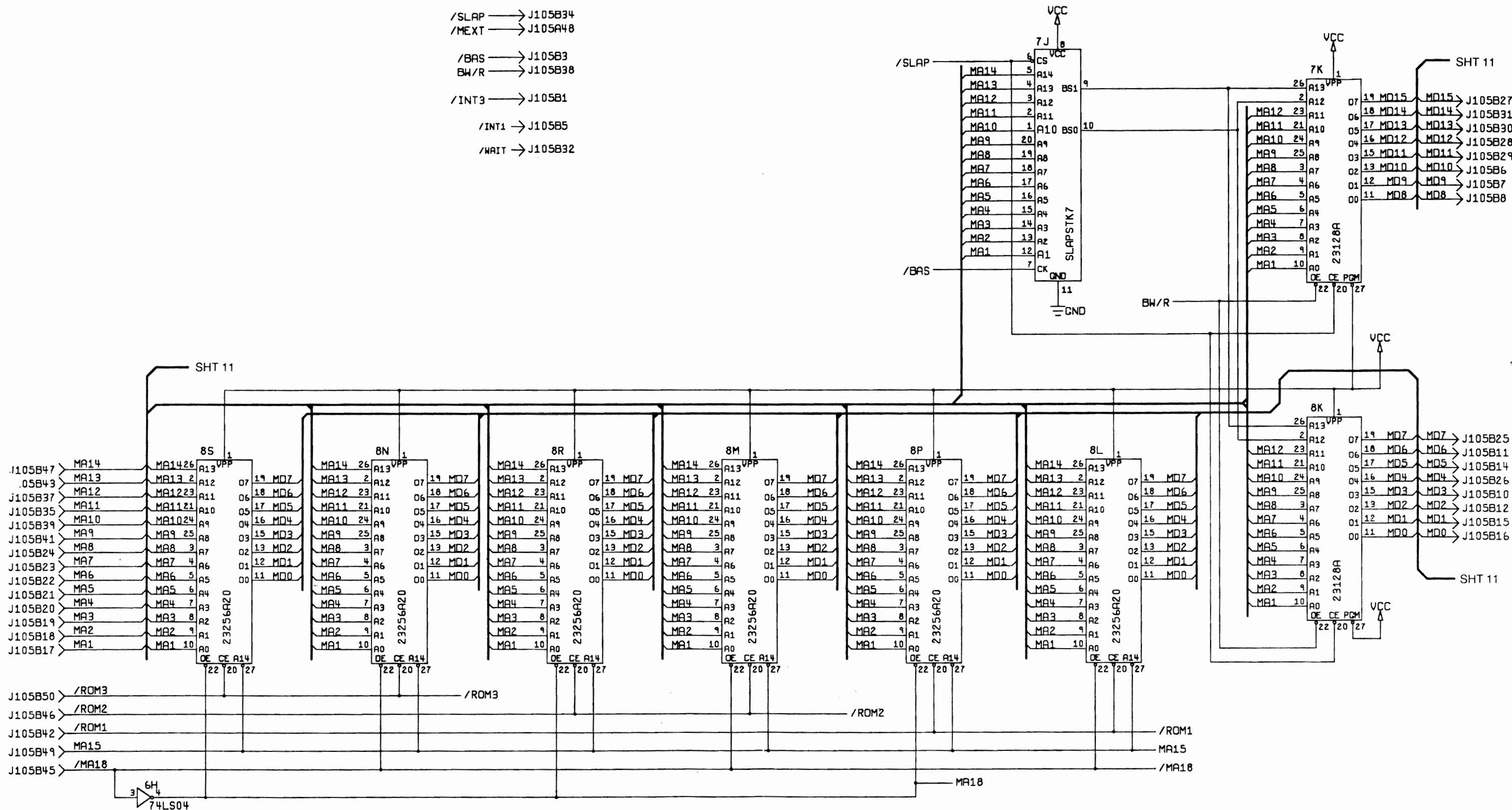
/SLAP → J105B34
 /MEXT → J105A48

 /BAS → J105B3
 BW/R → J105B38

 /INT3 → J105B1

 /INT1 → J105B5

 /WAIT → J105B32



NOTICE TO ALL PERSONS RECEIVING THIS DRAWING

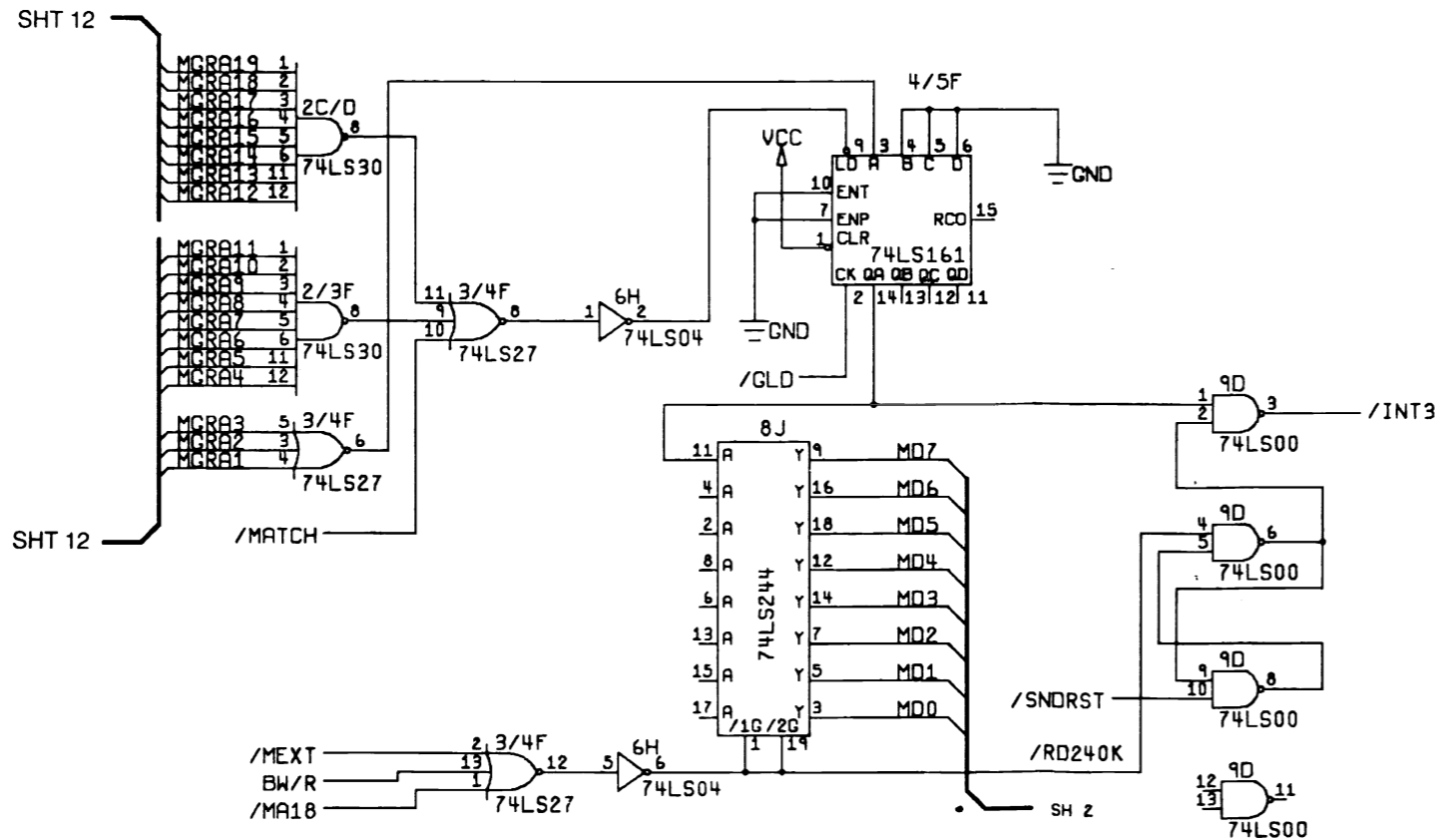
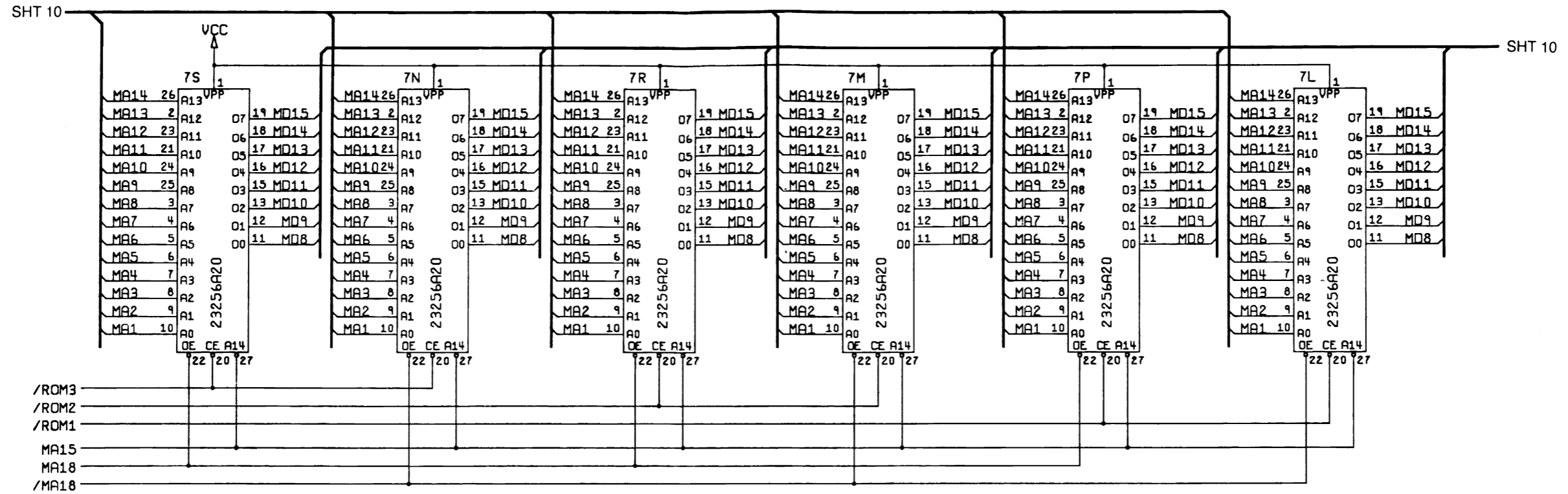
CONFIDENTIAL: Reproduction forbidden without the specific written permission of Atari Games Corporation, Milpitas, CA. This drawing is only conditionally issued, and neither receipt nor possession thereof confers or transfers any right in, or license to use, the subject matter of the drawing or any design or technical information shown thereon, nor any right to reproduce this drawing or any part thereof. Except for manufacture by vendors of Atari Games Corporation, and for manufacture under the corporation's written license, no right is granted to reproduce this drawing or the subject matter thereof, unless by written agreement with or written permission from the corporation.

**Road Blasters™ / Cockpit LSI Cartridge 5
PCB Schematic Diagram**



© 1987 Atari Games Corporation

SP-299 Sheet 10
1st printing



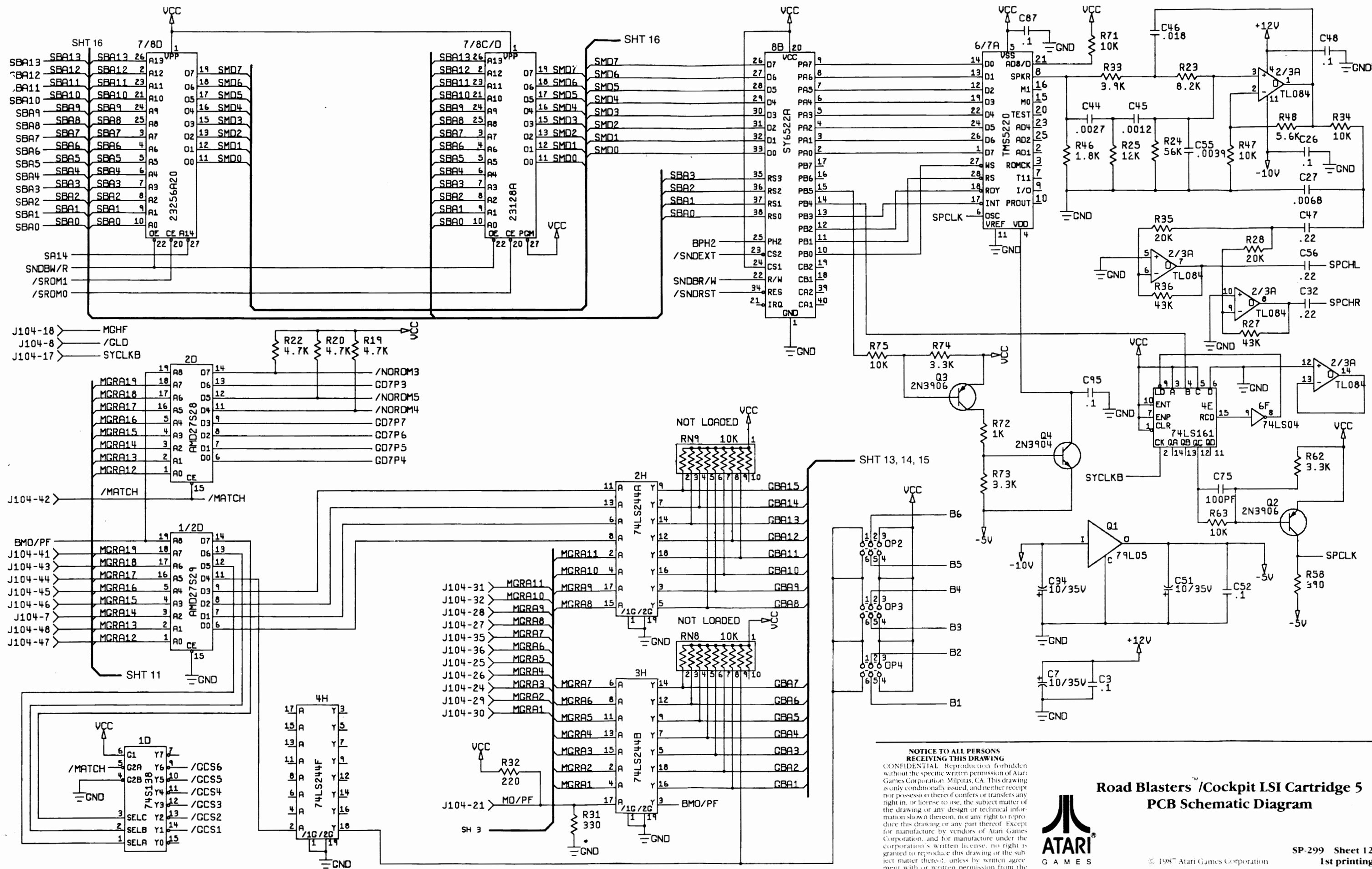
NOTICE TO ALL PERSONS RECEIVING THIS DRAWING
 CONFIDENTIAL. Reproduction forbidden without the specific written permission of Atari Games Corporation, Milpitas, CA. This drawing is only conditionally issued, and neither receipt nor possession thereof confers or transfers any right in, or license to use, the subject matter of the drawing or any design or technical information shown thereon, nor any right to reproduce this drawing or any part thereof. Except for manufacture by vendors of Atari Games Corporation, and for manufacture under the corporation's written license, no right is granted to reproduce this drawing or the subject matter thereof, unless by written agreement with or written permission from the corporation.



**Road Blasters™ /Cockpit LSI Cartridge 5
 PCB Schematic Diagram**

© 1987 Atari Games Corporation

SP-299 Sheet 11
 1st printing



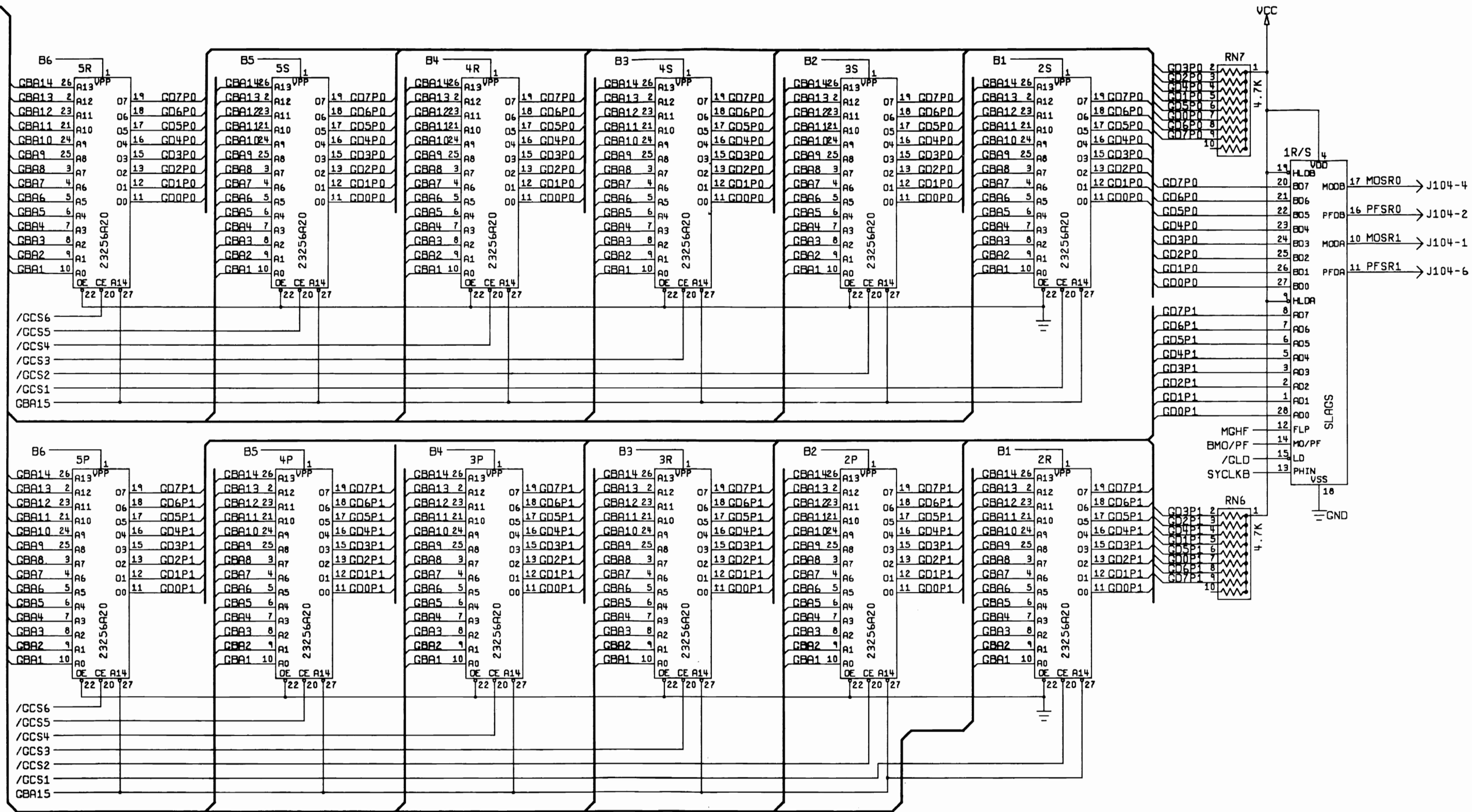
NOTICE TO ALL PERSONS RECEIVING THIS DRAWING
 CONFIDENTIAL - Reproduction forbidden without the specific written permission of Atari Games Corporation, Milpitas, CA. This drawing is only conditionally issued, and neither receipt nor possession thereof confers or transfers any right in, or license to use, the subject matter of the drawing or any design or technical information shown thereon, nor any right to reproduce this drawing or any part thereof. Except for manufacture by vendors of Atari Games Corporation, and for manufacture under the corporation's written license, no right is granted to reproduce this drawing or the subject matter thereof, unless by written agreement with or written permission from the corporation.



**Road Blasters / Cockpit LSI Cartridge 5
 PCB Schematic Diagram**

© 1987 Atari Games Corporation

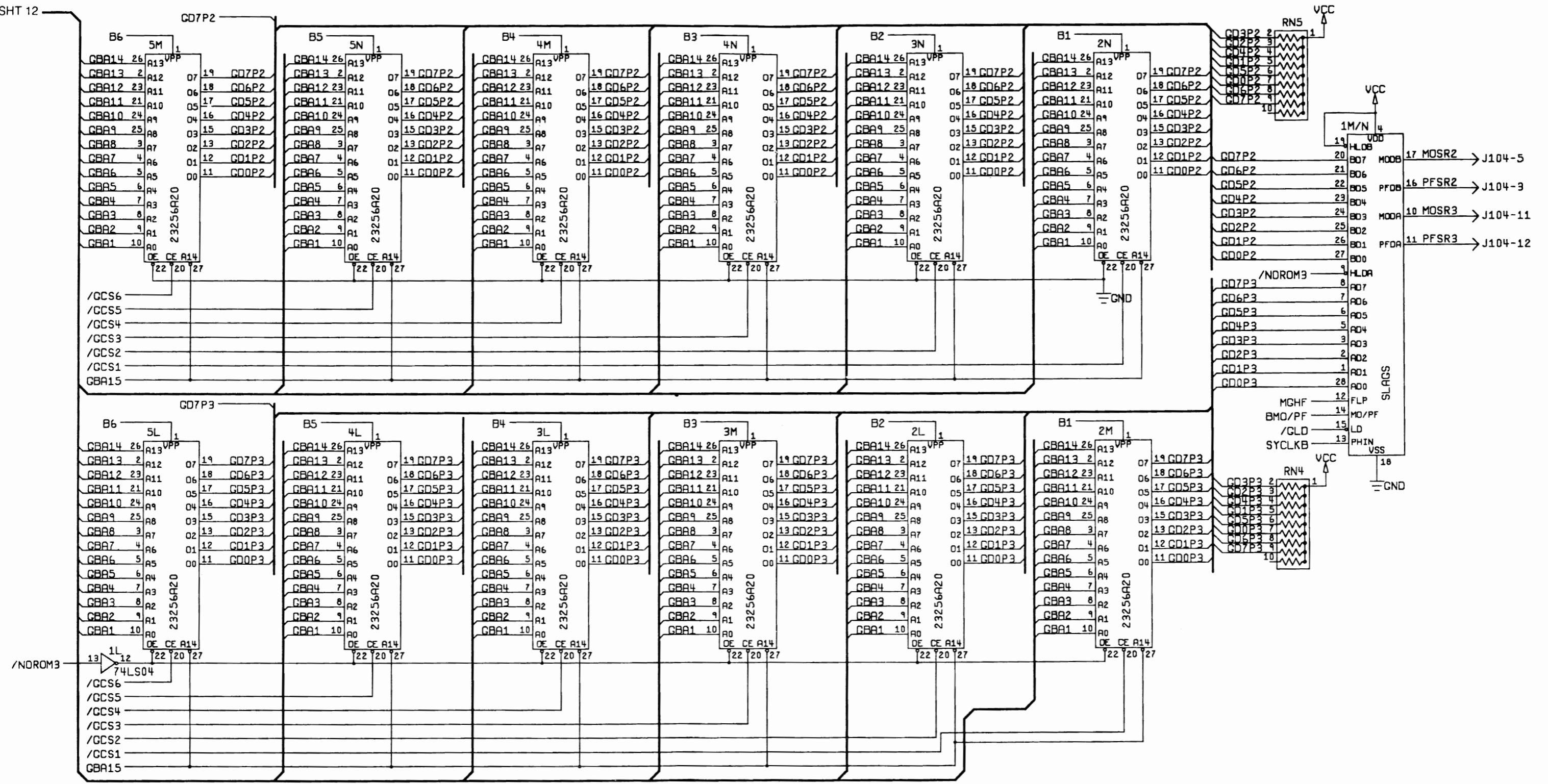
SP-299 Sheet 12
 1st printing



NOTICE TO ALL PERSONS RECEIVING THIS DRAWING
 CONFIDENTIAL: Reproduction forbidden without the specific written permission of Atari Games Corporation, Milpitas, CA. This drawing is only conditionally issued, and neither receipt nor possession thereof confers or transfers any right in, or license to use, the subject matter of the drawing or any design or technical information shown thereon, nor any right to reproduce this drawing or any part thereof. Except for manufacture by vendors of Atari Games Corporation, and for manufacture under the corporation's written license, no right is granted to reproduce this drawing or the subject matter thereof, unless by written agreement with or written permission from the corporation.



**Road Blasters™ / Cockpit LSI Cartridge 5
 PCB Schematic Diagram**

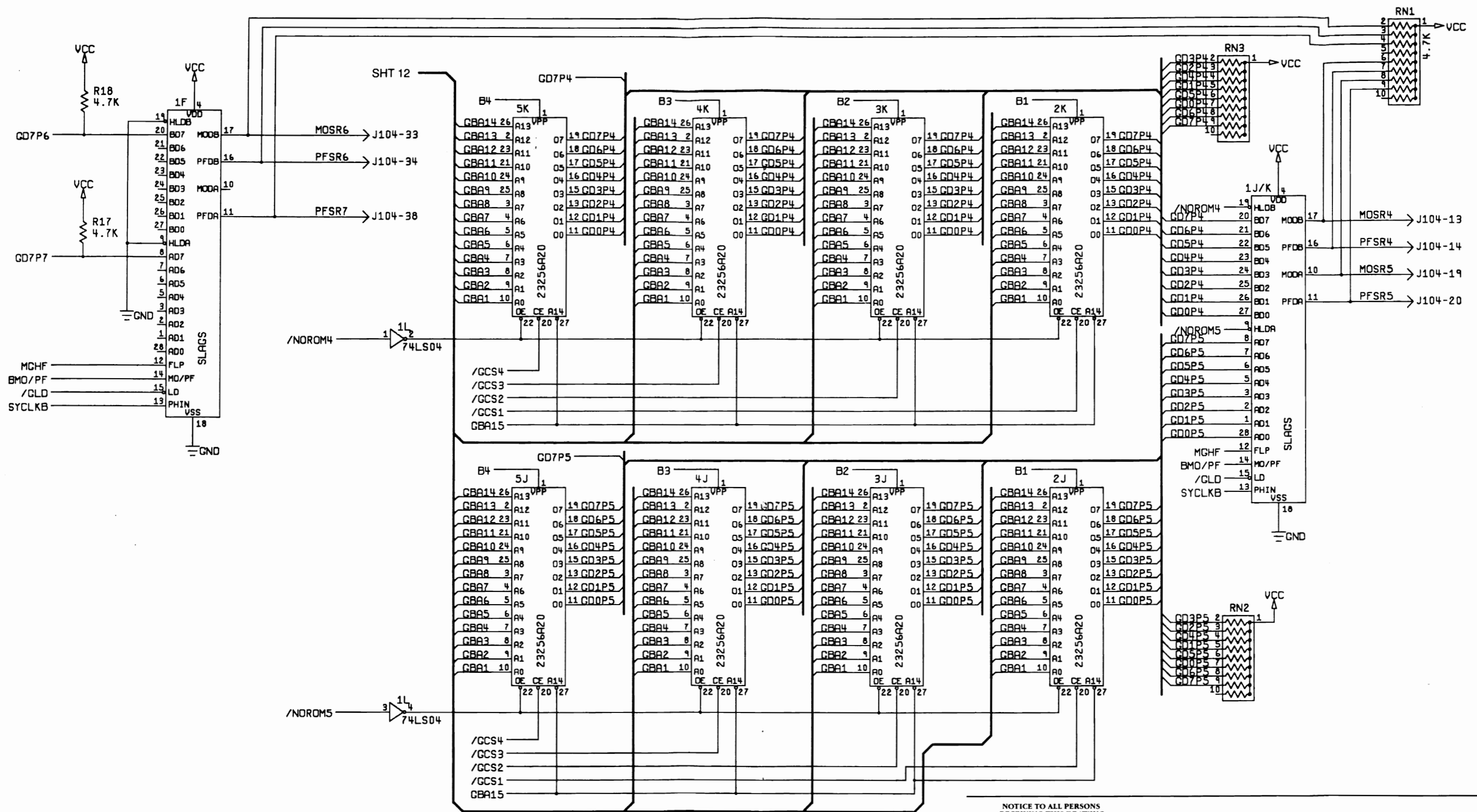


NOTICE TO ALL PERSONS RECEIVING THIS DRAWING
 CONFIDENTIAL. Reproduction forbidden without the specific written permission of Atari Games Corporation, Milpitas, CA. This drawing is only conditionally issued, and neither receipt nor possession thereof confers or transfers any right in, or license to use, the subject matter of the drawing or any design or technical information shown thereon, nor any right to reproduce this drawing or any part thereof. Except for manufacture by vendors of Atari Games Corporation, and for manufacture under the corporation's written license, no right is granted to reproduce this drawing or the subject matter thereof, unless by written agreement with or written permission from the corporation.



**Road Blasters™/Cockpit LSI Cartridge 5
 PCB Schematic Diagram**

© 1987 Atari Games Corporation



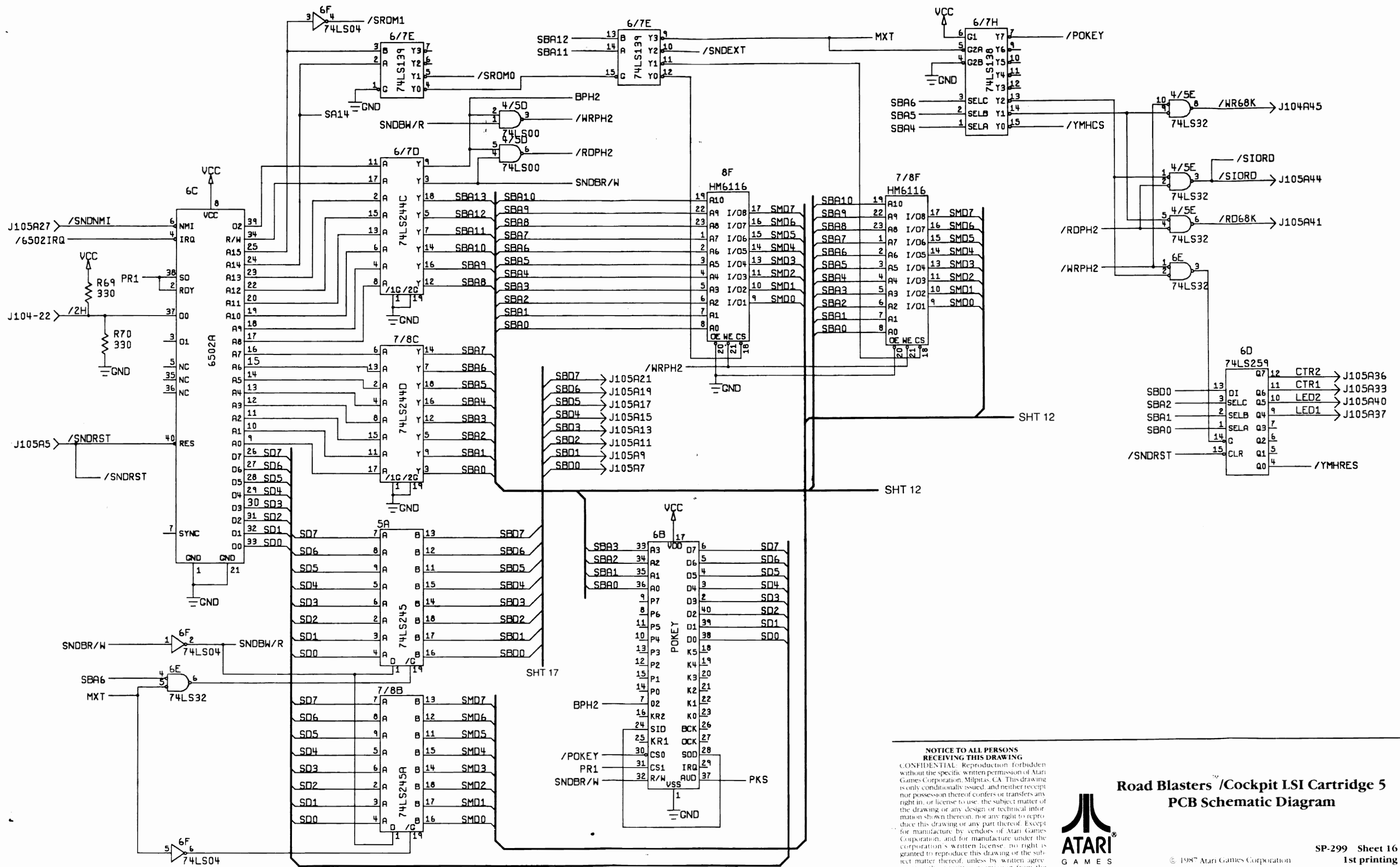
NOTICE TO ALL PERSONS RECEIVING THIS DRAWING
 CONFIDENTIAL. Reproduction forbidden without the specific written permission of Atari Games Corporation, Milpitas, CA. This drawing is only conditionally issued, and neither receipt nor possession thereof confers or transfers any right in, or license to use, the subject matter of the drawing or any design or technical information shown thereon, nor any right to reproduce this drawing or any part thereof. Except for manufacture by vendors of Atari Games Corporation, and for manufacture under the corporation's written license, no right is granted to reproduce this drawing or the subject matter thereof, unless by written agreement with or written permission from the corporation.

Road Blasters™ /Cockpit LSI Cartridge 5
PCB Schematic Diagram

ATARI
 GAMES

© 1987 Atari Games Corporation

SP-299 Sheet 15
 1st printing



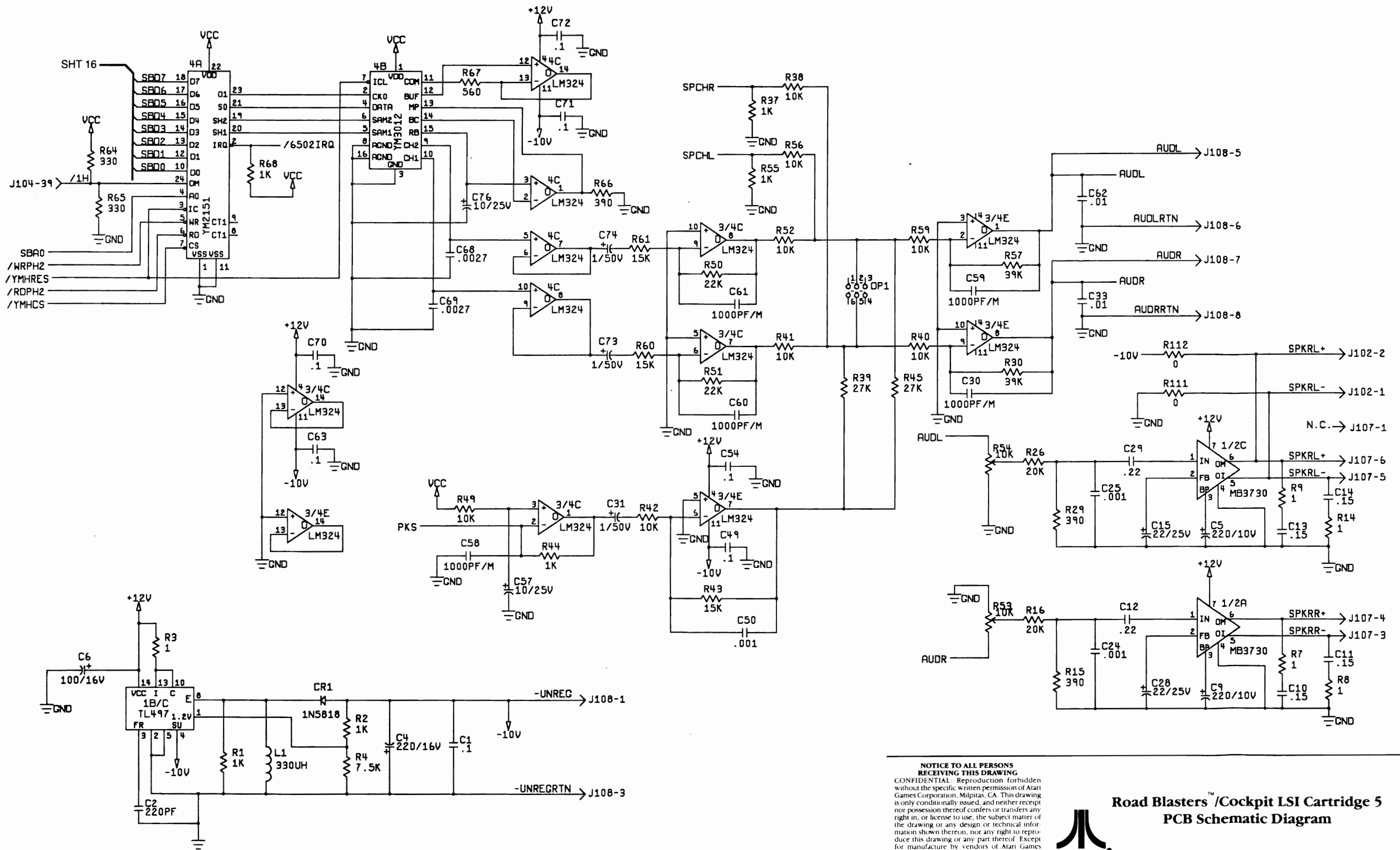
NOTICE TO ALL PERSONS RECEIVING THIS DRAWING
 CONFIDENTIAL: Reproduction forbidden without the specific written permission of Atari Games Corporation, Milpitas, CA. This drawing is only conditionally issued, and neither receipt nor possession thereof confers or transfers any right in, or license to use, the subject matter of the drawing or any design or technical information shown thereon, nor any right to reproduce this drawing or any part thereof. Except for manufacture by vendors of Atari Games Corporation, and for manufacture under the corporation's written license, no right is granted to reproduce this drawing or the subject matter thereof, unless by written agreement with or written permission from the corporation.



**Road Blasters™ / Cockpit LSI Cartridge 5
 PCB Schematic Diagram**

© 1987 Atari Games Corporation

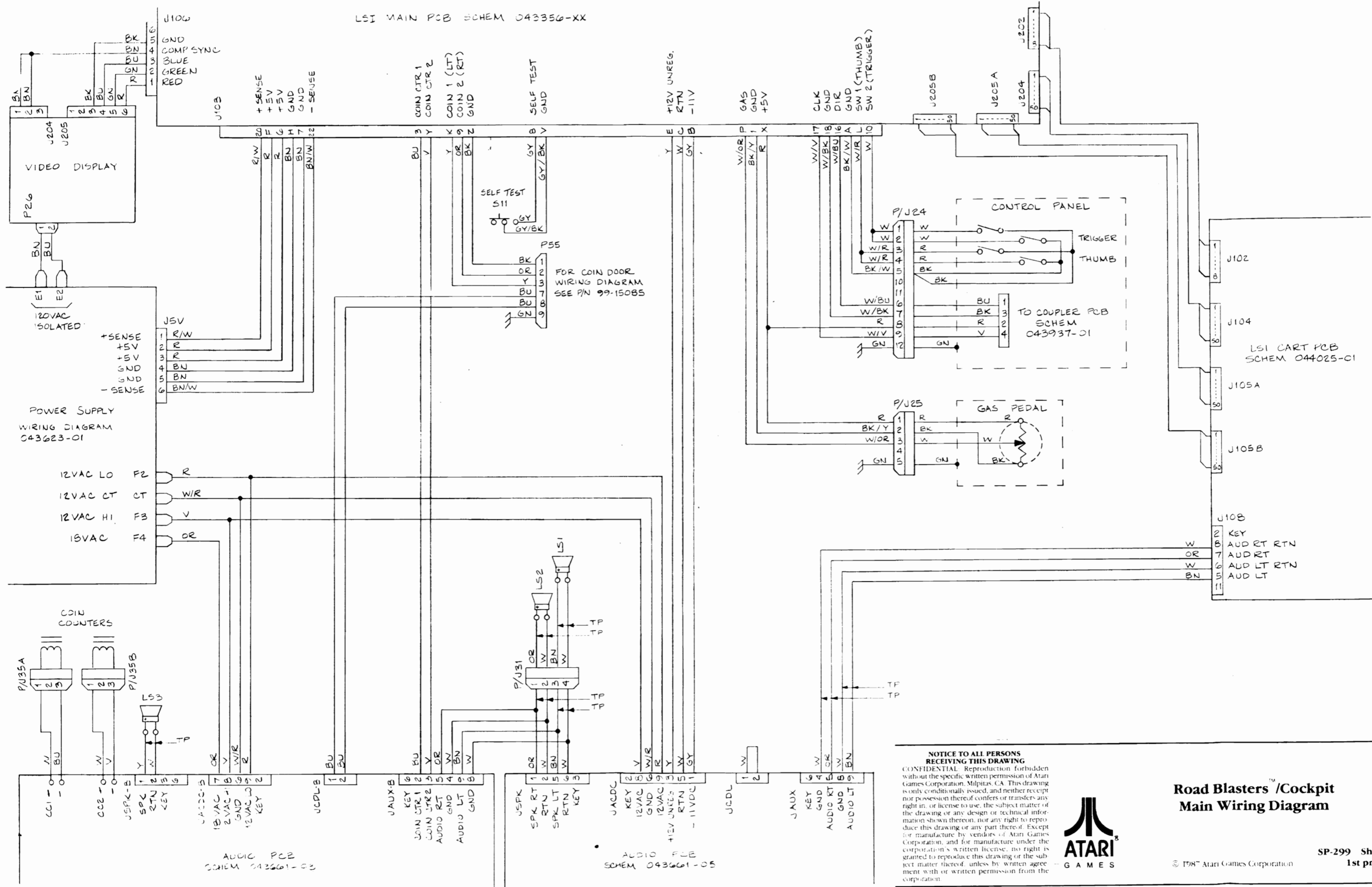
SP-299 Sheet 16
 1st printing



NOTICE TO ALL PERSONS RECEIVING THIS DRAWING
 CONFIDENTIAL: Reproduction forbidden without the specific written permission of Atari Games Corporation, Milpitas, CA. This drawing is only conditionally issued, and neither receipt nor possession thereof confers or transfers any right in, or license to use, the subject matter of the drawing or any design or technical information shown thereon, nor any right to reproduce this drawing or any part thereof. Except for manufacture by vendors of Atari Games Corporation, and for manufacture under the corporation's written license, no right is granted to reproduce this drawing or the subject matter thereof, unless by written agreement with or written permission from the corporation.



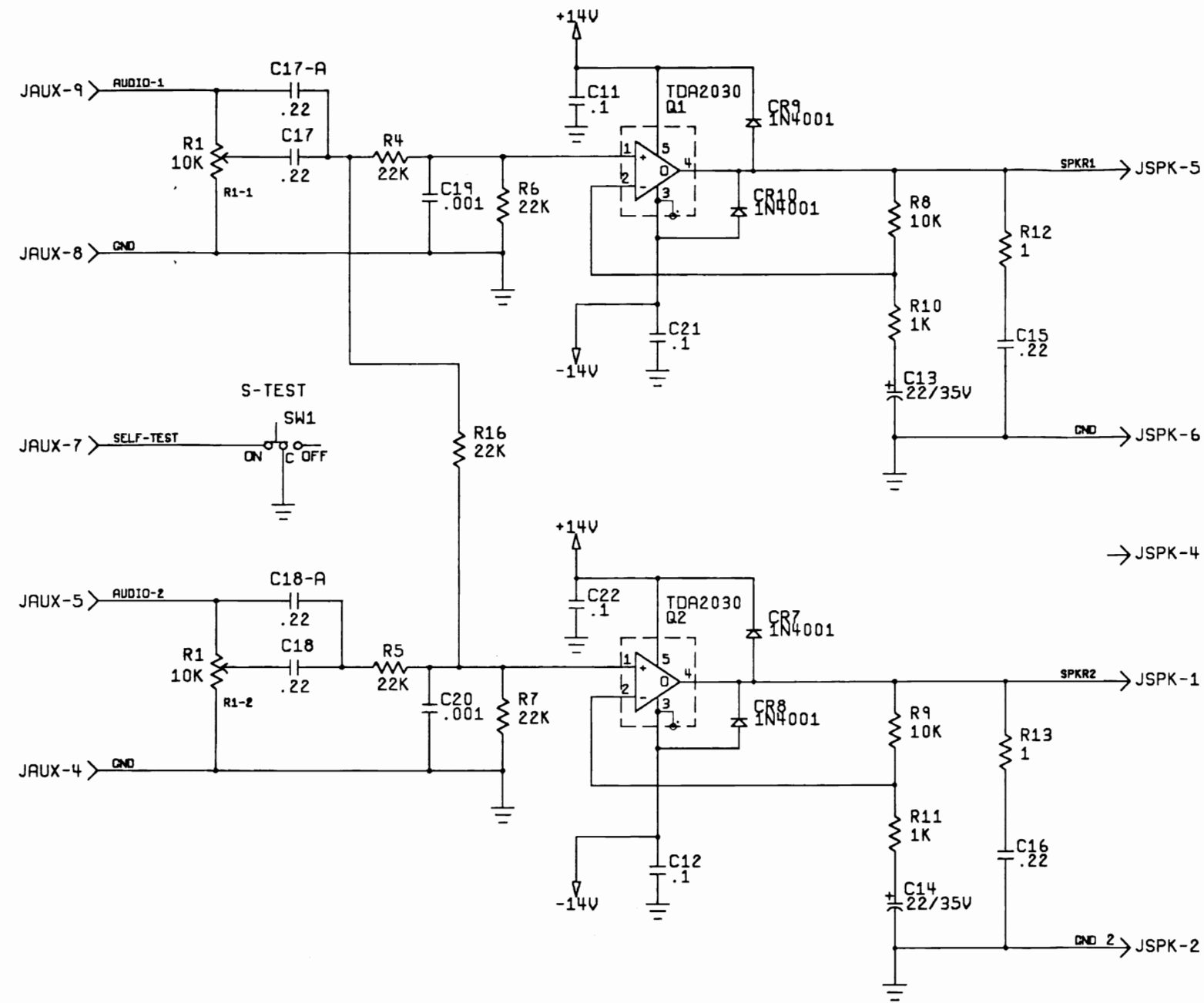
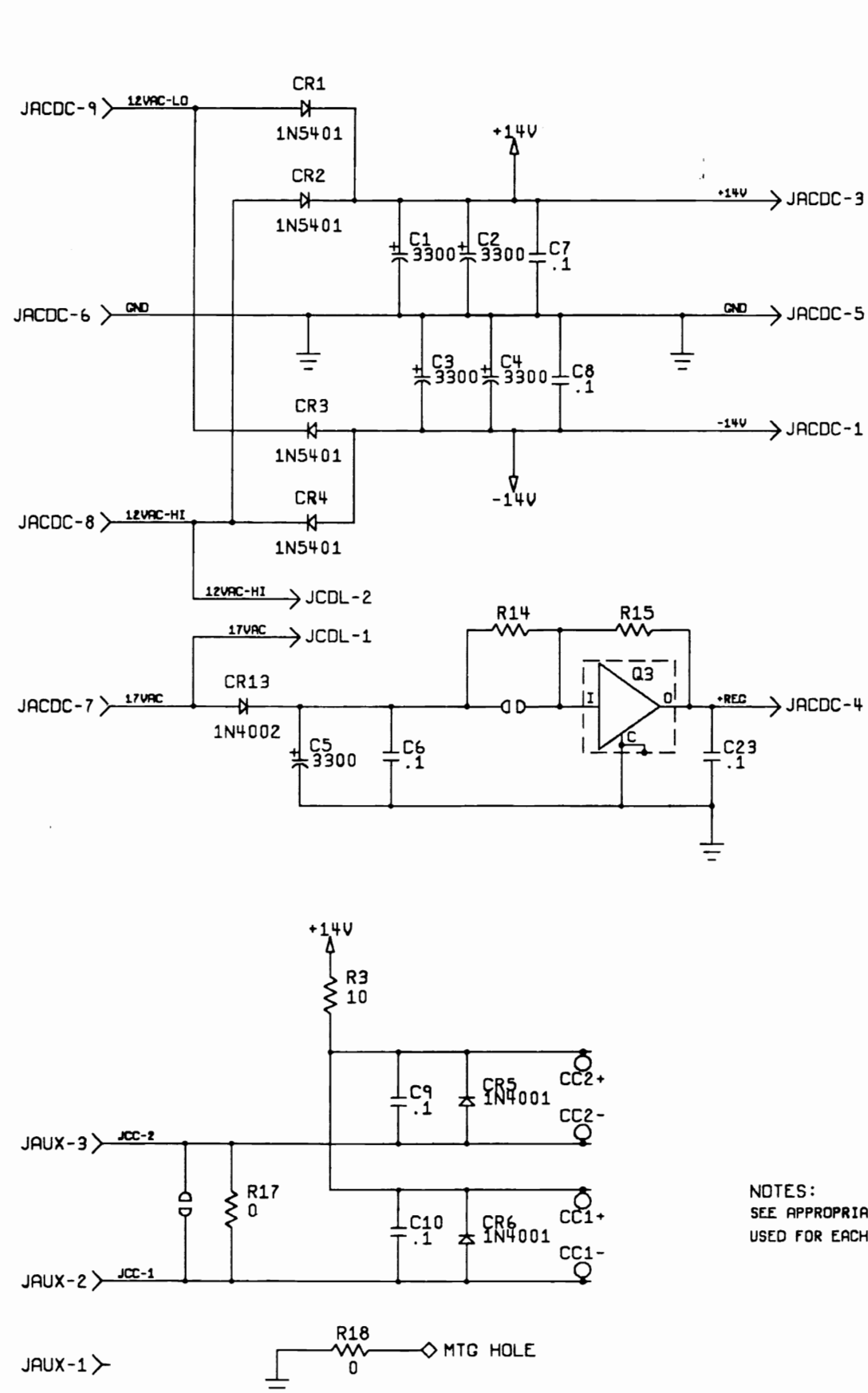
**Road Blasters™/Cockpit LSI Cartridge 5
 PCB Schematic Diagram**



NOTICE TO ALL PERSONS RECEIVING THIS DRAWING
 CONFIDENTIAL: Reproduction forbidden without the specific written permission of Atari Games Corporation, Milpitas, CA. This drawing is only conditionally issued, and neither receipt nor possession thereof confers or transfers any right in, or license to use, the subject matter of the drawing or any design or technical information shown thereon, nor any right to reproduce this drawing or any part thereof. Except for manufacture by vendors of Atari Games Corporation, and for manufacture under the corporation's written license, no right is granted to reproduce this drawing or the subject matter thereof, unless by written agreement with or written permission from the corporation.



**Road Blasters™ /Cockpit
 Main Wiring Diagram**



NOTES:
SEE APPROPRIATE PARTS LIST FOR CORRECT COMPONENTS
USED FOR EACH DASH VERSION.

NOTICE TO ALL PERSONS RECEIVING THIS DRAWING
CONFIDENTIAL. Reproduction forbidden without the specific written permission of Atari Games Corporation, Milpitas, CA. This drawing is only conditionally issued, and neither receipt nor possession thereof confers or transfers any right in, or license to use, the subject matter of the drawing or any design or technical information shown thereon, nor any right to reproduce this drawing or any part thereof. Except for manufacture by vendors of Atari Games Corporation, and for manufacture under the corporation's written license, no right is granted to reproduce this drawing or the subject matter thereof, unless by written agreement with or written permission from the corporation.

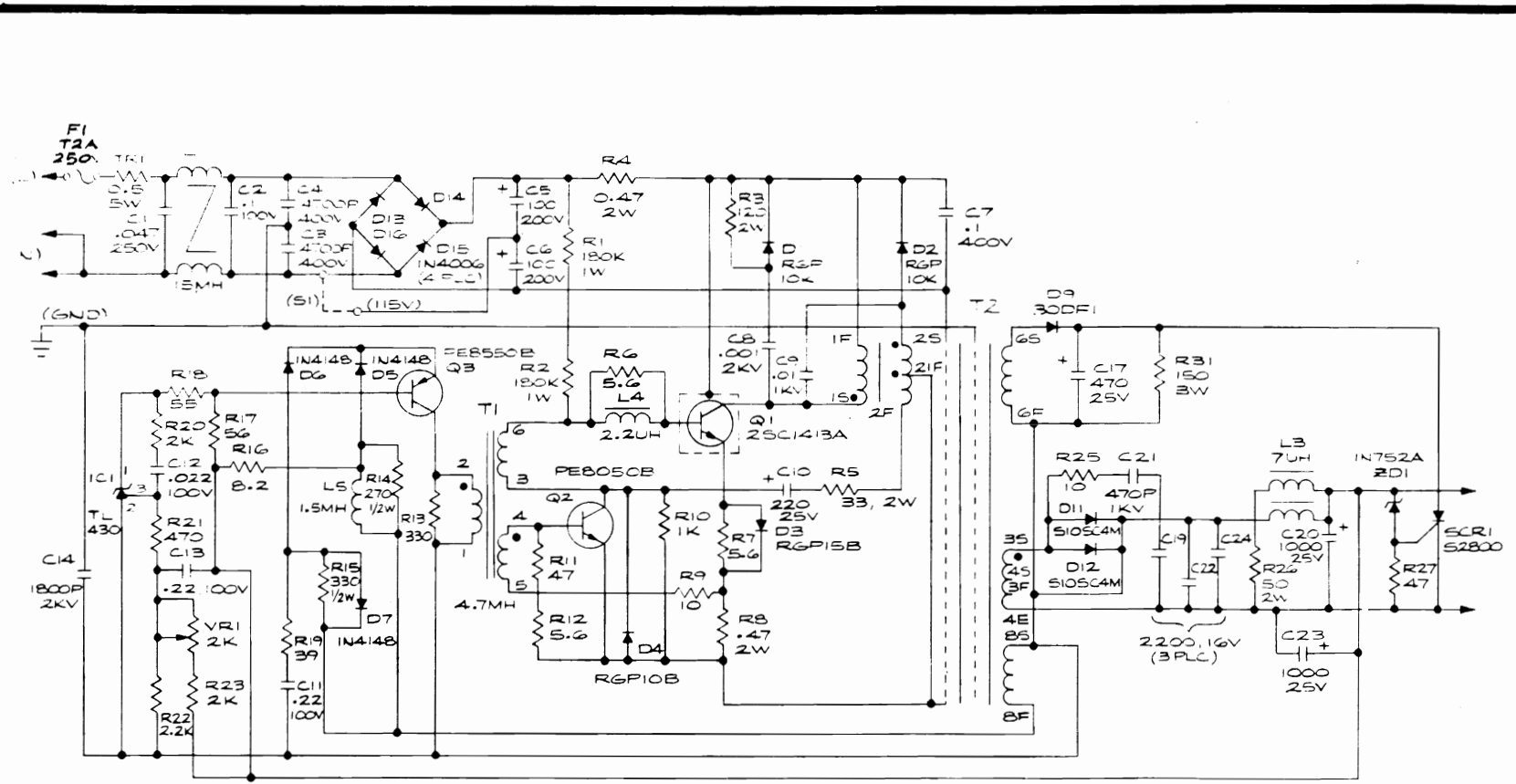
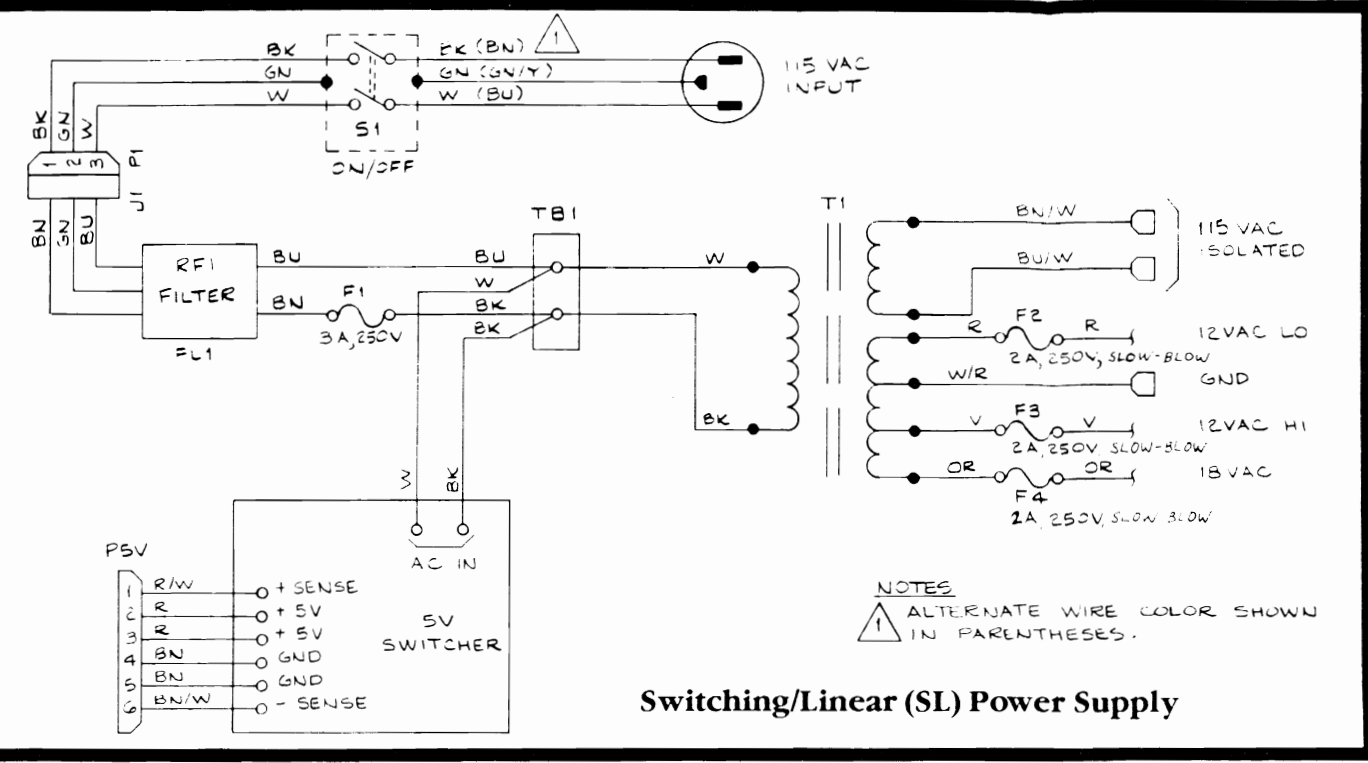
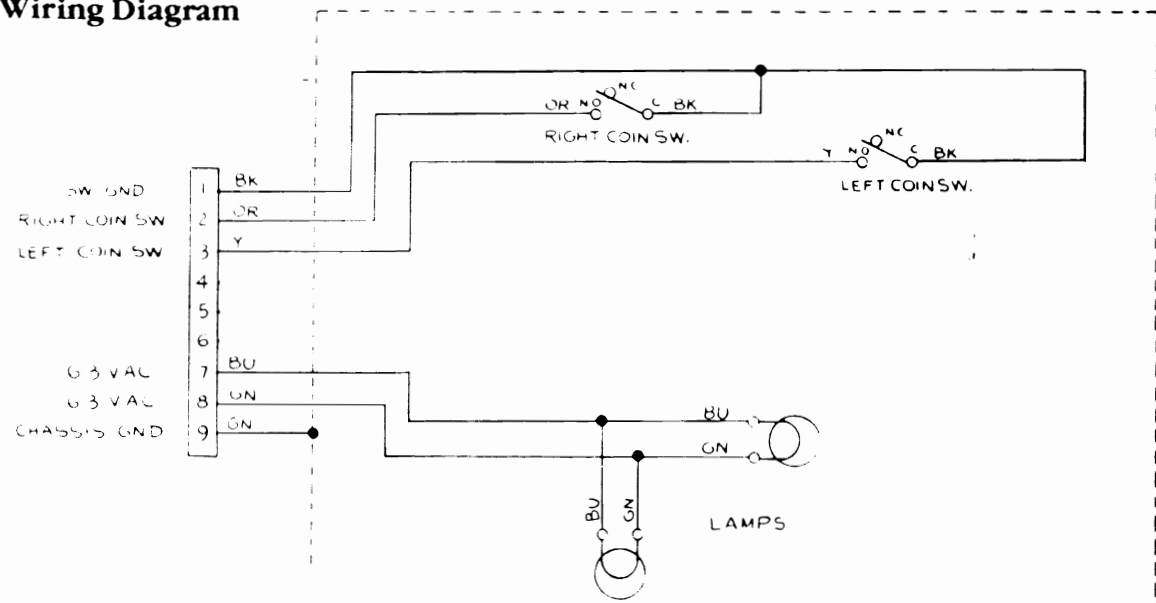


**Road Blasters™ Audio II
PCB Schematic Diagram**

© 1987 Atari Games Corporation

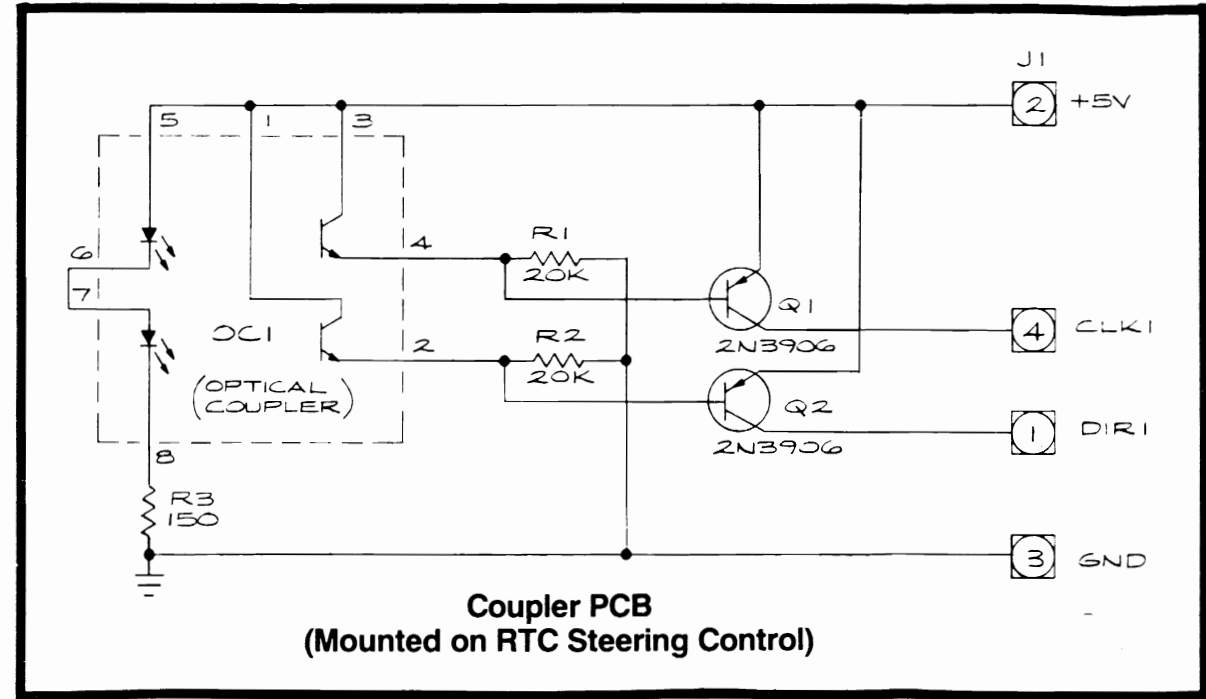
SP-299 Sheet 19
1st printing

Coin Door Wiring Diagram



Hitron 5V, 10A Switching Power Supply

ATARI PART NO. 149003-003 (120V)
149003-103 (240V)



NOTICE TO ALL PERSONS RECEIVING THIS DRAWING
CONFIDENTIAL. Reproduction forbidden without the specific written permission of Atari Games Corporation, Milpitas, CA. This drawing is only conditionally issued, and neither receipt nor possession thereof confers or transfers any right in, or license to use, the subject matter of the drawing or any design or technical information shown thereon, nor any right to reproduce this drawing or any part thereof. Except for manufacture by vendors of Atari Games Corporation, and for manufacture under the corporation's written license, no right is granted to reproduce this drawing or the subject matter thereof, unless by written agreement with or written permission from the corporation.



Wiring Diagrams for SL Power Supply, Coin Door, 5V, 10A Power Supply, and Coupler PCB

I/O and Sound Microprocessor Memory Map

FUNCTION	HEXA-DECIMAL ADDRESS	ADDRESS BUS SIGNAL LINES																READ/ WRITE	DATA BUS SIGNAL LINES							
		A15	A14	A13	A12	A11	A10	A9	A8	A7	A6	A5	A4	A3	A2	A1	A0		D7	D6	D5	D4	D3	D2	D1	D0
Program RAM	0000-0FFF	0	0	0	0	A	A	A	A	A	A	A	A	A	A	A	R/W	D	D	D	D	D	D	D	D	
Cartridge External	1000-1FFF	0	0	0	1	A	A	A	A	A	A	A	A	A	A	A	R/W	D	D	D	D	D	D	D	D	
Music	1800-1801	0	0	0	1	1	0	0	0	0	0	0	0	0	0	A	R/W	D	D	D	D	D	D	D	D	
Read 68000 Port	1810	0	0	0	1	1	0	0	0	0	0	1	0	0	0	0	R	D	D	D	D	D	D	D	D	
Write 68000 Port	1810	0	0	0	1	1	0	0	0	0	0	1	0	0	0	0	W	D	D	D	D	D	D	D	D	
Self-Test	1820	0	0	0	1	1	0	0	0	0	0	1	0	0	0	0	R	D								
Buffer Output Full (@ 1810)		0	0	0	1	1	0	0	0	0	0	1	0	0	0	0	R				D					
Data Available (@ 1810)		0	0	0	1	1	0	0	0	0	0	1	0	0	0	0	R					D				
Auxiliary Coin Switch		0	0	0	1	1	0	0	0	0	0	1	0	0	0	0	R						D			
Left Coin Switch		0	0	0	1	1	0	0	0	0	0	1	0	0	0	0	R							D		
Right Coin Switch		0	0	0	1	1	0	0	0	0	0	1	0	0	0	0	R								D	
Music Reset	1820	0	0	0	1	1	0	0	0	0	1	0	0	0	0	0	W								D	
Light-Emitting Diode	1824	0	0	0	1	1	0	0	0	0	1	0	0	1	0	0	W								D	
Light-Emitting Diode	1825	0	0	0	1	1	0	0	0	0	1	0	0	1	0	1	W								D	
Right Coin Counter	1826	0	0	0	1	1	0	0	0	0	1	0	0	1	1	0	W								D	
Left Coin Counter	1827	0	0	0	1	1	0	0	0	0	1	0	0	1	1	1	W								D	
Sound Effects	1870-187F	0	0	0	1	1	0	0	0	0	1	1	1	A	A	A	R/W	D	D	D	D	D	D	D	D	
Program ROM	4000-FFFF	A	A	A	A	A	A	A	A	A	A	A	A	A	A	A	R	D	D	D	D	D	D	D	D	

NOTICE TO ALL PERSONS RECEIVING THIS DRAWING
 CONFIDENTIAL. Reproduction forbidden without the specific written permission of Atari Games Corporation, Milpitas, CA. This drawing is only conditionally issued, and neither receipt nor possession thereof confers or transfers any right in, or license to use, the subject matter of the drawing or any design or technical information shown thereon, nor any right to reproduce this drawing or any part thereof. Except for manufacture by vendors of Atari Games Corporation, and for manufacture under the corporation's written license, no right is granted to reproduce this drawing or the subject matter thereof, unless by written agreement with or written permission from the corporation.



Road Blasters™ I/O and Sound Microprocessor Memory Map

© 1987 Atari Games Corporation