

## Table of Contents

Road Blasters™/System I LSI Main PCB Schematic Diagrams .....	Sheets 1-10
Road Blasters/System I LSI Cartridge 4 PCB Schematic Diagrams* .....	Sheet 11-17
Road Blasters/System I Main Wiring Diagram .....	Sheet 18
Road Blasters Audio II PCB Schematic Diagram .....	Sheet 19
Wiring Diagrams for SL Power Supply, Coin Door, Pihong 5V 10A Power Supply, and Coupler PCB .....	Sheet 20
Wiring Diagram for Foot Pedal, RTC Steering Control and Fluorescent Light .....	Sheet 21
Road Blasters Video Microprocessor Memory Map .....	Sheet 22
Road Blasters I/O and Sound Microprocessor Memory Map .....	Sheet 23

\*If your game or kit has a *Cartridge 3* PCB Assembly, you can get a free copy of the schematic diagrams for that board from Atari Games Customer Service. Contact:

### United States

Atari Games Corporation  
California Customer Service Office  
737 Sycamore Drive  
P.O. Box 361110  
Milpitas, CA 95035  
**Fax (408) 434-3945**  
**Telex 5101007850**  
(Monday-Friday, 7:30-4:00 pm Pacific Time)  
☎ (408) 434-3950

### Europe

Atari Games Ireland Limited  
European Customer Service Office  
Tipperary Town, Ireland  
**Fax 062-51702**  
**Telex 28165**  
(Monday-Friday, 9:00-5:30 pm GMT)  
☎ 062-52155

## Road Blasters™ Schematic Package

Supplement to the Operators Manual

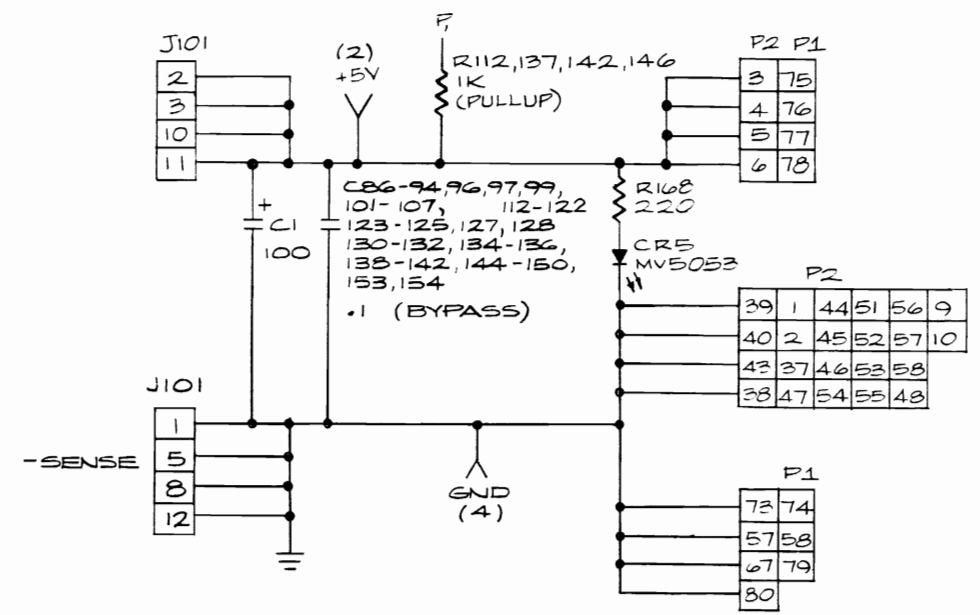
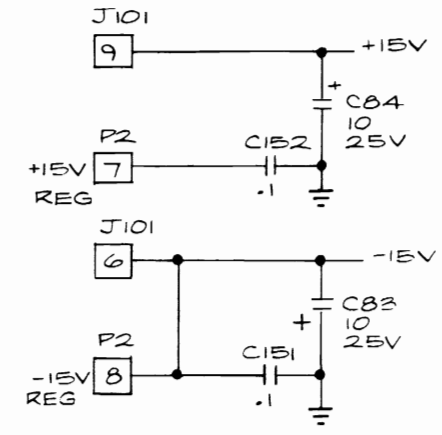
For System I Game



**NOTE**  
This staple temporarily holds the schematic package together. Remove the staple before using these schematics.



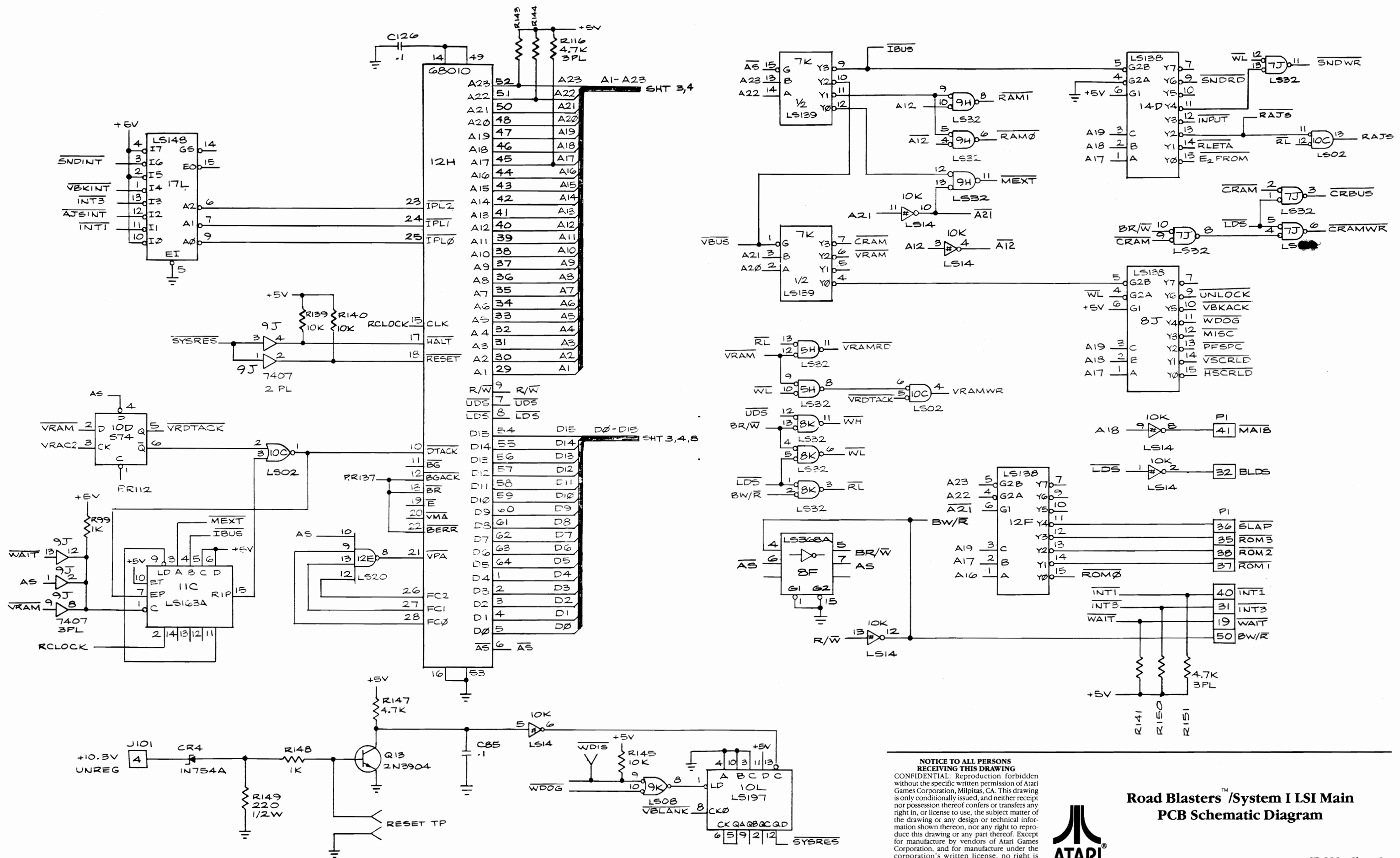
IC CHART				
TYPE	VOLTAGE PIN NO.			UNUSED GATES
	GND	+5V	-5V	
74LS00	7	14		
74LS02	7	14		
74LS02	7	14		
74LS04	7	14		
7407	7	14		
74LS08	7	14		
74S08	7	14		
74LS14	7	14		
74LS20	7	14		
74LS30	7	14		
74LS32	7	14		
74LS74	7	14		
74S74	7	14		
74LS86	7	14		
74LS125	7	14		
74LS138	8	16		
74LS139	8	16		
74LS148	8	16		
74LS151	8	16		
74S151	8	16		
74LS153	8	16		
74S163	8	16		
74LS163A	8	16		
74LS174	8	16		
74S174	8	16		
74S175	8	16		
74S189	8	16		
74LS191	8	16		
74LS194	8	16		
74LS197	7	14		
74S240	10	20		
74LS244	10	20		
74LS245	10	20		
74S257	8	16		
74LS259	8	16		
74S260	7	14		
74LS273	10	20		
74S273	10	20		
74LS283	8	16		
74LS367A	8	16		
74LS368A	8	16		
74LS373	10	20		
74LS374	10	20		
74S374	10	20		
74LS378	8	16		
LM324	11	6	4	
2149-3	9	18		
2149-2	9	18		
YM3012				
82S129	8	16		
82S153				
IMS1420	10	20		
6502A	1	21		
68010				
2764				
6116	12	24		
23128				
LETA				
ADC0809				
2804				
QUAD BKKEY				
Y2151				



**NOTICE TO ALL PERSONS RECEIVING THIS DRAWING**  
 CONFIDENTIAL: Reproduction forbidden without the specific written permission of Atari Games Corporation, Milpitas, CA. This drawing is only conditionally issued, and neither receipt nor possession thereof confers or transfers any right in, or license to use, the subject matter of the drawing or any design or technical information shown thereon, nor any right to reproduce this drawing or any part thereof. Except for manufacture by vendors of Atari Games Corporation, and for manufacture under the corporation's written license, no right is granted to reproduce this drawing or the subject matter thereof, unless by written agreement with or written permission from the corporation.



**Road Blasters™ /System I LSI Main PCB Schematic Diagram**



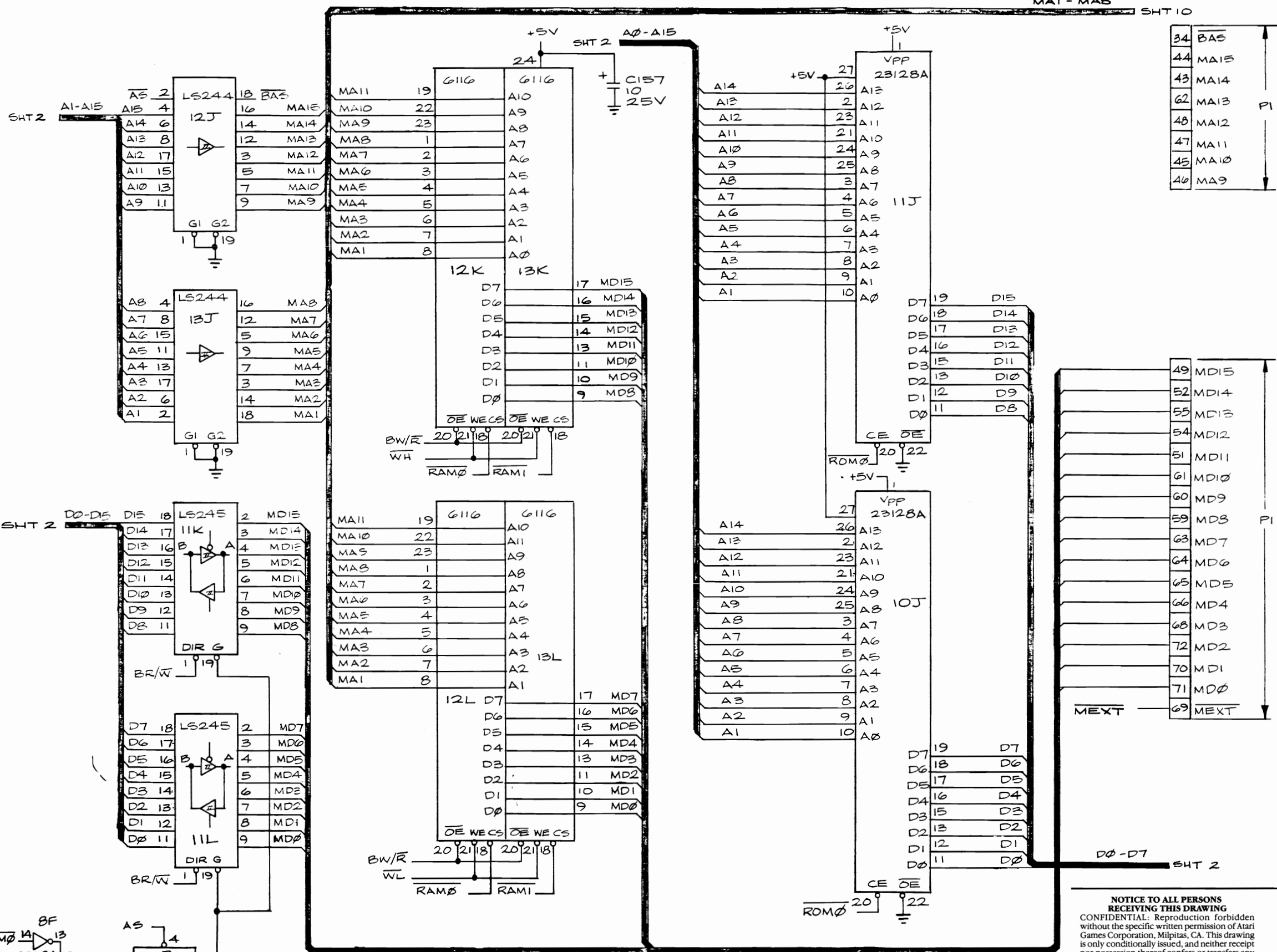
**NOTICE TO ALL PERSONS RECEIVING THIS DRAWING**  
 CONFIDENTIAL: Reproduction forbidden without the specific written permission of Atari Games Corporation, Milpitas, CA. This drawing is only conditionally issued, and neither receipt nor possession thereof confers or transfers any right in, or license to use, the subject matter of the drawing or any design or technical information shown thereon, nor any right to reproduce this drawing or any part thereof. Except for manufacture by vendors of Atari Games Corporation, and for manufacture under the corporation's written license, no right is granted to reproduce this drawing or the subject matter thereof, unless by written agreement with or written permission from the corporation.



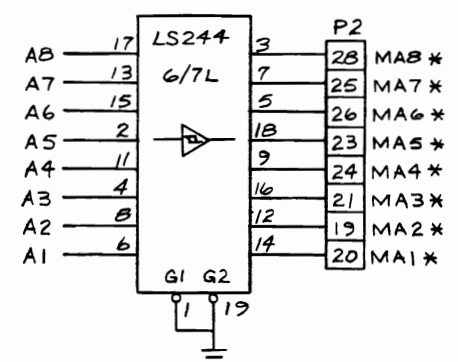
**Road Blasters™ /System I LSI Main PCB Schematic Diagram**

© 1987 Atari Games Corporation

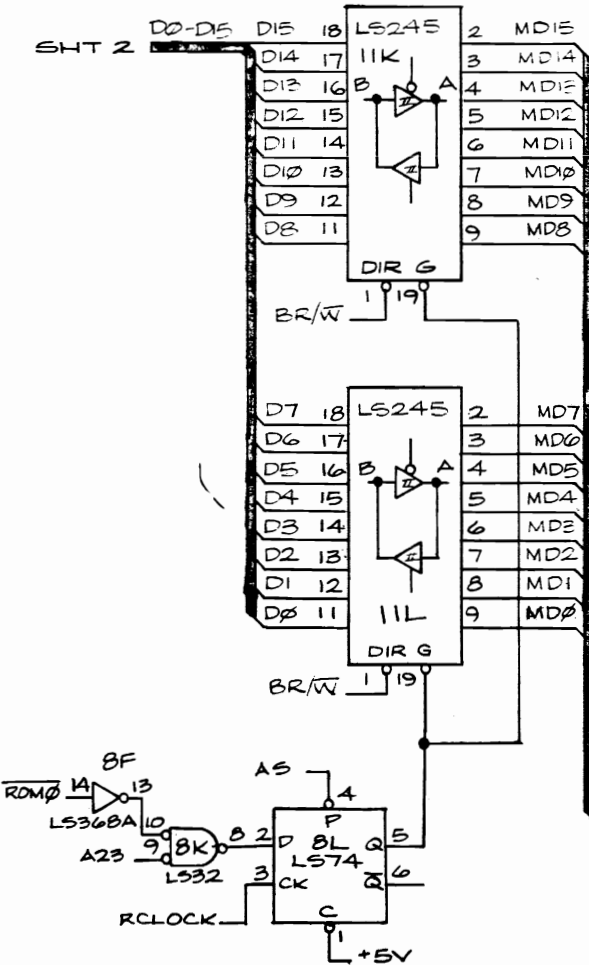
SP-298 Sheet 2  
1st printing



34	BAS
44	MA15
43	MA14
62	MA13
48	MA12
47	MA11
45	MA10
46	MA9



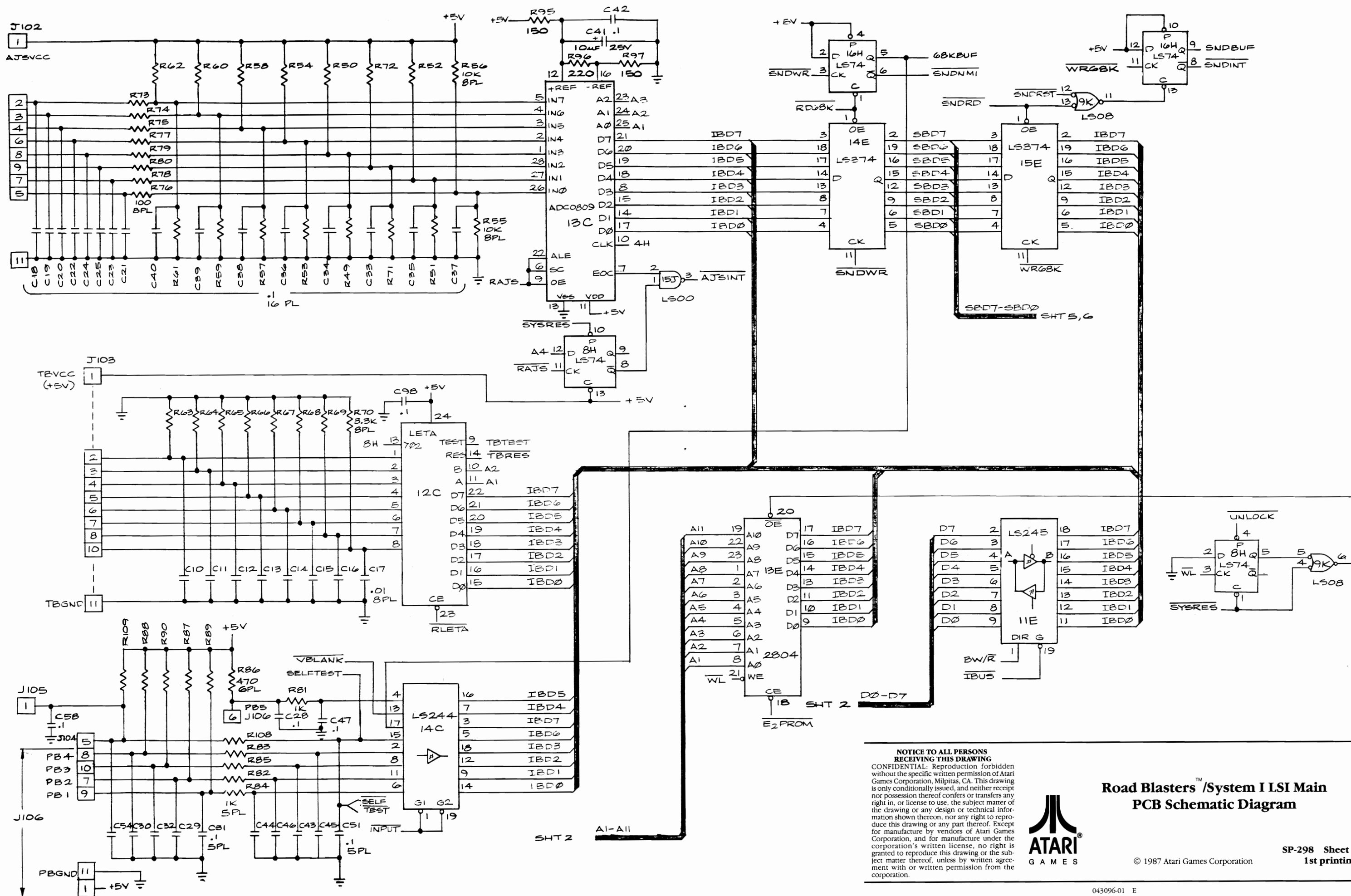
49	MD15
52	MD14
55	MD13
54	MD12
51	MD11
61	MD10
60	MD9
59	MD8
63	MD7
64	MD6
65	MD5
66	MD4
68	MD3
72	MD2
70	MD1
71	MD0
69	MEXT



**NOTICE TO ALL PERSONS RECEIVING THIS DRAWING**  
 CONFIDENTIAL: Reproduction forbidden without the specific written permission of Atari Games Corporation, Milpitas, CA. This drawing is only conditionally issued, and neither receipt nor possession thereof confers or transfers any right in, or license to use, the subject matter of the drawing or any design or technical information shown thereon, nor any right to reproduce this drawing or any part thereof. Except for manufacture by vendors of Atari Games Corporation, and for manufacture under the corporation's written license, no right is granted to reproduce this drawing or the subject matter thereof, unless by written agreement with or written permission from the corporation.



**Road Blasters™ /System I LSI Main PCB Schematic Diagram**



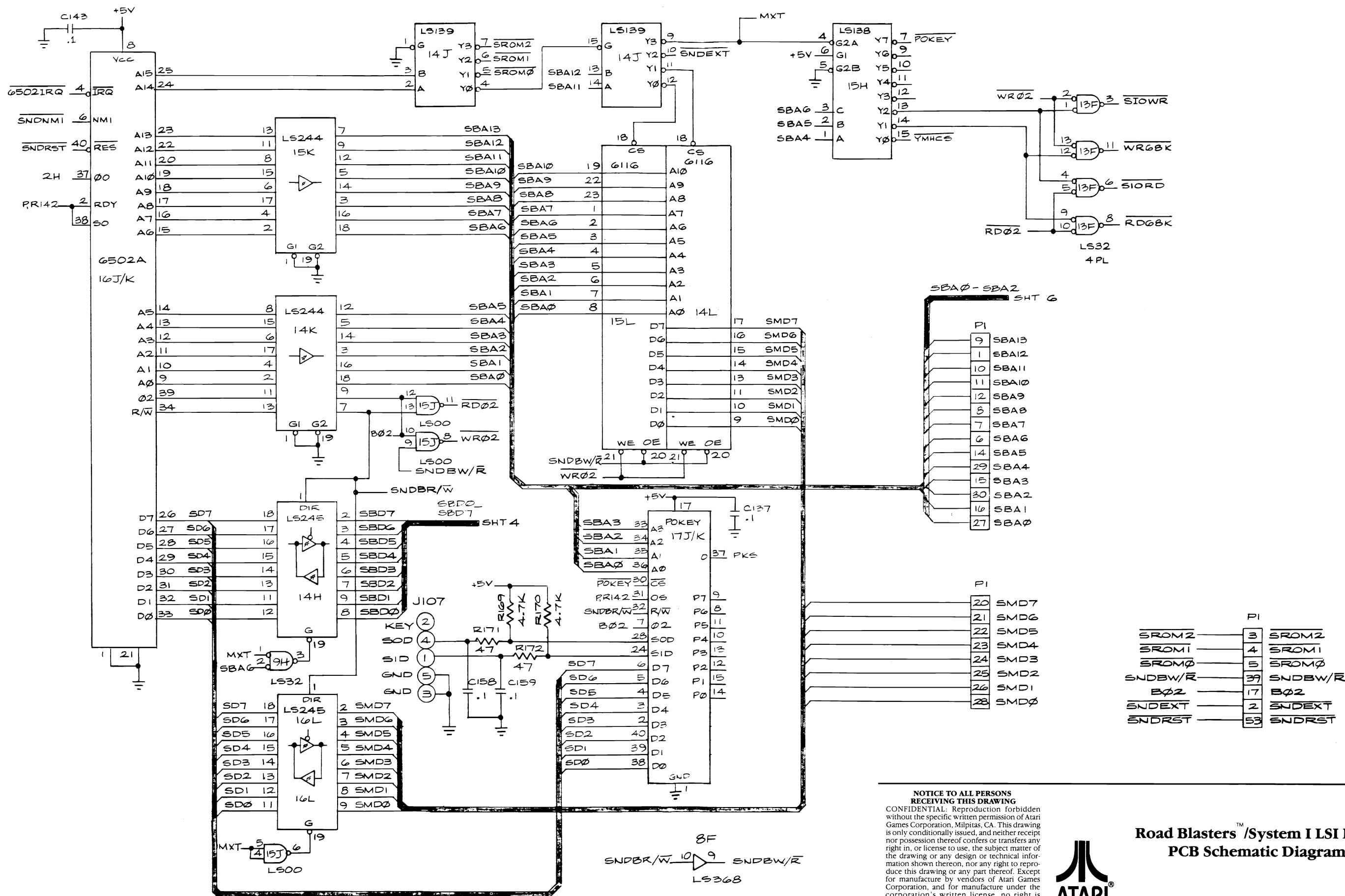
**NOTICE TO ALL PERSONS RECEIVING THIS DRAWING**  
 CONFIDENTIAL: Reproduction forbidden without the specific written permission of Atari Games Corporation, Milpitas, CA. This drawing is only conditionally issued, and neither receipt nor possession thereof confers or transfers any right in, or license to use, the subject matter of the drawing or any design or technical information shown thereon, nor any right to reproduce this drawing or any part thereof. Except for manufacture by vendors of Atari Games Corporation, and for manufacture under the corporation's written license, no right is granted to reproduce this drawing or the subject matter thereof, unless by written agreement with or written permission from the corporation.



**Road Blasters™ /System I LSI Main  
 PCB Schematic Diagram**

© 1987 Atari Games Corporation

SP-298 Sheet 4  
 1st printing



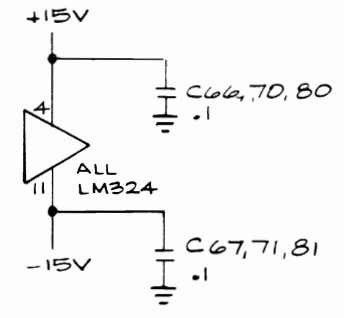
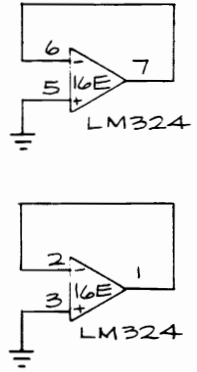
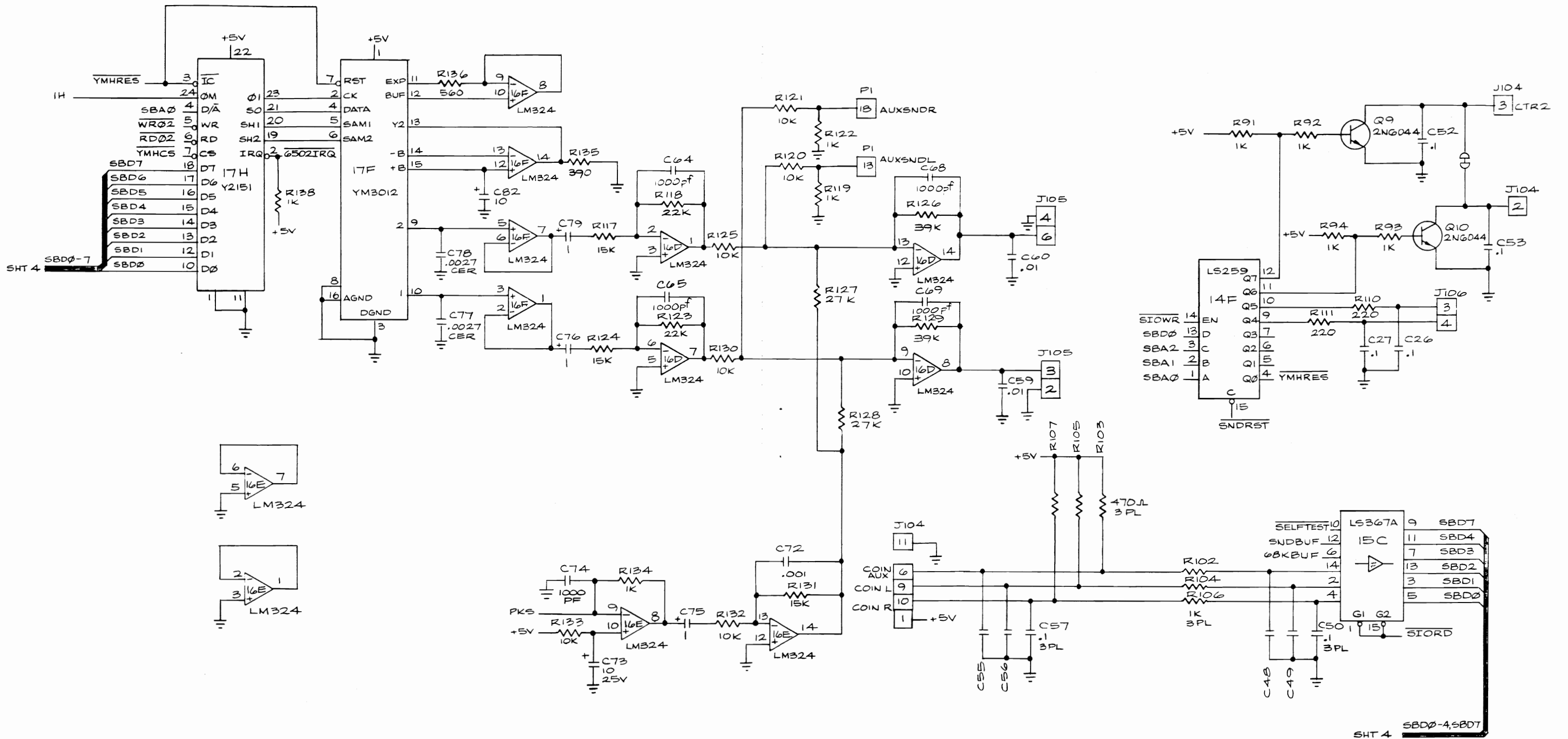
**NOTICE TO ALL PERSONS RECEIVING THIS DRAWING**  
 CONFIDENTIAL: Reproduction forbidden without the specific written permission of Atari Games Corporation, Milpitas, CA. This drawing is only conditionally issued, and neither receipt nor possession thereof confers or transfers any right in, or license to use, the subject matter of the drawing or any design or technical information shown thereon, nor any right to reproduce this drawing or any part thereof. Except for manufacture by vendors of Atari Games Corporation, and for manufacture under the corporation's written license, no right is granted to reproduce this drawing or the subject matter thereof, unless by written agreement with or written permission from the corporation.



**Road Blasters™ /System I LSI Main PCB Schematic Diagram**

© 1987 Atari Games Corporation

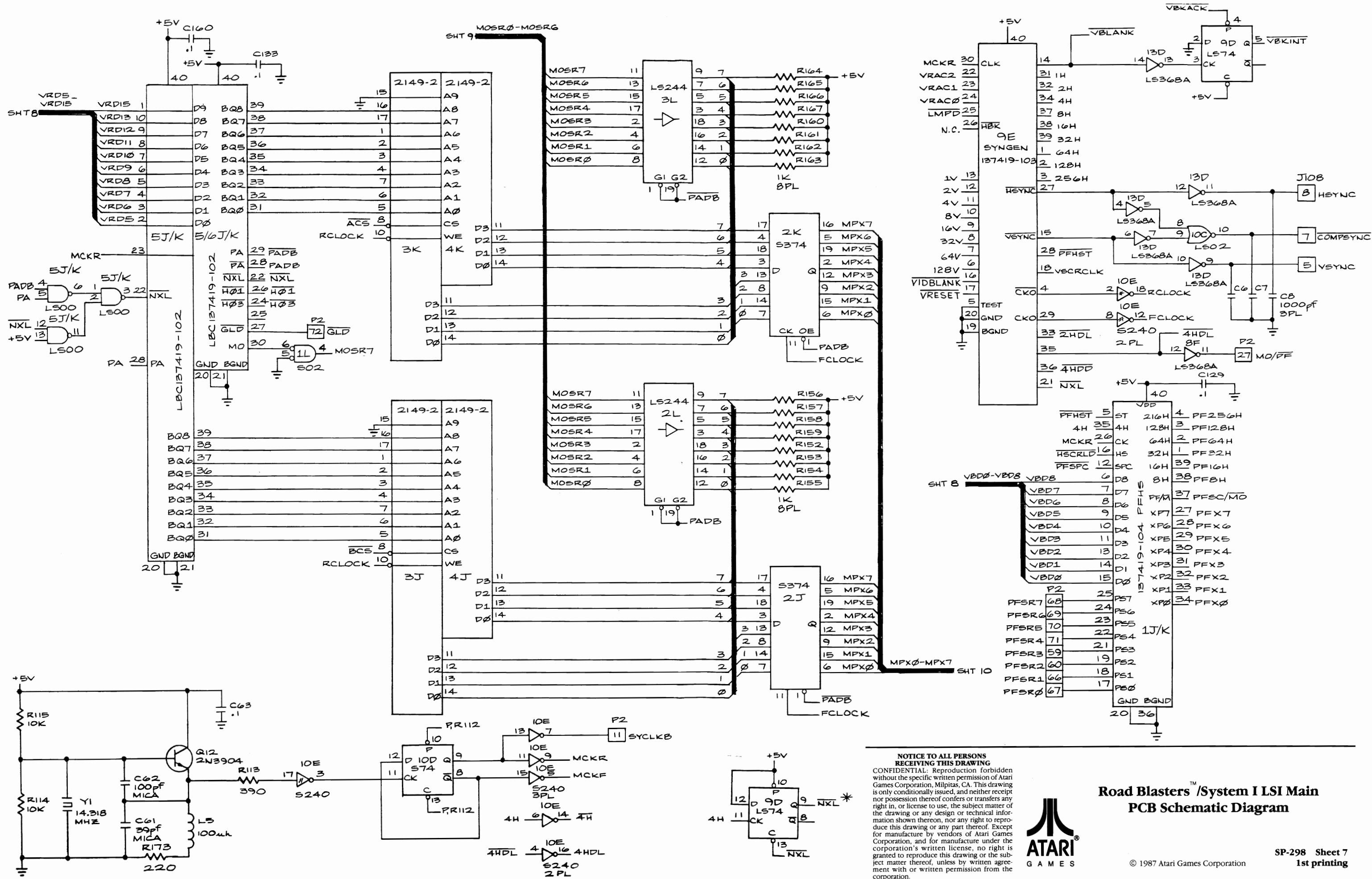
SP-298 Sheet 5  
1st printing



**NOTICE TO ALL PERSONS RECEIVING THIS DRAWING**  
 CONFIDENTIAL: Reproduction forbidden without the specific written permission of Atari Games Corporation, Milpitas, CA. This drawing is only conditionally issued, and neither receipt nor possession thereof confers or transfers any right in, or license to use, the subject matter of the drawing or any design or technical information shown thereon, nor any right to reproduce this drawing or any part thereof. Except for manufacture by vendors of Atari Games Corporation, and for manufacture under the corporation's written license, no right is granted to reproduce this drawing or the subject matter thereof, unless by written agreement with or written permission from the corporation.



**Road Blasters™ /System I LSI Main PCB Schematic Diagram**

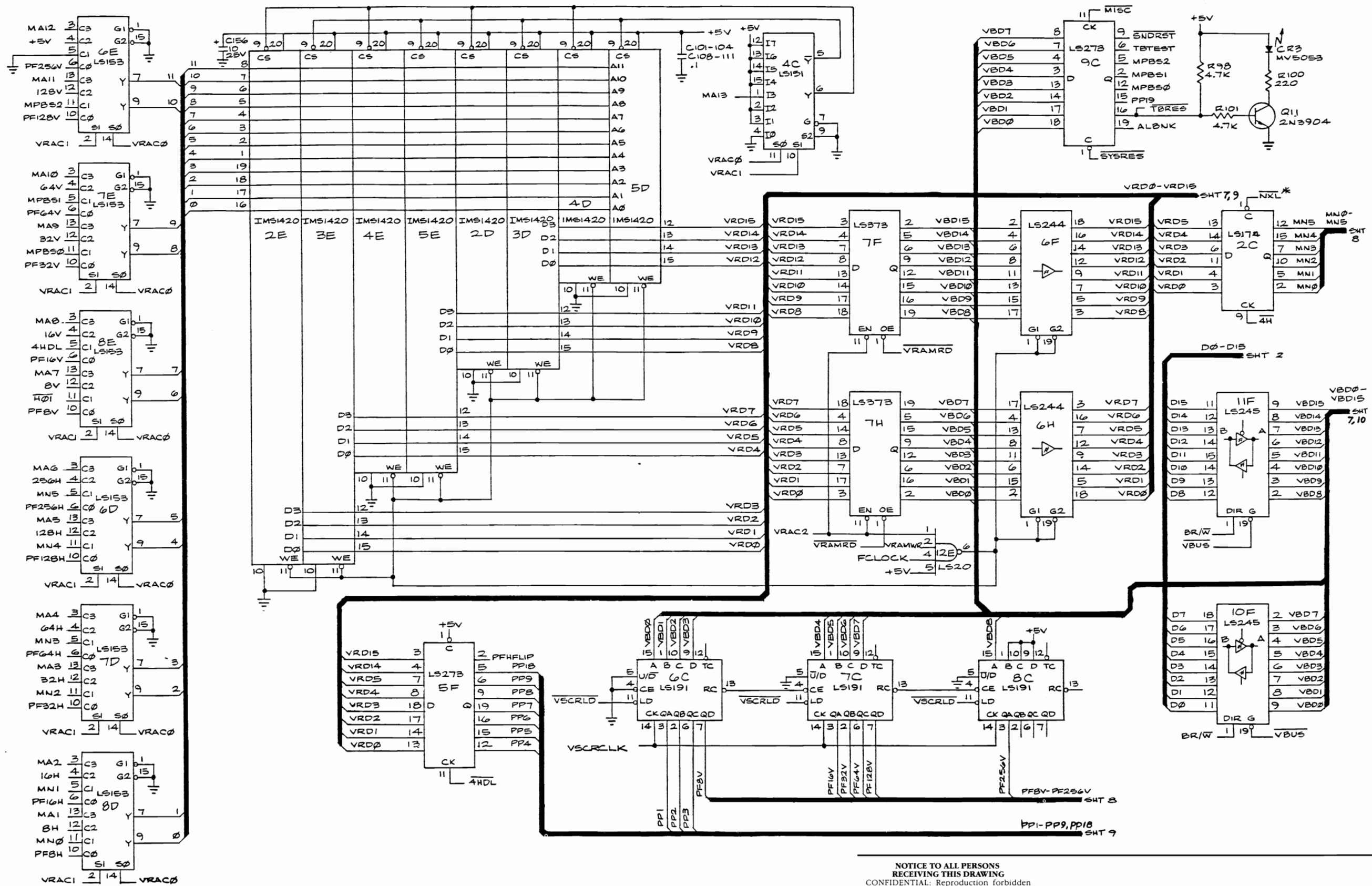


**NOTICE TO ALL PERSONS RECEIVING THIS DRAWING**  
 CONFIDENTIAL: Reproduction forbidden without the specific written permission of Atari Games Corporation, Milpitas, CA. This drawing is only conditionally issued, and neither receipt nor possession thereof confers or transfers any right in, or license to use, the subject matter of the drawing or any design or technical information shown thereon, nor any right to reproduce this drawing or any part thereof. Except for manufacture by vendors of Atari Games Corporation, and for manufacture under the corporation's written license, no right is granted to reproduce this drawing or the subject matter thereof, unless by written agreement with or written permission from the corporation.



**Road Blasters™ /System I LSI Main PCB Schematic Diagram**





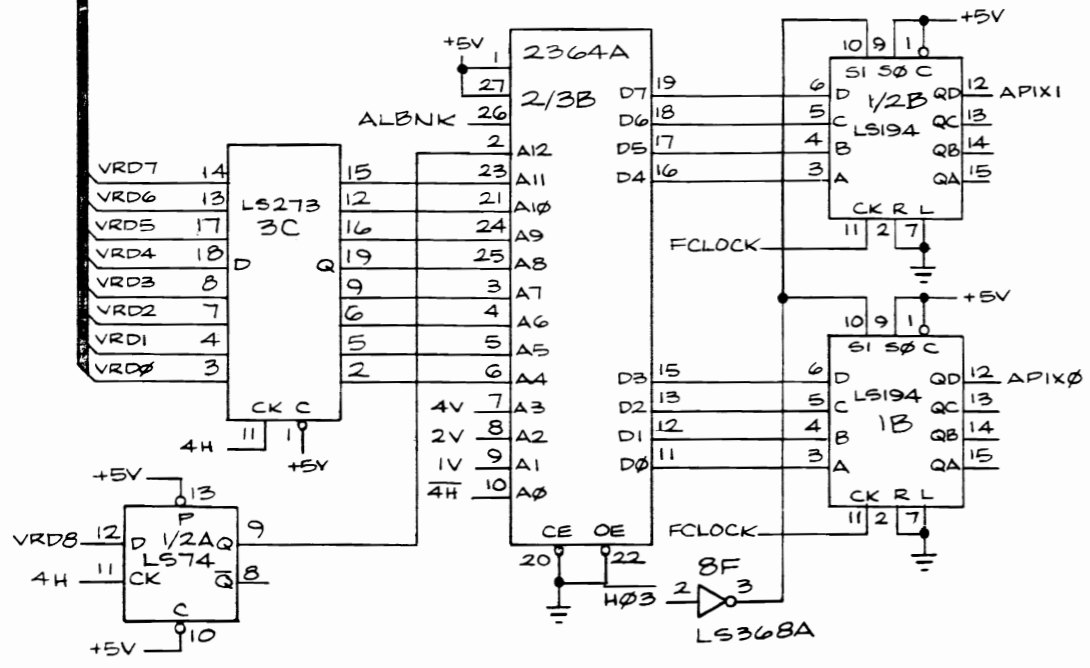
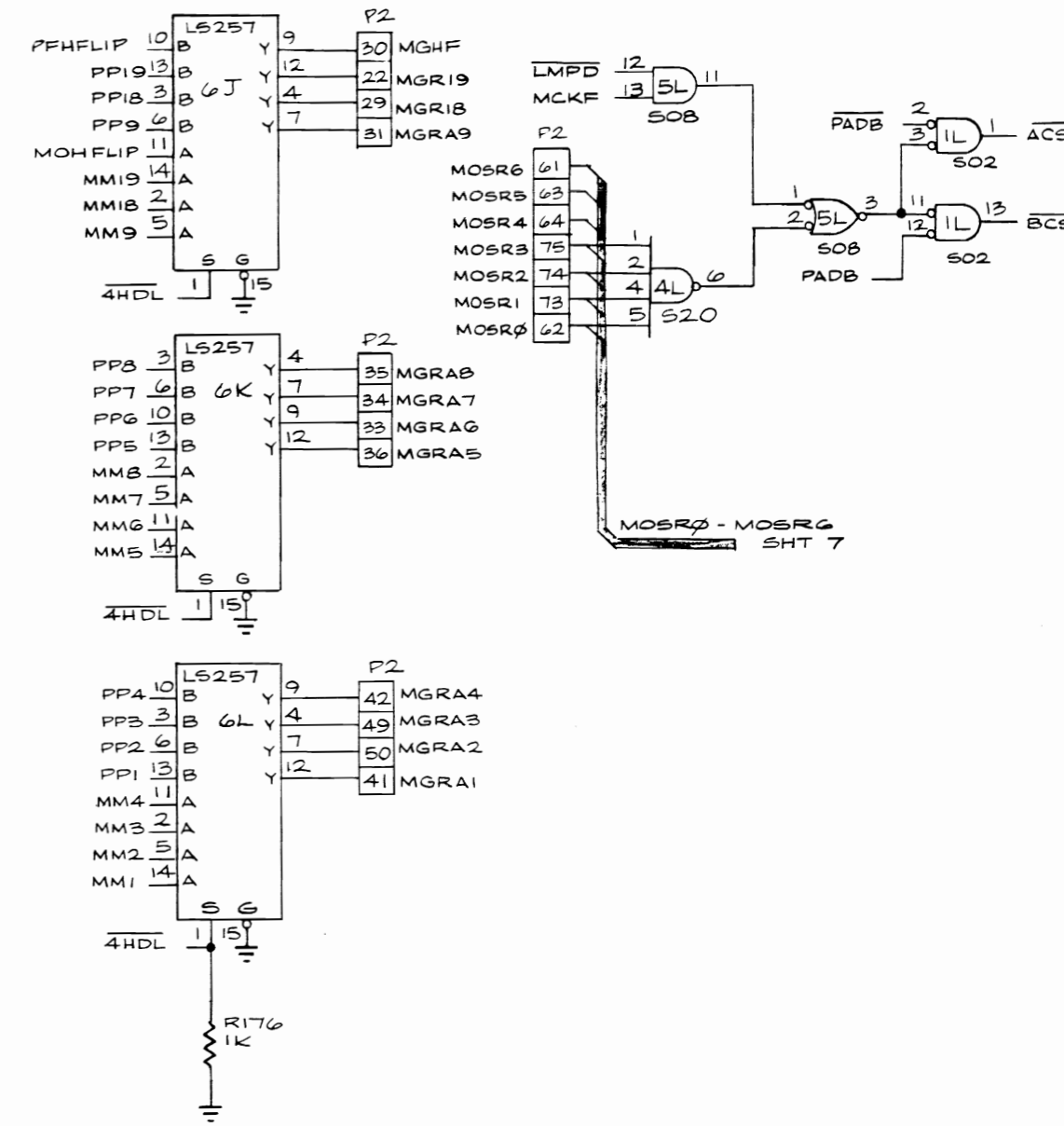
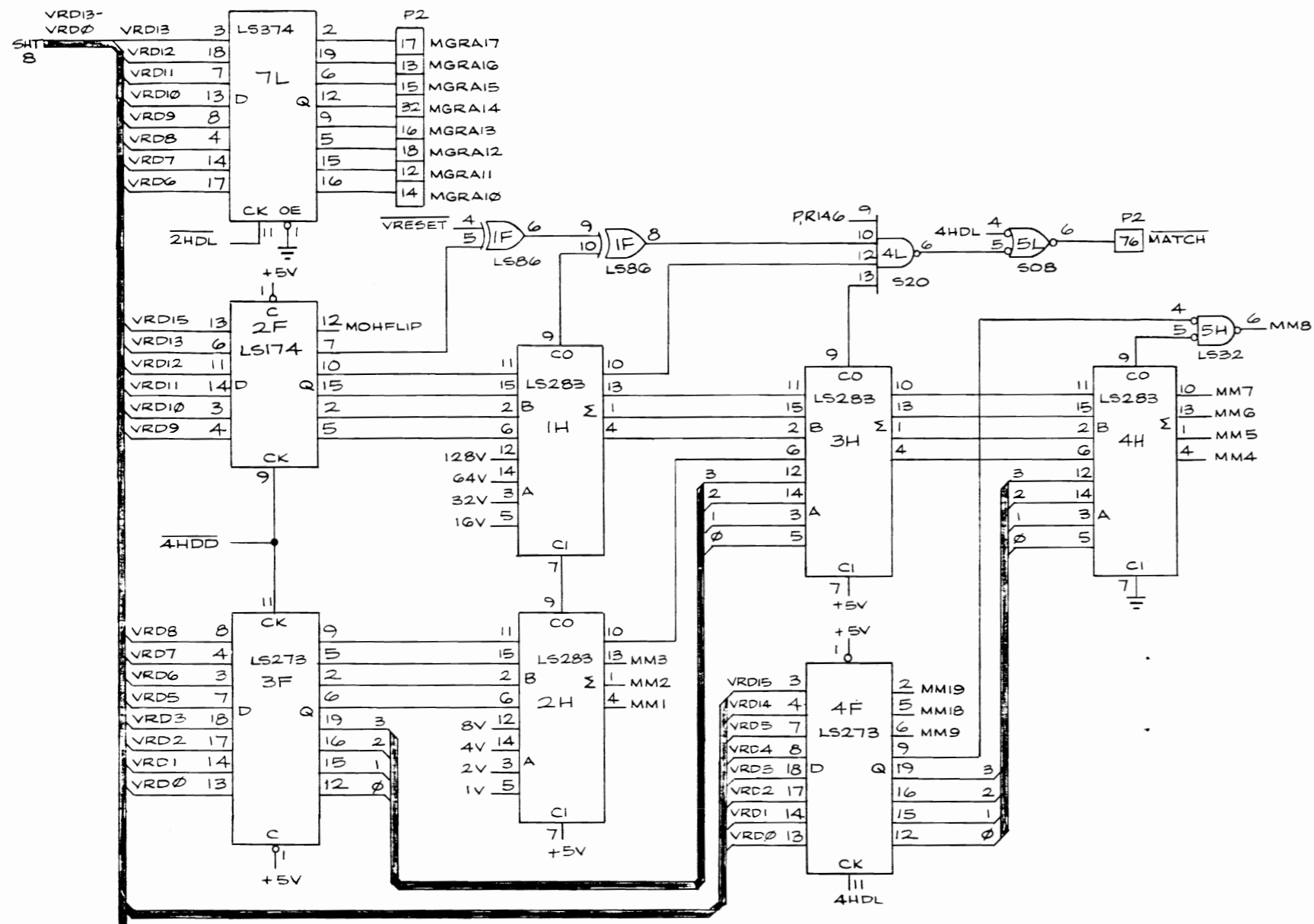
**NOTICE TO ALL PERSONS RECEIVING THIS DRAWING**  
 CONFIDENTIAL: Reproduction forbidden without the specific written permission of Atari Games Corporation, Milpitas, CA. This drawing is only conditionally issued, and neither receipt nor possession thereof confers or transfers any right in, or license to use, the subject matter of the drawing or any design or technical information shown thereon, nor any right to reproduce this drawing or any part thereof. Except for manufacture by vendors of Atari Games Corporation, and for manufacture under the corporation's written license, no right is granted to reproduce this drawing or the subject matter thereof, unless by written agreement or written permission from the corporation.



**Road Blasters™ /System I LSI Main PCB Schematic Diagram**

© 1987 Atari Games Corporation

SP-298 Sheet 8  
1st printing

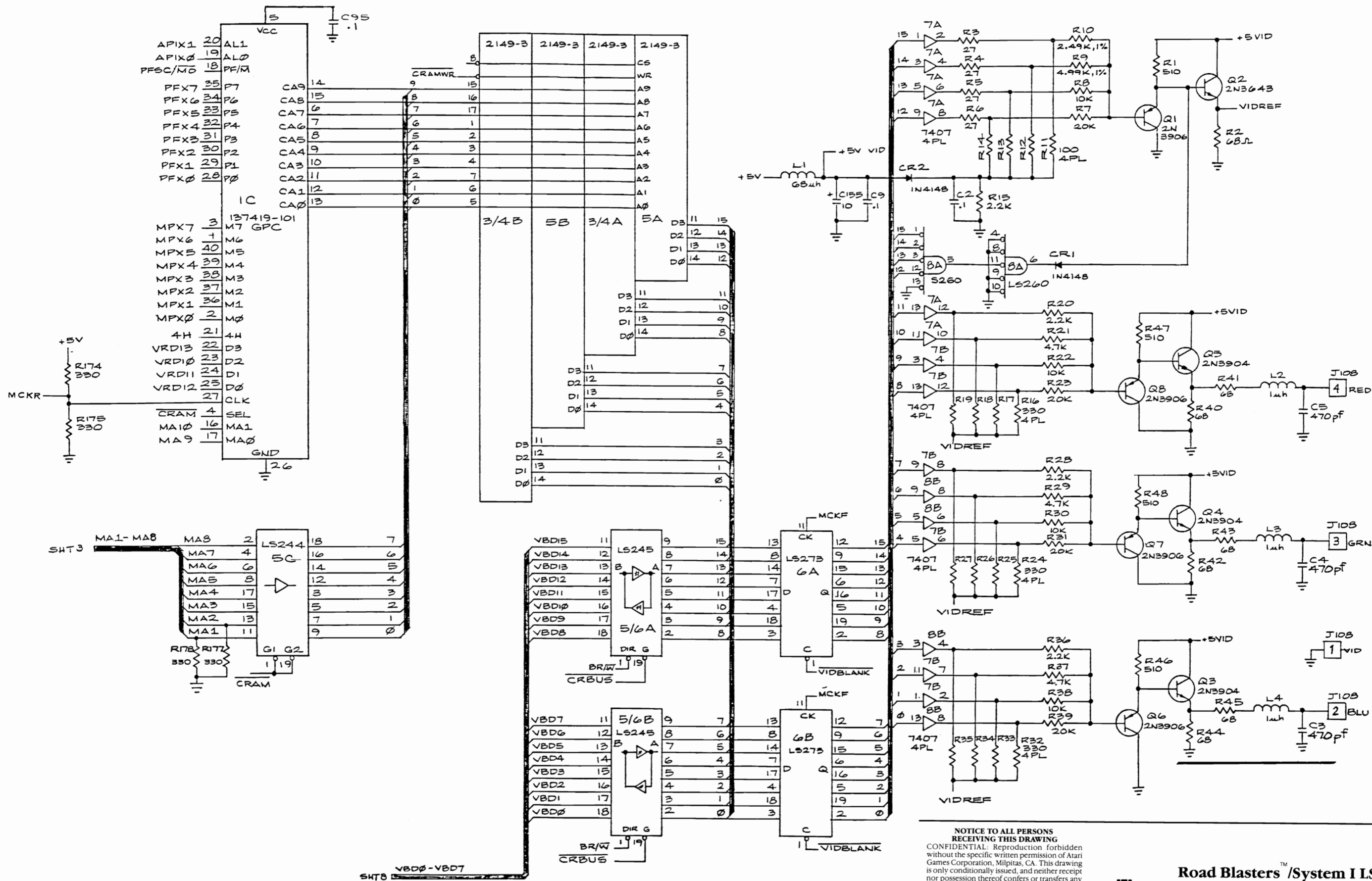


**NOTICE TO ALL PERSONS RECEIVING THIS DRAWING**  
 CONFIDENTIAL: Reproduction forbidden without the specific written permission of Atari Games Corporation, Milpitas, CA. This drawing is only conditionally issued, and neither receipt nor possession thereof confers or transfers any right in, or license to use, the subject matter of the drawing or any design or technical information shown thereon, nor any right to reproduce this drawing or any part thereof. Except for manufacture by vendors of Atari Games Corporation, and for manufacture under the corporation's written license, no right is granted to reproduce this drawing or the subject matter thereof, unless by written agreement with or written permission from the corporation.



**Road Blasters™ /System I LSI Main PCB Schematic Diagram**

© 1987 Atari Games Corporation



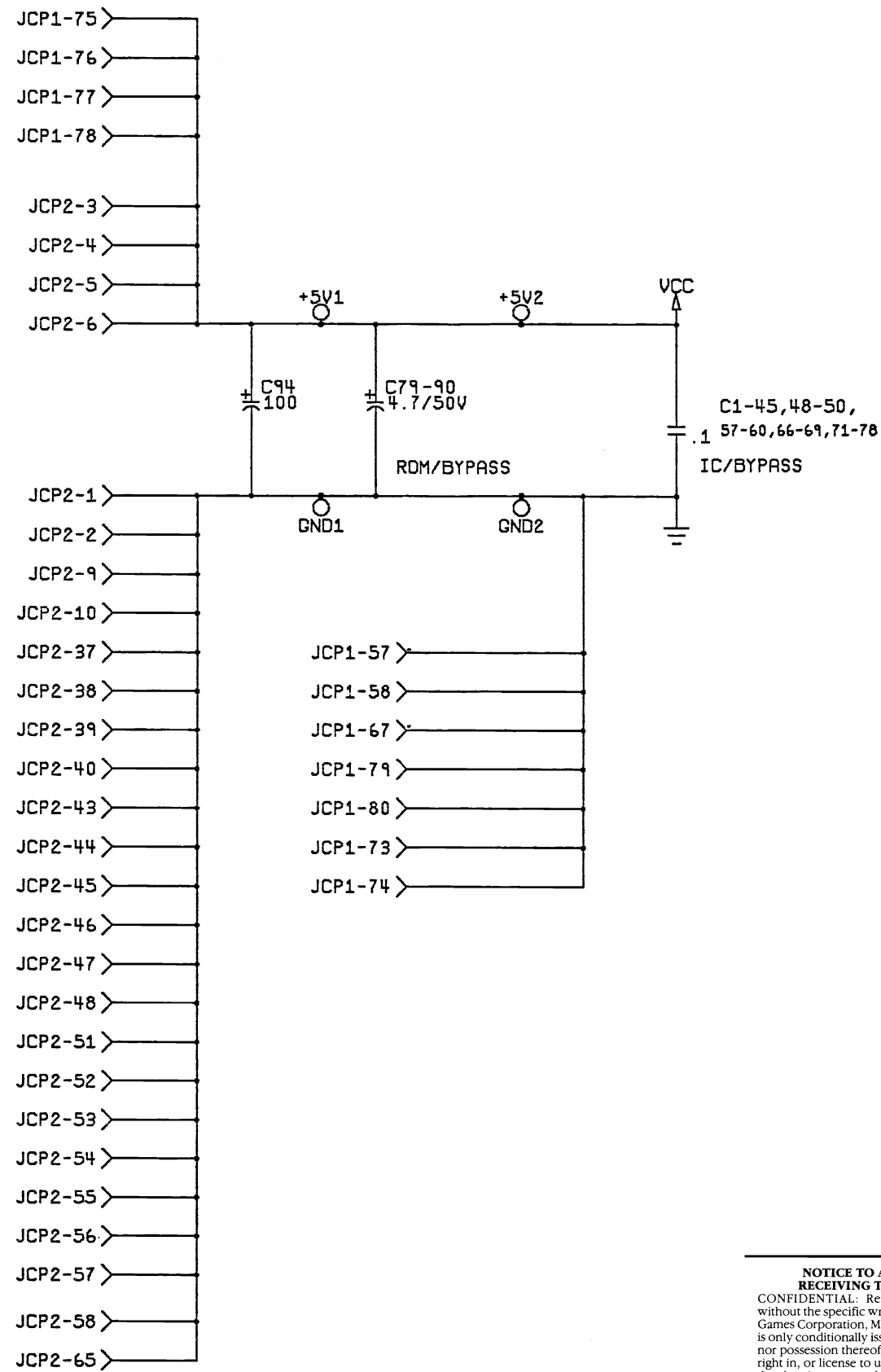
**NOTICE TO ALL PERSONS RECEIVING THIS DRAWING**  
 CONFIDENTIAL: Reproduction forbidden without the specific written permission of Atari Games Corporation, Milpitas, CA. This drawing is only conditionally issued, and neither receipt nor possession thereof confers or transfers any right in, or license to use, the subject matter of the drawing or any design or technical information shown thereon, nor any right to reproduce this drawing or any part thereof. Except for manufacture by vendors of Atari Games Corporation, and for manufacture under the corporation's written license, no right is granted to reproduce this drawing or the subject matter thereof, unless by written agreement with or written permission from the corporation.



**Road Blasters™ /System I LSI Main PCB Schematic Diagram**

© 1987 Atari Games Corporation

SP-298 Sheet 10  
1st printing

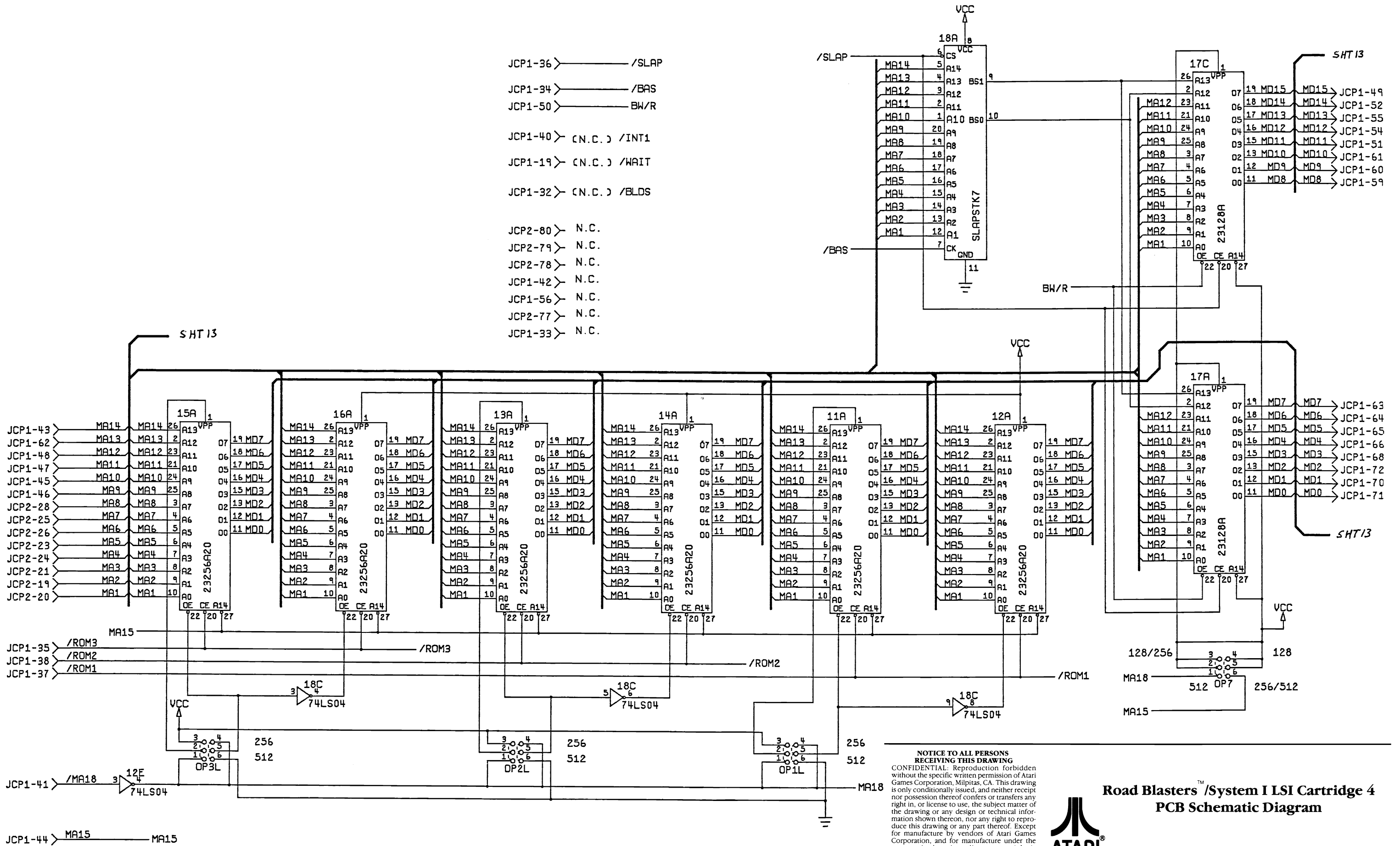


**NOTICE TO ALL PERSONS RECEIVING THIS DRAWING**  
 CONFIDENTIAL: Reproduction forbidden without the specific written permission of Atari Games Corporation, Milpitas, CA. This drawing is only conditionally issued, and neither receipt nor possession thereof confers or transfers any right in, or license to use, the subject matter of the drawing or any design or technical information shown thereon, nor any right to reproduce this drawing or any part thereof. Except for manufacture by vendors of Atari Games Corporation, and for manufacture under the corporation's written license, no right is granted to reproduce this drawing or the subject matter thereof, unless by written agreement with or written permission from the corporation.

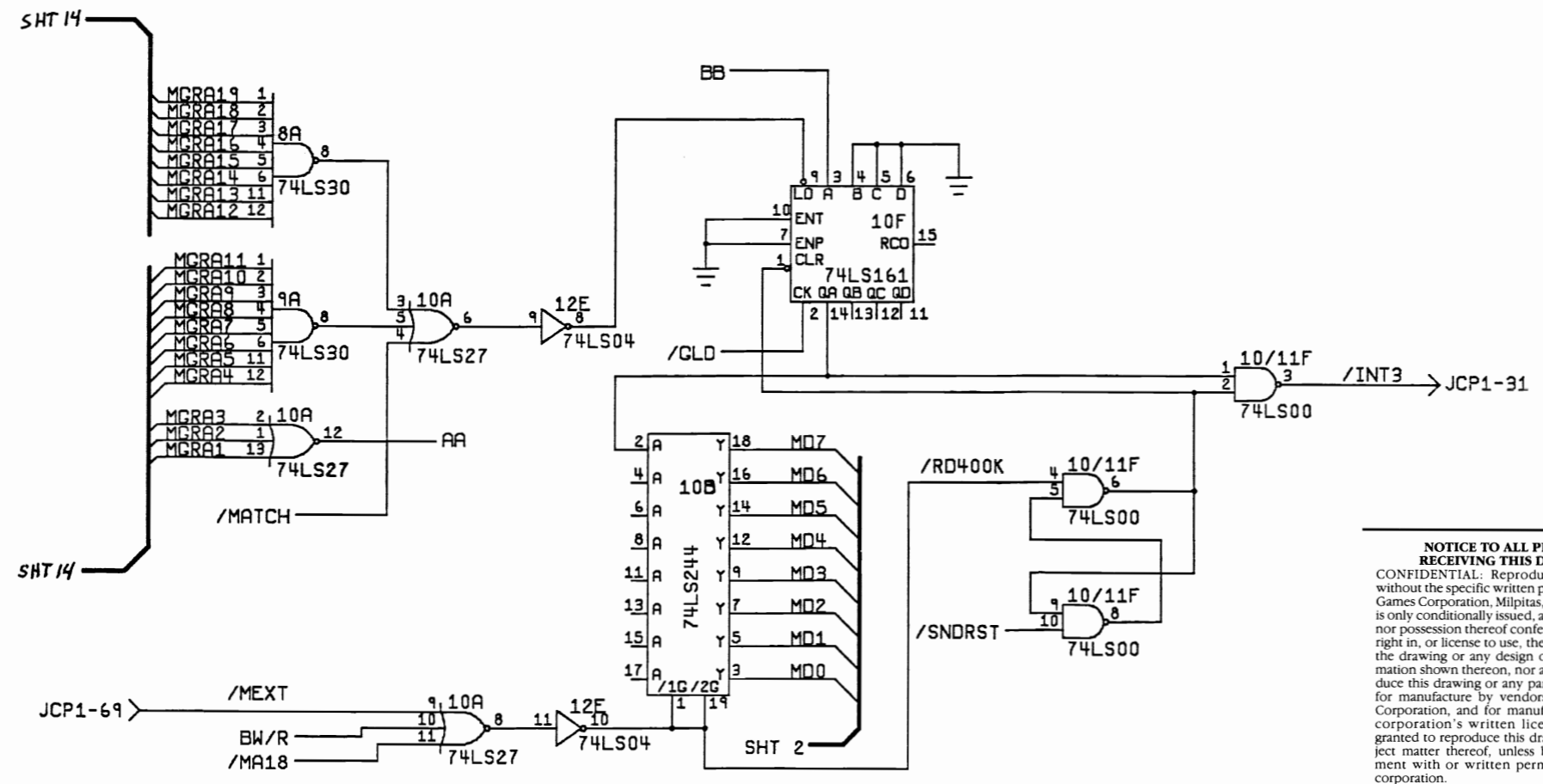
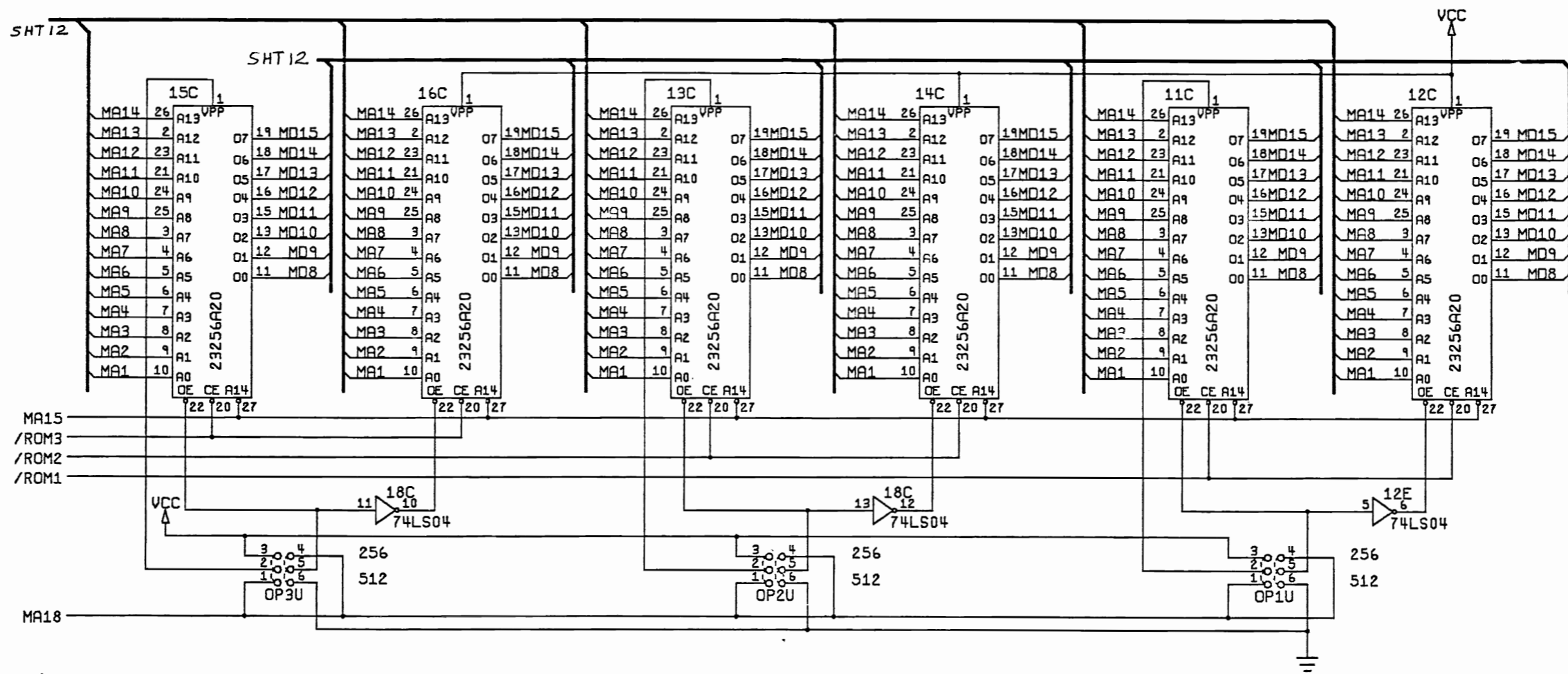


**Road Blasters™ /System I LSI Cartridge 4  
 PCB Schematic Diagram**

- JCP1-36 > /SLAP
- JCP1-34 > /BAS
- JCP1-50 > BW/R
- JCP1-40 > (N.C.) /INT1
- JCP1-19 > (N.C.) /WAIT
- JCP1-32 > (N.C.) /BLDS
- JCP2-80 > N.C.
- JCP2-79 > N.C.
- JCP2-78 > N.C.
- JCP1-42 > N.C.
- JCP1-56 > N.C.
- JCP2-77 > N.C.
- JCP1-33 > N.C.



**NOTICE TO ALL PERSONS RECEIVING THIS DRAWING**  
 CONFIDENTIAL: Reproduction forbidden without the specific written permission of Atari Games Corporation, Milpitas, CA. This drawing is only conditionally issued, and neither receipt nor possession thereof confers or transfers any right in, or license to use, the subject matter of the drawing or any design or technical information shown thereon, nor any right to reproduce this drawing or any part thereof. Except for manufacture by vendors of Atari Games Corporation, and for manufacture under the corporation's written license, no right is granted to reproduce this drawing or the subject matter thereof, unless by written agreement with or written permission from the corporation.

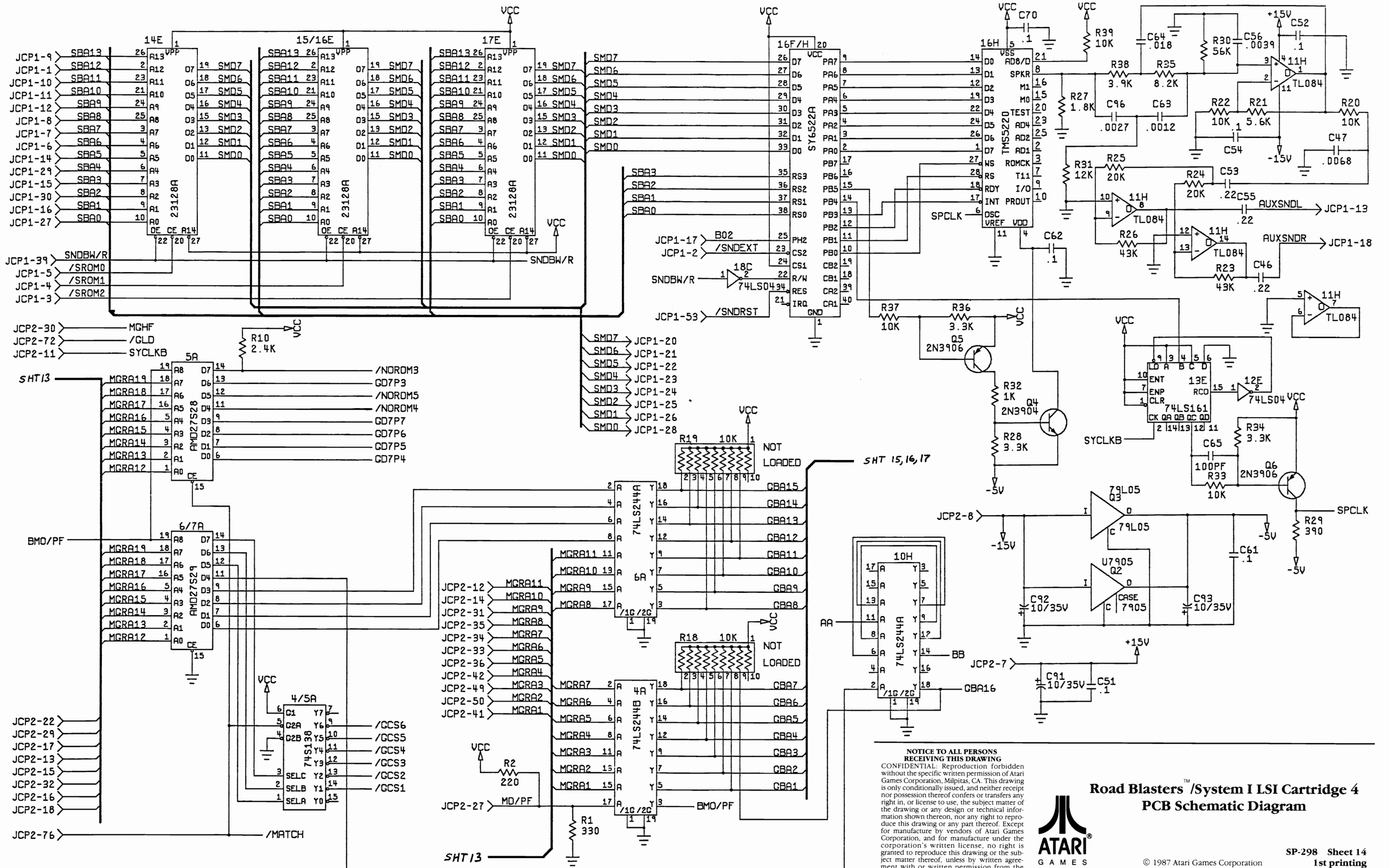


**NOTICE TO ALL PERSONS RECEIVING THIS DRAWING**  
 CONFIDENTIAL: Reproduction forbidden without the specific written permission of Atari Games Corporation, Milpitas, CA. This drawing is only conditionally issued, and neither receipt nor possession thereof confers or transfers any right in, or license to use, the subject matter of the drawing or any design or technical information shown thereon, nor any right to reproduce this drawing or any part thereof. Except for manufacture by vendors of Atari Games Corporation, and for manufacture under the corporation's written license, no right is granted to reproduce this drawing or the subject matter thereof, unless by written agreement with or written permission from the corporation.

**Road Blasters™ /System I LSI Cartridge 4 PCB Schematic Diagram**

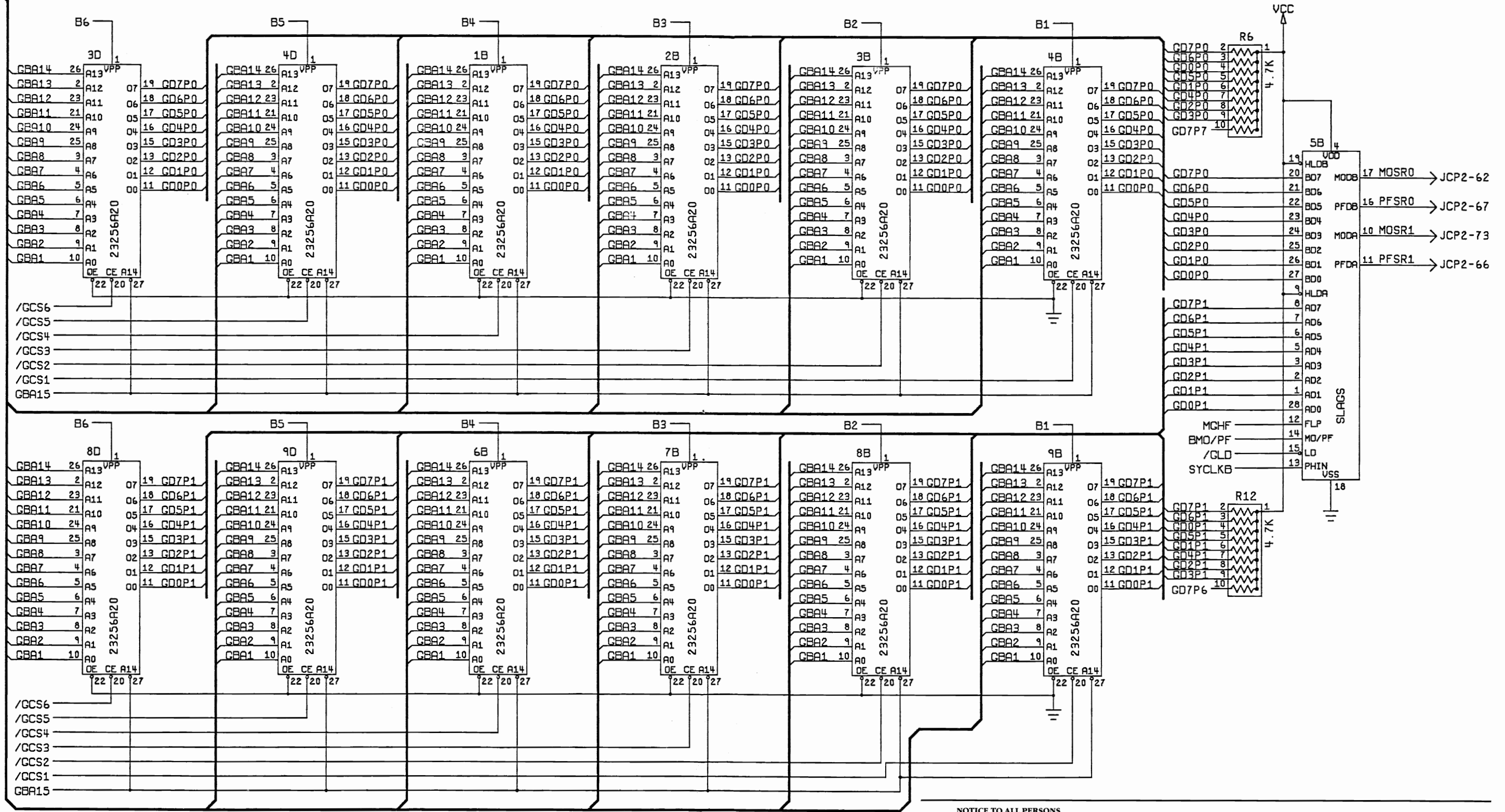
ATARI  
GAMES

© 1987 Atari Games Corporation



**NOTICE TO ALL PERSONS RECEIVING THIS DRAWING**  
 CONFIDENTIAL. Reproduction forbidden without the specific written permission of Atari Games Corporation, Milpitas, CA. This drawing is only conditionally issued, and neither receipt nor possession thereof confers or transfers any right in, or license to use, the subject matter of the drawing or any design or technical information shown thereon, nor any right to reproduce this drawing or any part thereof. Except for manufacture by vendors of Atari Games Corporation, and for manufacture under the corporation's written license, no right is granted to reproduce this drawing or the subject matter thereof, unless by written agreement with or written permission from the corporation.

SHT 14



**NOTICE TO ALL PERSONS RECEIVING THIS DRAWING**  
 CONFIDENTIAL: Reproduction forbidden without the specific written permission of Atari Games Corporation, Milpitas, CA. This drawing is only conditionally issued, and neither receipt nor possession thereof confers or transfers any right in, or license to use, the subject matter of the drawing or any design or technical information shown thereon, nor any right to reproduce this drawing or any part thereof. Except for manufacture by vendors of Atari Games Corporation, and for manufacture under the corporation's written license, no right is granted to reproduce this drawing or the subject matter thereof, unless by written agreement with or written permission from the corporation.

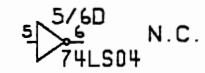
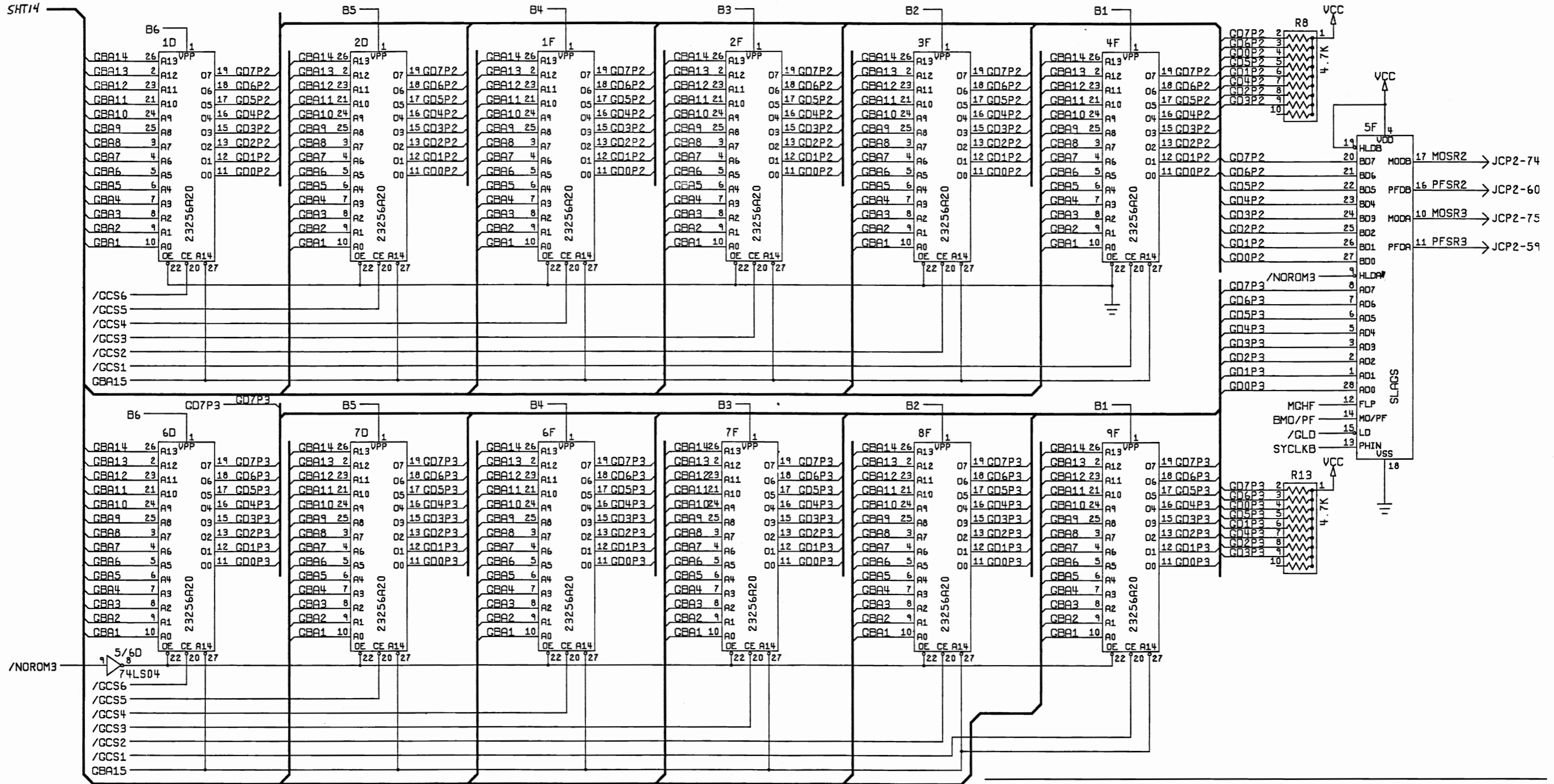
**Road Blasters™ /System I LSI Cartridge 4  
 PCB Schematic Diagram**

**ATARI**  
 G A M E S

© 1987 Atari Games Corporation

SP-298 Sheet 15  
 1st printing

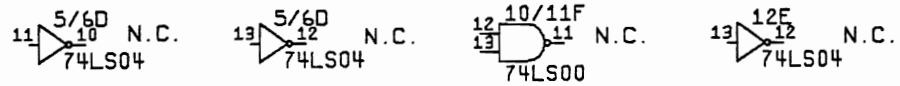
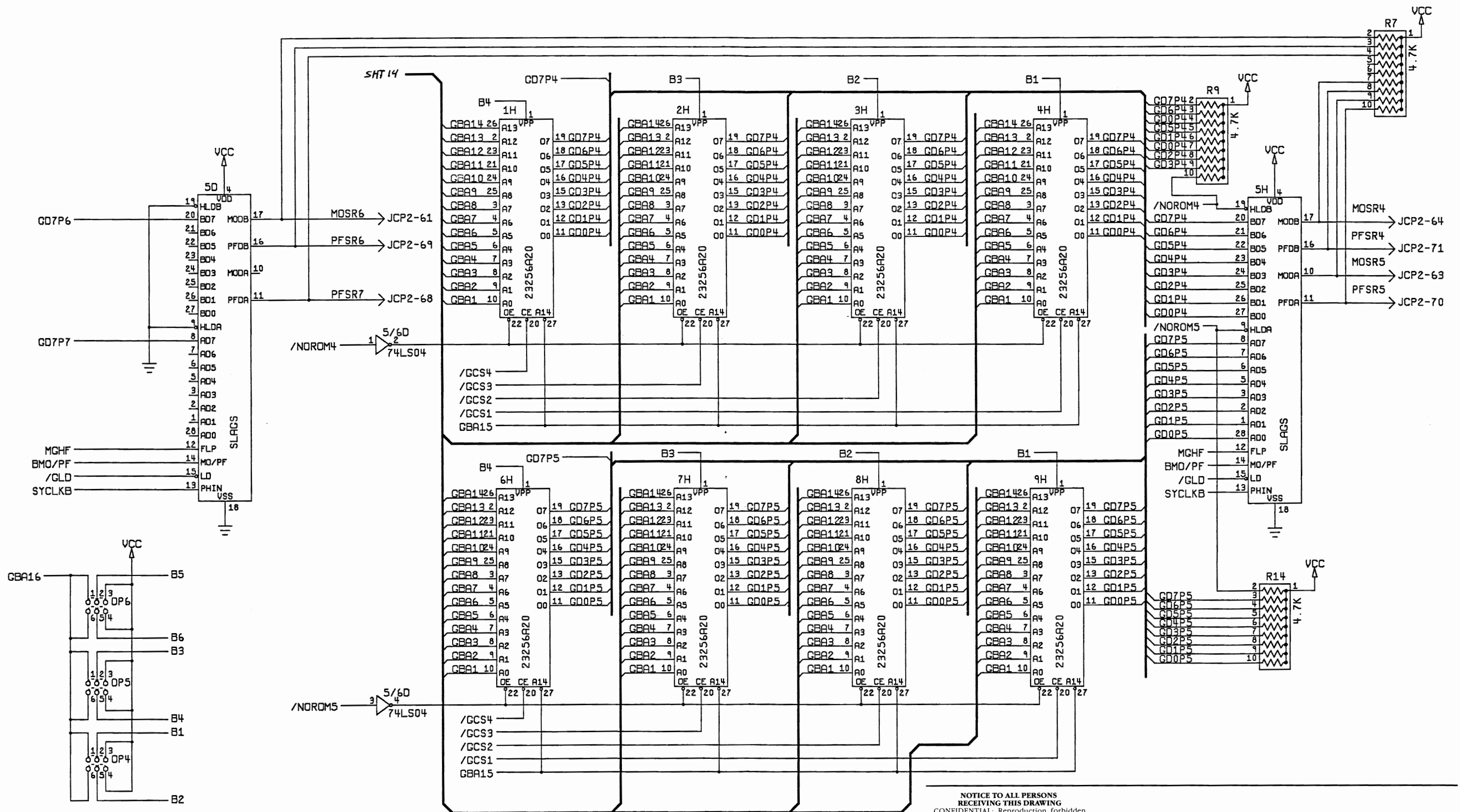




**NOTICE TO ALL PERSONS RECEIVING THIS DRAWING**  
 CONFIDENTIAL: Reproduction forbidden without the specific written permission of Atari Games Corporation, Milpitas, CA. This drawing is only conditionally issued, and neither receipt nor possession thereof confers or transfers any right in, or license to use, the subject matter of the drawing or any design or technical information shown thereon, nor any right to reproduce this drawing or any part thereof. Except for manufacture by vendors of Atari Games Corporation, and for manufacture under the corporation's written license, no right is granted to reproduce this drawing or the subject matter thereof, unless by written agreement with or written permission from the corporation.



**Road Blasters™ /System I LSI Cartridge 4  
 PCB Schematic Diagram**



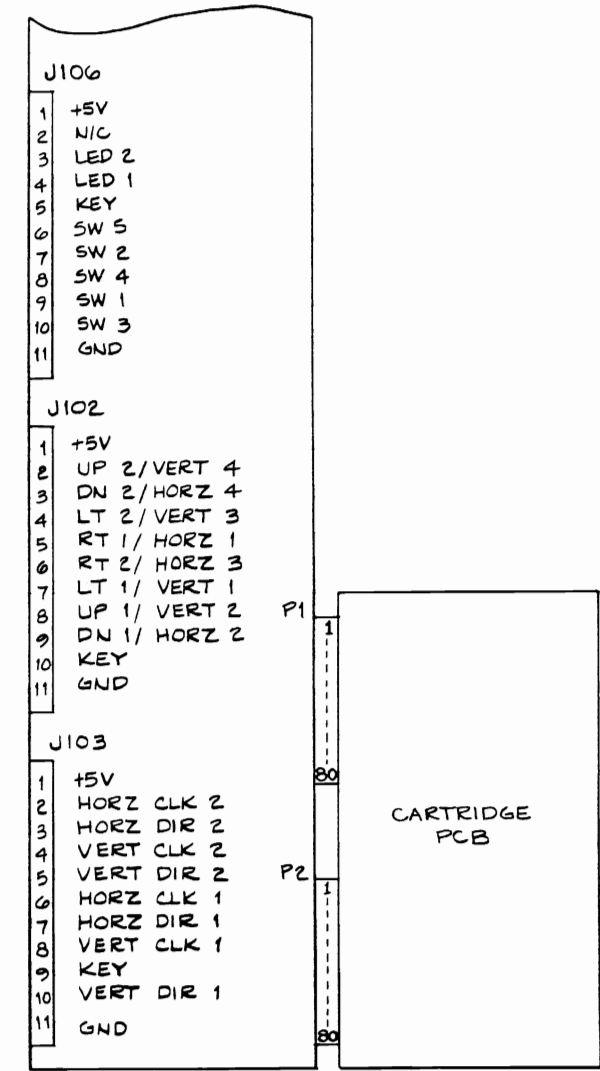
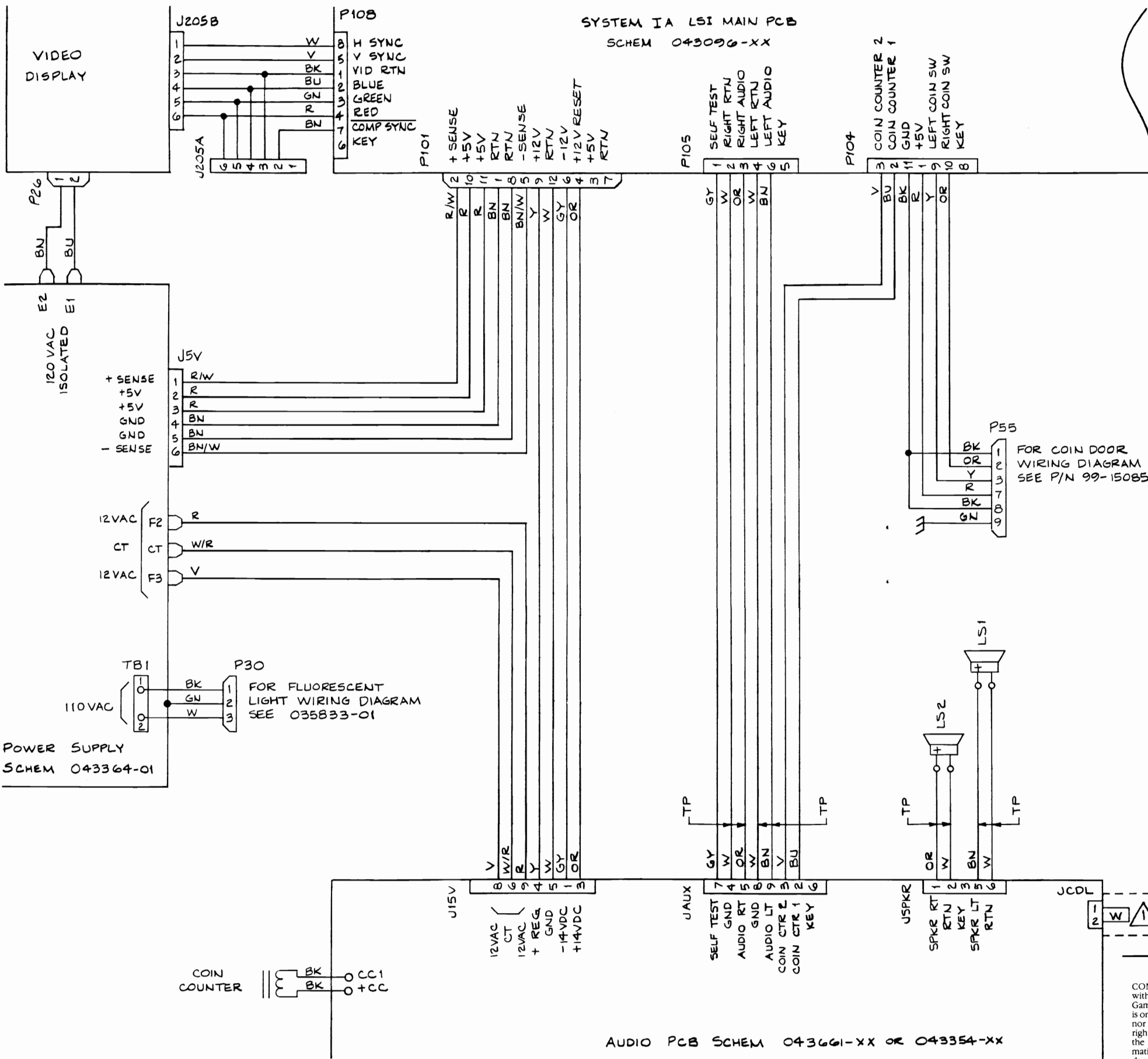
**NOTICE TO ALL PERSONS RECEIVING THIS DRAWING**  
 CONFIDENTIAL: Reproduction forbidden without the specific written permission of Atari Games Corporation, Milpitas, CA. This drawing is only conditionally issued, and neither receipt nor possession thereof confers or transfers any right in, or license to use, the subject matter of the drawing or any design or technical information shown thereon, nor any right to reproduce this drawing or any part thereof. Except for manufacture by vendors of Atari Games Corporation, and for manufacture under the corporation's written license, no right is granted to reproduce this drawing or the subject matter thereof, unless by written agreement with or written permission from the corporation.



**Road Blasters™ /System I LSI Cartridge 4  
 PCB Schematic Diagram**

© 1987 Atari Games Corporation

SP-298 Sheet 17  
 1st printing



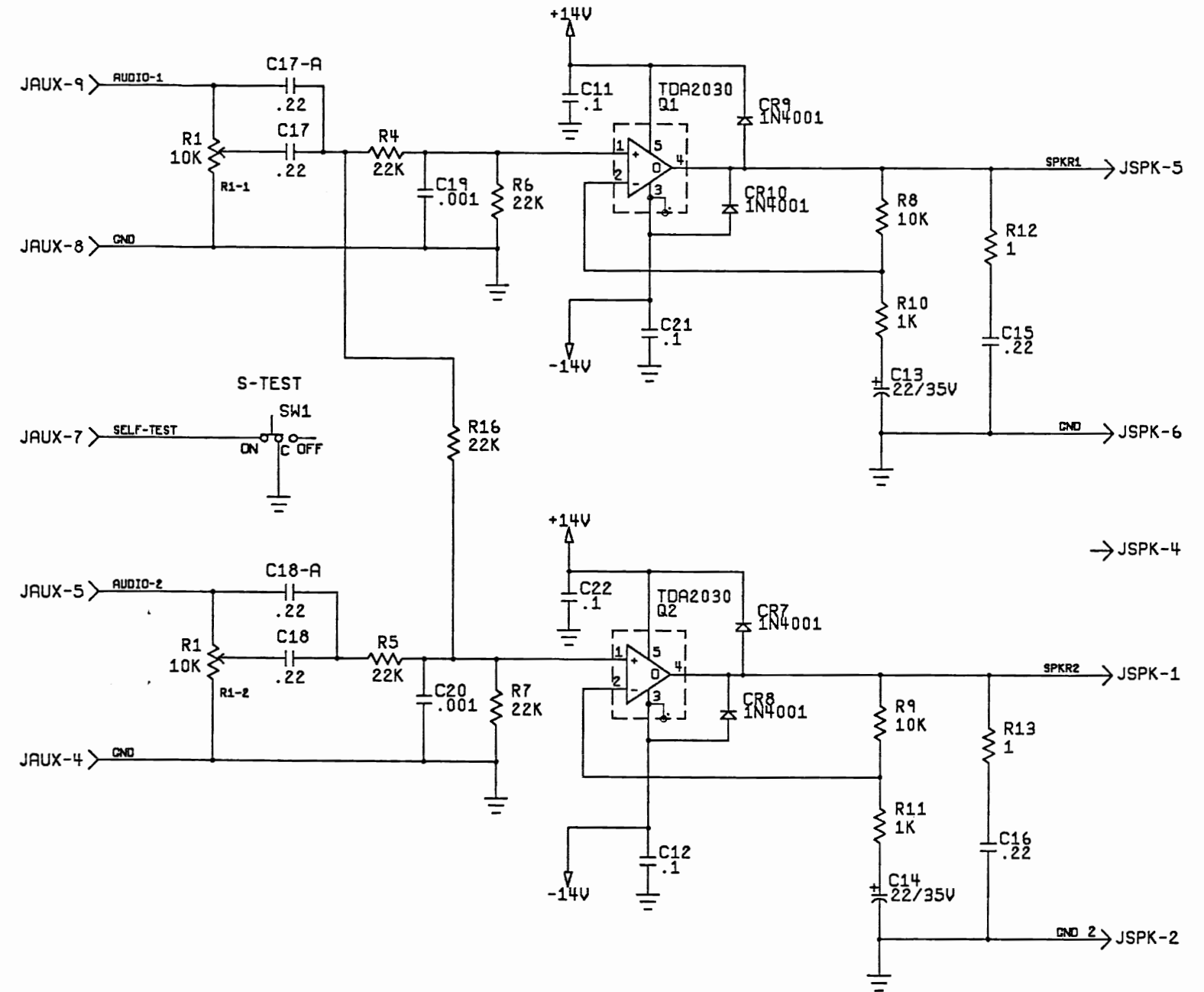
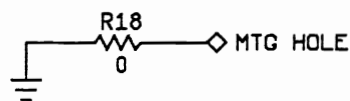
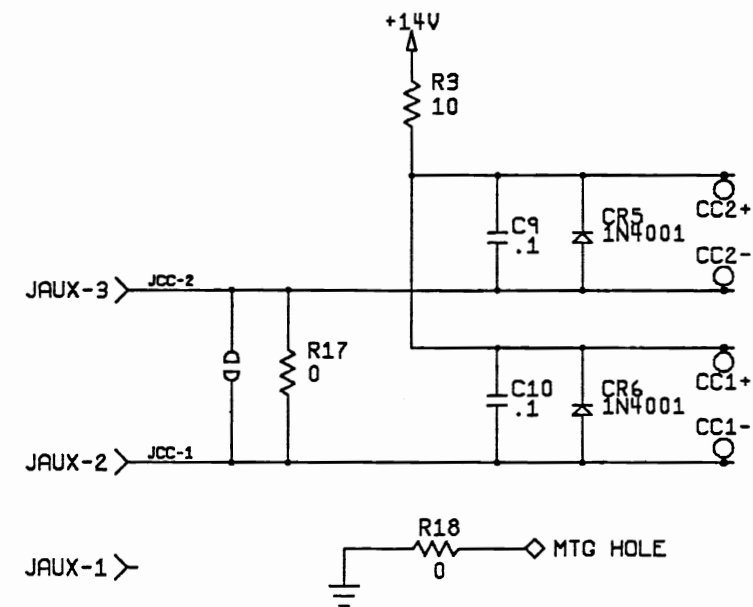
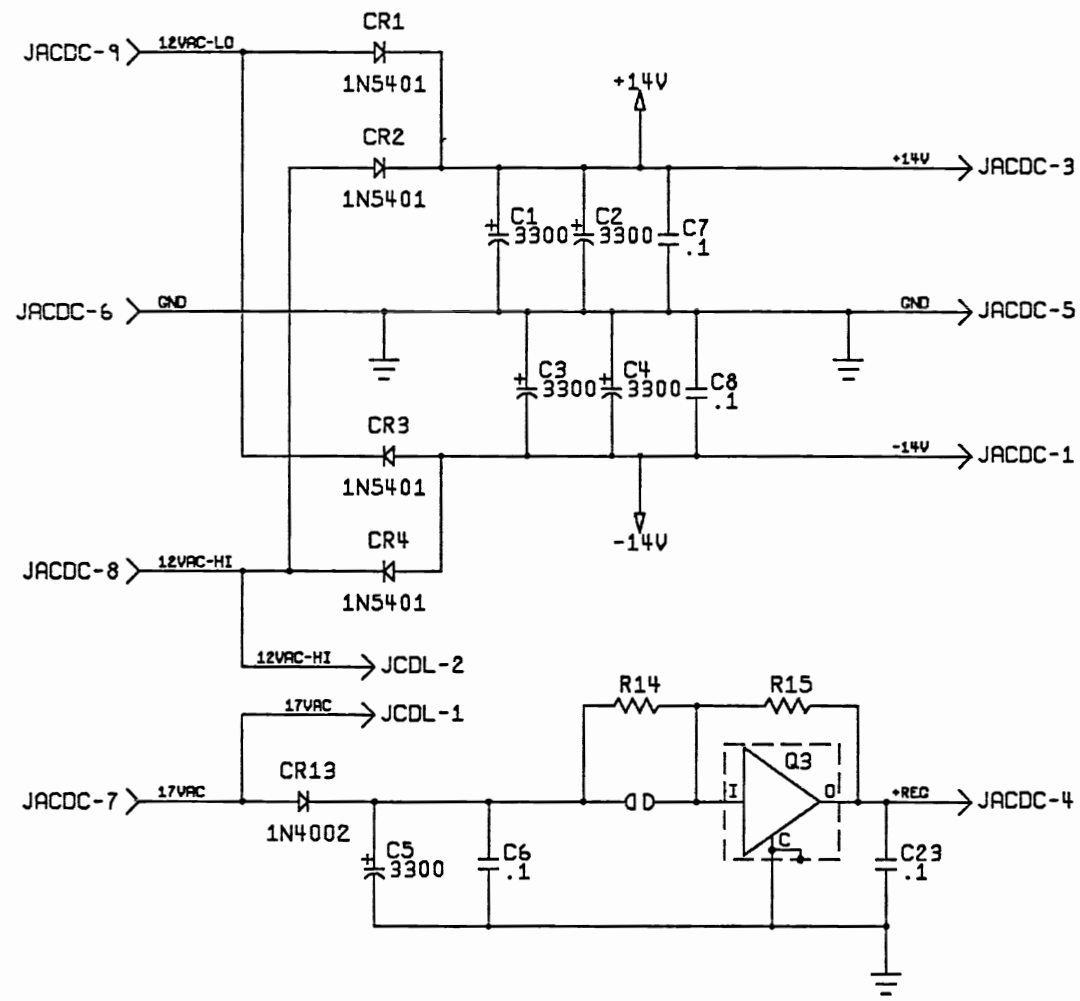
**NOTE**  
 USED WITH AUDIO PCB A043661-XX ONLY.

AUDIO PCB SCHEM 043661-XX OR 043354-XX

**NOTICE TO ALL PERSONS RECEIVING THIS DRAWING**  
 CONFIDENTIAL: Reproduction forbidden without the specific written permission of Atari Games Corporation, Milpitas, CA. This drawing is only conditionally issued, and neither receipt nor possession thereof confers or transfers any right in, or license to use, the subject matter of the drawing or any design or technical information shown thereon, nor any right to reproduce this drawing or any part thereof. Except for manufacture by vendors of Atari Games Corporation, and for manufacture under the corporation's written license, no right is granted to reproduce this drawing or the subject matter thereof, unless by written agreement with or written permission from the corporation.



**Road Blasters™ /System I**  
**Main Wiring Diagram**



NOTES:  
SEE APPROPRIATE PARTS LIST FOR CORRECT COMPONENTS  
USED FOR EACH DASH VERSION.

**NOTICE TO ALL PERSONS RECEIVING THIS DRAWING**

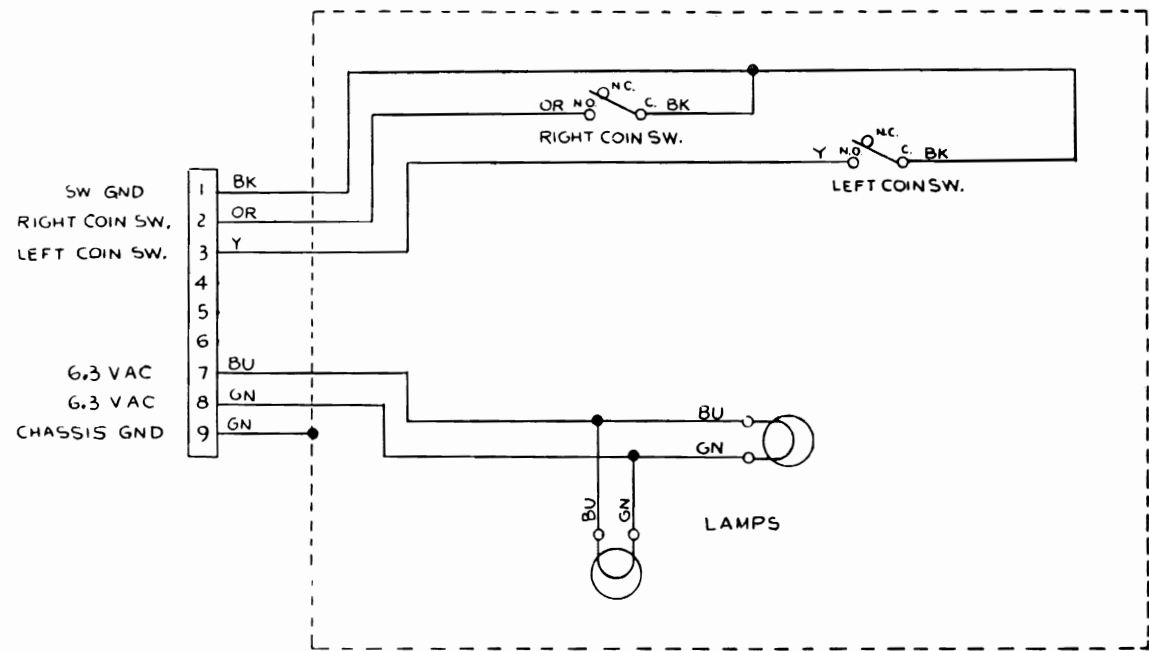
CONFIDENTIAL: Reproduction forbidden without the specific written permission of Atari Games Corporation, Milpitas, CA. This drawing is only conditionally issued, and neither receipt nor possession thereof confers or transfers any right in, or license to use, the subject matter of the drawing or any design or technical information shown thereon, nor any right to reproduce this drawing or any part thereof. Except for manufacture by vendors of Atari Games Corporation, and for manufacture under the corporation's written license, no right is granted to reproduce this drawing or the subject matter thereof, unless by written agreement with or written permission from the corporation.



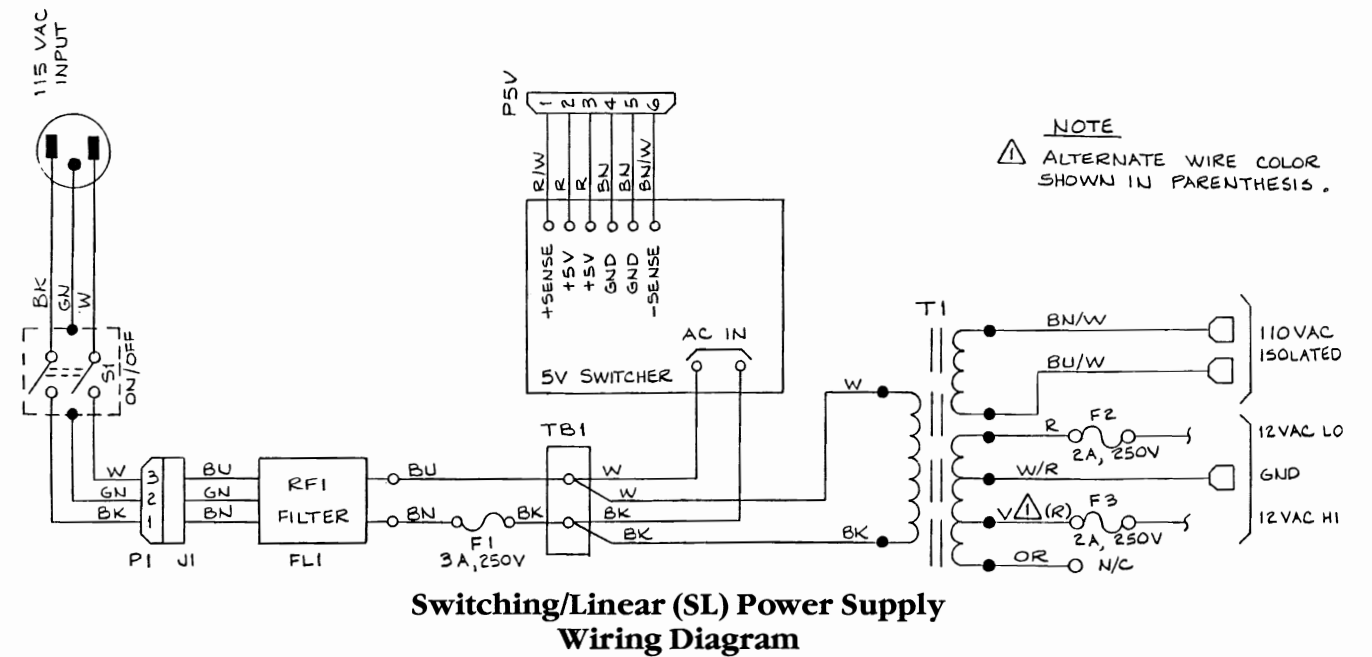
**Road Blasters™ Audio II  
PCB Schematic Diagram**

© 1987 Atari Games Corporation

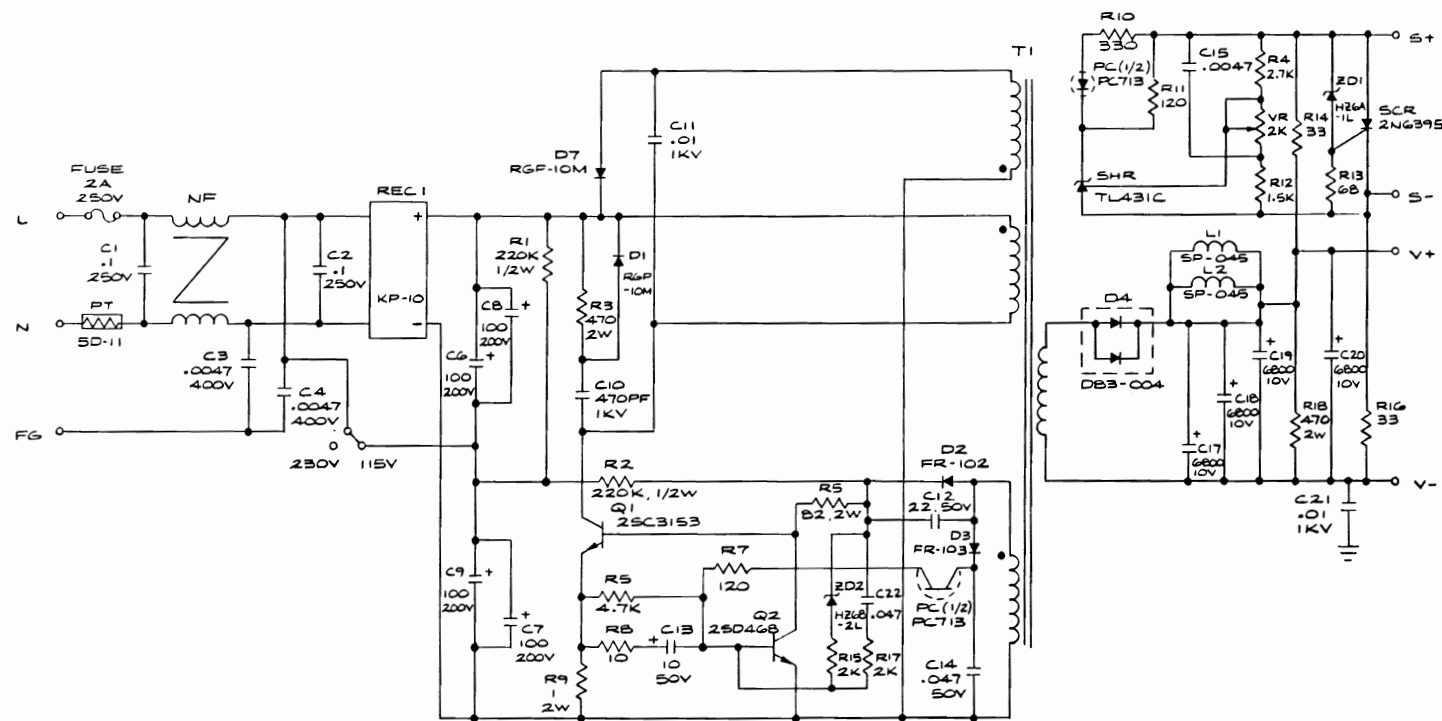
SP-298 Sheet 19  
1st printing



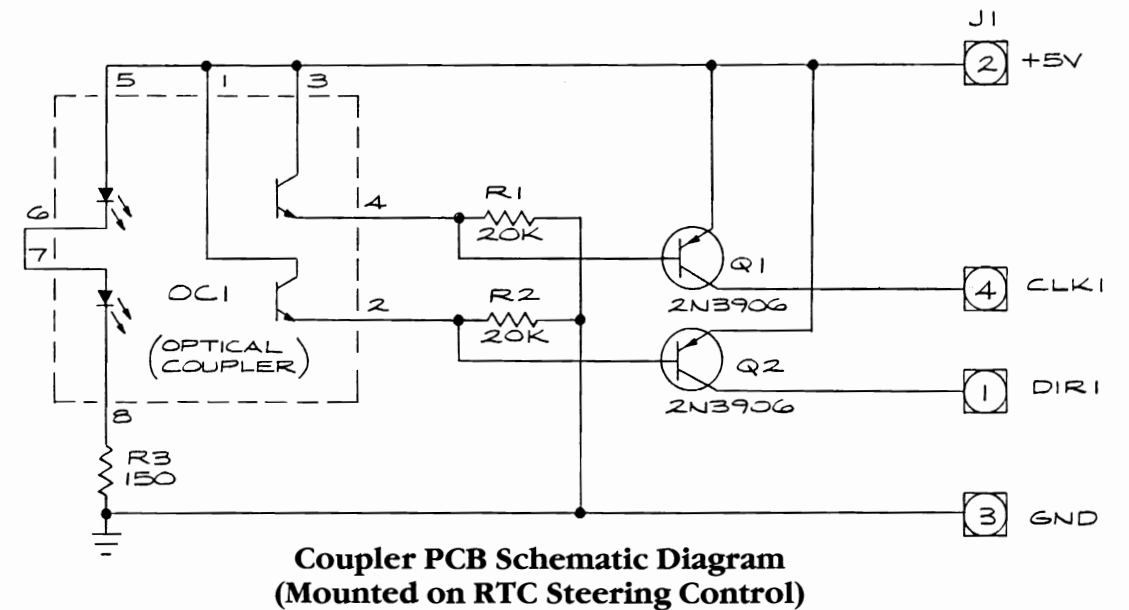
Coin Door Wiring Diagram



Switching/Linear (SL) Power Supply Wiring Diagram



Phihong 5V, 10A Switching Power Supply Wiring Diagram



Coupler PCB Schematic Diagram (Mounted on RTC Steering Control)

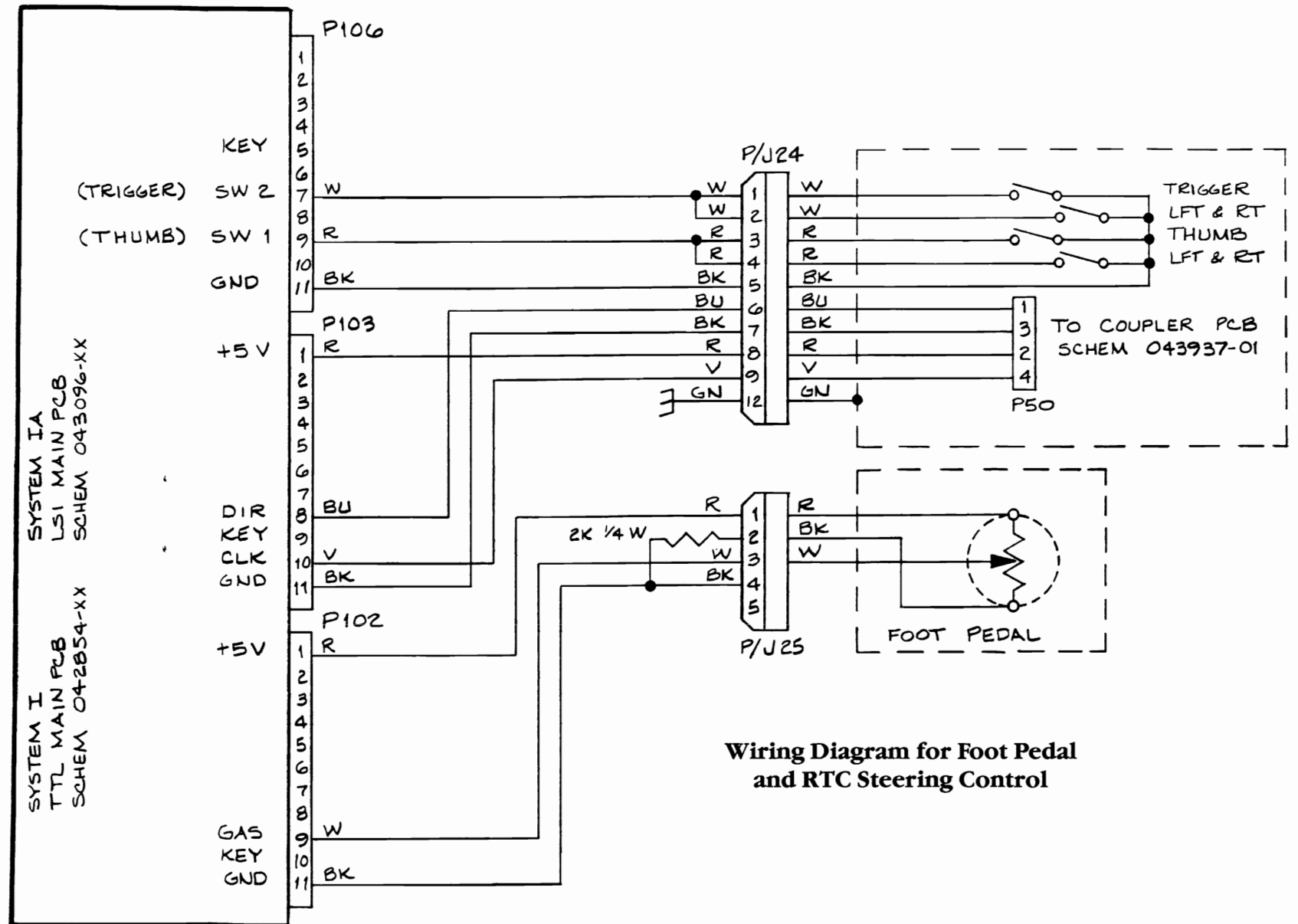
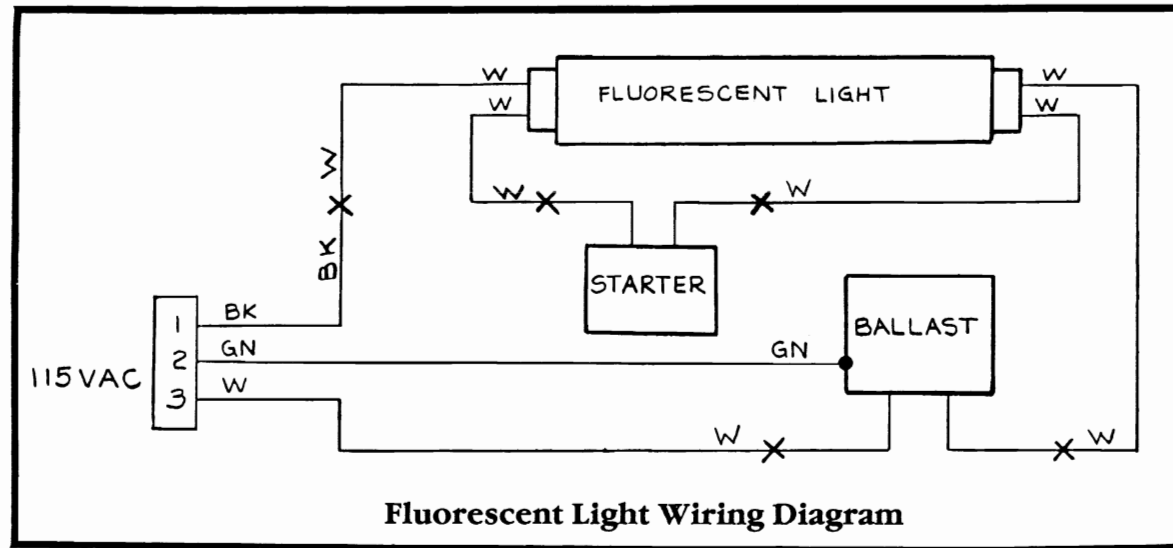
**NOTICE TO ALL PERSONS RECEIVING THIS DRAWING**  
 CONFIDENTIAL: Reproduction forbidden without the specific written permission of Atari Games Corporation, Milpitas, CA. This drawing is only conditionally issued, and neither receipt nor possession thereof confers or transfers any right in, or license to use, the subject matter of the drawing or any design or technical information shown thereon, nor any right to reproduce this drawing or any part thereof. Except for manufacture by vendors of Atari Games Corporation, and for manufacture under the corporation's written license, no right is granted to reproduce this drawing or the subject matter thereof, unless by written agreement with or written permission from the corporation.



**Wiring Diagrams for SL Power Supply, Coin Door, Phihong 5V 10A Power Supply, and Coupler PCB**

© 1987 Atari Games Corporation

SP-298 Sheet 20  
1st printing



SYSTEM IA  
LSI MAIN PCB  
SCHEM 043096-XX

SYSTEM I  
TTL MAIN PCB  
SCHEM 042854-XX

**NOTICE TO ALL PERSONS RECEIVING THIS DRAWING**  
 CONFIDENTIAL: Reproduction forbidden without the specific written permission of Atari Games Corporation, Milpitas, CA. This drawing is only conditionally issued, and neither receipt nor possession thereof confers or transfers any right in, or license to use, the subject matter of the drawing or any design or technical information shown thereon, nor any right to reproduce this drawing or any part thereof. Except for manufacture by vendors of Atari Games Corporation, and for manufacture under the corporation's written license, no right is granted to reproduce this drawing or the subject matter thereof, unless by written agreement with or written permission from the corporation.



**Wiring Diagrams for Foot Pedal, RTC Steering Control and Fluorescent Light**

© 1987 Atari Games Corporation

SP-298 Sheet 21  
1st printing



## I/O and Sound Microprocessor Memory Map

FUNCTION	HEXA- DECIMAL ADDRESS	ADDRESS BUS SIGNAL LINES															READ/ WRITE	DATA BUS SIGNAL LINES							
		A15	A14	A13	A12	A11	A10	A9	A8	A7	A6	A5	A4	A3	A2	A1		A0	D7	D6	D5	D4	D3	D2	D1
Program RAM	0000-0FFF	0	0	0	0	A	A	A	A	A	A	A	A	A	A	A	R/W	D	D	D	D	D	D	D	D
Cartridge External	1000-1FFF	0	0	0	1	A	A	A	A	A	A	A	A	A	A	A	R/W	D	D	D	D	D	D	D	D
Music	1800-1801	0	0	0	1	1	0	0	0	0	0	0	0	0	0	A	R/W	D	D	D	D	D	D	D	D
Read 68000 Port	1810	0	0	0	1	1	0	0	0	0	0	1	0	0	0	0	R	D	D	D	D	D	D	D	D
Write 68000 Port	1810	0	0	0	1	1	0	0	0	0	0	1	0	0	0	0	W	D	D	D	D	D	D	D	D
Self-Test	1820	0	0	0	1	1	0	0	0	0	1	0	0	0	0	0	R	D							
Buffer Output Full (@ 1810)		0	0	0	1	1	0	0	0	0	0	1	0	0	0	0	R				D				
Data Available (@ 1810)		0	0	0	1	1	0	0	0	0	0	1	0	0	0	0	R					D			
Auxiliary Coin Switch		0	0	0	1	1	0	0	0	0	0	1	0	0	0	0	R						D		
Left Coin Switch		0	0	0	1	1	0	0	0	0	0	1	0	0	0	0	R							D	
Right Coin Switch		0	0	0	1	1	0	0	0	0	0	1	0	0	0	0	R								D
Music Reset	1820	0	0	0	1	1	0	0	0	0	1	0	0	0	0	0	W								D
Light-Emitting Diode	1824	0	0	0	1	1	0	0	0	0	1	0	0	1	0	0	W								D
Light-Emitting Diode	1825	0	0	0	1	1	0	0	0	0	1	0	0	1	0	1	W								D
Right Coin Counter	1826	0	0	0	1	1	0	0	0	0	1	0	0	1	1	0	W								D
Left Coin Counter	1827	0	0	0	1	1	0	0	0	0	1	0	0	1	1	1	W								D
Sound Effects	1870-187F	0	0	0	1	1	0	0	0	1	1	1	A	A	A	A	R/W	D	D	D	D	D	D	D	D
Program ROM	4000-FFFF	A	A	A	A	A	A	A	A	A	A	A	A	A	A	A	R	D	D	D	D	D	D	D	D

**NOTICE TO ALL PERSONS  
RECEIVING THIS DRAWING**

CONFIDENTIAL: Reproduction forbidden without the specific written permission of Atari Games Corporation, Milpitas, CA. This drawing is only conditionally issued, and neither receipt nor possession thereof confers or transfers any right in, or license to use, the subject matter of the drawing or any design or technical information shown thereon, nor any right to reproduce this drawing or any part thereof. Except for manufacture by vendors of Atari Games Corporation, and for manufacture under the corporation's written license, no right is granted to reproduce this drawing or the subject matter thereof, unless by written agreement with or written permission from the corporation.



**Road Blasters™ I/O and Sound  
Microprocessor Memory Map**