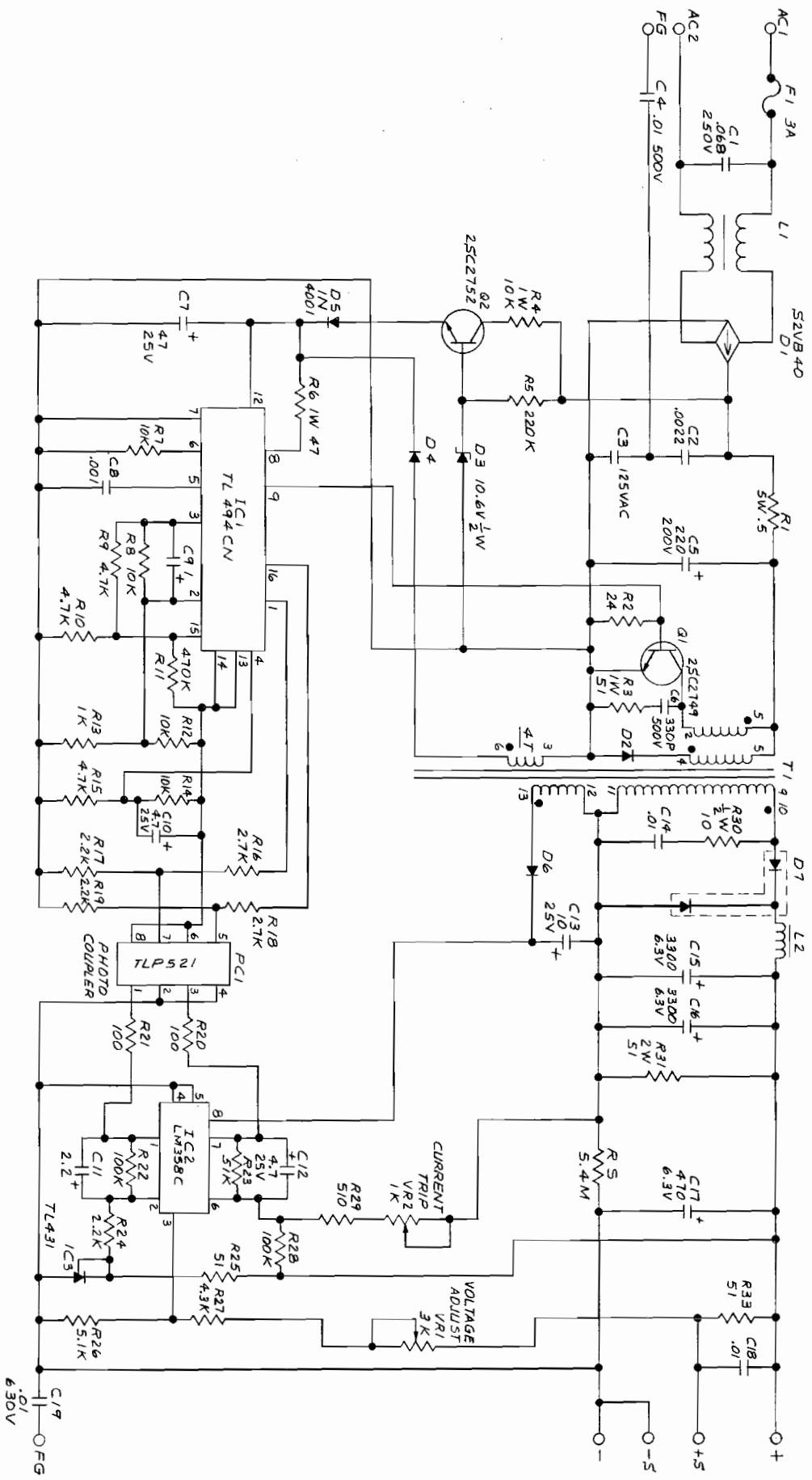


Spare Parts for DC Pack Co. Ltd. 5-Volt Power Supply (Used in the Gauntlet™ Game)

Atari Part Number	Description	Atari Part Number	Description
Capacitors			
99-208001	Capacitor, .068 μ F, 250 VAC, Ceramic	99-208033	Resistor, 5.1 k Ω , 1/4 W, Carbon
99-208002	Capacitor, .0022 μ F, 125 VAC, Ceramic	99-208034	Resistor, 4.3 k Ω , 1/4 W, Carbon
99-208003	Capacitor, .01 μ F, 500 VAC, Mica	99-208035	Resistor, 510 Ω , 1/4 W, Carbon
99-208004	Capacitor, .220 μ F, 200 VDC, Electrolytic	99-208036	Resistor, 10 Ω , 1/2 W, Carbon
99-208005	Capacitor, 330 pF, 500 VAC, Ceramic	99-208037	Resistor, 51 Ω , 2 W, Metal Film
99-208006	Capacitor, 47 μ F, 25 VDC, Electrolytic	99-208038	(Use part no. 99-208032)
99-208007	Capacitor, .001 μ F, 50 VAC, Mylar	99-208039	Shunt Resistor
99-208008	Capacitor, 1 μ F, 50 VDC, Electrolytic	99-208040	Resistor, Trim, Variable, 3 k Ω (VR1, + 5V Adjustment)
99-208009	Capacitor, 4.7 μ F, 25 VDC, Electrolytic	99-208041	Resistor, Trim, Variable, 1 k Ω (VR2, Over-Current Protection)
99-208010	Capacitor, 2.2 μ F, 50 VDC, Electrolytic	Diodes	
99-208011	Capacitor, 10 μ F, 35 VDC, Electrolytic	99-208042	Diode Bridge, S2VB40
99-208012	Capacitor, .01 μ F, 50 VAC, Mylar	99-208043	Diode, V19E
99-208013	Capacitor, 3300 μ F, 6.3 VDC, Electrolytic	99-208044	Diode, Zener, EQA01-11R
99-208014	Capacitor, 470 μ F, 10 VDC, Electrolytic	99-208045	Diode, SM-1A-02FR
99-208015	Capacitor, .01 μ F, 630 VAC, Mylar	99-208046	Diode, 1N001
Resistors			
99-208016	Resistor, .5 Ω , 5 W, Ceramic	99-208047	Diode, MA161
99-208017	Resistor, 24 Ω , 1/4 W, Carbon	99-208048	Diode, Schottky ESAC83-004
99-208018	Resistor, 51 Ω , 1 W, Metal Film	Transistors	
99-208019	Resistor, 10 k Ω , 1 W, Metal Film	99-208049	Transistor, 2SC2749
99-208020	Resistor, 220 k Ω , 1/4 W, Carbon	99-208050	Transistor, 2SC2752
99-208021	Resistor, 47 Ω , 1 W, Metal Film	Integrated Circuits	
99-208022	Resistor, 10 k Ω , 1/4 W, Carbon	99-208051	Integrated Circuit, TL494CN
99-208023	Resistor, 10 k Ω , 1/4 W, Carbon	99-208052	Integrated Circuit, μ PC358C
99-208024	Resistor, 4.7 k Ω , 1/4 W, Carbon	99-208053	Integrated Circuit, TL431CLP
99-208025	Resistor, 470 k Ω , 1/4 W, Carbon	Miscellaneous	
99-208026	Resistor, 1 k Ω , 1/4 W, Carbon	99-208054	Photo Coupler, TLP521-2-GB
99-208027	Resistor, 2.7 k Ω , 1/4 W, Carbon	99-208055	Output Transformer, 05047
99-208028	Resistor, 2.2 k Ω , 1/4 W, Carbon	99-208056	Filter, Line, ELF-18D112
99-208029	Resistor, 100 Ω , 1/4 W, Carbon	99-208057	Coil, Choke, 35-17
99-208030	Resistor, 100 k Ω , 1/4 W, Carbon	99-208058	Fuse, Miniature, 3 Amp, 125 V
99-208031	Resistor, 51 k Ω , 1/4 W, Carbon	99-208059	Fuse Holder, Clips, 85PN0829
99-208032	Resistor, 51 Ω , 1/4 W, Carbon		

For technical assistance in servicing this power supply,
call Atari Field Service at (408) 434-3950
(Monday-Friday, 7:30 am-4:00 pm Pacific time)



Schematic