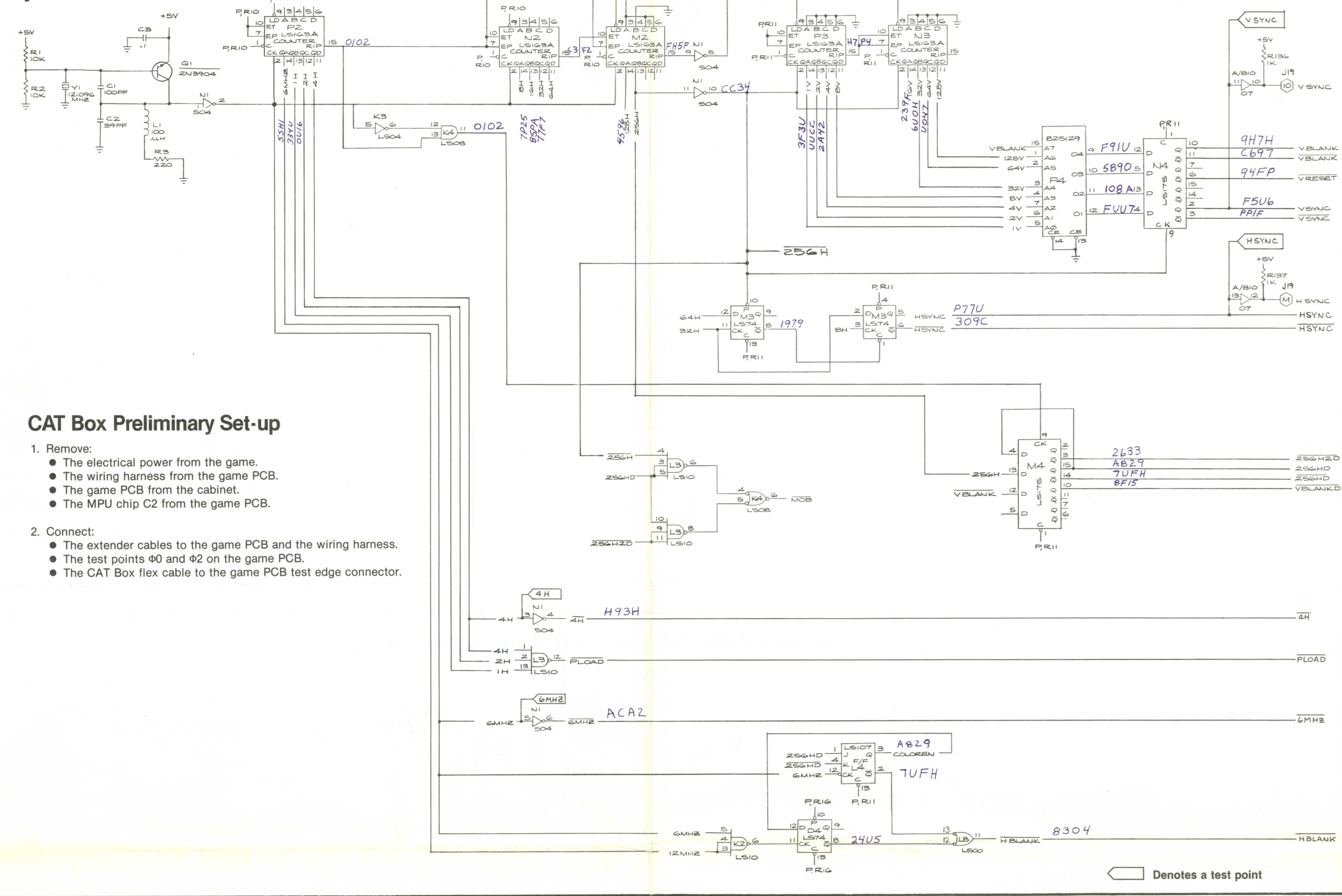


**Synchronizer**



**CAT Box Preliminary Set-up**

- Remove:
  - The electrical power from the game.
  - The wiring harness from the game PCB.
  - The game PCB from the cabinet.
  - The MPU chip C2 from the game PCB.
- Connect:
  - The extender cables to the game PCB and the wiring harness.
  - The test points #0 and #2 on the game PCB.
  - The CAT Box flex cable to the game PCB test edge connector.

Denotes a test point

**TEST CONNECTOR-FOR ATARI CAT BOX**

