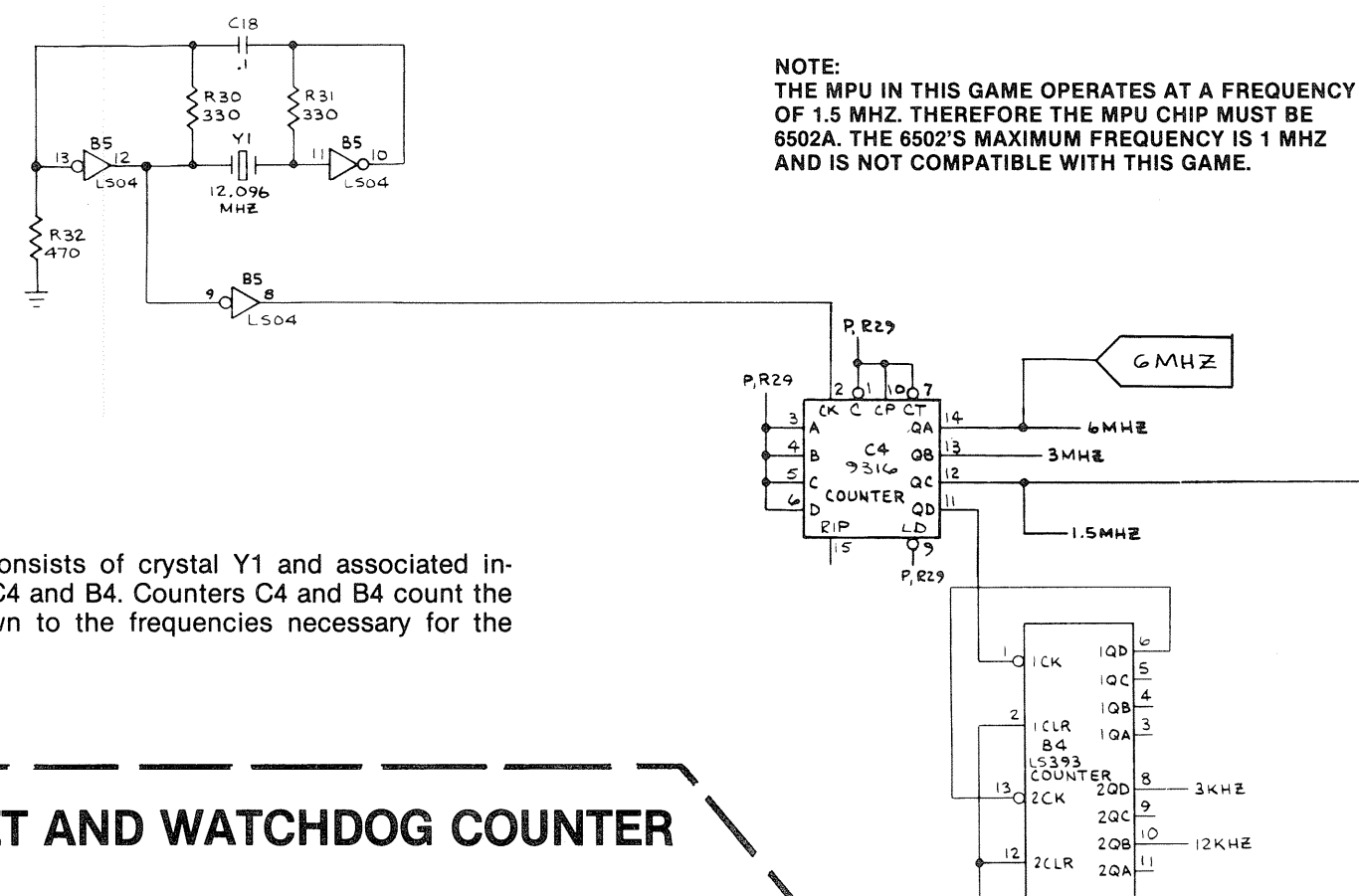
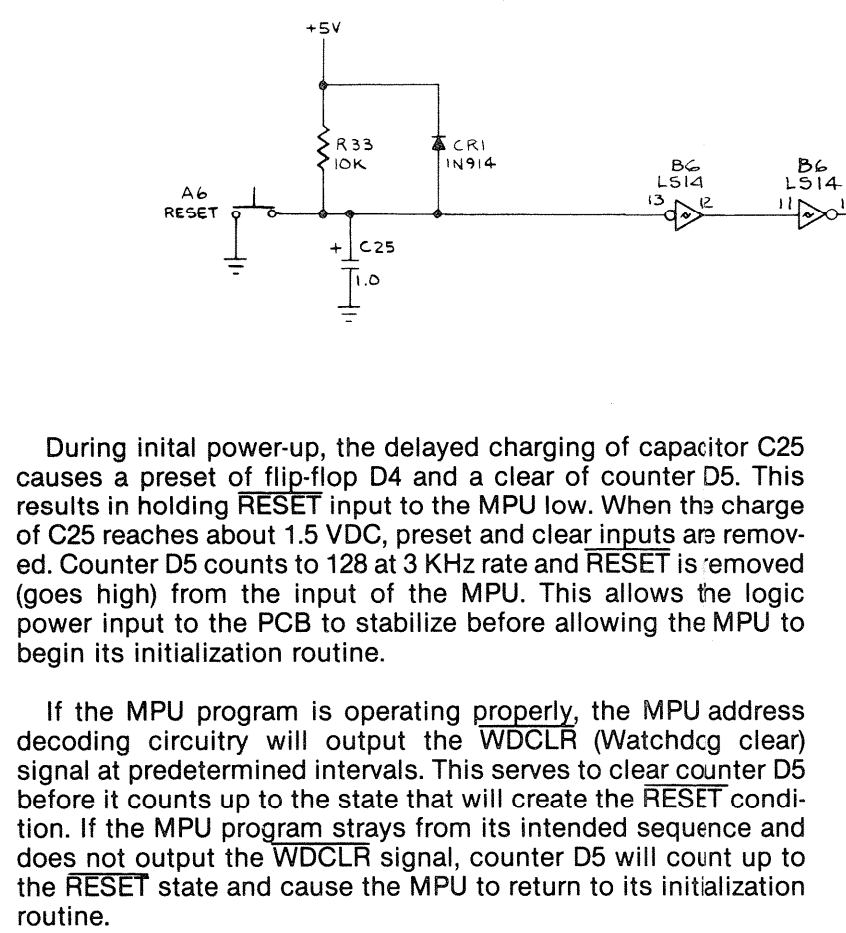


CLOCK CIRCUIT

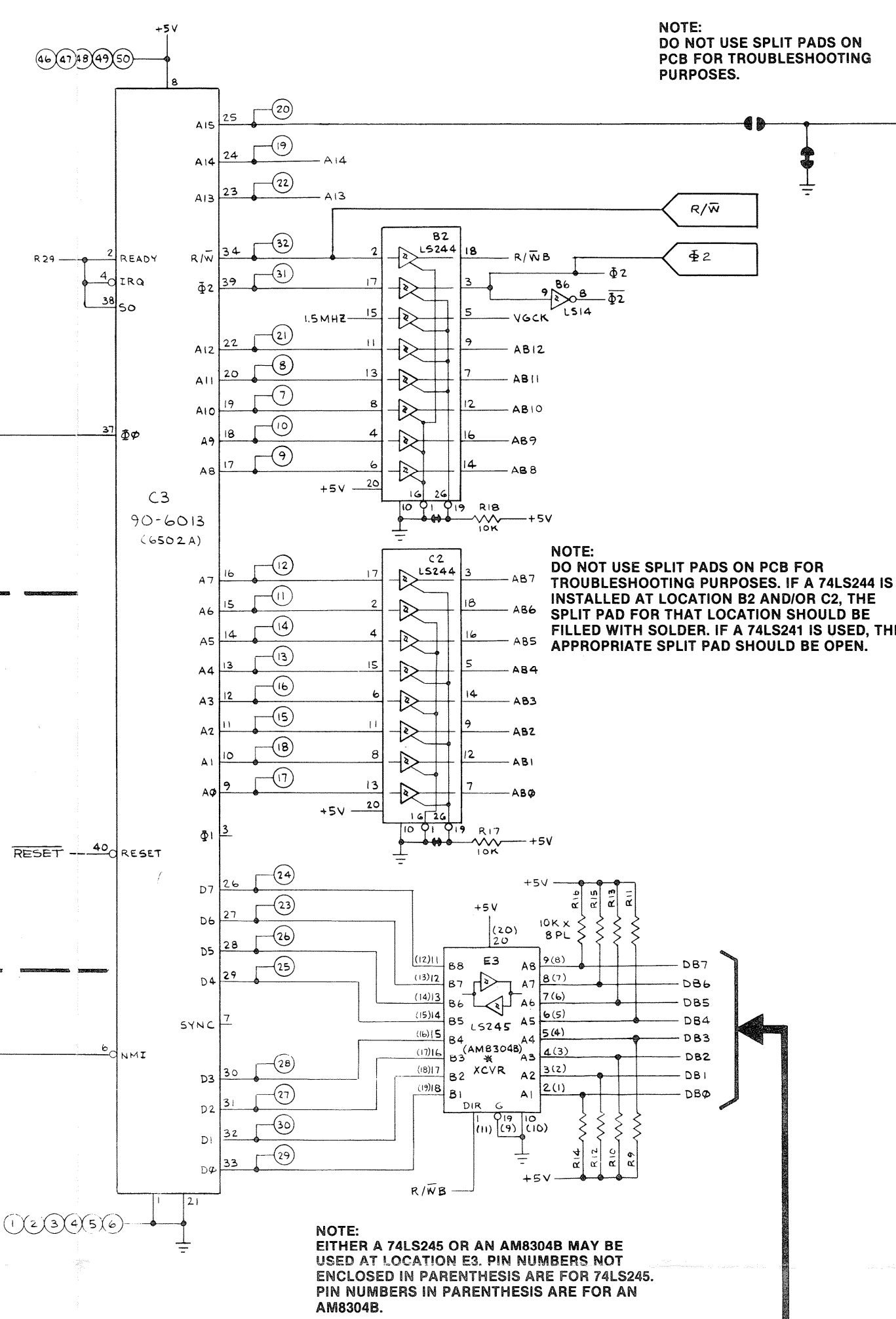


POWER RESET AND WATCHDOG COUNTER



■ denotes change by indicated revision
◁ denotes a test point

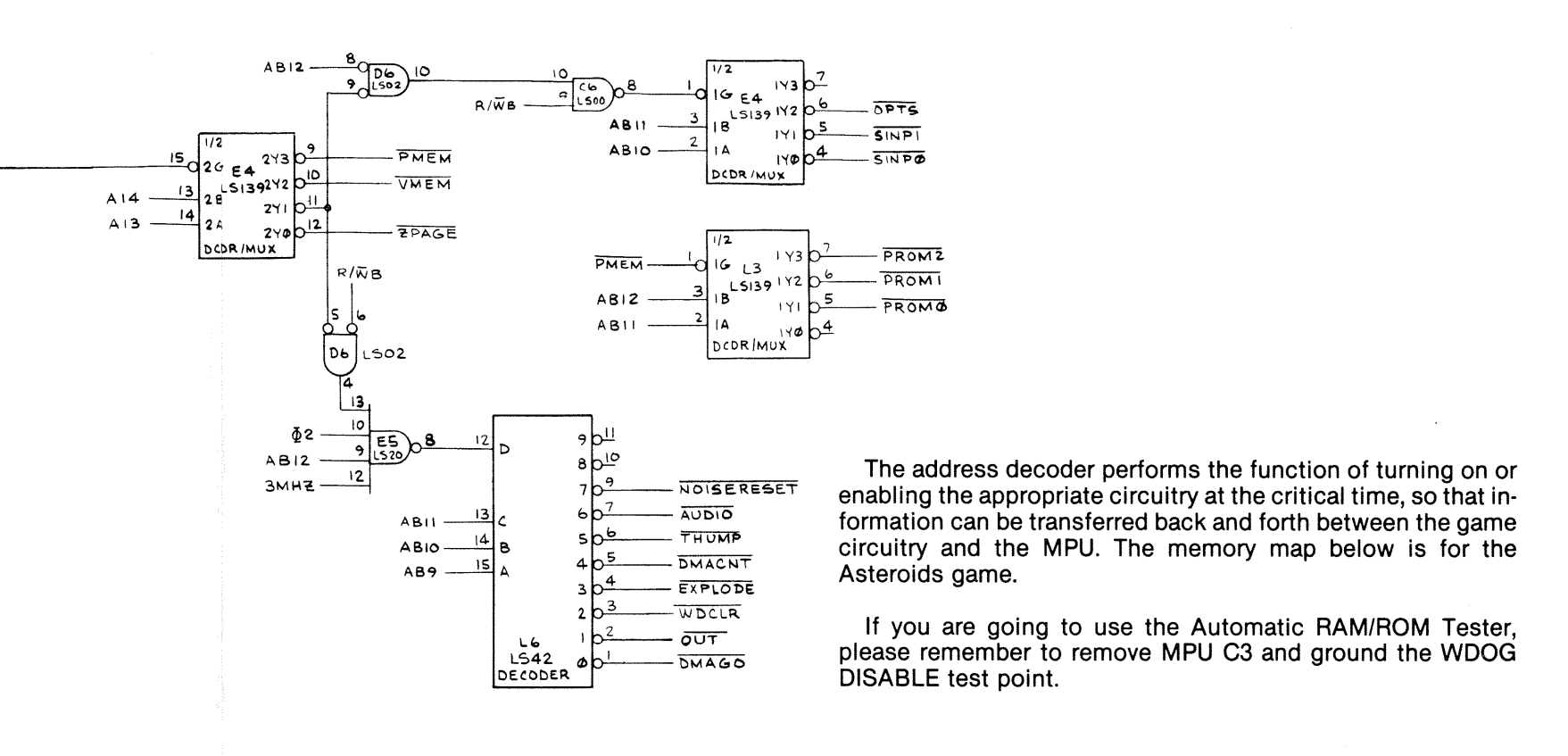
MPU CIRCUITRY



NMI COUNTER

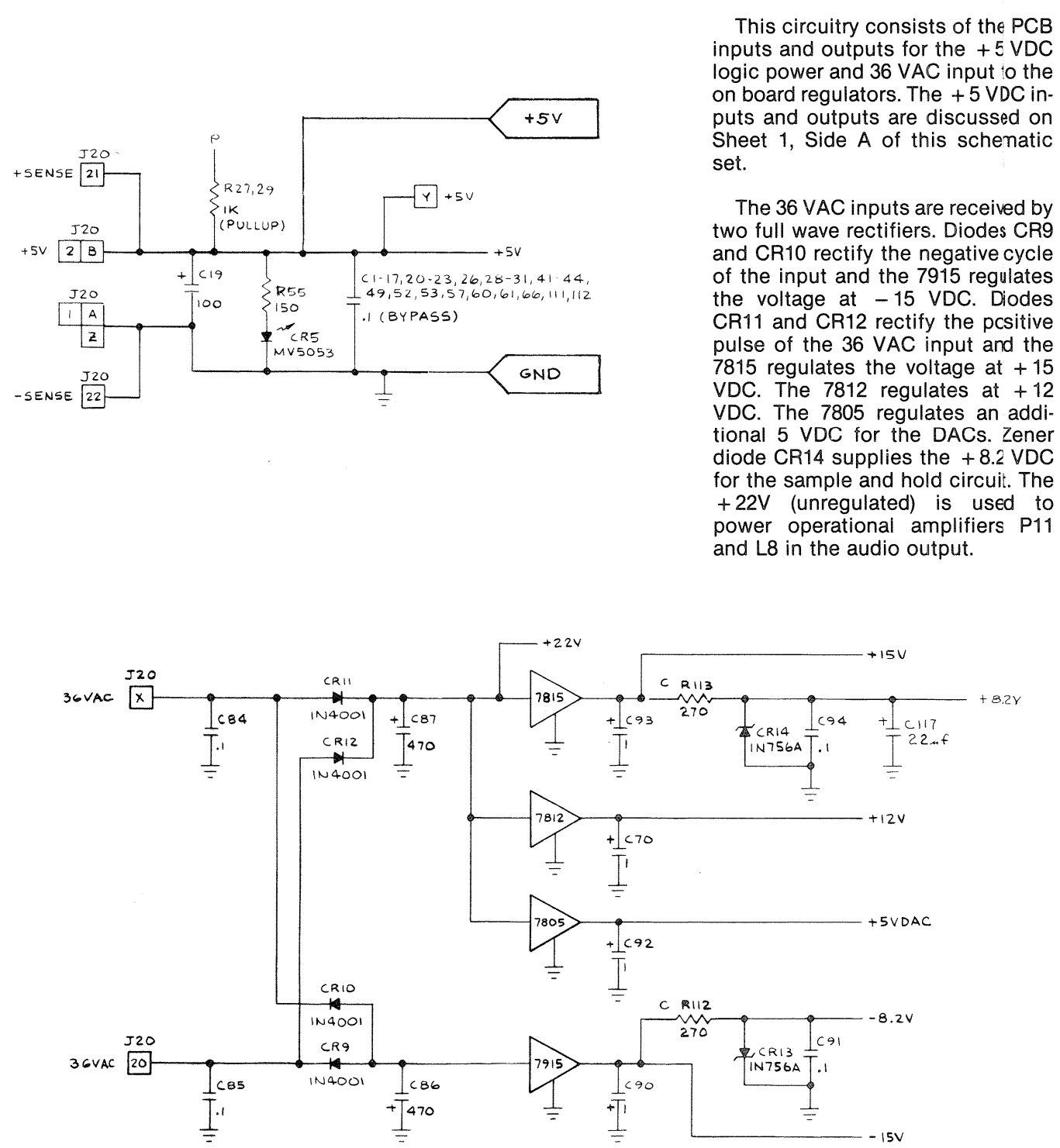
The NMI (non-maskable interrupt) counter causes an interrupt at the NMI input of the MPU every 4 msec. The interrupt is disrupted by dividing 3 KHz by a factor of 12 through counter C5. The interrupt occurs when pin 6 of inverter B5 goes low. During power-up, the NMI counter is disabled by RESET. During Self-Test, the NMI is disabled by TEST.

ADDRESS DECODING CIRCUITRY

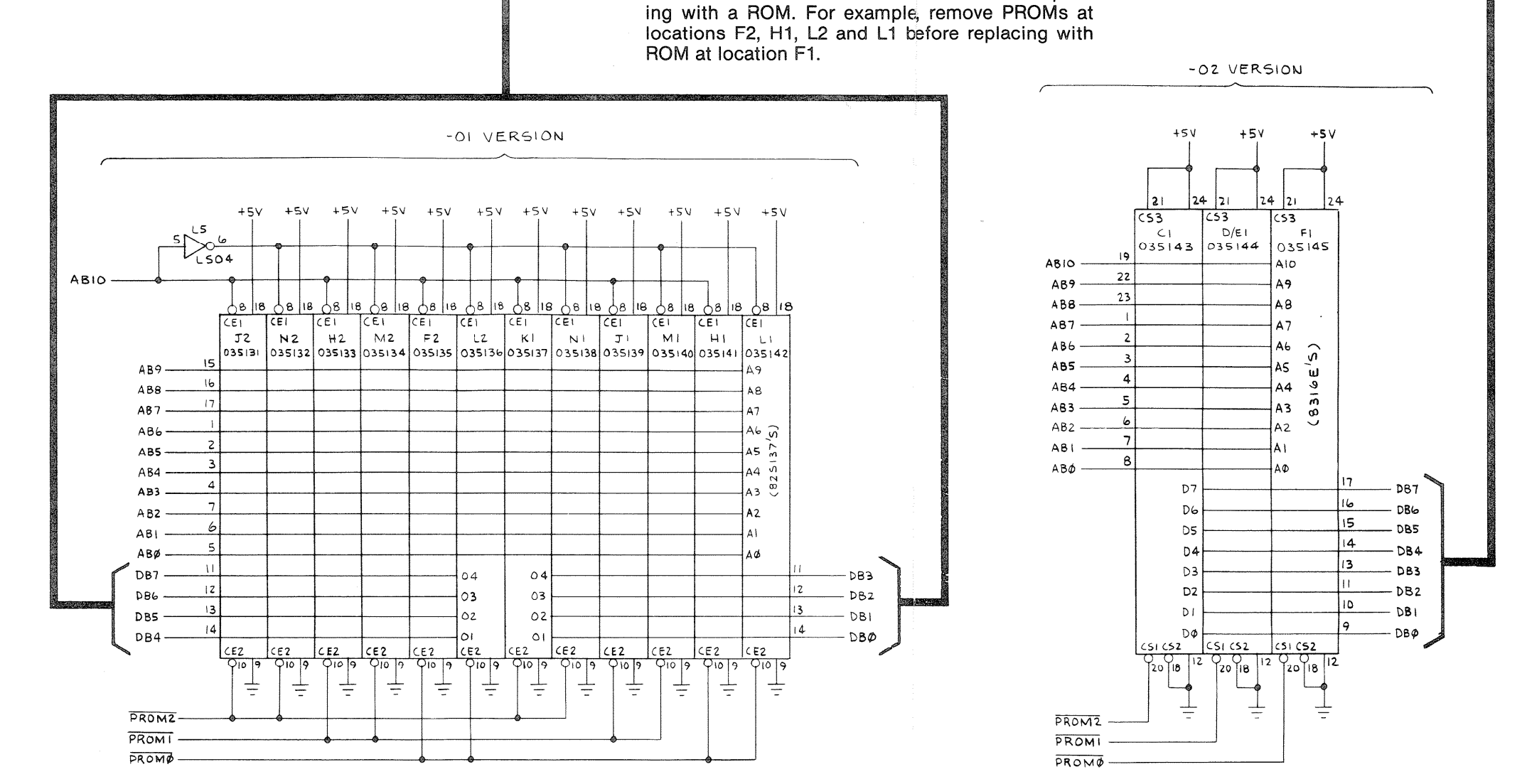


HEXADDECIMAL	A15	A14	A13	A12	A11	A10	A9	A8	A7	A6	A5	A4	A3	A2	A1	A0	R/W	D7	D6	D5	D4	D3	D2	D1	D0	FUNCTION	
0000-01FF	0	0	0	0	0	0	0	1	A	A	A	A	A	A	A	A	D	D	D	D	D	D	D	D	D	ZERO & ONE PAGE RAM	
0200-02FF	0	0	0	0	0	1	0	A	A	A	A	A	A	A	A	A	D	D	D	D	D	D	D	D	D	PLAYER 1 RAM	
0300-03FF	0	0	0	0	1	1	A	A	A	A	A	A	A	A	A	A	D	D	D	D	D	D	D	D	D	PLAYER 2 RAM	
2001	0	1	0	0	0	0	0	0	0	0	0	0	0	0	0	0	R	D								3 KHz	
2002	0	1	0	0	0	0	0	0	0	0	0	0	0	0	0	0	R	D								HALT	
2003	0	1	0	0	0	0	0	0	0	0	0	0	0	0	0	0	R	D								HYPERSPACE SW	
2004	0	1	0	0	0	0	0	0	0	0	0	0	0	0	0	0	R	D								FIRE SW	
2005	0	1	0	0	0	0	0	0	0	0	0	0	0	0	0	0	R	D								DIAG. STEP	
2006	0	1	0	0	0	0	0	0	0	0	0	0	0	0	0	0	R	D								SLAM SW	
2007	0	1	0	0	0	0	0	0	0	0	0	0	0	0	0	0	R	D								SELF TEST SW	
2400	0	1	0	0	0	0	0	0	0	0	0	0	0	0	0	0	R	D								LEFT COIN SW	
2401	0	1	0	0	0	0	0	0	0	0	0	0	0	0	0	0	R	D								CENTER COIN SW	
2402	0	1	0	0	0	0	0	0	0	0	0	0	0	0	0	0	R	D								RIGHT COIN SW	
2403	0	1	0	0	0	0	0	0	0	0	0	0	0	0	0	0	R	D								1 PLYR START SW	
2404	0	1	0	0	0	0	0	0	0	0	0	0	0	0	0	0	R	D								2 PLYR START SW	
2405	0	1	0	0	0	0	0	0	0	0	0	0	0	0	0	0	R	D								THRUST SW	
2406	0	1	0	0	0	0	0	0	0	0	0	0	0	0	0	0	R	D								ROT RIGHT SW	
2407	0	1	0	0	0	0	0	0	0	0	0	0	0	0	0	0	R	D								ROT LEFT SW	
2800	0	1	0	0	0	0	0	0	0	0	0	0	0	0	0	0	R	D									OPT SW (SW6, SW7)
2801	0	1	0	0	0	0	0	0	0	0	0	0	0	0	0	0	R	D									OPT SW (SW8, SW9)
2802	0	1	0	0	0	0	0	0	0	0	0	0	0	0	0	0	R	D									OPT SW (SW4, SW5)
2803	0	1	0	0	0	0	0	0	0	0	0	0	0	0	0	0	R	D									OPT SW (SW2, SW1)
3000	0	1	1	0	0	0	0	0	0	0	0	0	0	0	0	0	W										DMAGO
3200	0	1	1	0	0	0	0	0	0	0	0	0	0	0	0	0	W										2 PLYR START LAMP
3201	0	1	1	0	0	0	0	0	0	0	0	0	0	0	0	0	W										RAMSEL
3202	0	1	1	0	0	0	0	0	0	0	0	0	0	0	0	0	W										COIN CNTRC LEFT
3203	0	1	1	0	0	0	0	0	0	0	0	0	0	0	0	0	W										COIN CNTRC CENTER
3204	0	1	1	0	0	0	0	0	0	0	0	0	0	0	0	0	W										COIN CNTRC RIGHT
3600	0	1	1	0	0	0	0	0	0	0	0	0	0	0	0	0	W										WDCLR
3601	0	1	1	0	0	0	0	0	0	0	0	0	0	0	0	0	W	D	D	D	D	D	D	D	D		EXPLOSION PITCH
3602	0	1	1	0	0	0	0	0	0	0	0	0	0	0	0	0	W	D	D	D	D	D	D	D	D		EXPLOSION VOLUME
3603	0	1	1	0	0	0	0	0	0	0	0	0	0	0	0	0	W	D	D	D	D	D	D	D	D		THUMP VOLUME
3604	0	1	1	0	0	0	0	0	0	0	0	0	0	0	0	0	W	D	D	D	D	D	D	D	D		THUMP FREQUENCY
3C00	0	1	1	1	0	0	0	0	0	0	0	0	0	0	0	0	W	D	D	D	D	D	D	D	D		SAUCER SOUND
3C01	0	1	1	1	0	0	0	0	0	0	0	0	0	0	0	0	W	D	D	D	D	D	D	D	D		SAUCER FIRE SOUND
3C02	0	1	1	1	0	0	0	0	0	0	0	0	0	0	0	0	W	D	D	D	D	D	D	D	D		SAUCER SOUND SELECT
3C03	0	1	1	1	0	0	0	0	0	0	0	0	0	0	0	0	W	D	D	D	D	D	D	D	D		SHIP THRUST SOUND
3C04	0	1	1	1	0	0	0	0	0	0	0	0	0	0	0	0	W	D	D	D	D	D	D	D	D		SHIP FIRE SOUND
3C05	0	1	1	1	0	0	0	0	0	0	0	0	0	0	0	0	W	D	D	D	D	D	D	D	D		LIFE SOUND
3E00	0	1	1	1	1	0	0	0	0	0	0	0	0	0	0	0	W	D	D	D	D	D	D	D	D		NOISE RESET
4000-47FF	1	0	0	0	0	0	0	A	A	A	A	A	A	A	A	A	D	D	D	D	D	D	D	D	D		VECTOR RAM
5000-5FFF	1	0	0	0	0	0	0	A	A	A	A	A	A	A	A	A	D	D	D	D	D	D	D	D	D		VECTOR PROM
6800-7FFF	1	1	0	0	0	0	0	A	A	A	A	A	A	A	A	A	D	D	D	D	D	D	D	D	D		PROGRAM

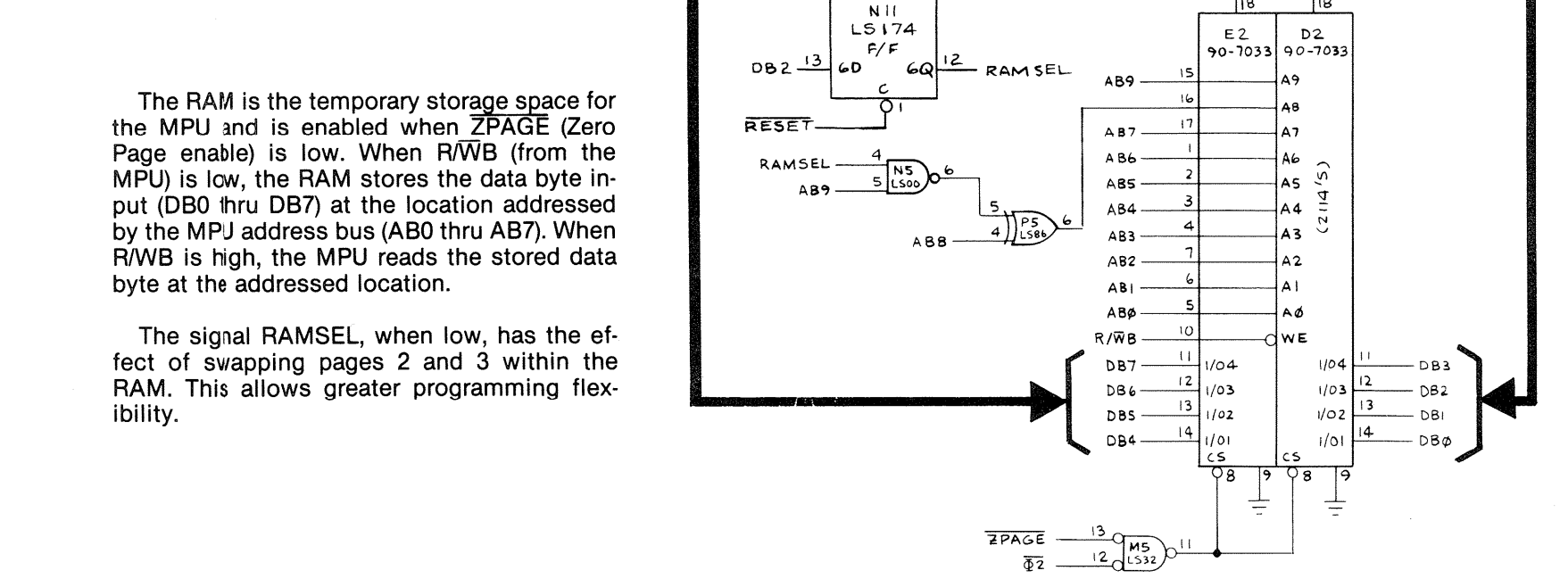
POWER INPUT



ROM/PROM CIRCUITRY



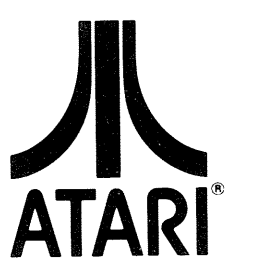
RAM CIRCUITRY



Memory Components and Their Equivalents (Locations Shown in Bold)

-01 P.C. Boards (PROMs)	Alternate -01 P.C. Boards (PROMs)	-02 P.C. Boards (ROMs)
035131-01 J2	035150-01 J2	
035132-01 N2		035143-01 C1
035137-01 K1		
035138-01 N1	035153-01 K1	
035133-01 H2		
035134-01 M2	035151-01 H2	
035139-01 J1		035144-01 D/E1
035140-01 M1	035154-01 J1	
035135-01 F2		
035136-01 L2	035152-01 F2	
035141-01 H1		035145-01 F1
035142-01 L1	035155-01 H1	

NOTICE TO ALL PERSONS RECEIVING THIS DRAWING:
CONFIDENTIAL: Reproduction, without the specific written permission of Atari, Inc., is prohibited. This drawing is only conditionally stated and does not constitute an offer of any product or service. No part of this drawing may be reproduced in any form or by any means, except as may be permitted in writing by Atari, Inc. or its authorized agents. No part of this drawing may be reproduced in any form or by any means, except as may be permitted in writing by Atari, Inc. or its authorized agents. No part of this drawing may be reproduced in any form or by any means, except as may be permitted in writing by Atari, Inc. or its authorized agents.



Sheet 1, Side B
ASTEROIDS/CABARET
Microprocessor
Section of 034986-XX G