

BULLETIN

From Atari Field Service



DATE MAY 18, 1984

MAJOR HAVOC™ KITS

ALL KITS - TEMPEST™, SPACE DUEL™, GRAVITAR™, AND BLACK WIDOW™

1. RESISTOR R186, A 1K OHM $\frac{1}{4}$ WATT, IS MISSING ON SOME REV B KIT BOARDS. IT IS LOCATED NEAR THE LETA CHIP (137304-1001) AT LOCATION 12N, UNDERNEATH THE QUAD POKEY ADAPTER BOARD ON THE MAIN LOGIC BOARD. THE SYMPTOM IF THE RESISTOR IS NOT LOADED IS VERY SLOW MOVEMENT OF MAJOR HAVOC BY THE WHIRLEY-GIG. THE ADDED RESISTOR DOUBLES THE RESPONSE.
2. A FEW UNMODIFIED MAJOR HAVOC BOARDS MAY HAVE BEEN SENT OUT WITHOUT THE FOLLOWING MODIFICATION:

THERE SHOULD BE TWO JUMPER WIRES ON THE COMPONENT SIDE OF THE BOARD:

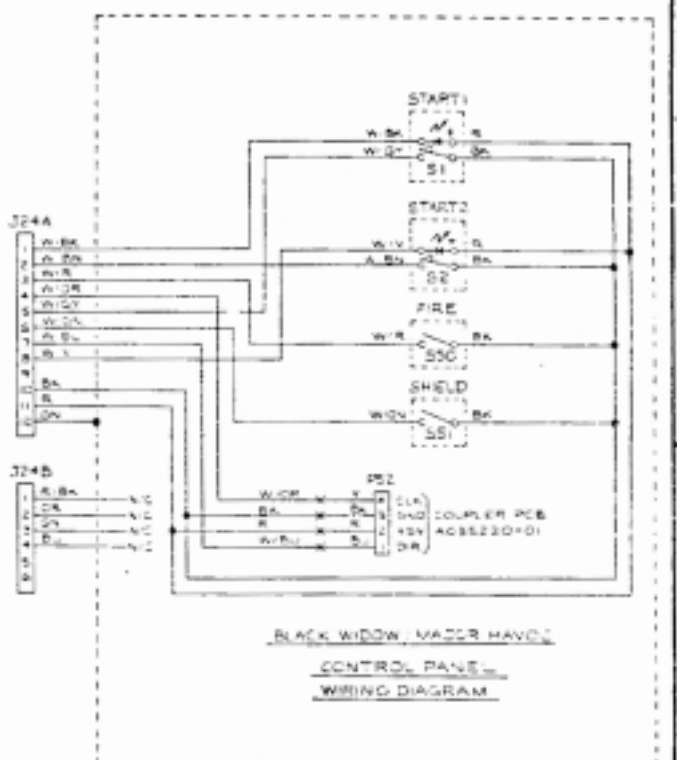
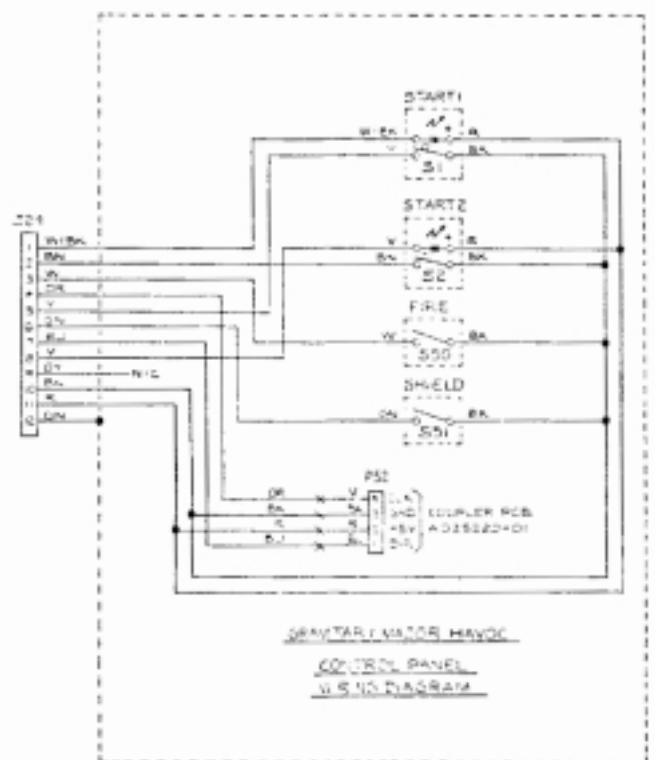
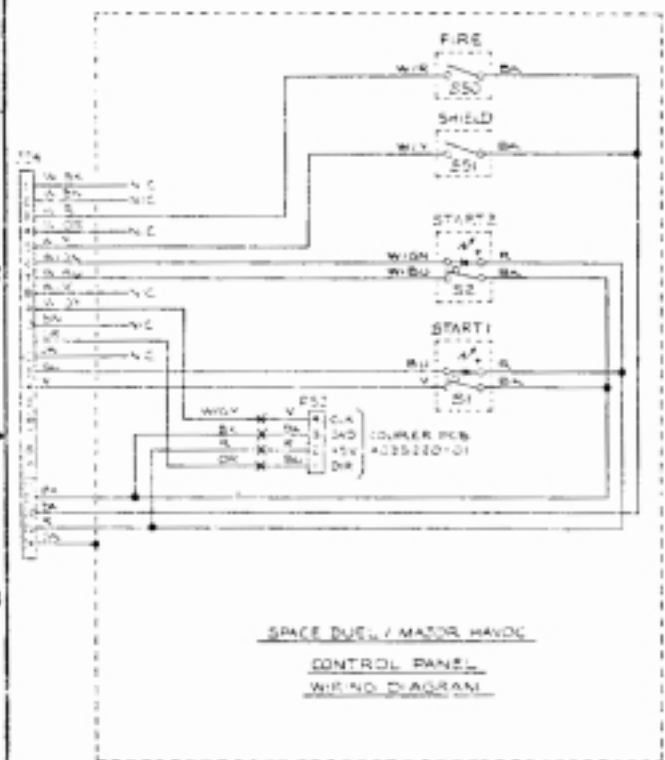
- A. FROM 12D PIN 7 TO J19 PIN M
- B. AND 12A/B PIN 7 TO J19 PIN N

CUT THE GROUND PAD FROM CONNECTOR PINS M AND N.
IF THIS IS NOT DONE, THE SYMPTOM WILL BE NO VIDEO.

KITS - SPACE DUEL, GRAVITAR, AND BLACK WIDOW ONLY

3. PLEASE NOTE THE CONTROL PANEL WIRING DIAGRAM FOR SPACE DUEL, GRAVITAR, AND BLACK WIDOW CONVERSION KITS IS INCLUDED WITH THIS BULLETIN. IT IS REFERRED TO ON PAGE 22 OF THE INSTRUCTION MANUAL TM268 BUT WAS NOT INCLUDED IN THE KITS.

F.Y.I. - THE FIRST TWO SECRET WARP CODES ARE 23 AND 46 RESPECTIVELY.



ATARI HOME ENTERTAINMENT SYSTEMS, INC. 1300 W. 14TH AVENUE BERKELEY, CALIF. 94710	
CONTROL PANEL WIRING DIAGRAM MAJOR HAVOC KIT PART NO. D040579-01	
PART NO. D040579-01 REV. A	DATE 1982 BY ... CHKD ...