

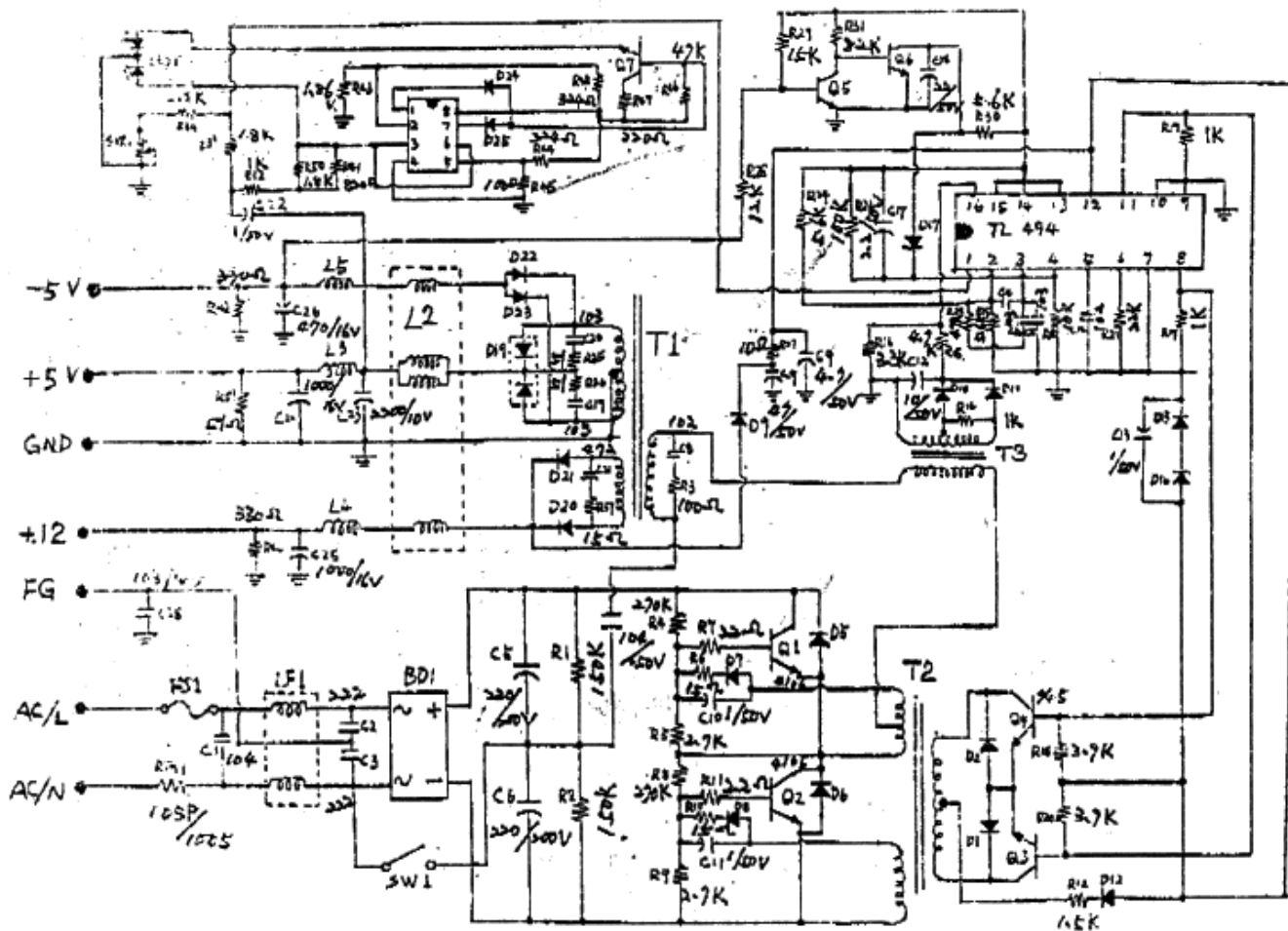


Issued 7-9-1993

Power Supply Schematic for Model # 30820

+5V @ 12 AMP
+12V @ 2 AMP
-5V @ 1 AMP

TEK BILT (SERVICE DEPT)
1-800-666-7776
IN PENNSYLVANIA



30920 (15 AMP)
30820 (12 AMP)

T1
817-1503140 D