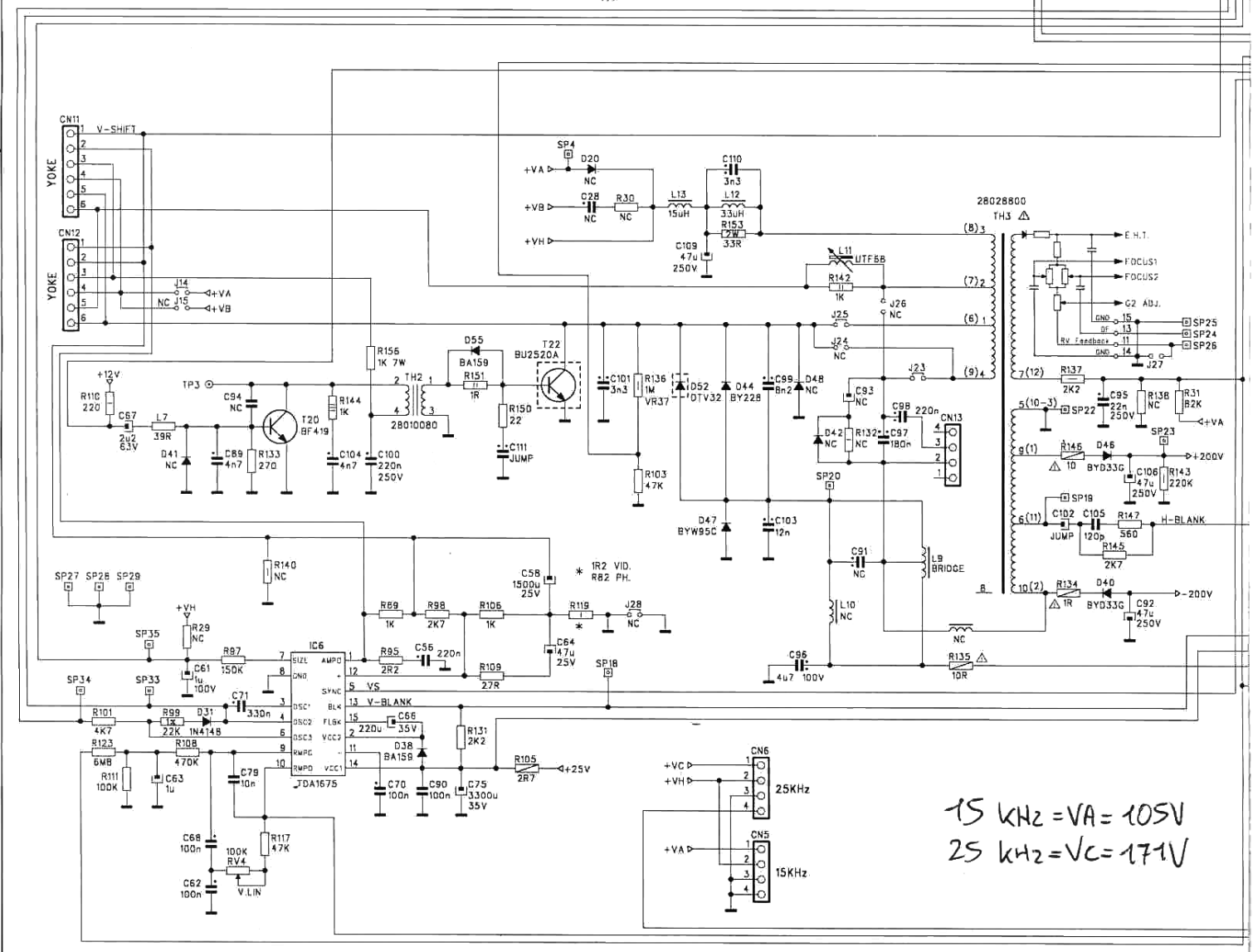
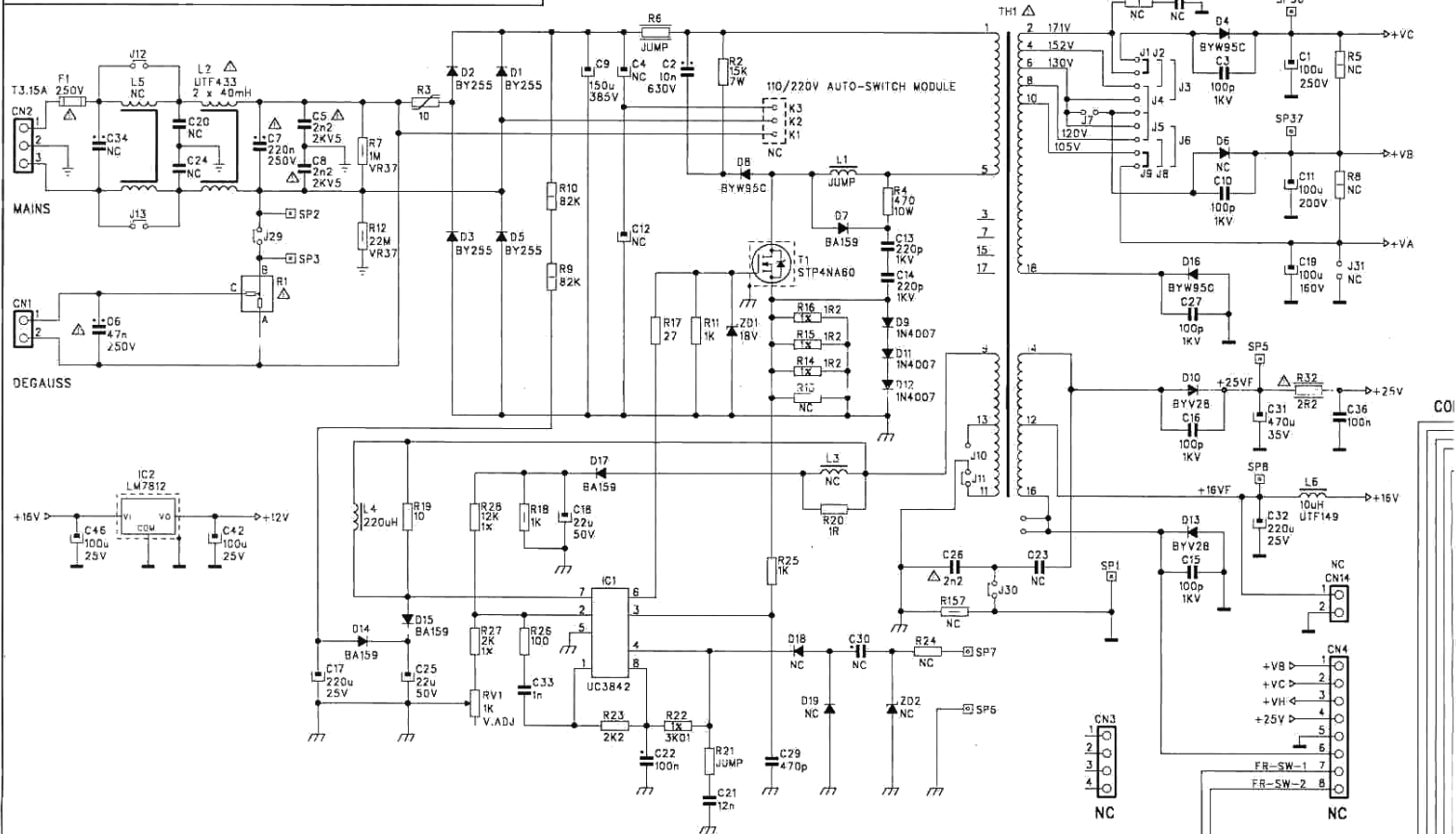


**SCHEMATIC NOTES**



15 kHz = VA = 105V  
 25 kHz = VC = 171V

