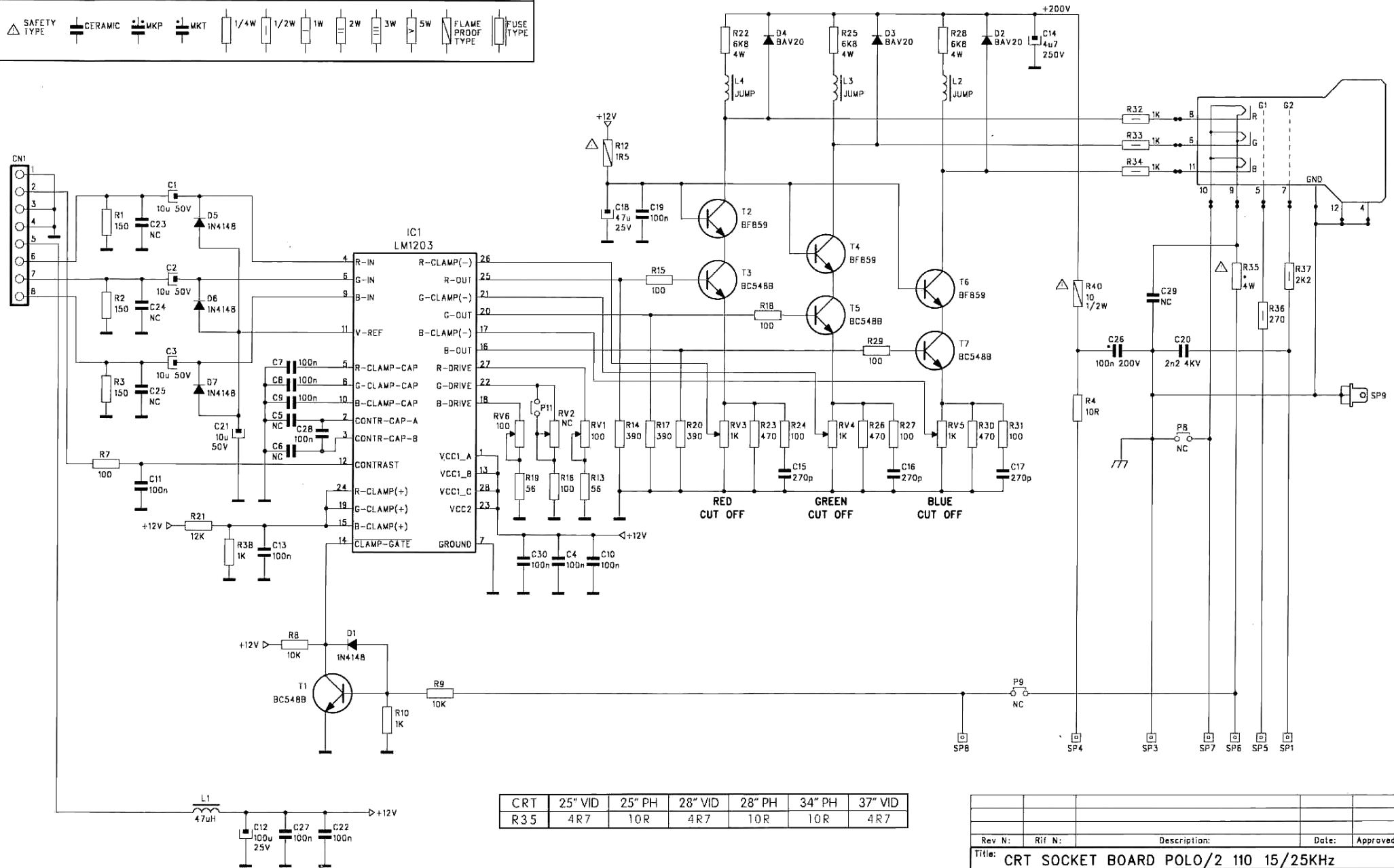
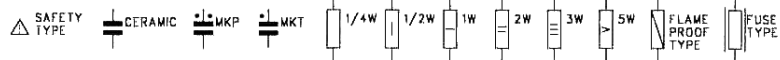


**SCHEMATIC NOTES**



CRT	25" VID	25" PH	28" VID	28" PH	34" PH	37" VID
R35	4R7	10R	4R7	10R	10R	4R7

Rev N:	Rif N:	Description:	Date:	Approved:
Title: CRT SOCKET BOARD POLO/2 110 15/25KHz				
<b>HANTAREX</b>		File name:	Document number:	
ELECTRONIC SYSTEMS		JF02-4.sch	53892440	
MADE BY		PCB code:	Date:	
<b>SAMBERS ITALIA S.p.A.</b>		50140890	16/12/98	
Sheet 1 of 1		PCB file:	Designed:	
		JF02.drw	V.G.	
		Approved:		