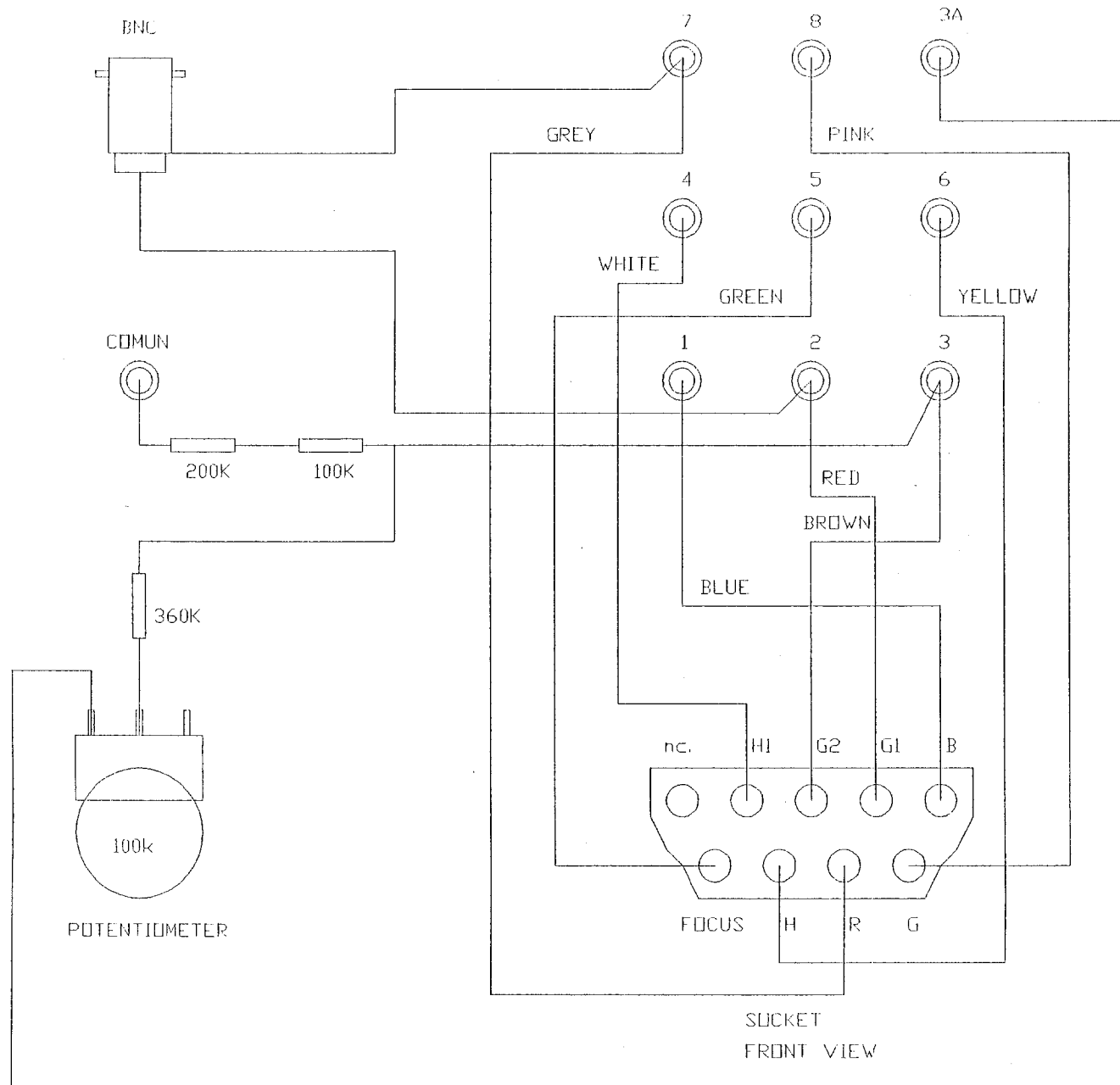
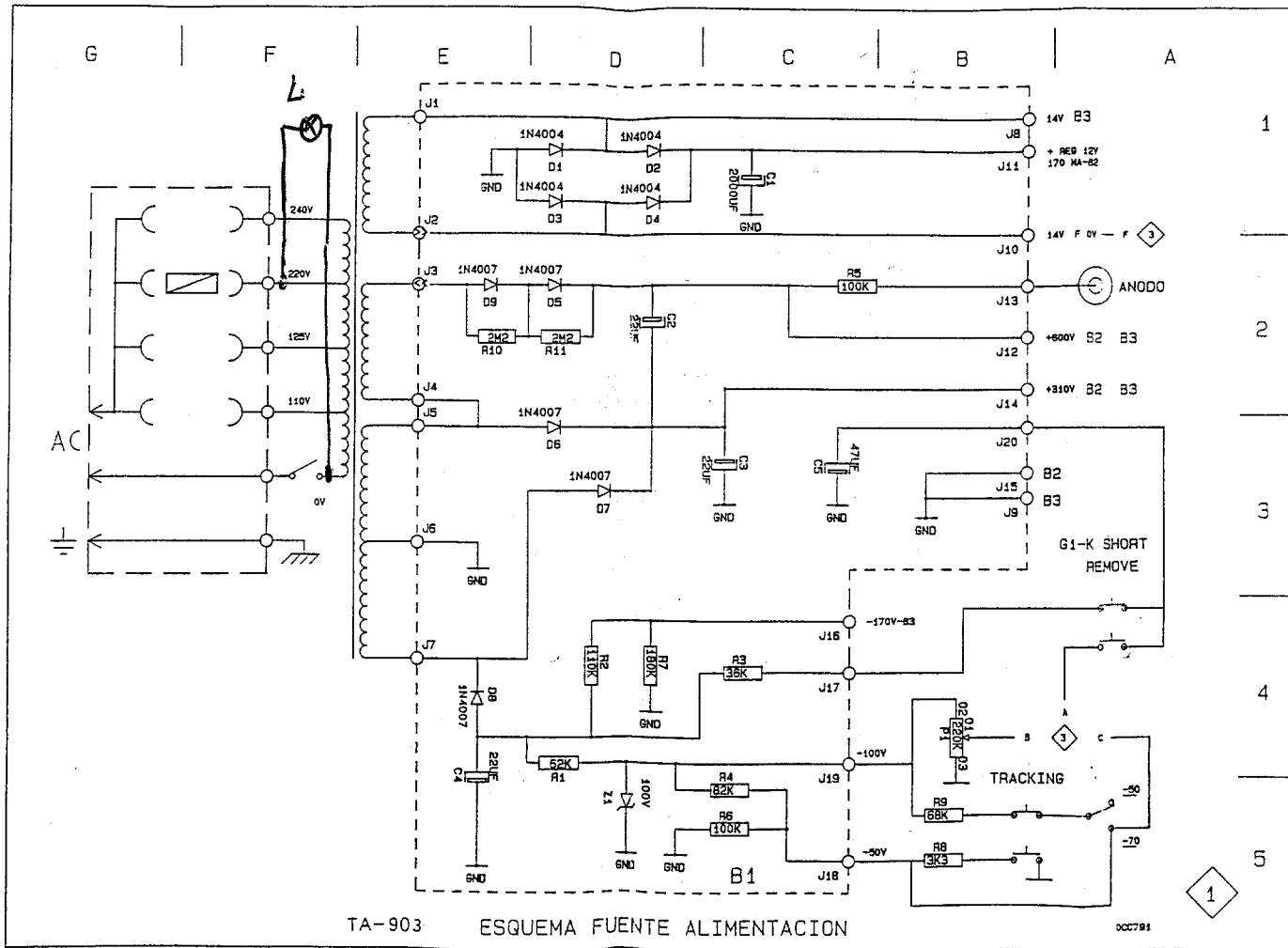


# TEST FIXTURE :





G

F

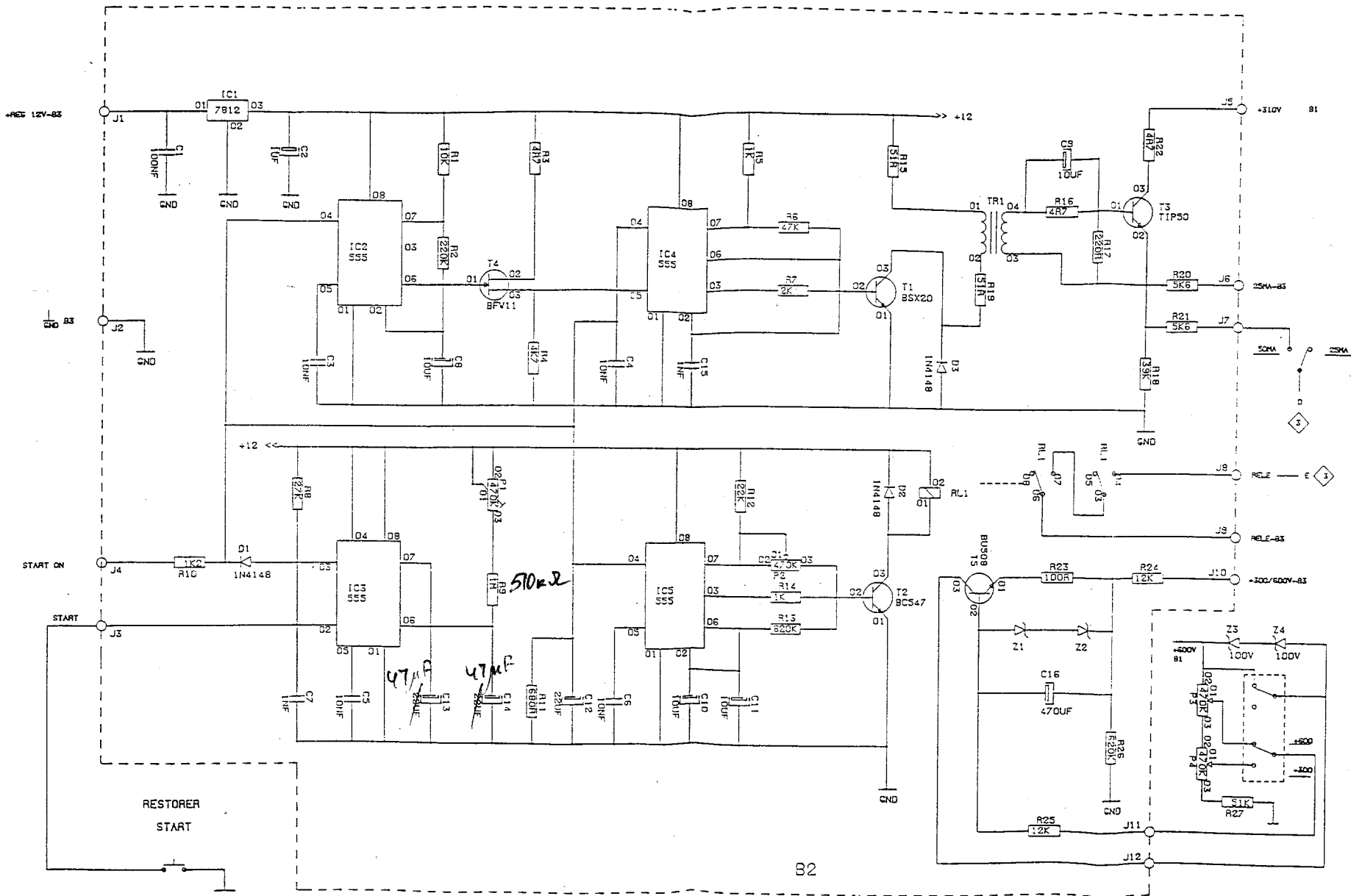
E

D

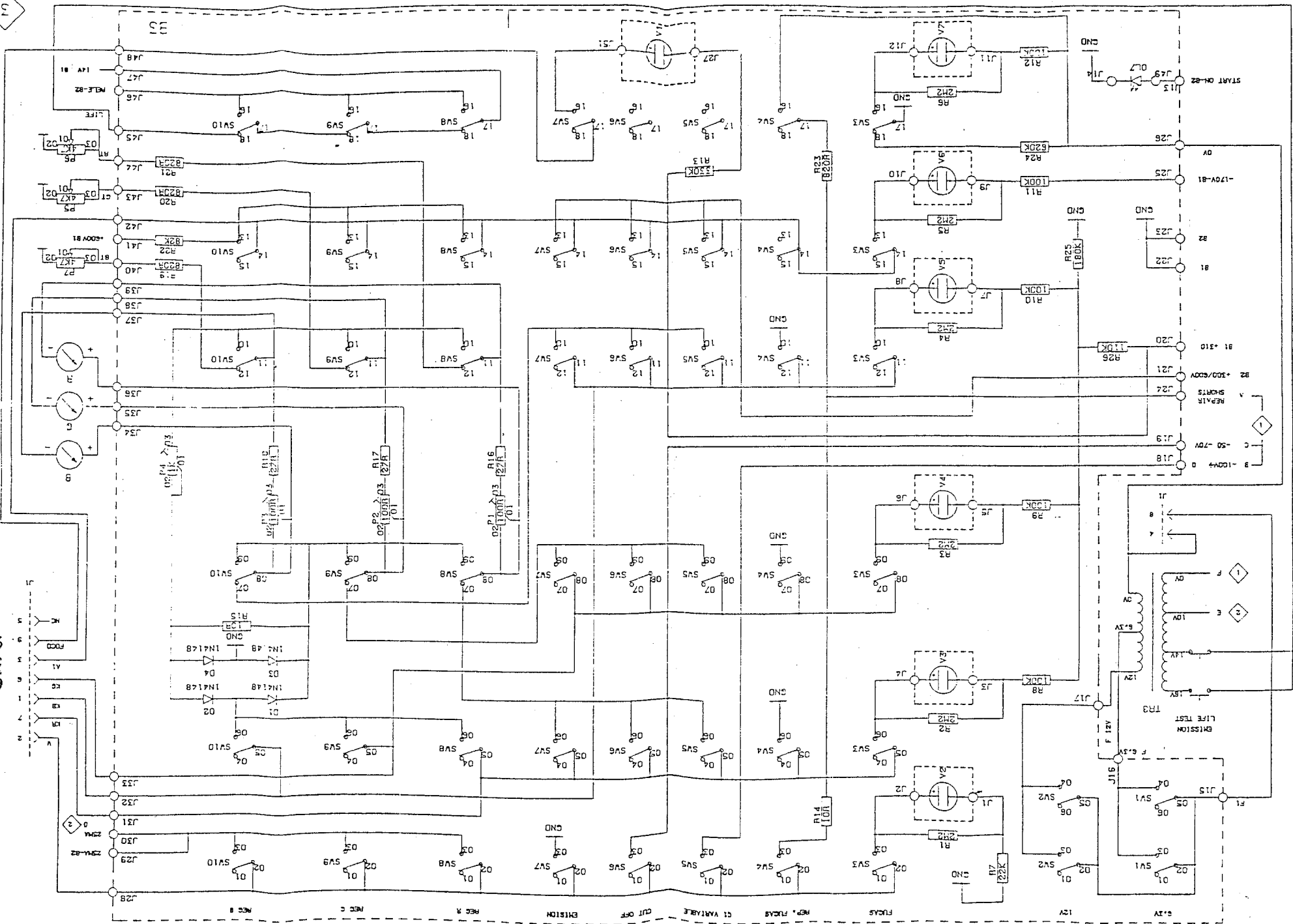
C

B

A



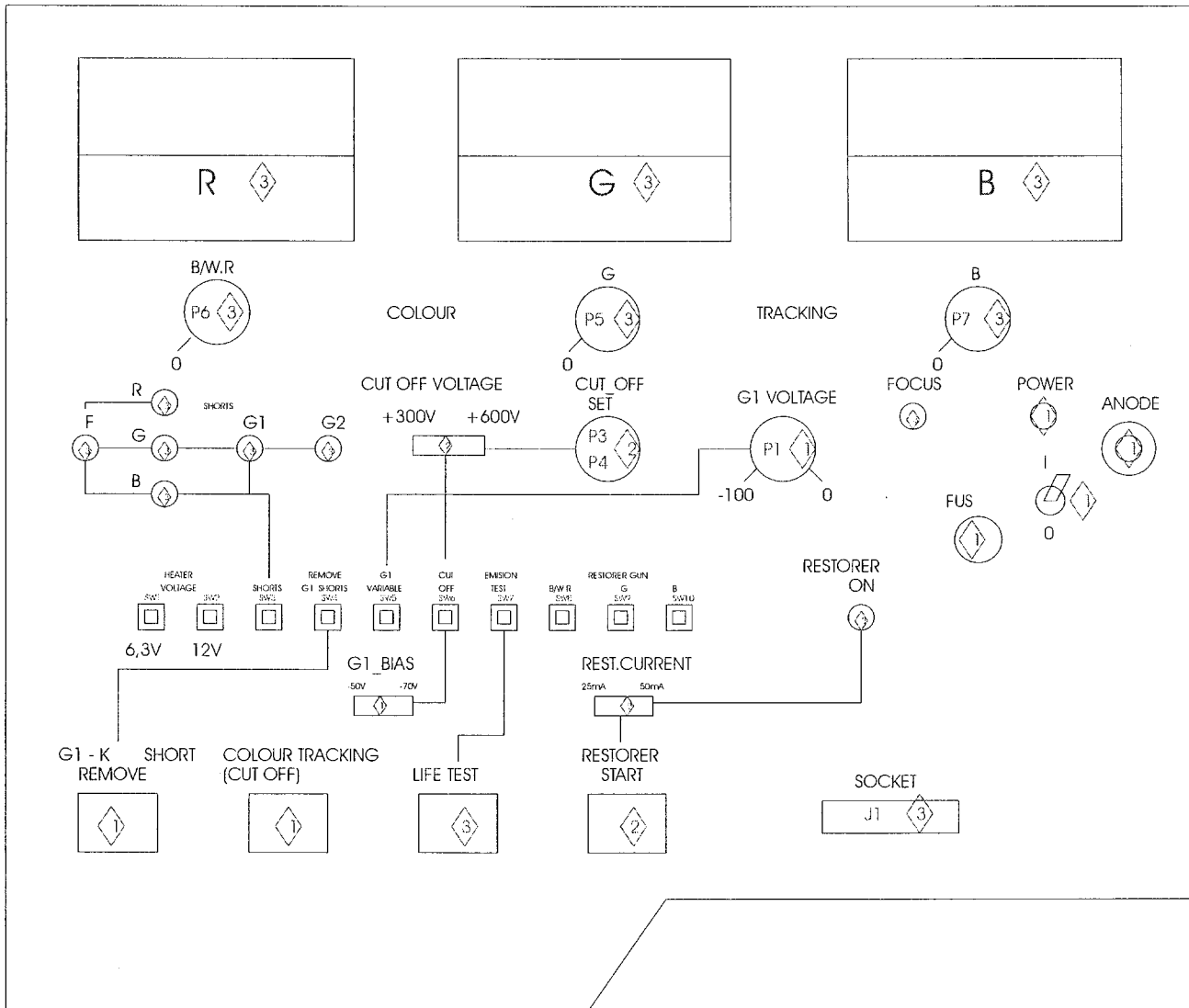
3



836172

4903

A B C D E F G



440B