



**SERVICE BULLETIN 1A
(Reprint)**

FROM: Pete Gustafson, Field Service Mgr.
TO: Service Managers
DATE: April 12, 1988
RE: Secret Service - Cross Playfield Plunger Shot

After receiving feedback about our initial shipment of Secret Service, these prototypes may require special attention to mechanical adjustments of a few items.

1. The cross playfield shot from the ball shooter is adjustable, but may require premature adjusting due to the excessive length of the shooter ball rail. We have added a hole to the adjustable rail mounting bracket and the rail has been shortened (shown in Fig. 1) for the remainder of production but a stop screw should be installed behind the rail once it is adjusted properly.

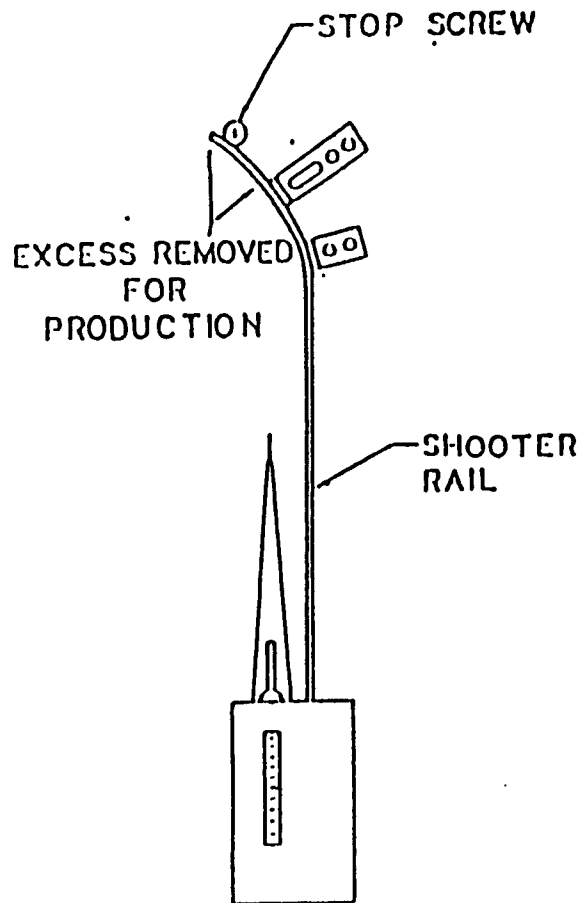
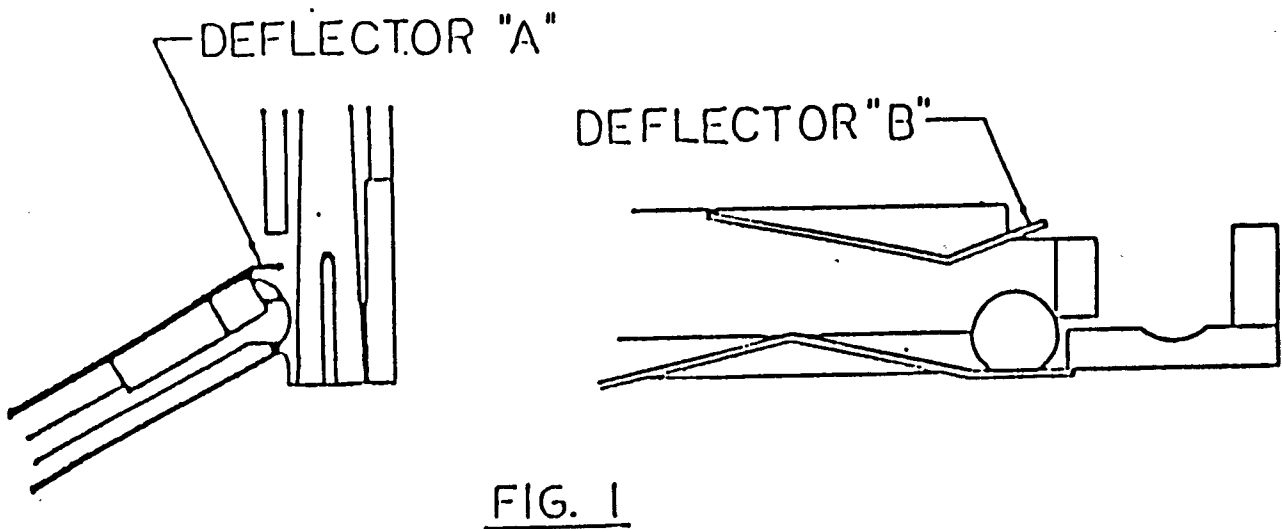


FIG. 1

BALL TROUGH:

1. The ball trough contains three switches. The right switch and rollover are mounted separately. The center and left switches and rollovers are mounted to an adjustable plate. The center and left rollovers may not be aligned with the second and third ball, requiring realignment of the adjustable plate by moving it further to the right. Remove the left mounting screw and loosen the right mounting screw. Slide the plate to the extreme right and restart the left mounting screw. Tighten the screws.
2. The ball trough eject may require adjustment due to the ball being kicked into the shooter lane and deflecting back into the trough without reclosing the first trough switch. The adjustable deflection plate shown in Fig. 1 must deflect the ball down and to the rear to correct this problem. Adjust deflector "A" to the rear until the ball slightly deflects off the plate. Adjust deflector "B" downward for the same effect.



KICKBIG (WHITE HOUSE):

The kickbig trough may require adjustment of the two switches and the left and right flat side rails.

1. The center mounting screw of the left flat rail may interfere with the ball traveling past and should be removed.
2. Adjust two kickbig trough switches to close when rollovers are depressed half way.
3. The right flat rail with the side mounted switch and rollover may be located too far from the trough, not allowing the rollover to be depressed sufficiently. If so, relocate the rail further to the left allowing the rollover to protrude further into the trough. The flat rail should be lined up with a black line screened on the playfield.