

SERVICE BULLETIN

DATE: June 15, 1988

GAME: Secret Service

#010

SUBJECT: BallEater Adjustments

SYMPTOM: Improper Operation of the Ball Eater Mechanism

PROBLEM: Inadequate Tolerances on the Assembly

SOLUTION: Perform the following procedure using the attached figures and the recommended tools.

Recommended Tools: Soldering iron, phillips screwdriver, diagonal cutter and a 1/4" nutdriver.

Procedure:

1. Desolder the orange and black-brown wires from the eater down coil.
2. Using the nutdriver, remove the 4 mounting screws holding the assembly to the playfield allowing better access to the unit.
3. Remove 10 turns from the extension spring (fig. 2A).
4. Remove rubber stop from the base of the assembly (fig. 2B).
5. Remove flat washer and star washer from the second screw from the bottom of the housing (fig. 1A).
6. Loosen the two screws holding the switch assemblies (fig. 1C) and the two screws holding the coil assembly bracket (fig. 1A & B).
7. With the ball eater in the down position adjust the coil assembly bracket so the top of the ball eater cube is even with the top edge of the housing (fig. 3A).
8. Tighten the two screws holding the coil assembly bracket (fig. 1A & B).
9. Adjust the switch bracket assembly, so when the ball eater comes down the lower switch "makes" slightly before cube bottoms out (fig. 3B). This allows a wiping motion on the switch to insure the contacts remain clean.
10. Tighten the two screws holding the switch bracket assembly (fig. 1C).
11. Remount the unit to the playfield and install the four screws removed in step 2.
12. Solder the orange and black-brown wires to the eater down coil making sure the orange wire is connected to same lug as the striped side of the diode.

If any difficulty is encountered, please call our toll free number, 1-800-KICKERS (1-800-542-5377)



Arnie Aarstad
Field Service Representative

Page 1 of 2

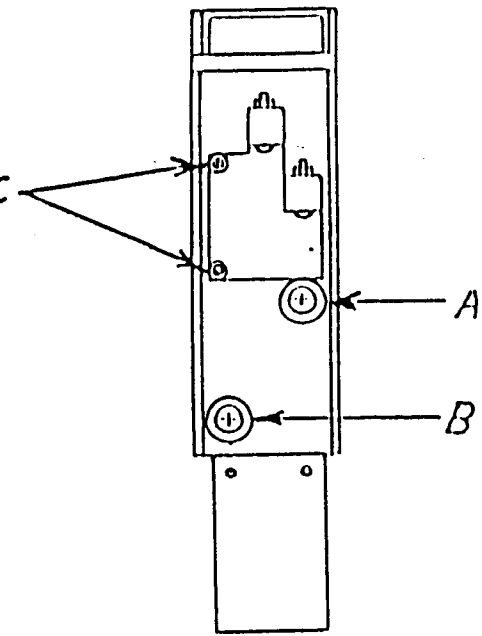


FIGURE 1

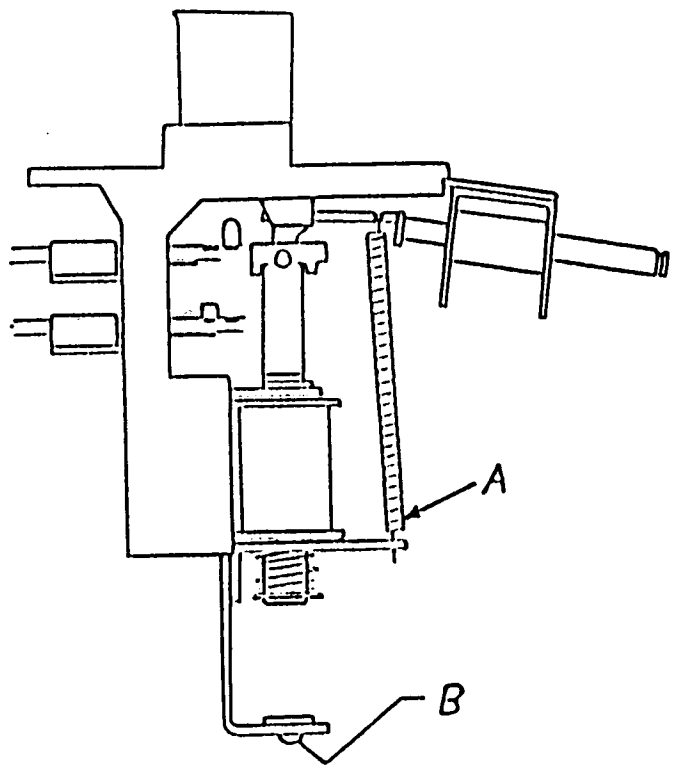


FIGURE 2

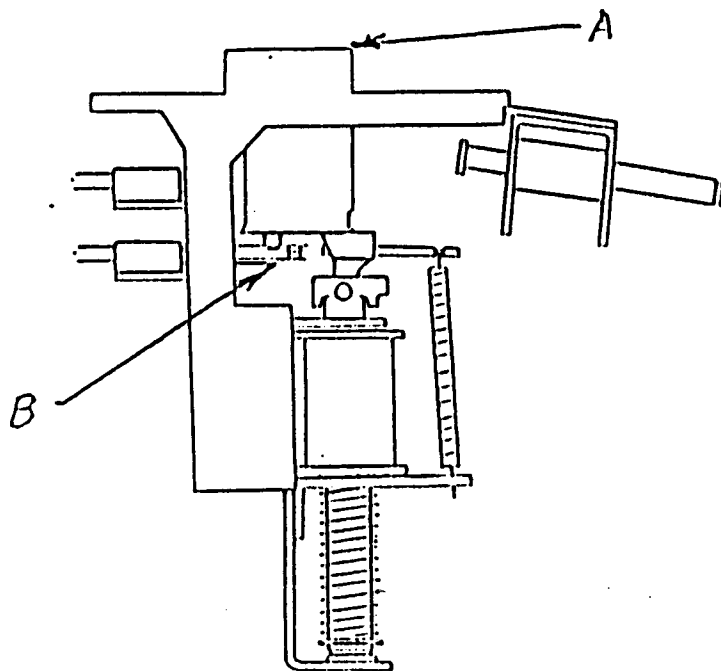


FIGURE 3