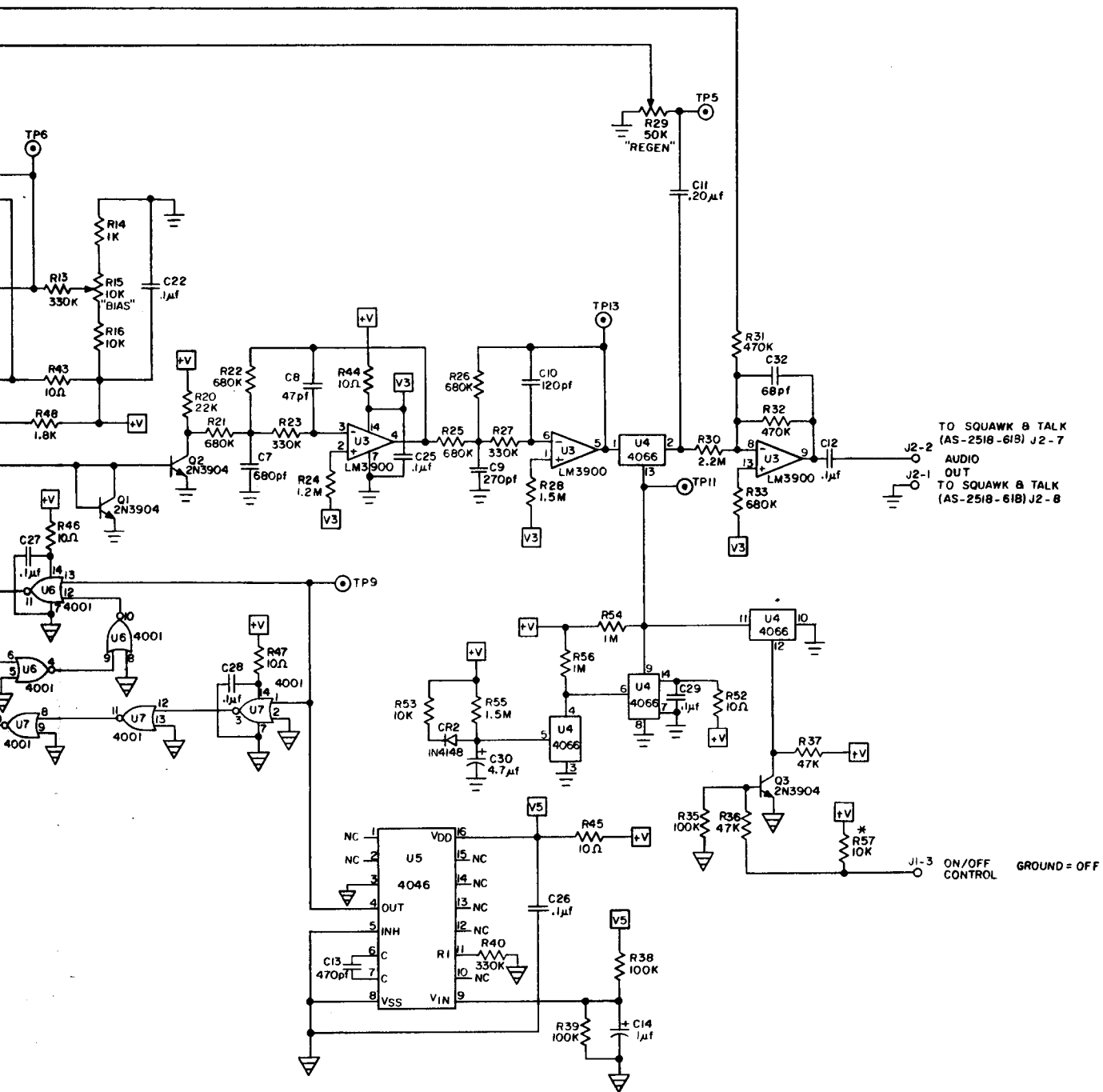


LAST NO'S. USED	NO'S. NOT USED
R63	R34, R49
C32	
Q3	
CR2	
U8	

NOTE:
 * I.R.57 USED WHEN NO EXTERNAL ON/OFF CONTROL IS REQUIRED. LEAVE OFF WHEN EXTERNAL CONTROL IS IMPLEMENTED.



ALL DESIGN, OPERATIVE AND PROCESS DATA PERTAINING TO THE ARTICLE SHOWN ON THIS SHEET IS THE PROPERTY OF BALLY MFG CORP. CHICAGO. ALL THIS INFORMATION IS DISCLOSED IN CONFIDENCE AND IS NOT TO BE COPIED, REPRODUCED, REVEALED TO OR APPROPRIATED BY OTHERS IN PART OR IN WHOLE, WITHOUT THE EXPRESS CONSENT OF THE OWNERS. THE PRINT IS LOANED AND MUST NOT BE USED IN ANY MANNER DETRIMENTAL TO THE INTEREST OF THE OWNERS, AND MUST BE RETURNED ON DEMAND.

REMOVE ALL BURRS TOLERANCES ON DIMENSIONS UNLESS OTHERWISE SPECIFIED FRACTIONS ± .008 DECIMALS ± .003 EXCEPT HOLE DIA. S ANGLES ± 1/2°	DR. BY FFC	DATE 8-6-81	Bally MANUFACTURING CORP. 2640 BELMONT AVENUE CHICAGO, ILLINOIS #1239				
	CK. BY AMCR	DATE 8-81					
	AP'D BY NC	DATE 8-81	PRINT CONTROL	DIE SIZE:	C.C.:	FT. PER M.	LBS. PER M.
	AP'D BY NC	DATE 8-11-81	FINISH:	NAME SAY IT AGAIN (SCHEMATIC)		ASSEM. NO. USED AS-2518-81	SCALE X