

UNIVERSAL MODULE

NEWS RELEASE

RELEASE: immediate

CONTACT: RICHARD SUKINIK
DAVID GILFOR

SUBJECT: **BALLY/STERN ELECTRONIC TEST FIXTURE**

TESTS

- Solenoid Driver Boards
- Lamp Driver Boards
- MPU Boards
- Score Display Boards
- Sound Boards

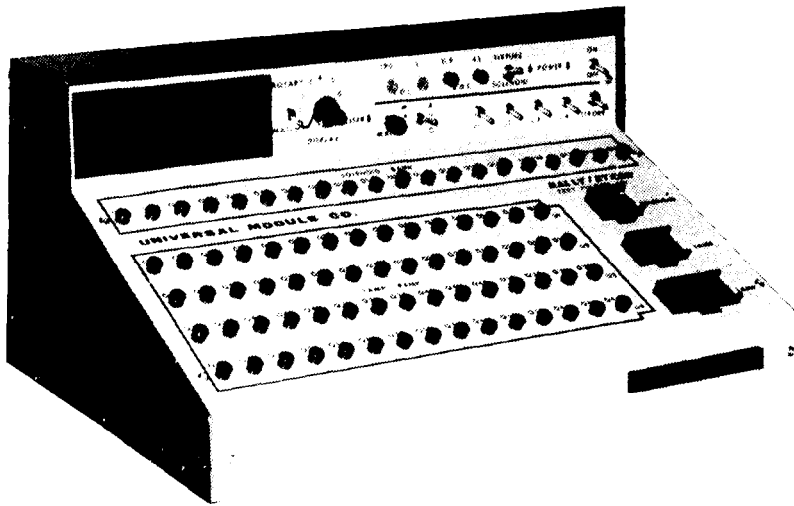
FEATURES

- Easy to Operate
- Low cost-pays for itself
- Portable
- Test boards individually or together as a system
- Expandable

Universal Module is proud to introduce the Model "101" Bally/Stern test fixture. It's engineered to be a reliable, durable, and yet inexpensive way to test all the major boards used in Bally and Stern electronic flipper games. It can be carried easily to your locations or used in your shop as an indispensable tool for trouble-shooting and testing your boards on the bench.

With the cost of equipment, gas, and other expenses rapidly rising operators need to cut unnecessary costs. The Model "101" can help your profit picture by doing the following:

1. Avoids unnecessary trips to your distributor to check good boards, which wastes time and gas.
2. Avoids unnecessary charges for testing or exchanging good boards.
3. Avoids expensive repair costs by helping you diagnose and repair many of the problems yourself.
4. Saves you considerable repair time by helping you determine where the problem is.
5. Increases your collections — shorter repair time means less down time.



MODEL 101
Bally/Stern Test Fixture
by:
UNIVERSAL MODULE

FEATURES:
1 10/220 VAC Operation
Aux. Power Outlet
Built in Speaker
Carry Handle

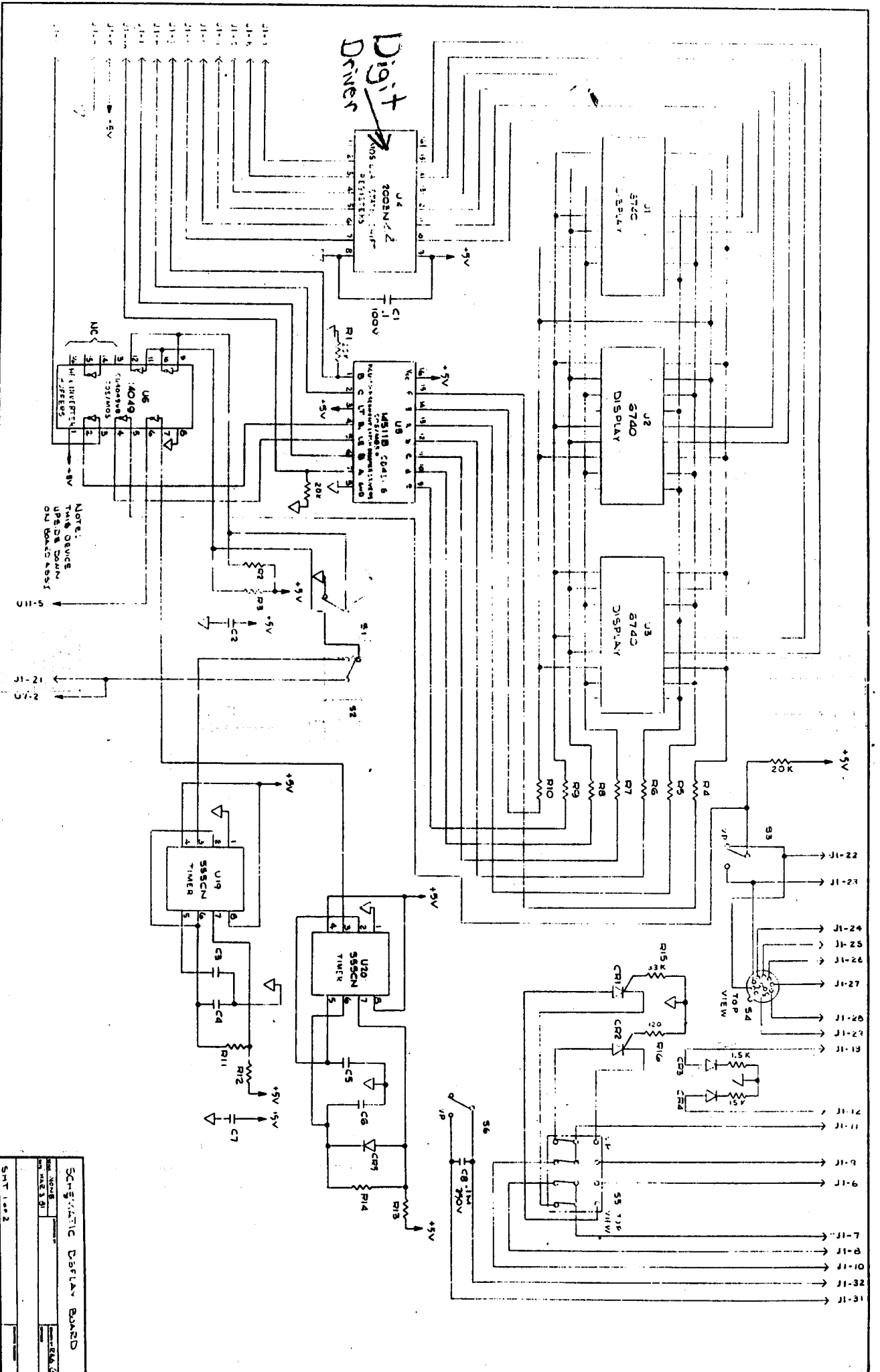
CHECK THE FOLLOWING . . .

1. Solenoid Driver Boards
 - (a) 5 Volt Supply
 - (b) 190 Volt Supply
 - (c) Driver Transistors
 - (d) Flipper Relay and Contacts
2. Lamp Driver Boards
 - (a) Driver Transistors
 - (b) U1 thru U4 Decoder Chips
3. Score Display Boards
 - (a) Digit Drivers
 - (b) Segment Drivers
 - (c) Decoder Chip
4. Sound Boards
 - (a) Check the amplifier and the inputs that make up the different sounds.
5. MPU Boards
 - (a) The switch matrix board (included) lets you simulate the making of any switch or contact in the machine.
 - (b) The built in score display lets you monitor the score output of any player plus the match/credit display.

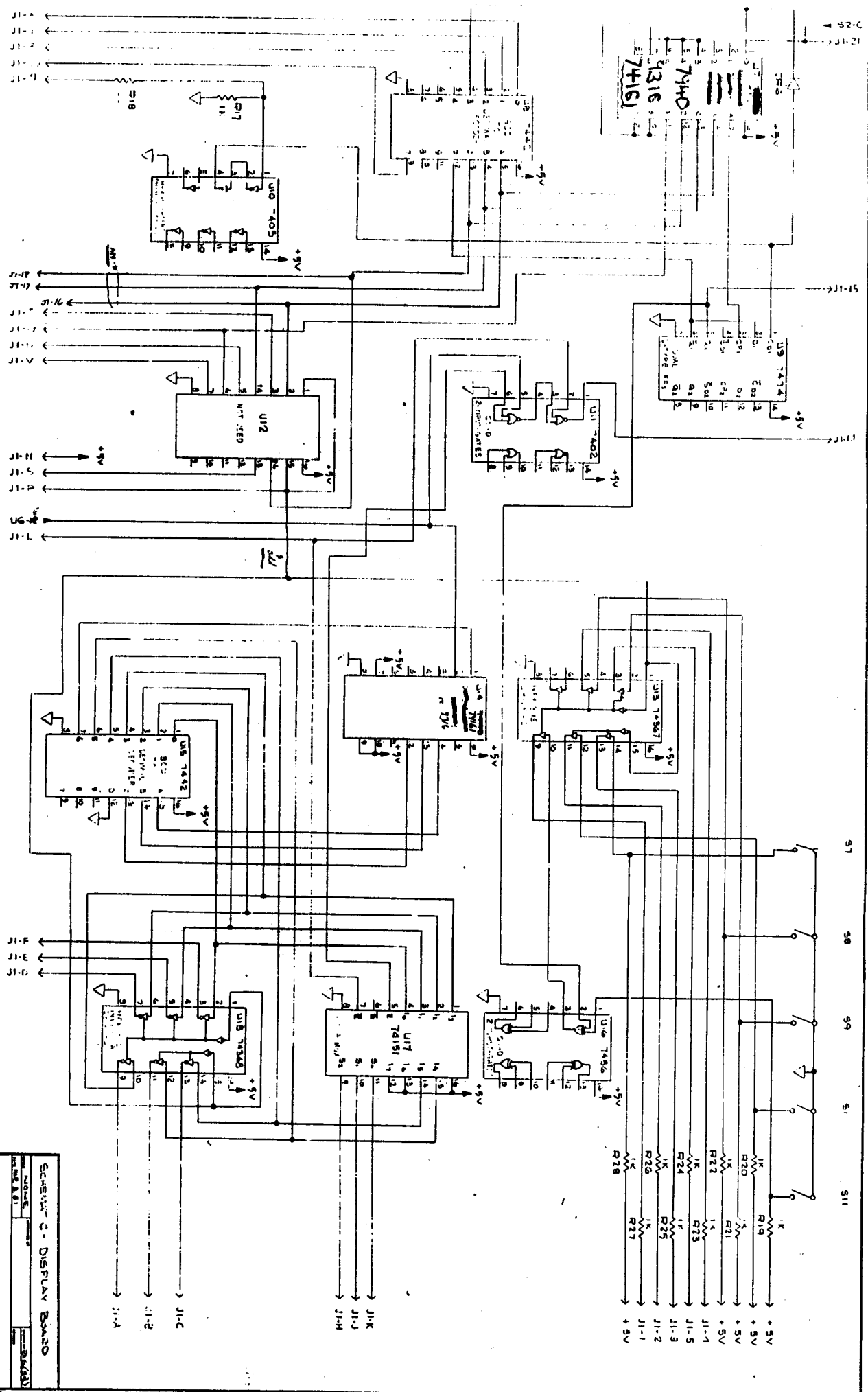
When the MPU Board is used with a Solenoid Board and/or a lamp driver board, you create an actual machine without the cabinet. As you play the game using the switch matrix board mentioned above you can monitor the operation of any lamp or solenoid via the L.E.D. panel on the front of the test fixture.

UNIVERSAL AMUSEMENT DISTRIBUTORS

2337 Philmont Avenue • Huntingdon Valley, PA 19006 • (215) 947-4606

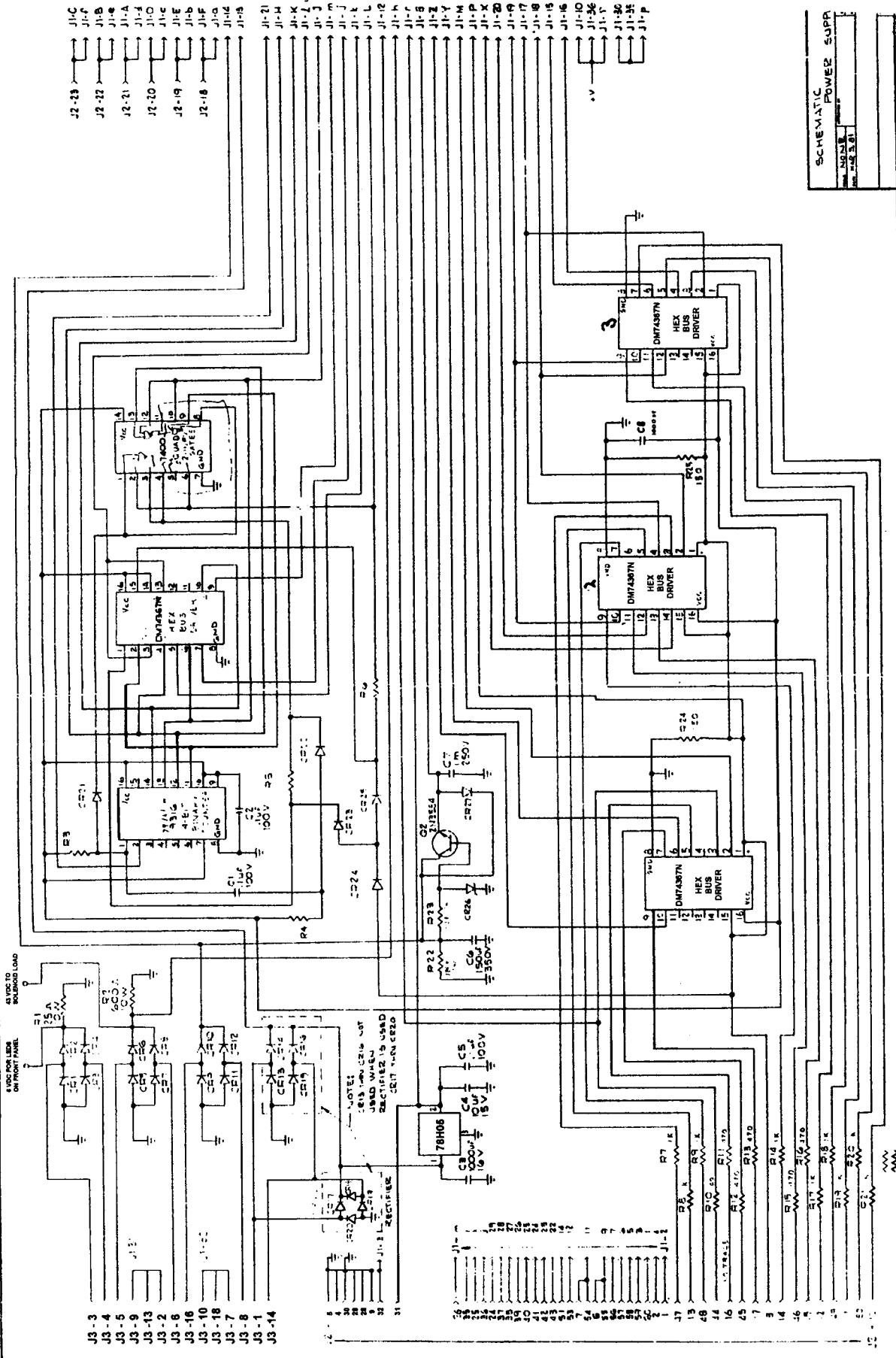


SCHMATIC DISPLAY BOARD	
REV. 1	DATE 3-81
SMT 1002	



SCHEDULE C - DISPLAY BOARD
 PART NO. 100-1000
 DATE 8-81
 REV 2.002

51 58 99 51 511



SCHEMATIC POWER SUPPLY
 REV. 10/68
 DRAWING NO. 3-81