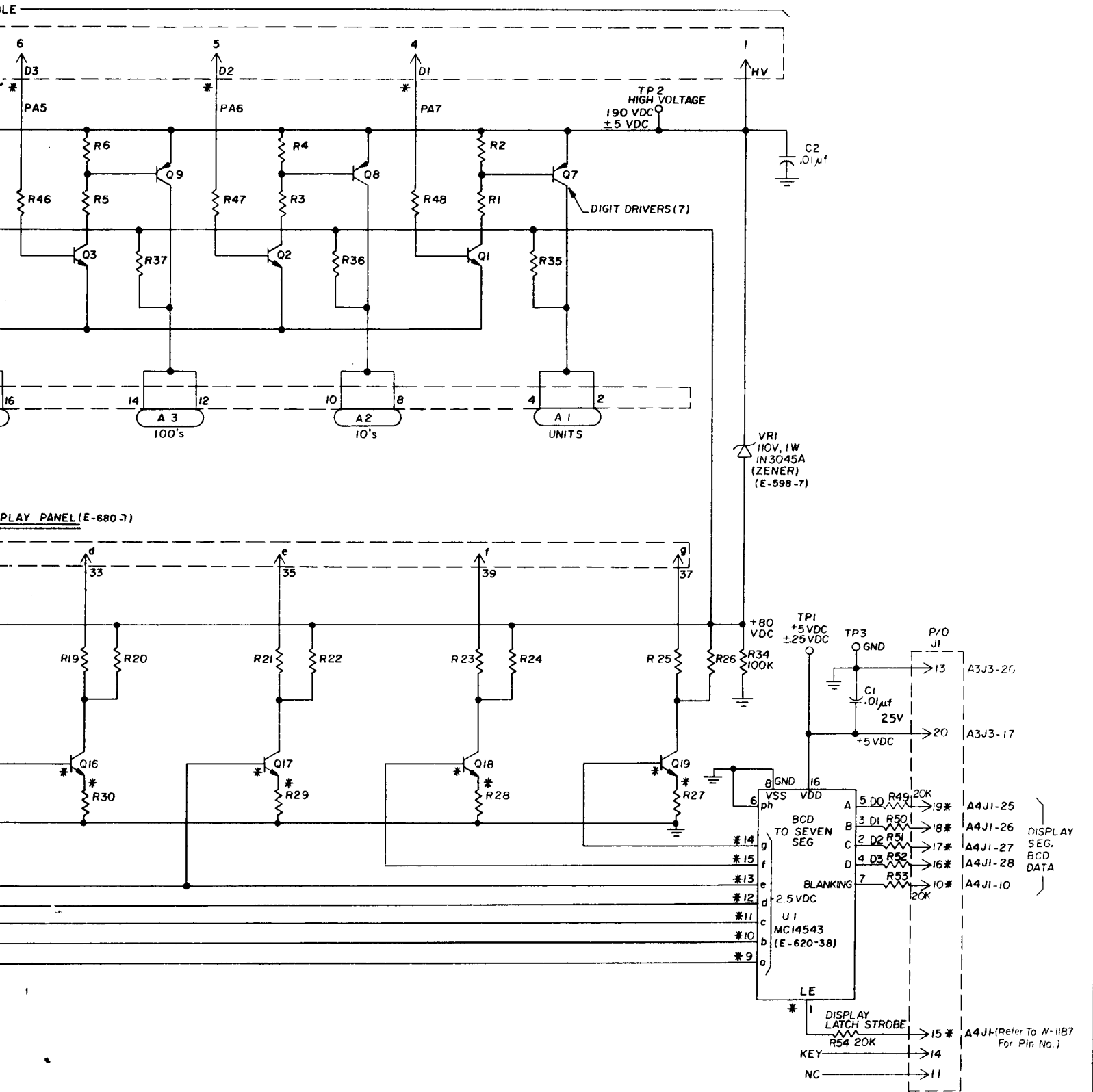


* INDICATES "Aid" TEST POINT.

NOTES:

1. UNLESS OTHERWISE SPECIFIED ALL RESISTORS ARE $\pm 5\%$, $\frac{1}{4}$ W.
2. PREFIX ALL REFERENCE DESIG. WITH ASSEMBLY REFERENCE DESIG. "A 1".

DEPT.	DESCRIPTION	TOOL NO.



ALL DESIGN, OPERATIVE AND PROCESS DATA PERTAINING TO THE ARTICLE SHOWN ON THIS SHEET IS THE PROPERTY OF BALLY MFG. CORP. CHICAGO, ILL. THIS INFORMATION IS DISCLOSED IN CONFIDENCE AND IS NOT TO BE COPIED, REPRODUCED, REVEALED TO OR APPROPRIATED BY OTHERS IN PART OR IN WHOLE, WITHOUT THE EXPRESS CONSENT OF THE OWNERS. THE PRINT IS LOANED AND MUST NOT BE USED IN ANY MANNER DETRIMENTAL TO THE INTEREST OF THE OWNERS, AND MUST BE RETURNED ON DEMAND.

REMOVE ALL BURRS				DR. BY EFC	DATE 6-18-0	Bally MANUFACTURING CORP. #1210 2640 BELMONT AVENUE CHICAGO, ILLINOIS				
TOLERANCES ON DIMENSIONS UNLESS OTHERWISE SPECIFIED				CK. BY amer	DATE 6-19-0	PRINT CONTROL	DIE SIZE	C.C.	FT. PER M.	LBS. PER M.
FRACTIONS ± .008				AP'D BY	DATE	NAME 7 DIGIT DISPLAY BOARD SCHEMATIC "A1"				
DECIMALS ± .003				FINISH:		ASSEM. NO. USED AS-2518-58				
EXCEPT HOLE DIA'S				HARDENING:		MATERIAL				
ANGLES ± 1/2°				DO NOT SCALE DRAWING		PART NO. W-1184-2C				
NO.	LET.	CHANGE	DATE	BY						