

TAITO AMERICA CORPORATION

1256 ESTES AVENUE • ELK GROVE VILLAGE, IL 60007
(312) 981-1000 • TELEX 253290 CABLE TAMCO ELK GROVE VILLAGE

October 6, 1980

ATTENTION: SERVICE DEPARTMENT MANAGER

Enclosed please find two sets of schematics for Taito
"Stratovox."

In the future, our Field Service Department will forward
new game schematics to all Service Departments prior to the
shipment of new products. This procedure will aid your
personnel by providing advance knowledge of our games.

If for any reason your department does not have our previous
game schematics, please contact our Field Service Department.

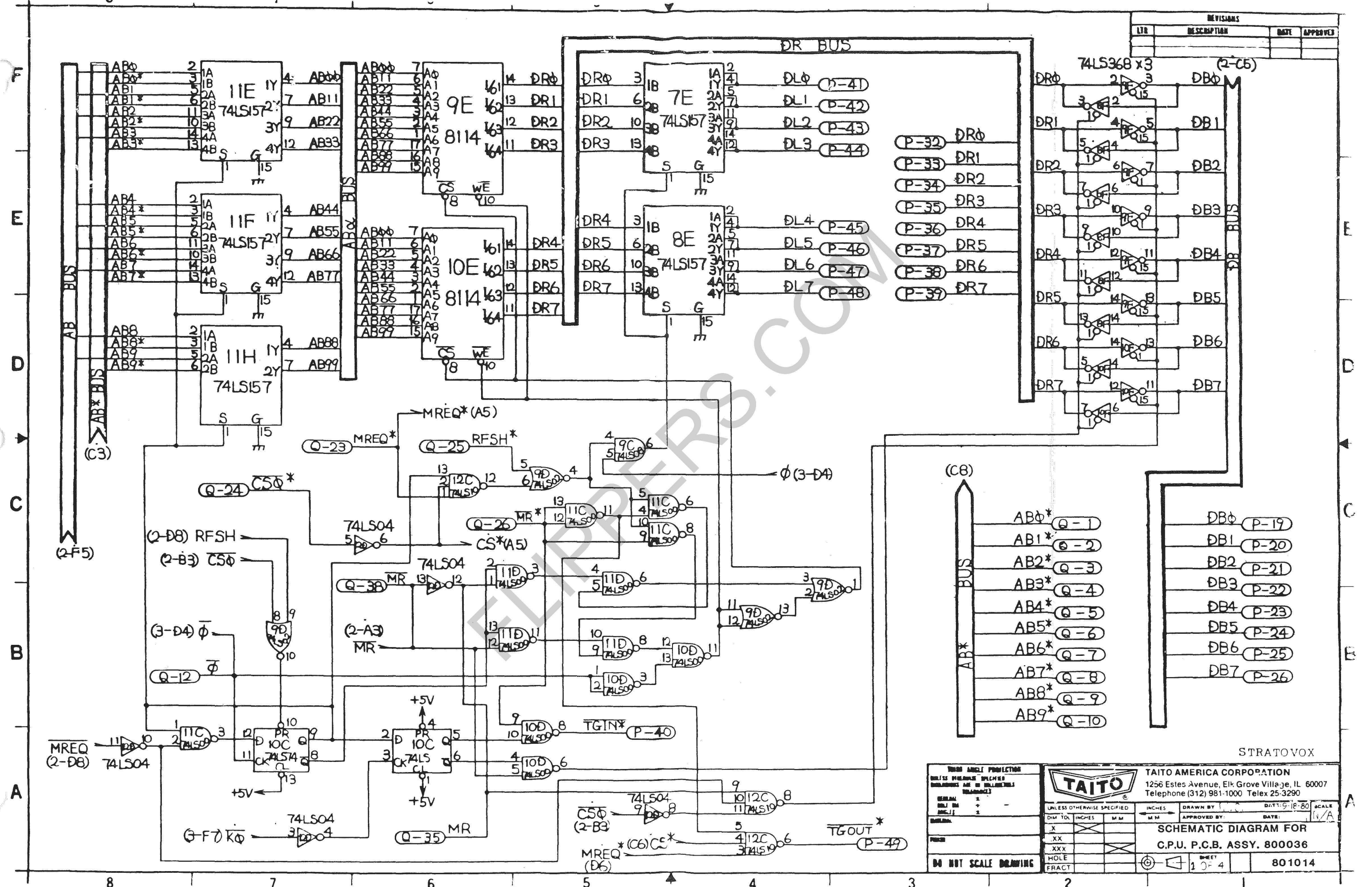
Sincerely,

TAITO AMERICA CORPORATION


R.A. Lopez
Field Service Manager

RAL/dw

REVISIONS			
LT#	DESCRIPTION	DATE	APPROVED



- (P-32) DR0
- (P-33) DR1
- (P-34) DR2
- (P-35) DR3
- (P-36) DR4
- (P-37) DR5
- (P-38) DR6
- (P-39) DR7

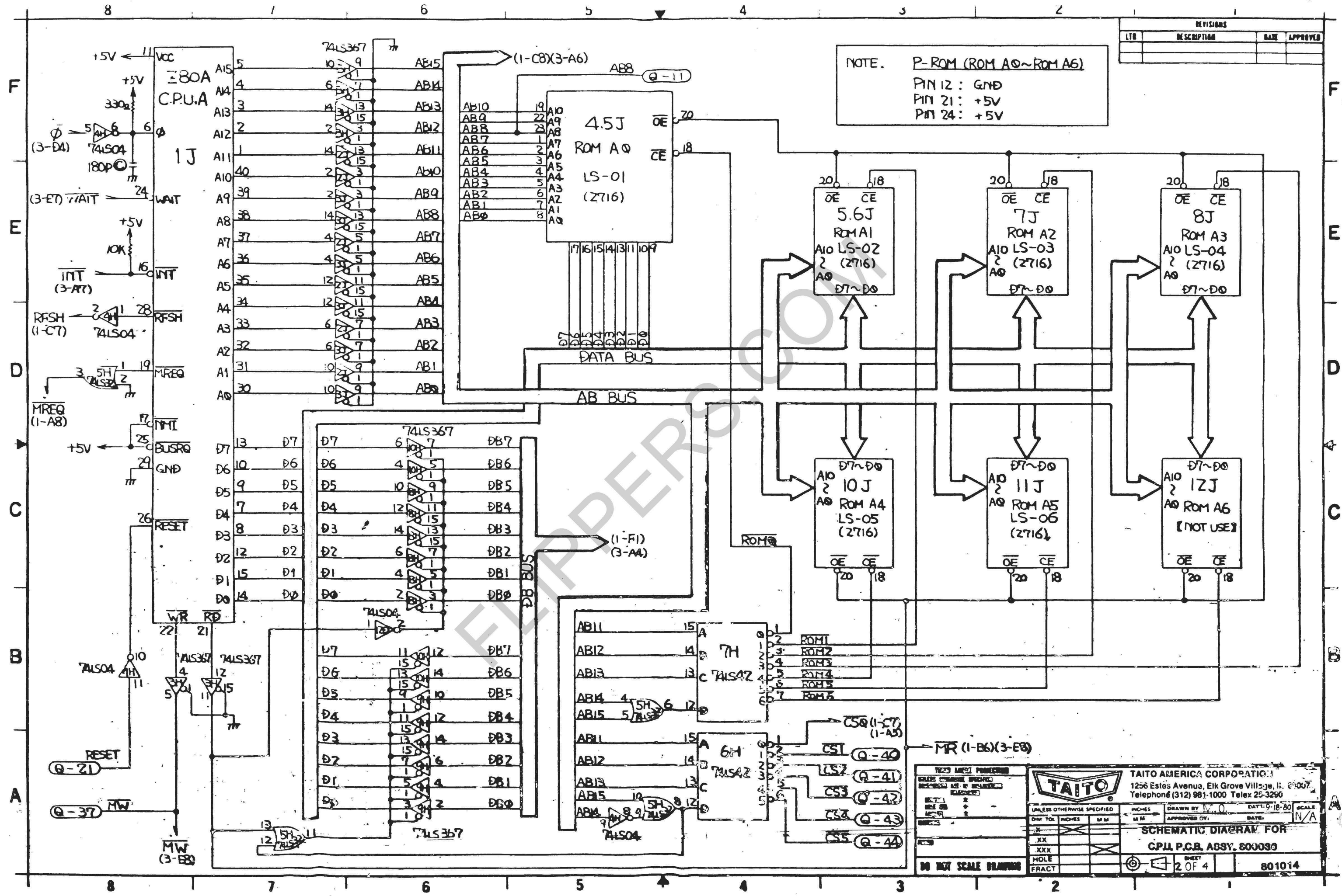
(C8)

- AB0* Q-1
- AB1* Q-2
- AB2* Q-3
- AB3* Q-4
- AB4* Q-5
- AB5* Q-6
- AB6* Q-7
- AB7* Q-8
- AB8* Q-9
- AB9* Q-10

- DB0 (P-19)
- DB1 (P-20)
- DB2 (P-21)
- DB3 (P-22)
- DB4 (P-23)
- DB5 (P-24)
- DB6 (P-25)
- DB7 (P-26)

STRATOVox

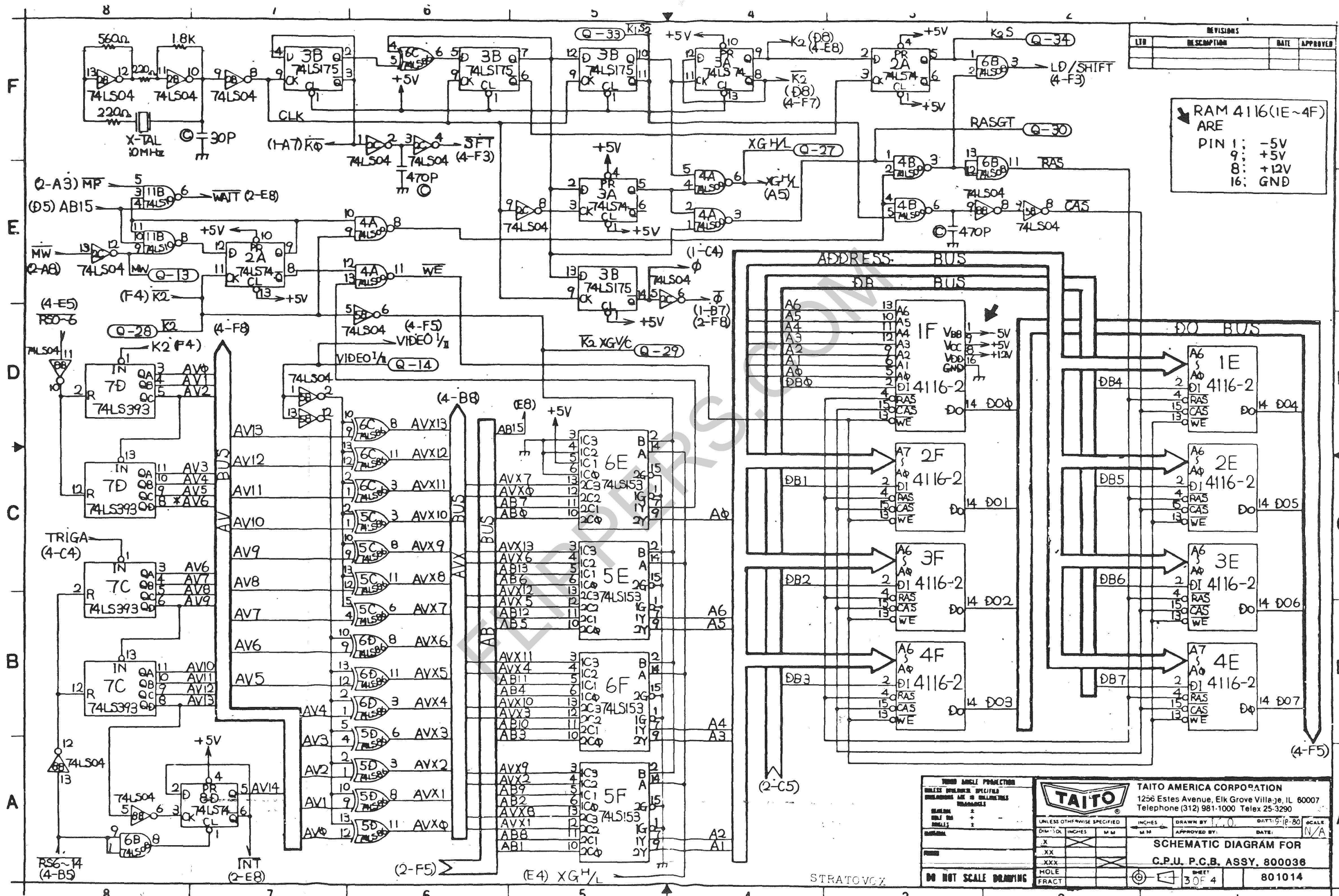
TAITO TAITO AMERICA CORPORATION 1256 Estes Avenue, Elk Grove Village, IL 60007 Telephone (312) 981-1000 Telex 25-3290		DRAWN BY: _____ DATE: 11/80
UNLESS OTHERWISE SPECIFIED DIM TOL INCHES M M .XX .XXX HOLE FRACT		SCALE 1/4" SHEET 4 OF 4 801014
SCHMATIC DIAGRAM FOR C.P.U. P.C.B. ASSY. 800036		
DO NOT SCALE DRAWING		



REVISIONS			
LTB	DESCRIPTION	DATE	APPROVED

NOTE. P-ROM (ROM A0~ROM A6)
 PIN 12 : GND
 PIN 21 : +5V
 PIN 24 : +5V

TAITO TAITO AMERICA CORPORATION 1256 Estes Avenue, Elk Grove Village, IL 60007 Telephone (312) 981-1000 Telex 25-3290		DRAWN BY: M.O. DATE: 9-18-80 SCALE: N/A
SCHEMATIC DIAGRAM FOR CPU P.C.B. ASSY. 800030		
SHEET 2 OF 4		801014



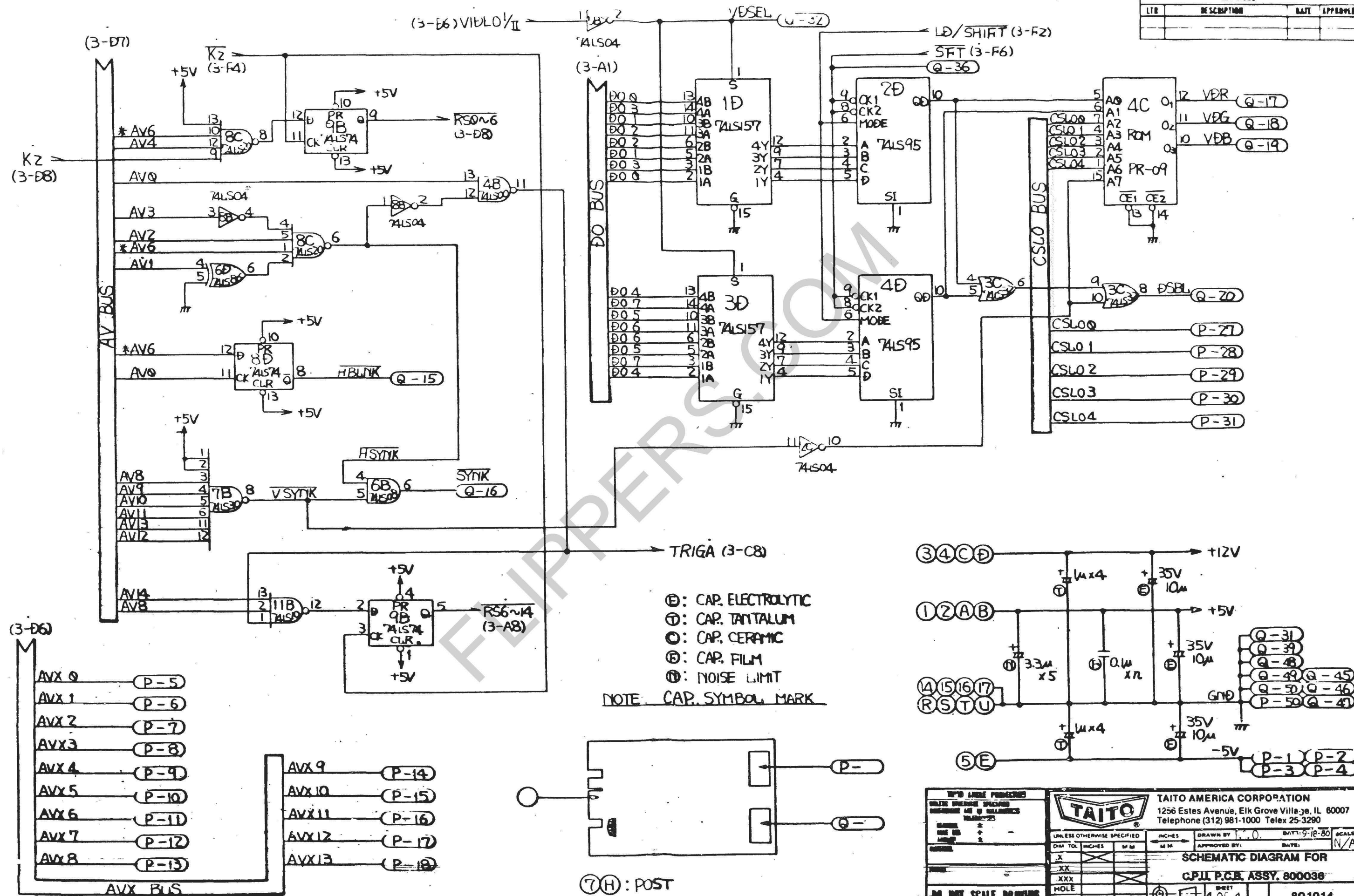
REVISIONS			
LTB	DESCRIPTION	DATE	APPROVED

RAM 4116(1E~4F)
ARE
PIN 1: -5V
9: +5V
8: +12V
16: GND

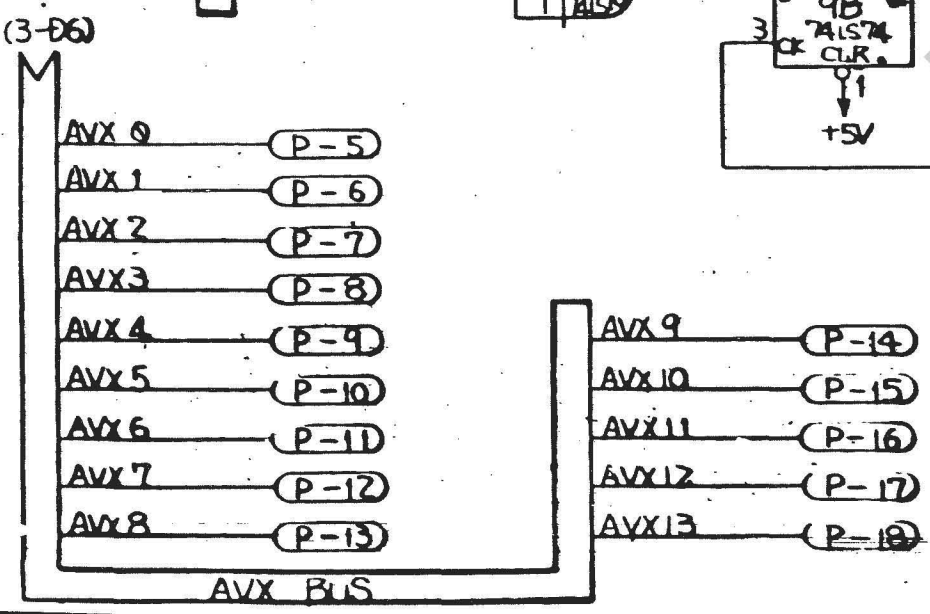
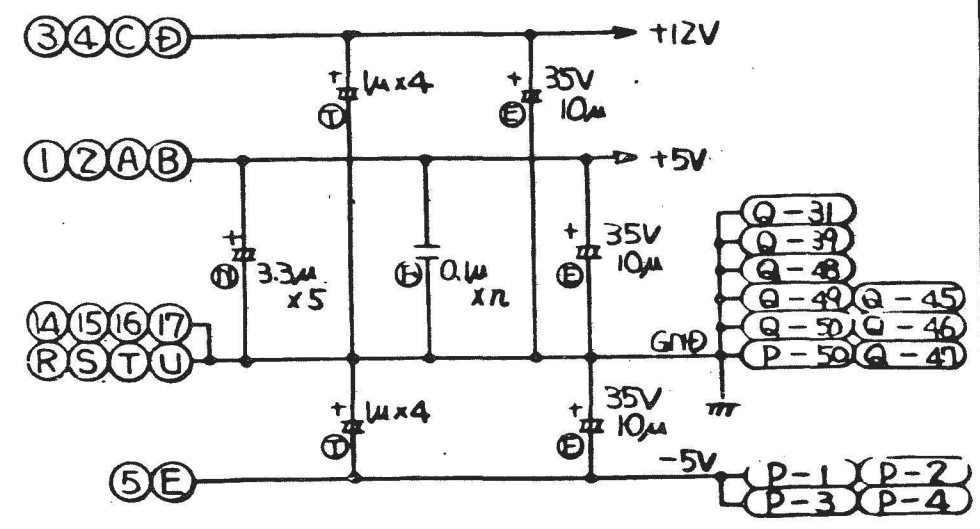
TAITO TAITO AMERICA CORPORATION 1256 Estes Avenue, Elk Grove Village, IL 60007 Telephone (312) 981-1000 Telex 25-3290		UNLESS OTHERWISE SPECIFIED DIM: TOL INCHES M M .X .XX .XXX MOLE FRACT DO NOT SCALE DRAWING	DRAWN BY: [Signature] APPROVED BY: [Signature] DATE: 9-18-80 SCALE: N/A SCHEMATIC DIAGRAM FOR C.P.U. P.C.B. ASSY. 800038 SHEET 3 OF 4 801014
---	--	--	---

STRATOVGX

REVISIONS			
LIB	DESCRIPTION	DATE	APPROVED



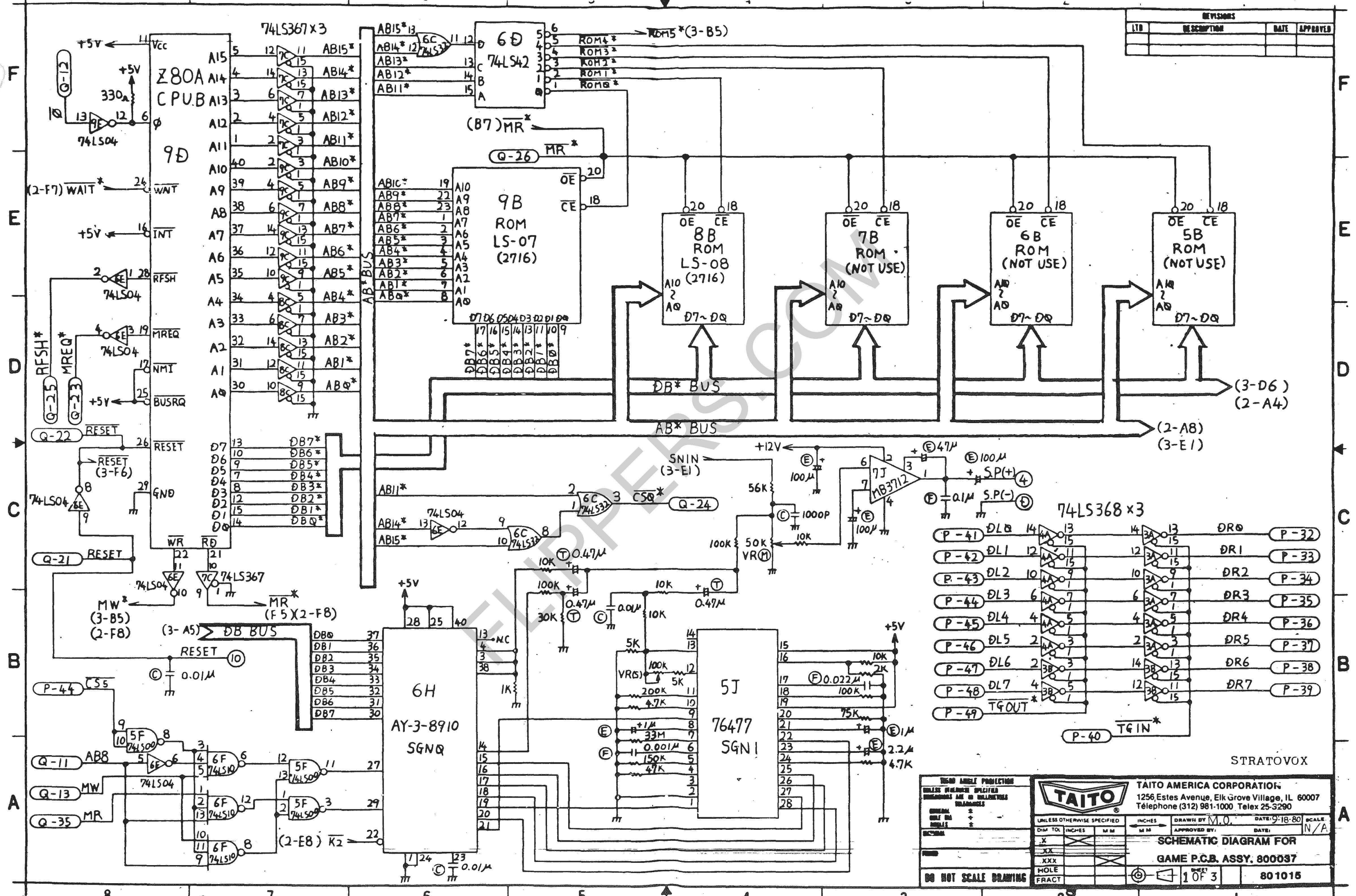
(E): CAP. ELECTROLYTIC
 (T): CAP. TANTALUM
 (C): CAP. CERAMIC
 (F): CAP. FILM
 (N): NOISE LIMIT
 NOTE: CAP. SYMBOL MARK



(7)(H): POST

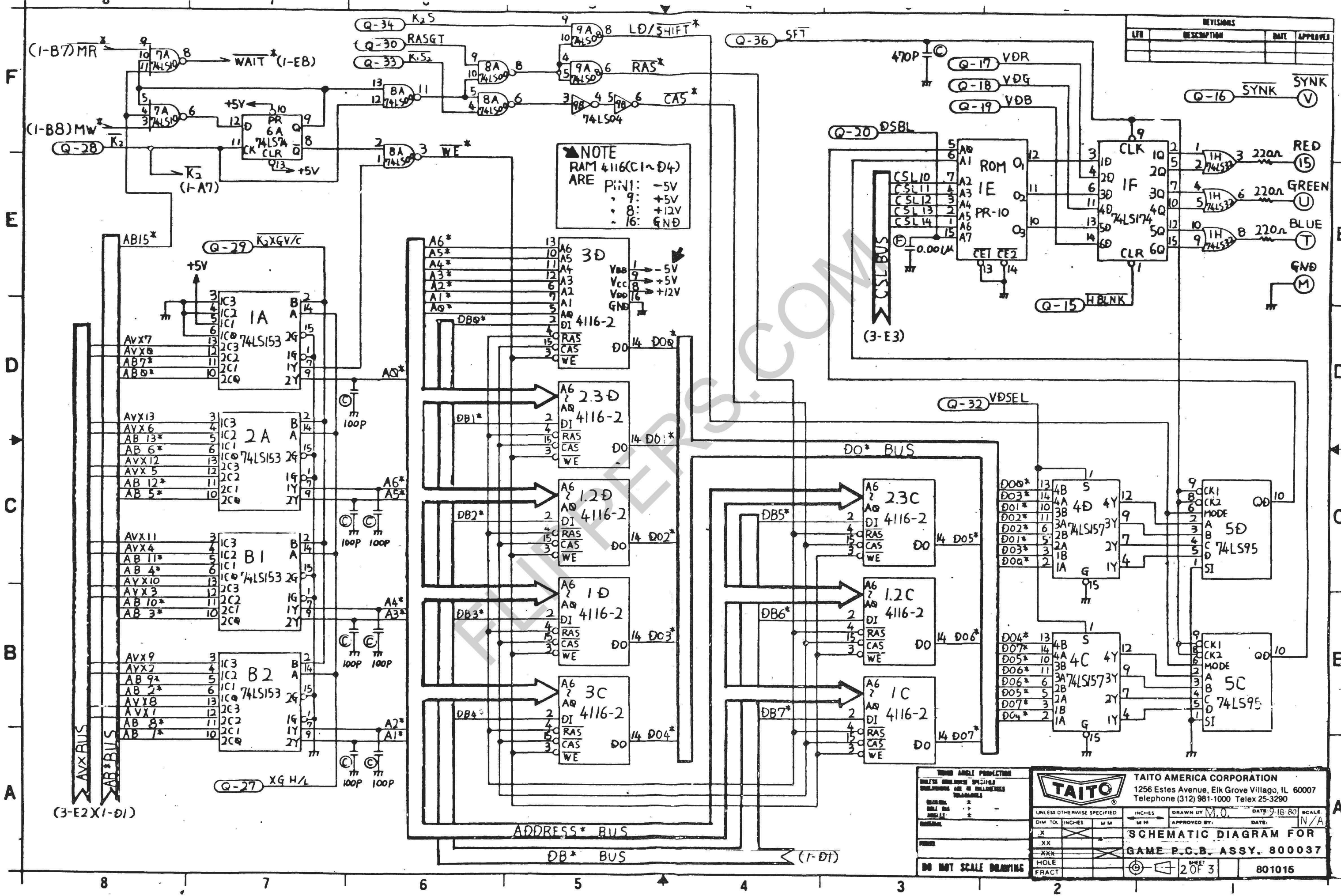
TAITO AMERICA CORPORATION 1256 Estes Avenue, Elk Grove Village, IL 60007 Telephone (312) 981-1000 Telex 25-3290	
UNLESS OTHERWISE SPECIFIED DIM TOL INCHES M M X .XXX HOLE FRACT	DRAWN BY: [] APPROVED BY: [] DATE: 9-18-80 SHEET: 4 OF 4 SCALE: N/A
SCHEMATIC DIAGRAM FOR CPJL P.C.B. ASSY. 800038	
STRATOVOL 801014	

REVISIONS			
LTB	DESCRIPTION	DATE	APPROVED



TAITO TAITO AMERICA CORPORATION 1256 Estes Avenue, Elk Grove Village, IL 60007 Telephone (312) 981-1000 Telex 25-3290		DRAWN BY: M.O. DATE: 9-18-80 SCALE: N/A
UNLESS OTHERWISE SPECIFIED: DIMENSIONS ARE IN MILLIMETERS DECIMALS FRACTIONS HOLE DIA. HOLE PATTERN		APPROVED BY: _____ DATE: _____ SCHMATIC DIAGRAM FOR GAME P.C.B. ASSY. 800037 SHEET 1 OF 3 801015

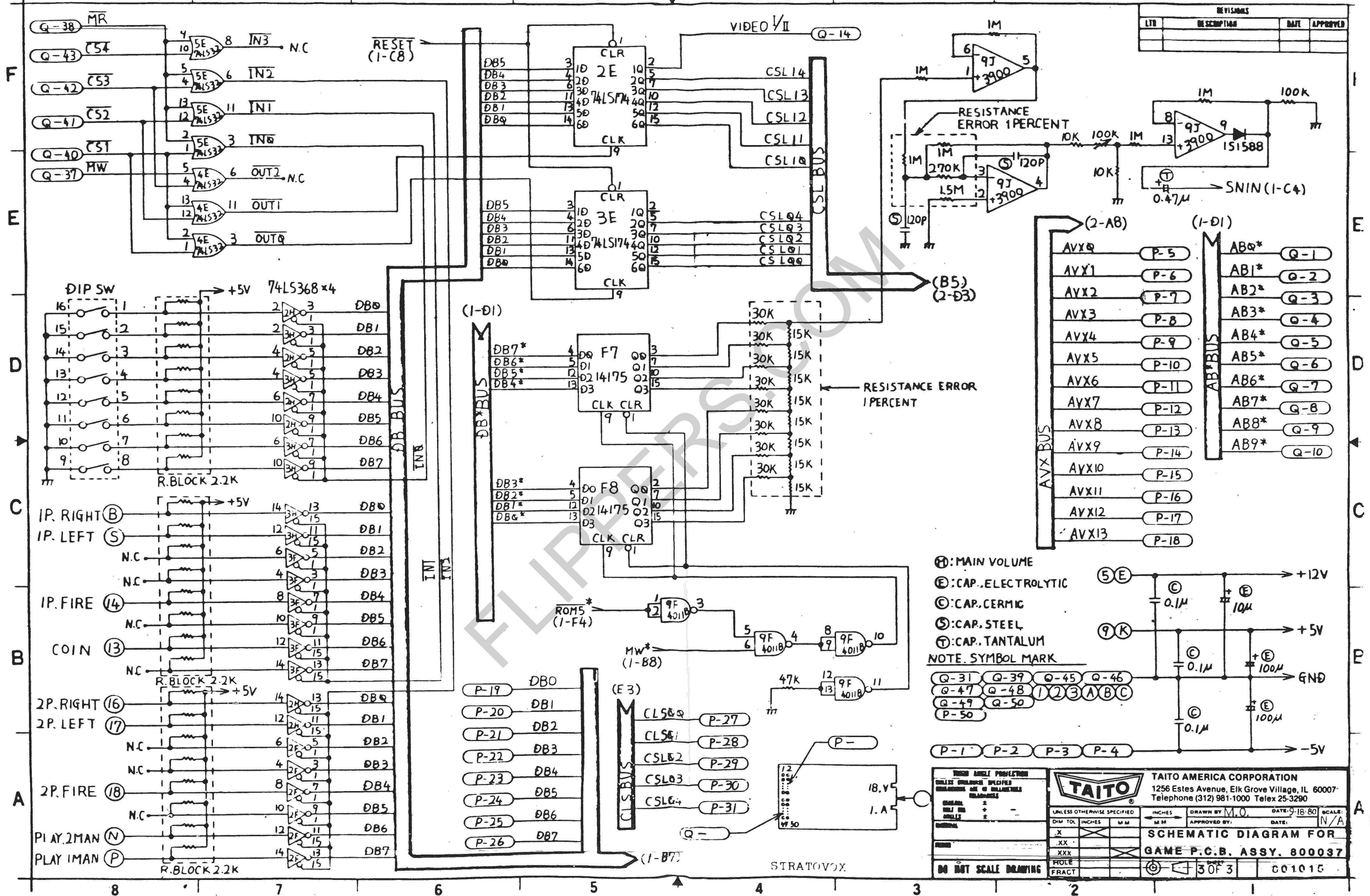
STRATOVOX



REVISIONS			
LR	DESCRIPTION	DATE	APPROVED

TAITO TAITO AMERICA CORPORATION 1256 Estes Avenue, Elk Grove Village, IL 60007 Telephone (312) 981-1000 Telex 25-3290		DRAWN BY: M.O. DATE: 9-18-80 SCALE: N/A
SCHEMATIC DIAGRAM FOR GAME P.C.B. ASSY. 800037		
SHEET 2 OF 3		801015

REVISIONS			
LTB	DESCRIPTION	DATE	APPROVED

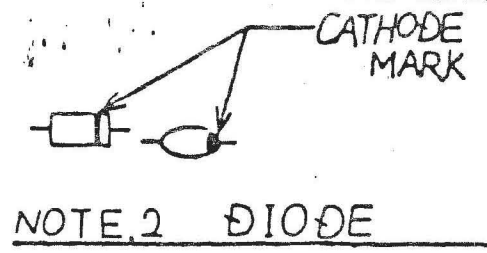
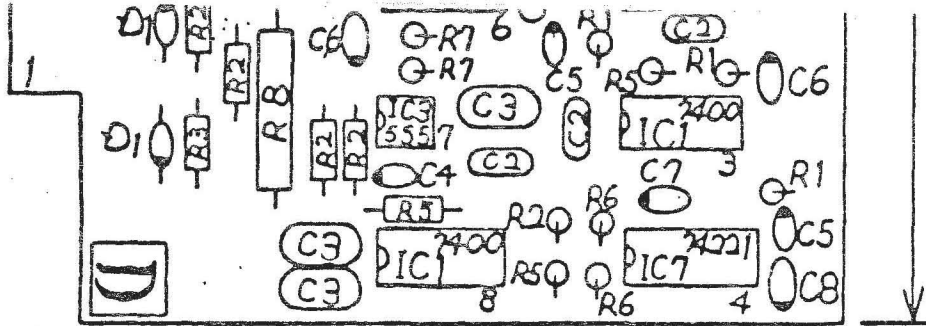


- Ⓜ: MAIN VOLUME
- ⓔ: CAP. ELECTROLYTIC
- ⓐ: CAP. CERMIC
- Ⓢ: CAP. STEEL
- Ⓣ: CAP. TANTALUM
- NOTE: SYMBOL MARK

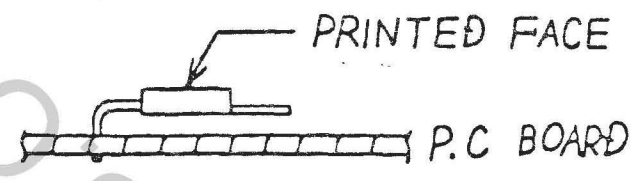
- Q-31 Q-39 Q-45 Q-46
- Q-47 Q-48 123ABC
- Q-49 Q-50
- P-50

- P-1 P-2 P-3 P-4

TAITO		TAITO AMERICA CORPORATION	
1256 Estes Avenue, Elk Grove Village, IL 60007		Telephone (312) 981-1000 Telex 25-3290	
UNLESS OTHERWISE SPECIFIED		INCHES	DATE: 9-18-80
DRAWN BY: M.O.		SCALE:	N/A
APPROVED BY:		DATE:	
SCHEMATIC DIAGRAM FOR			
GAME P.C.B. ASSY. 800037			
DO NOT SCALE DRAWING		3 OF 3	001015



NOTE.3 TRANSISTOR(2SC458)



NOTE.4 TRANSISTOR(2SC1061)

NOTE.5 THE RELATION BETWEEN COIN AND CREDIT

	SW1								SW2							
	1	2	3	4	5	6	7		1	2	3	4	5	6	7	8
1COIN 1PLAY	ON	ON	ON	ON	ON	OFF	OFF	ON	OFF	OFF	OFF	OFF	OFF	ON	OFF	
2COIN 1PLAY	∞	∞	∞	∞	∞	∞	∞	OFF	ON	OFF	∞	∞	∞	∞	∞	
3COIN 1PLAY	∞	∞	∞	∞	∞	∞	∞	∞	OFF	ON	∞	∞	∞	∞	∞	
4COIN 1PLAY	∞	∞	∞	∞	∞	∞	∞	∞	OFF	OFF	ON	∞	∞	∞	∞	
1COIN 2PLAY	ON	OFF	OFF	OFF	OFF	ON	ON	OFF	OFF	OFF	OFF	OFF	OFF	OFF	ON	
1COIN 3PLAY	OFF	ON	∞	∞	∞	∞	∞	∞	∞	∞	∞	∞	∞	∞	∞	
1COIN 4PLAY	ON	ON	∞	∞	∞	∞	∞	∞	∞	∞	∞	∞	∞	∞	∞	

23	C8		414
22	C7		414
21	C6		414
20	C5		414
19	C4		414
18	C3		412
17	C2		412
16	C1		410
15	IC.7		320
14	IC.6		320
13	IC.5		320
12	IC.4		320
11	IC.3		320
10	IC.2		320
9	IC.1		320
8	D2		120
7	D1		120
6	TR2	V	110
5	TR.1	AAT	110
4	SW.2	AAO	525
3	SW.1	∞	525
2	D	∞	1762
1		AAO	1776
ITEM NO	SYM	PART NO	IDENTIFYING NO

STRATOVOX
+
POLARIS.

SERVICE TIPS

FAST AID HOT LINE: 800-323-0666
EXCEPT ILLINOIS: 312-981-1000 Ext. 215
TELEX: 253290



- MANDATORY
- ON FAILURE ONLY
- FOR YOUR INFORMATION

81-3

ATTN: SERVICE MANAGERS

GAME: STRATOVOK

SUBJECT: -5V FUSE (F4) KEEPS BLOWING

SOLUTION: PROPERLY POLARIZE CAPACITORS

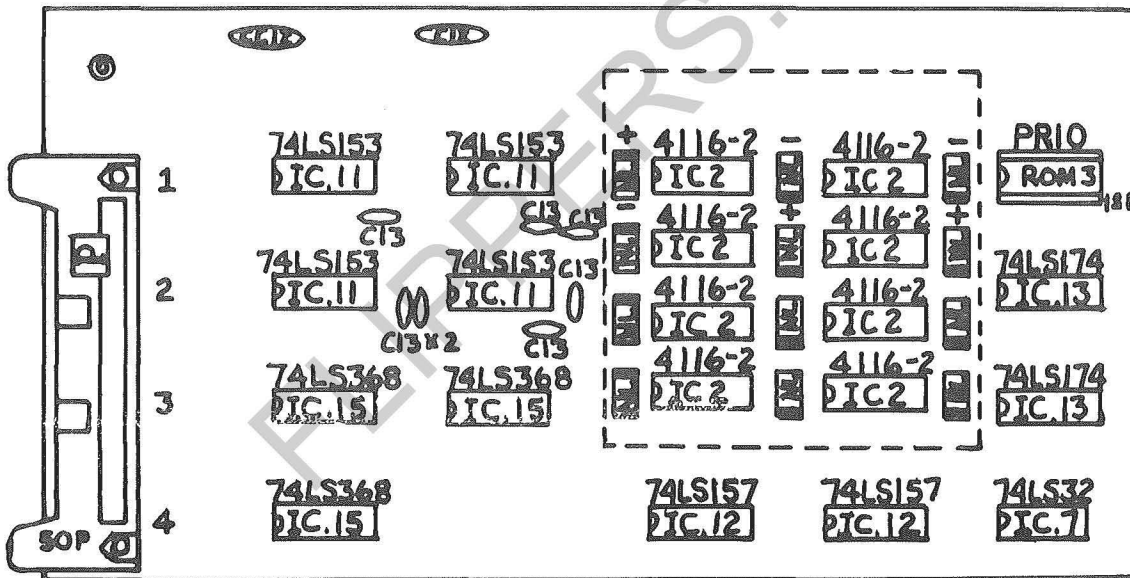
PARTS NEEDED: FOUR 1.5uf CAPACITOR (ELECTROLYTIC)

DISPOSITION OF PARTS: NONE

PROCEDURE: INSPECT CAPACITORS AROUND RAM CHIPS AT LOCATION 1C - 3C AND 1D - 3D, SEE IF POLARITY IS CORRECT (REFER TO FIGURE 1) SHADED SIDE IS WHERE NOTCH SHOULD BE.

IF CAPACITORS ARE IN WRONG, TAKE THEM OFF AND TEST FOR SHORT, THEN PUT THEM BACK IN ACCORDING TO THE ILLUSTRATION FIGURE 1.

FIGURE 1



TAITO CREDIT PCB.
"D"

POLARIS, STRATOVOX, CRAZY CLIMBER,
COLONY 7 ETC.

BOARD "D" HAS ONLY 1 SET OF
4 DIP SWITCHES.

FOR 50¢ PER PLAY, SET SWITCHES
AS FOLLOWS:

SW 1 - OFF

SW 2 - ON

SW 3 - OFF

SW 4 - OFF

For modifying older games an extra board
part # 800038 for \$31.26 (US.) is available