



16250 Technology Drive
 San Diego, California 92127-1895
 (619) 485-0910

SERVICE NOTE

TOLL-FREE NUMBERS

Technical Assistance (800) 854-1938
 Parts Assistance (800) 854-1900
 California-Only Technical (800) 722-8576
 California-Only Parts (800) 722-8575

PRIORITY:

- Urgent
- Upon Game Failure
- For Information Only

DATE: 3-16-83

GAME/ASSEMBLY

AFFECTED: STAR TREK™

NUMBER: 006

In the advent that you are experiencing difficulty controlling the volume of your game, we recommend that you exchange the existing 10K potentiometer in the Volume Control Block Assembly (Drawing No. 800-3282), page 69 of your STAR TREK™ Owner's Manual (P/N 420-0855), for a 100 ohm pot. (P/N 475-0052-00), and make the following corrections to page 68 of your Owner's Manual:

DELETE Item No. 5, and
 ADD Item No.s 29 and 30;

| <u>ITEM NO.</u> | <u>PART NO.</u> | <u>QTY REQD.</u> | | | <u>DESCRIPTION</u> |
|-----------------|-----------------|------------------|-----|-----|--------------------|
| | | -00 | -01 | -02 | |
| 29 | 283-0060-26 | - | - | 1 | Washer, #10 |
| 30 | 475-0052-00 | 1 | - | 1 | Pot., 100 ohm |

FLIPPERS.COM



16250 Technology Drive
 San Diego, California 92127-1895
 (619) 485-0910

SERVICE NOTE

TOLL-FREE NUMBERS

Technical Assistance (800) 854-1938
 Parts Assistance (800) 854-1900
 California-Only Technical (800) 722-8576
 California-Only Parts (800) 722-8575

PRIORITY:

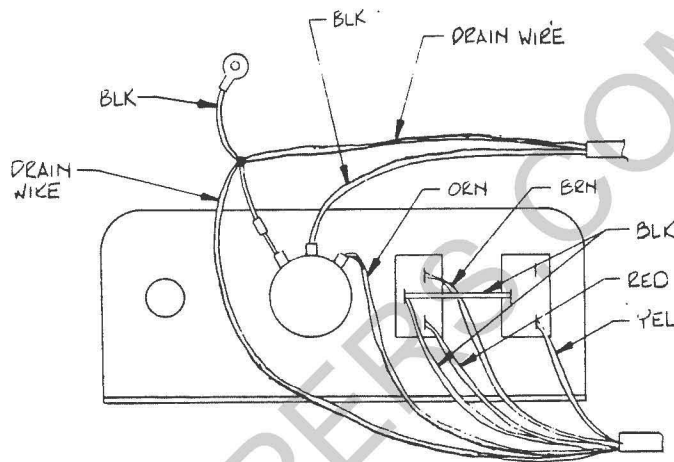
- Urgent
- Upon Game Failure
- For Information Only

DATE: 4-11-83

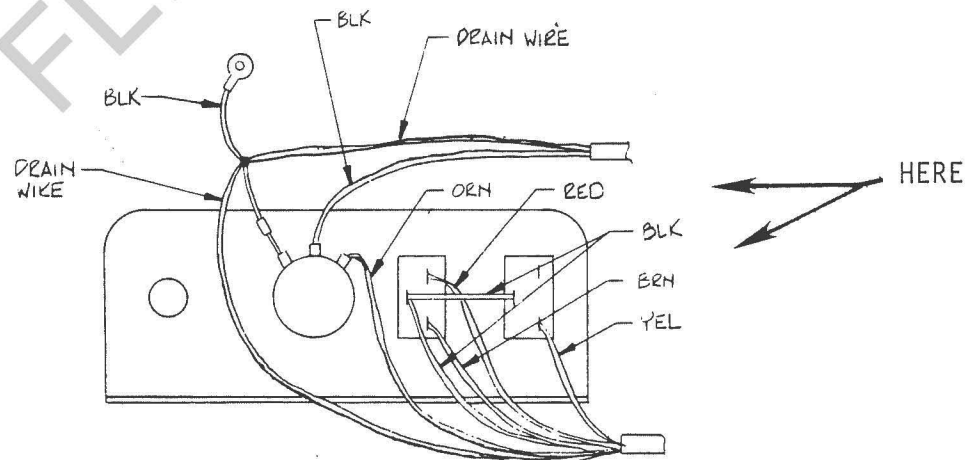
GAME/ASSEMBLY
 AFFECTED: STAR TREK™ -
 NUMBER: 83-001 Cockpit

The STAR TREK™ - Cockpit Owner's Manual (P/N 420-0972) shows the red and brown colors transposed on the Control Block Assembly (Drawing Number 800-0454). Please correct your Manual on page 74:

WAS:



IS:



- Please note that beginning with this Service Note, the indexing system has changed to a "generic-sequence" by year (i.e., 83-001).



16250 Technology Drive
 San Diego, California 92127-1895
 (619) 485-0910

SERVICE NOTE

TOLL-FREE NUMBERS

Technical Assistance (800) 854-1938
 Parts Assistance (800) 854-1900
 California-Only Technical (800) 722-8576
 California-Only Parts (800) 722-8575

PRIORITY:

- Urgent
 Upon Game Failure
 For Information Only

DATE: 4-11-83

GAME/ASSEMBLY

AFFECTED: COIN MECH.S

NUMBER: 83-002

SEGA uses two "over-and-under" style coin systems. These are used on PENGOTM, BUCK ROGERS™, and STAR TREK™ and are entirely interchangeable as sub-assemblies. Both carry the same assembly part number (P/N 220-0265); the WICO model can be distinguished from the COINCO by the presence of a rectangular protrusion located directly below the dual coin slots, as well as a manufacturer's tag placed on the case of the coin acceptors inside the coin door. Below are parts lists for the major component parts of both units:

COINCO

| <u>PART NO.</u> | <u>QTY REQD.</u> | <u>DESCRIPTION</u> |
|-----------------|------------------|----------------------------|
| 220-0309 | 1 | Harness, Coin Door |
| 220-0297 | 1 | Cash Box, Metal |
| 220-0298 | 1 | Lock, Lower Door, Flat Key |
| 220-0299 | 1 | Lock, Upper Door |
| 220-0300 | 1 | Door, Upper |
| 220-0301 | 1 | Door, Lower |
| 220-0302 | 1 | Frame |
| 510-0076 | 2 | Switch and Wire Assembly |
| 220-0316 | 1 | Bracket, Coin Counter |

WICO

| <u>PART NO.</u> | <u>QTY REQD.</u> | <u>DESCRIPTION</u> |
|-----------------|------------------|------------------------------|
| 220-0310 | 1 | Harness, Coin Door |
| 220-0303 | 1 | Cash Box, Metal |
| 510-0074 | 2 | Coin Switch |
| 600-0124 | 2 | Actuator Switch Wire |
| 220-0311 | 1 | Door Frame w/ Hinge Assembly |
| 220-0008 | 1 | Coin Meter |

Both the COINCO and WICO models use the 220-0008 Coin Meter. The original mounting bracket should be retained for re-installation.



16250 Technology Drive
San Diego, California 92127-1895
(619) 485-0910

SERVICE NOTE

TOLL-FREE NUMBERS

Technical Assistance (800) 854-1938
Parts Assistance (800) 854-1900
California-Only Technical (800) 722-8576
California-Only Parts (800) 722-8575

PRIORITY:

- Urgent
 Upon Game Failure
 For Information Only

DATE: 4-11-83

GAME/ASSEMBLY

AFFECTED: STAR TREK™

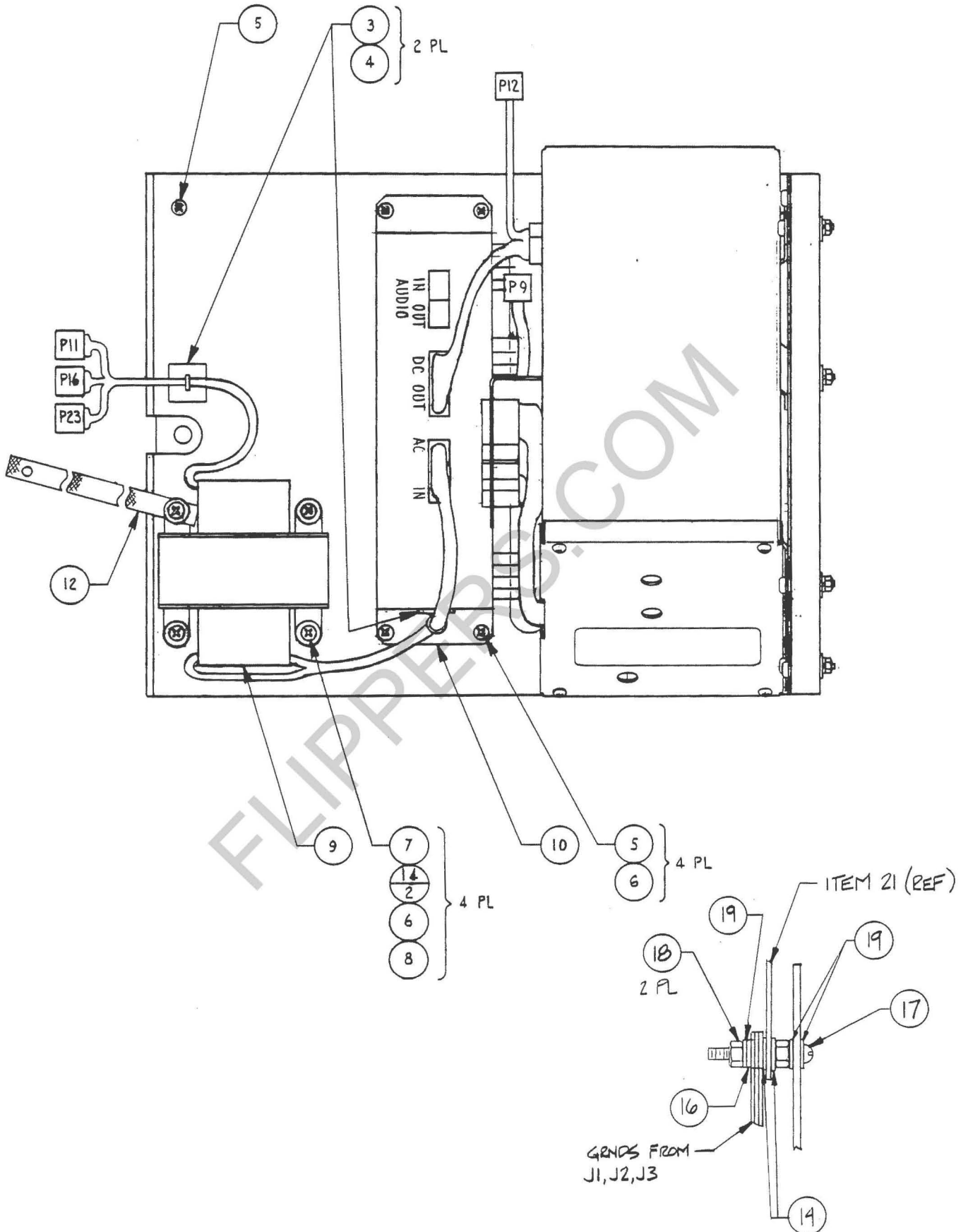
NUMBER: 83-004

In order to fully document the FCC approved version of the Component Shelf Assembly (P/N 800-3304) with which all 700-0109 Top Assemblies are equipped, please replace pages 96, 97 and 98 in your STAR TREK™ Owner's Manual (P/N 420-0855) with the following pages:

FLIPPERS.COM

Component Shelf Assembly

800-3304



DETAIL "X"

SCALE: NONE
-01 ASSY ONLY

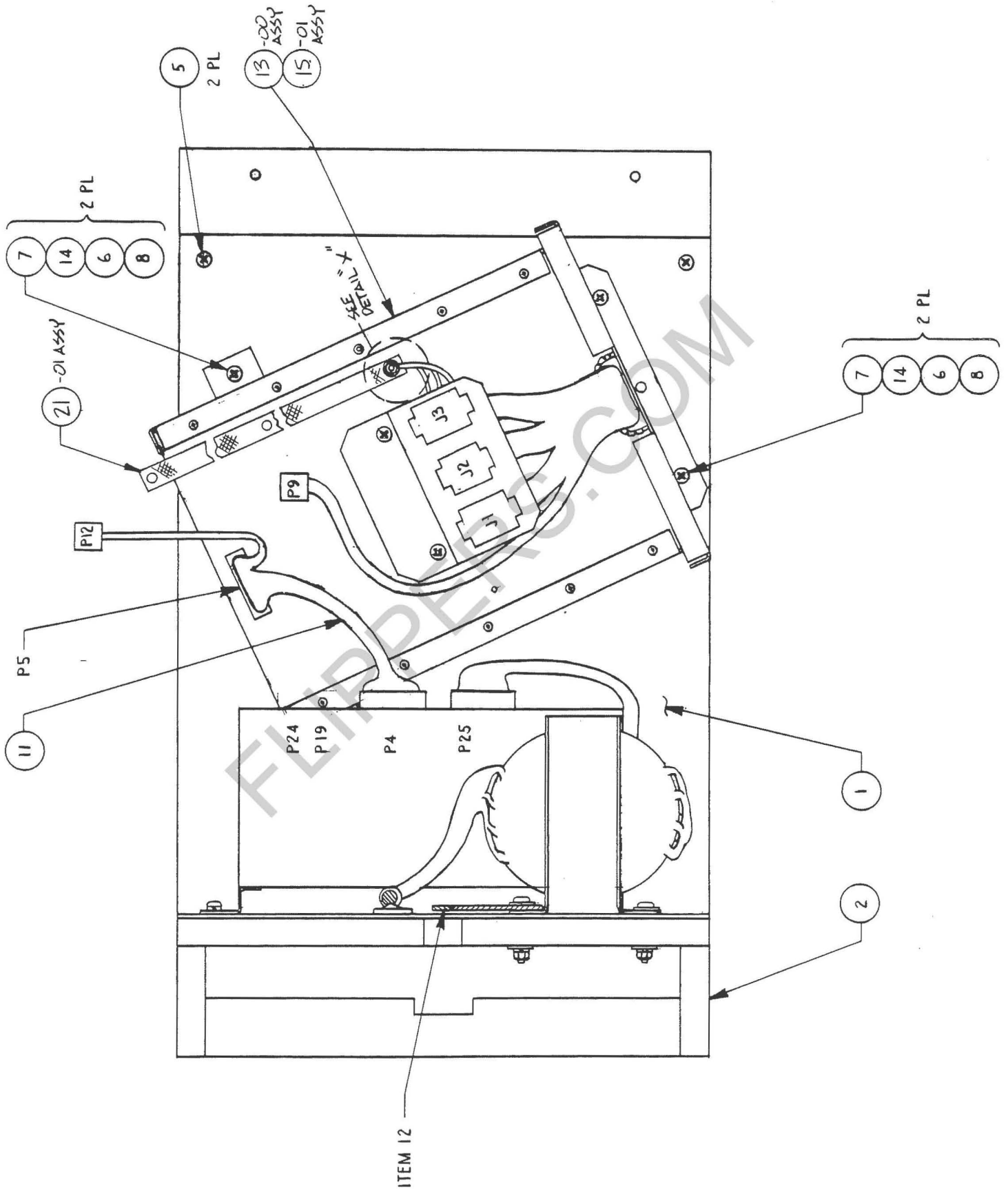
COMPONENT SHELF ASSEMBLY

DRAWING NUMBER 800-3304

| <u>ITEM NO.</u> | <u>PART NO.</u> | <u>QTY REQD.</u> | <u>DESCRIPTION</u> |
|-----------------|-----------------|------------------|-------------------------------|
| | | -00 | |
| 1 | 250-0610-00 | 1 | Ground Plane |
| 2 | 252-0250-00 | 1 | Component Shelf |
| 3 | 280-0005-00 | 2 | Cable Tie |
| 4 | 280-0327-00 | 2 | Base Tie Wrap |
| 5 | 281-0045-12 | 7 | SCR, 10-16 X .750, PN HD PHIL |
| 6 | 283-0061-06 | 12 | Washer, #10 Lock |
| 7 | 281-0005-24 | 8 | SCR, 10-24 X 1.50, PN HD PHIL |
| 8 | 283-0072-15 | 8 | Nut, 10-24, Hex |
| 9 | 800-0190-01 | 1 | EMI Xformer Assembly |
| 10 | 800-0191-02 | 1 | G-80 Power Supply Assembly |
| 11 | 800-0482-01 | 1 | Power Harness Assembly |
| 12 | 800-0423-05 | 1 | Ground Strap Assembly |
| 13 | 800-3305-00 | 1 | Game Electronics Assembly |
| 14 | 283-0060-26 | 12 | Washer, #10 Flat |

Component Shelf Assembly

800-3304





16250 Technology Drive
San Diego, California 92127-1895
(619) 485-0910

SERVICE NOTE

TOLL-FREE NUMBERS

Technical Assistance (800) 854-1938
Parts Assistance (800) 854-1900
California-Only Technical (800) 722-8576
California-Only Parts (800) 722-8575

PRIORITY:

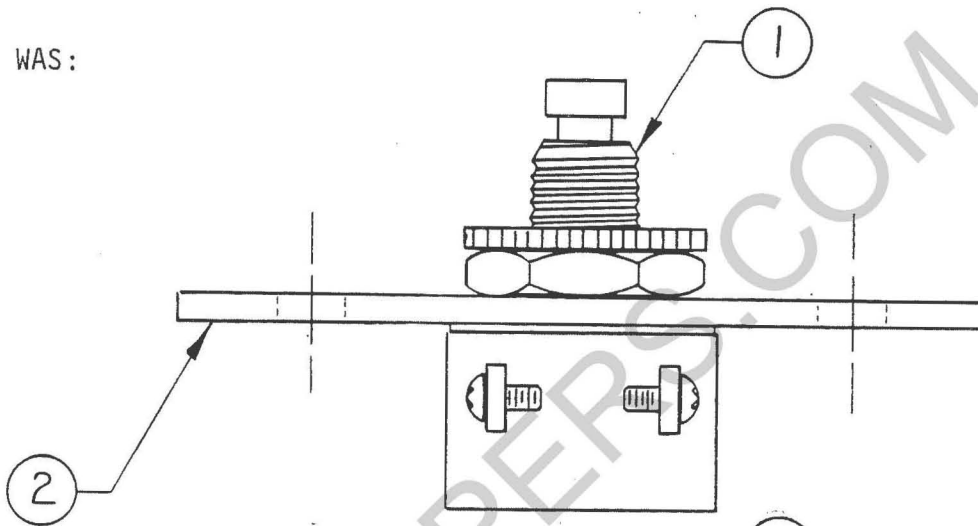
- Urgent
- Upon Game Failure
- For Information Only

DATE: 4-29-83

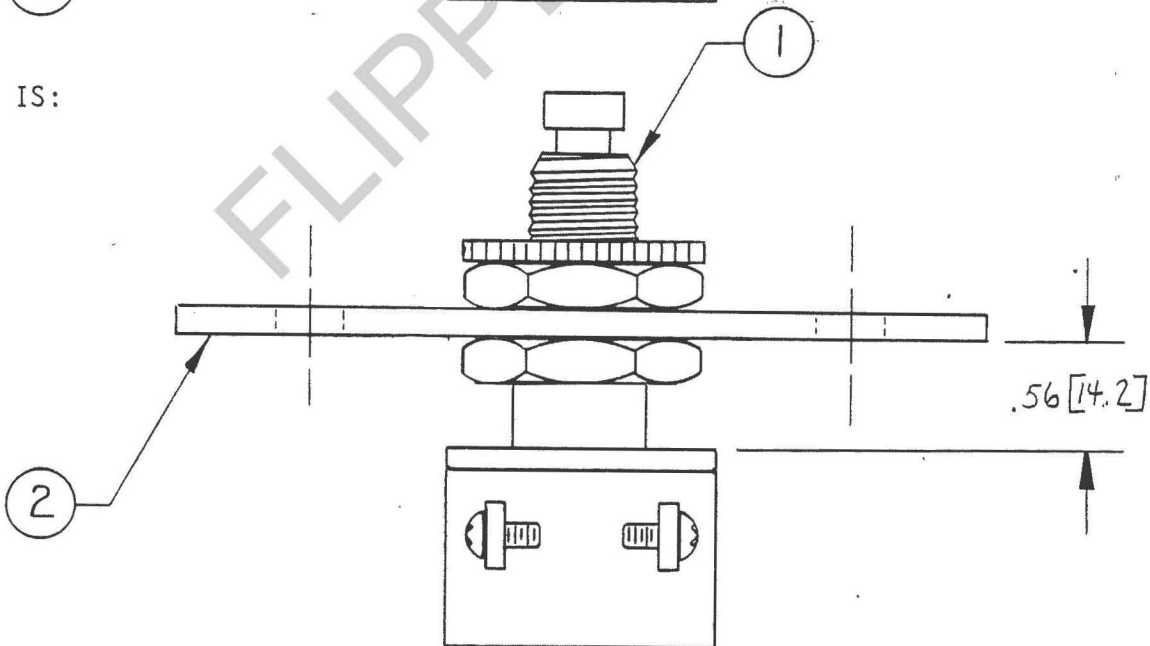
GAME/ASSEMBLY
AFFECTED: STAR TREK™
NUMBER: 83-005 Cockpit

An error has been found in the illustration for the Switch Assembly (Drawing Number 800-0444), page 78 of your STAR TREK™- Cockpit Owner's Manual (P/N 420-0972). Please make the following correction to your Manual:

WAS:



IS:





16250 Technology Drive
San Diego, California 92127-1895
(619) 485-0910

SERVICE NOTE

TOLL-FREE NUMBERS

Technical Assistance (800) 854-1938
Parts Assistance (800) 854-1900
California-Only Technical (800) 722-8576
California-Only Parts (800) 722-8575

PRIORITY:

- Urgent
 Upon Game Failure
 For Information Only

DATE: 4-5-83

GAME/ASSEMBLY

AFFECTED: STAR TREK™

NUMBER: 83-006 Cockpit

An error has been found on the parts list for the Seat Module (Drawing Number 800-3362), page 67 of the STAR TREK™ - Cockpit Owner's Manual (P/N 420-0972). Please correct Item No. 20 to reflect the following:

| <u>ITEM NO.</u> | <u>PART NO.</u> | <u>QTY REQD.</u> | <u>DESCRIPTION</u> |
|-----------------|-----------------|------------------|--|
| 20 | 282-0060-06 | 6 | Bolt, 1/4-20 X 30mm, CONN JOINT, Carriage |

FLIPPERS.COM



16250 Technology Drive
San Diego, California 92127-1895
(619) 485-0910

ServiceNote

TOLL-FREE NUMBERS

Technical Assistance (800) 854-1938
Parts Assistance (800) 854-1900
California-Only Technical (800) 722-8576
California-Only Parts (800) 722-8575

PRIORITY:

- Urgent
 As Required
 For Information Only

DATE: 5-16-83

NUMBER: 83-012

GAME/ASSEMBLY AFFECTED: STAR TREK™ - Cockpit
700-0129-01 Top Assembly

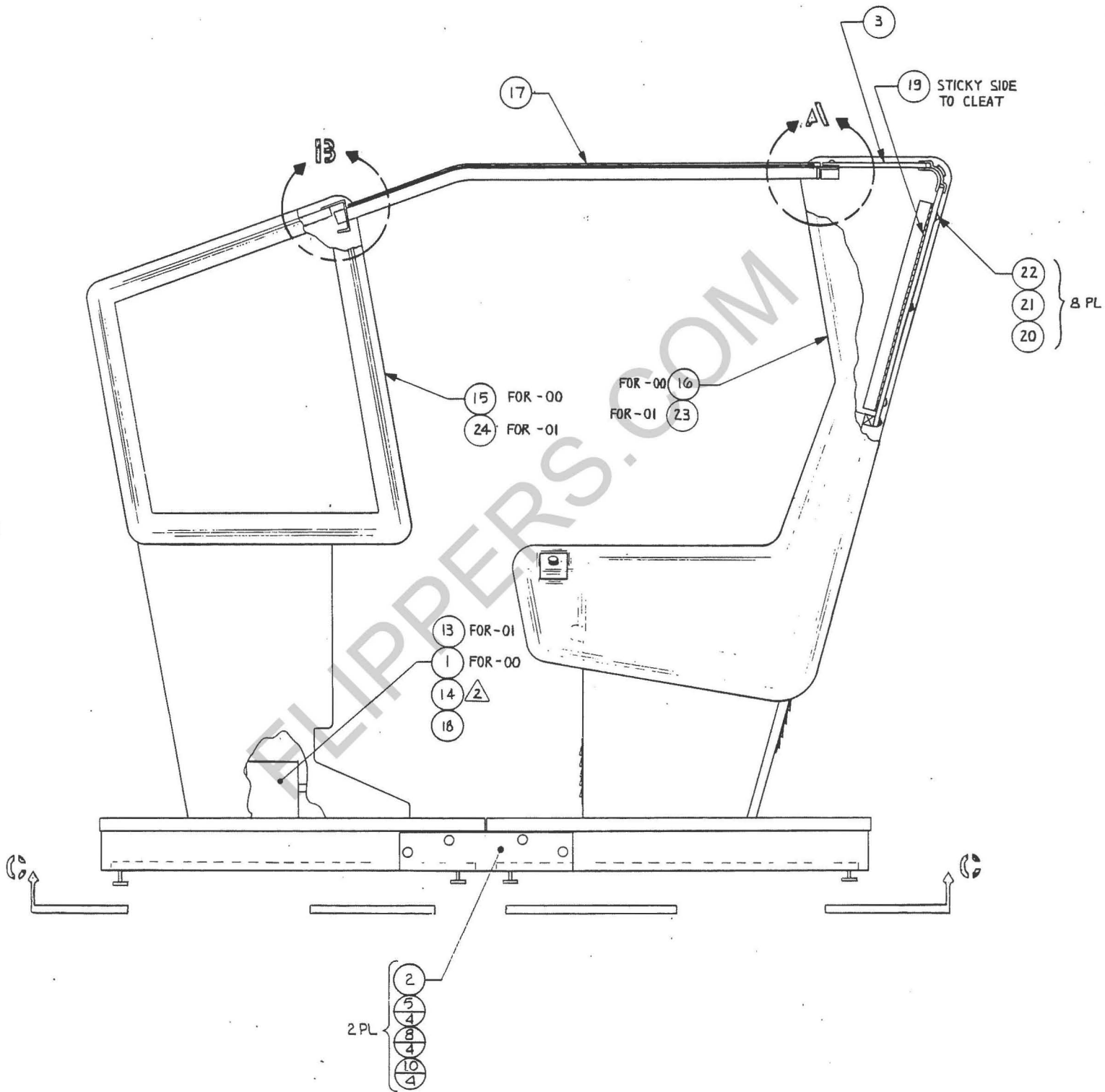
SUBJECT: Addition of new Top Assembly

ACTION: Please, add the following pages to your Owner's Manual (P/N 420-0972).

FLIPPERS.COM

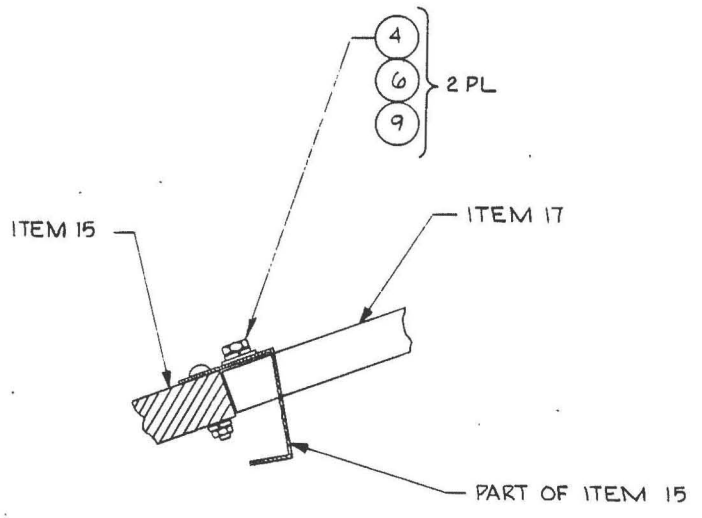
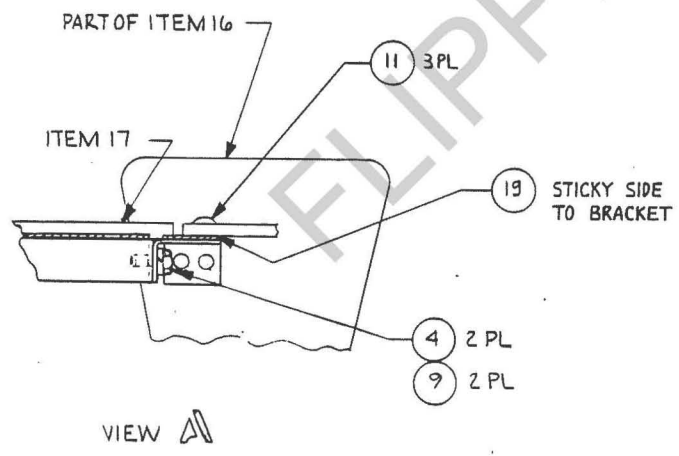
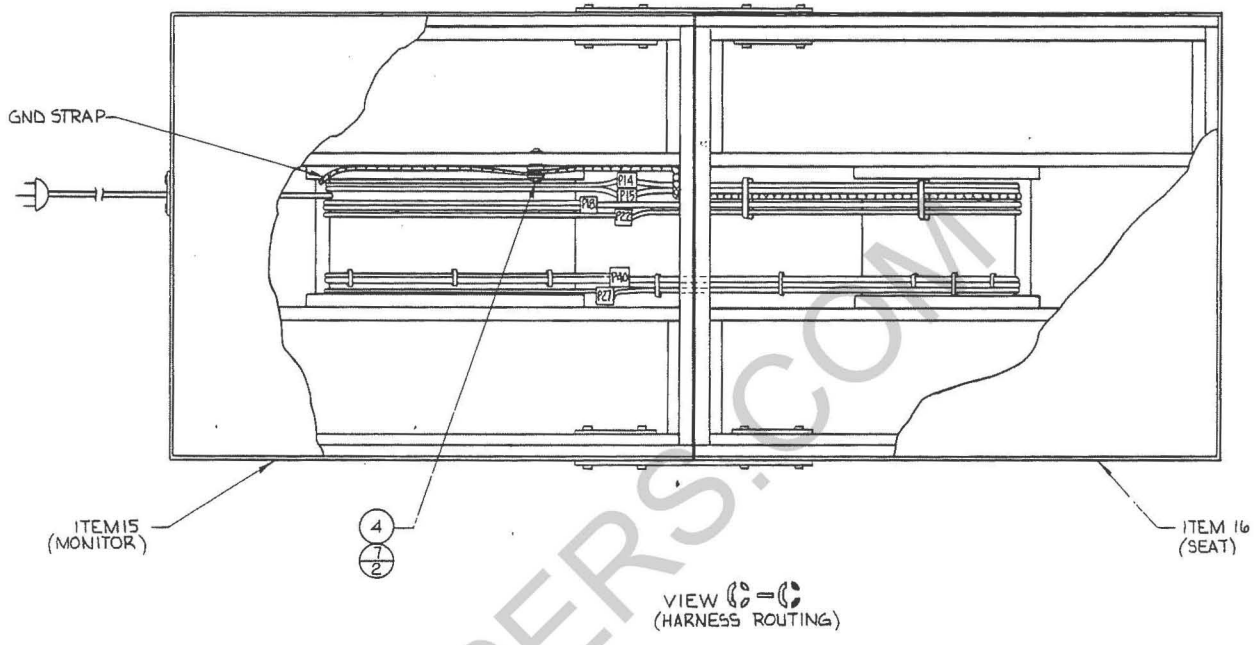
Top Assembly

700-0129



Top Assembly

700-0129



VIEW 13
SCALE: 1:2

TOP ASSEMBLY

DRAWING NUMBER 700-0129

| <u>ITEM NO.</u> | <u>PART NO.</u> | <u>QTY REQD.</u> | | <u>DESCRIPTION</u> |
|-----------------|-----------------|------------------|-----|------------------------------|
| | | -00 | -01 | |
| 1 | 250-0583-00 | 1 | - | Cash Box |
| 2 | 250-0589-00 | 2 | 2 | Bracket, Base |
| 3 | 253-0292-00 | 1 | 1 | Cover, Transparent Seat Back |
| 4 | 282-0017-12 | 5 | 5 | Bolt, Hex Hd. 1/4-20 X .75 |
| 5 | 282-0019-36 | 8 | 8 | Bolt, Hex Hd. 3/8-16 X 2.25 |
| 6 | 283-0060-32 | 2 | 2 | Washer, Flat 1/4" |
| 7 | 283-0060-33 | 2 | 2 | Washer, Flat 1/4" wide |
| 8 | 283-0060-40 | 8 | 8 | Washer, Flat 3/8" |
| 9 | 283-0061-08 | 4 | 4 | Washer, Lock Split 1/4" |
| 10 | 283-0061-10 | 8 | 8 | Washer, Lock Split 3/8" |
| 11 | 289-0010-04 | 3 | 3 | Rivet, Blind Nylon |
| 12 | 420-0861-00 | 1 | 1 | Box Decal |
| 13 | 250-0659-00 | - | 1 | Cash Box |
| 14 | 420-0972-00 | 1 | 1 | Owner's Manual |
| 15 | 800-3361-00 | 1 | - | Monitor Module |
| 16 | 800-3362-00 | 1 | - | Seat Module |
| 17 | 800-0417-00 | 1 | 1 | Canopy Assembly |
| 18 | 420-1011-00 | 1 | 1 | Notification, Ext. Switch |
| 19 | 320-0068-00 | A/R | A/R | Tape, Foam |
| 20 | 289-0011-02 | 8 | 8 | Nut, 6-32 Expansion, Rubber |
| 21 | 289-0012-00 | 8 | 8 | Washer, #6 Nylon |
| 22 | 281-0202-16 | 8 | 8 | Screw, 6-32 X 1.00 Black |
| 23 | 800-3421-00 | - | 1 | Seat Module |
| 24 | 800-3422-00 | - | 1 | Monitor Module |



16250 Technology Drive
San Diego, California 92127-1895
(619) 485-0910

Service Note

TOLL-FREE NUMBERS

Technical Assistance (800) 854-1938
Parts Assistance (800) 854-1900
California-Only Technical (800) 722-8576
California-Only Parts (800) 722-8575

PRIORITY:

- Urgent
 As Required
 For Information Only

DATE: 5-16-83

NUMBER: 83-013

GAME/ASSEMBLY AFFECTED: STAR TREK™ - Cockpit

Monitor Module Assembly (P/N 800-3361)

SUBJECT: Parts List correction; Owner's Manual (P/N 420-0972) page 60.

ACTION: Delete Item No. 40; Top Graphics not used.

FLIPPERS.COM