

FEB 16 1982



# SERVICE NOTE

EFFECT: 005

NUMBER: 001 2/4/82

Due to programming changes, Points Scoring values have changed as indicated. Please correct your 005 Owner's Manual (P/N 420-0692), page number 7.

### Scoring

Attache case delivered to helicopter.....	5,000
Guard knocked-out.....	200
Entering a building with:	
No stun-gas cannister.....	500
1 stun-gas cannister.....	500
2 stun-gas cannisters.....	500
Shooting down:	
Parachute bomb.....	50
Balloon bomb.....	200
Enemy helicopter.....	5,000+
(1,000) X (No. of delivered attache cases)	

APR 16 1982

**SEGA<sup>®</sup>/Gremlin<sup>®</sup>**

## SERVICE NOTE

**EFFECT:** 005

**NUMBER:** 002      2/19/82

An additional cabinet model has been added to the 005 video game line. Please include the following pages into your Owner's Manual (P/N 420-0692)

FLIPPERS.COM

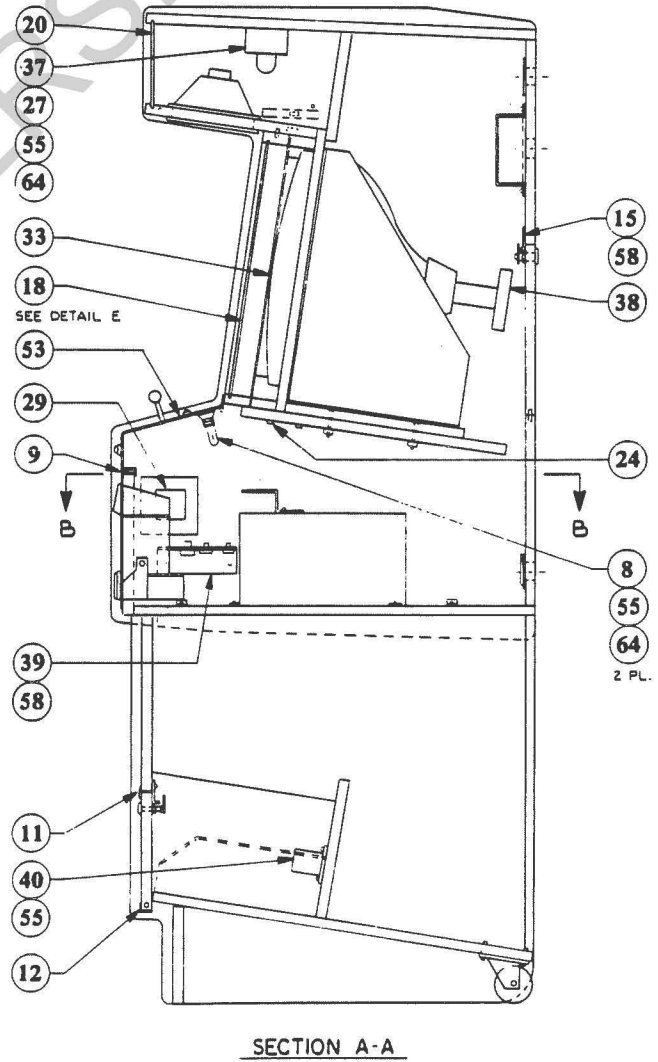
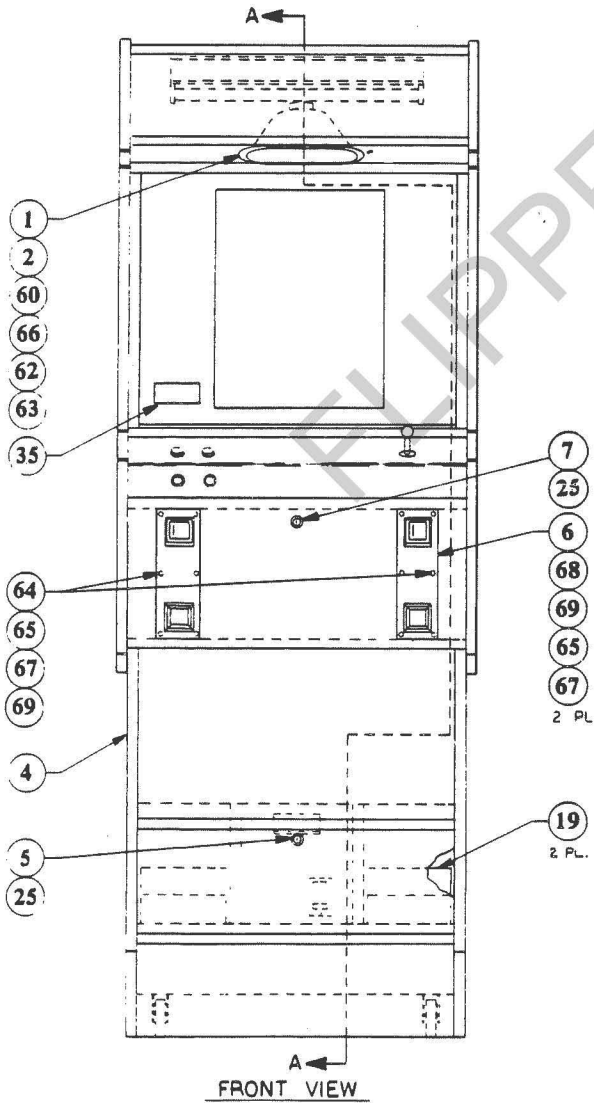
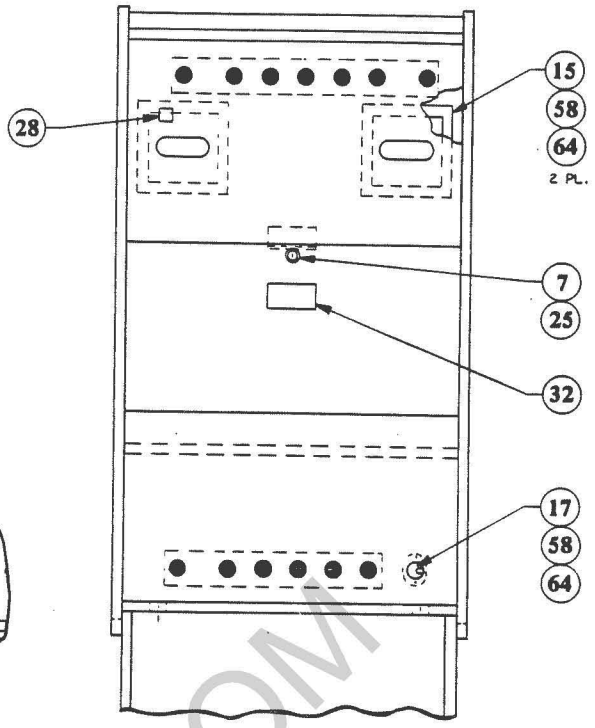
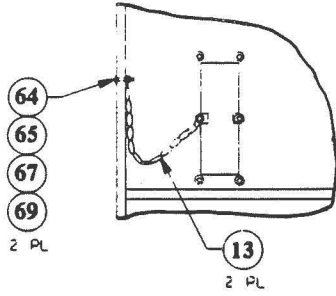
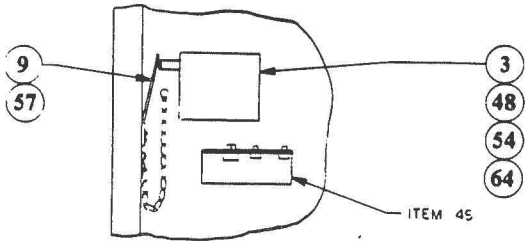
## TOP ASSEMBLY

DRAWING NUMBER 700-0082

<u>ITEM NO.</u>	<u>GREMLIN PART NO.</u>	<u>QTY.</u>	<u>DESCRIPTION</u>
25	390-0019	1	Lamp Fluorescent
26	420-0028	1	Decal S/N
27	420-0030	1	Decal Caution
28	420-0041	1	Decal S/N Small
29	420-0486	1	Manual Electrohome Mon.
30	420-0568	1	Decal FCC
31	420-0699	1	Graphic Interior
32	420-0692	1	Manual 005
33	420-0693	1	Decal Game Instructions
34	800-0147	1	Assy. Fluorescent Lamp 2
35	800-0165	1	Assy. Monitor Color
36	800-0175	1	Assy. Vol. Control Block
37	800-0179	1	Assy. Coin Counter
38	800-0196	1	Assy. Harness Video
39	800-0217	1	Assy. Harness Speaker
40	800-0230	1	Assy. Harn. Cont. Pnl. Interface
41	800-0231	1	Assy. Harn Grnd. Coin Mech.
42	800-0232	1	Assy. Harn Grnd. Interface
43	800-0234	1	Assy. Harness Mon. Grnd.
44	800-0236	1	Assy. Harness Coin Mech.
45	800-0268	1	Assy. Harn Power
46	800-0269	1	Assy. J-Box
47	800-0270	1	Assy. Power Supply
48	800-0271	1	Assy. Harn. Grnd. Switcher

# Top Assembly

## 700-0082



# Top Assembly

700-0082

