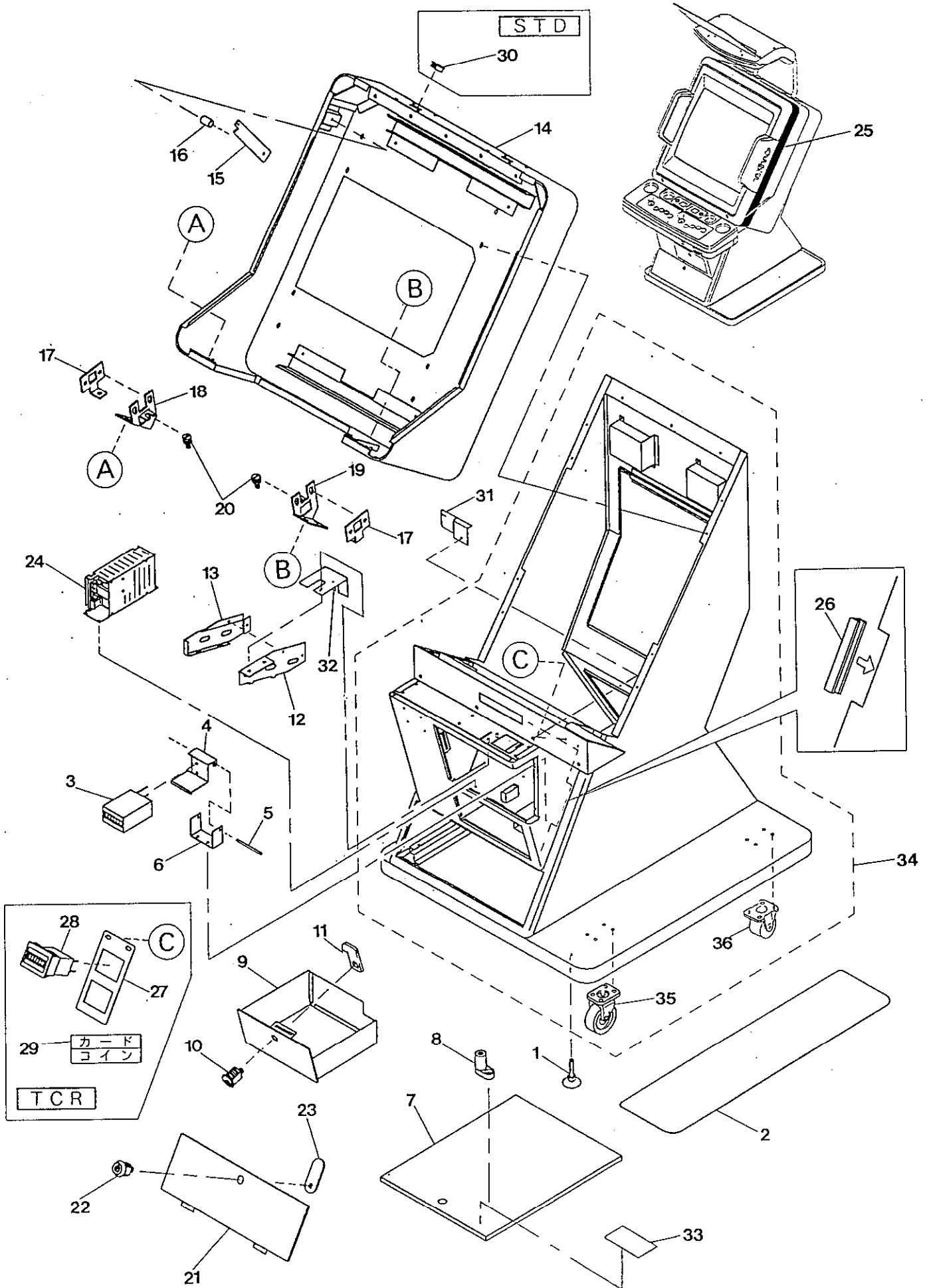


EGRET 29™

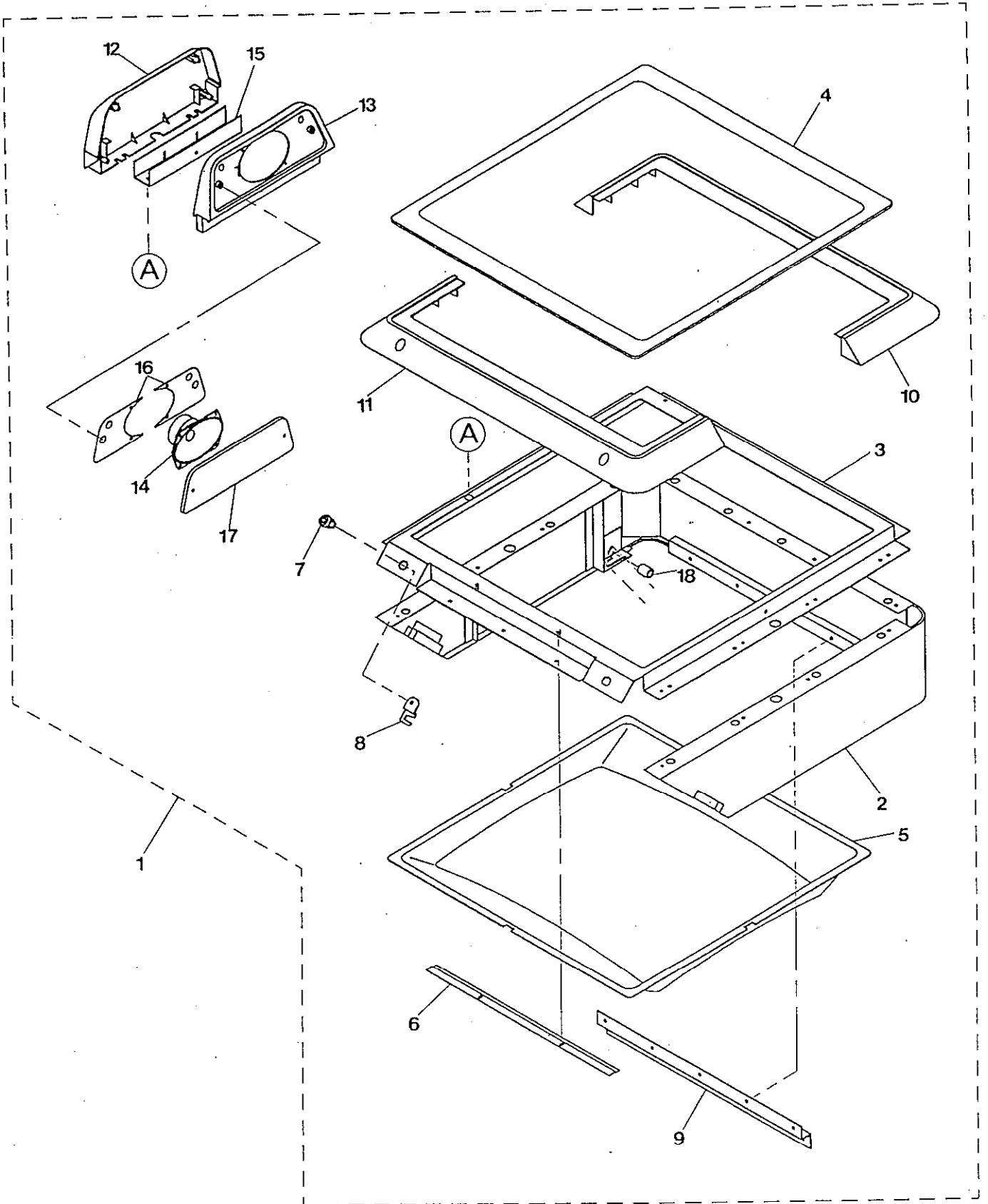
PARTS CATALOGUE

E30 10456A	CABINET	17
M90 03101A	FRONT BOX ASSY	19
M90 03102A	MONITOR ROLL ASSY	21
———	CONTROL BOX ASSY	23
———	CONTROL PANEL ASSY	25
M05 00264A	REJECTOR DOOR ASSY	27
M90 03106A	ELECTRIC BASE ASSY	29
M90 03120A	ILLUMINATION BOX ASSY	31

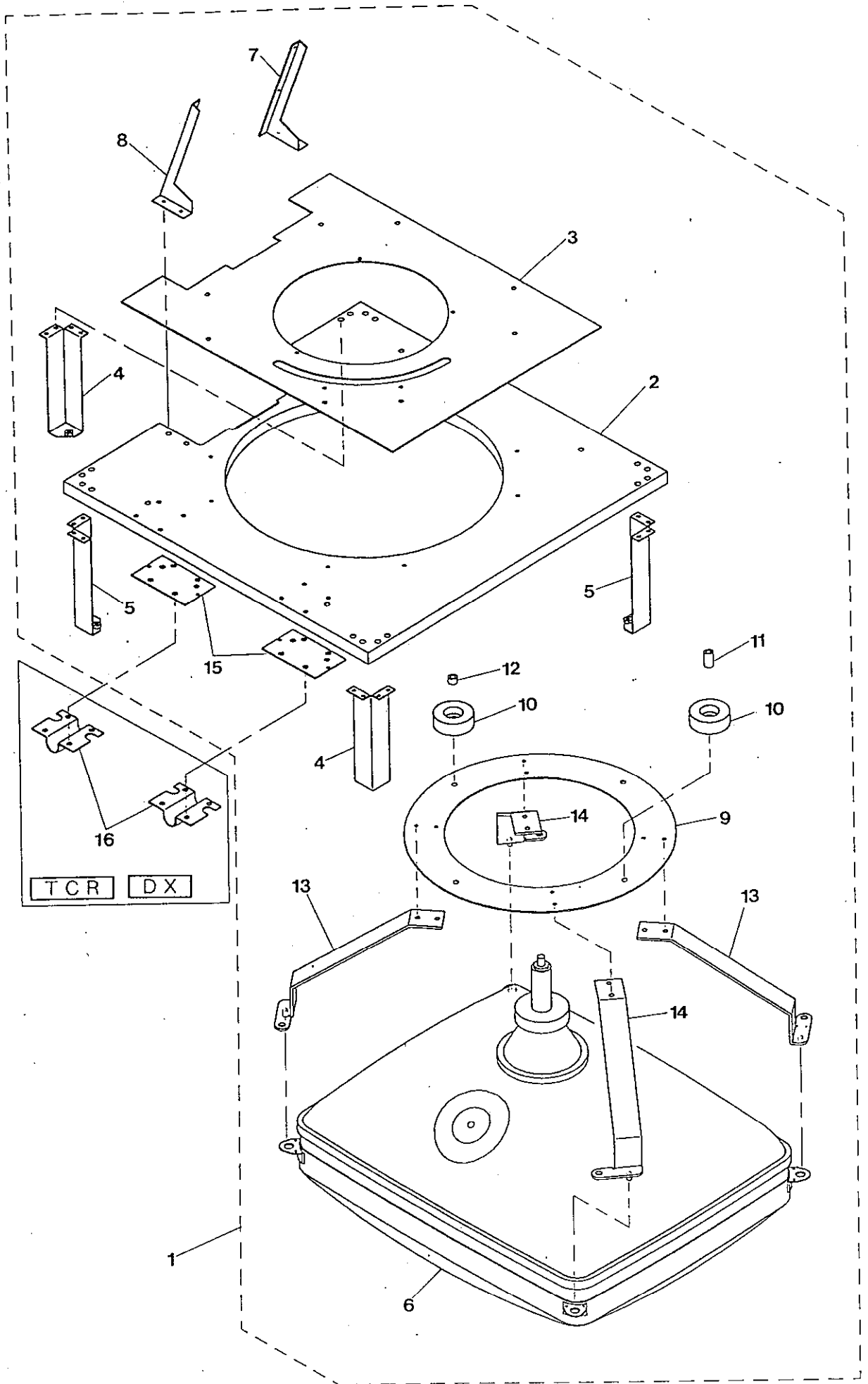
本機は、コントロール部等が青色のタイプと赤色のタイプがあり、当てはまる部品にのみ部品番号の前にいずれかを表示しています。



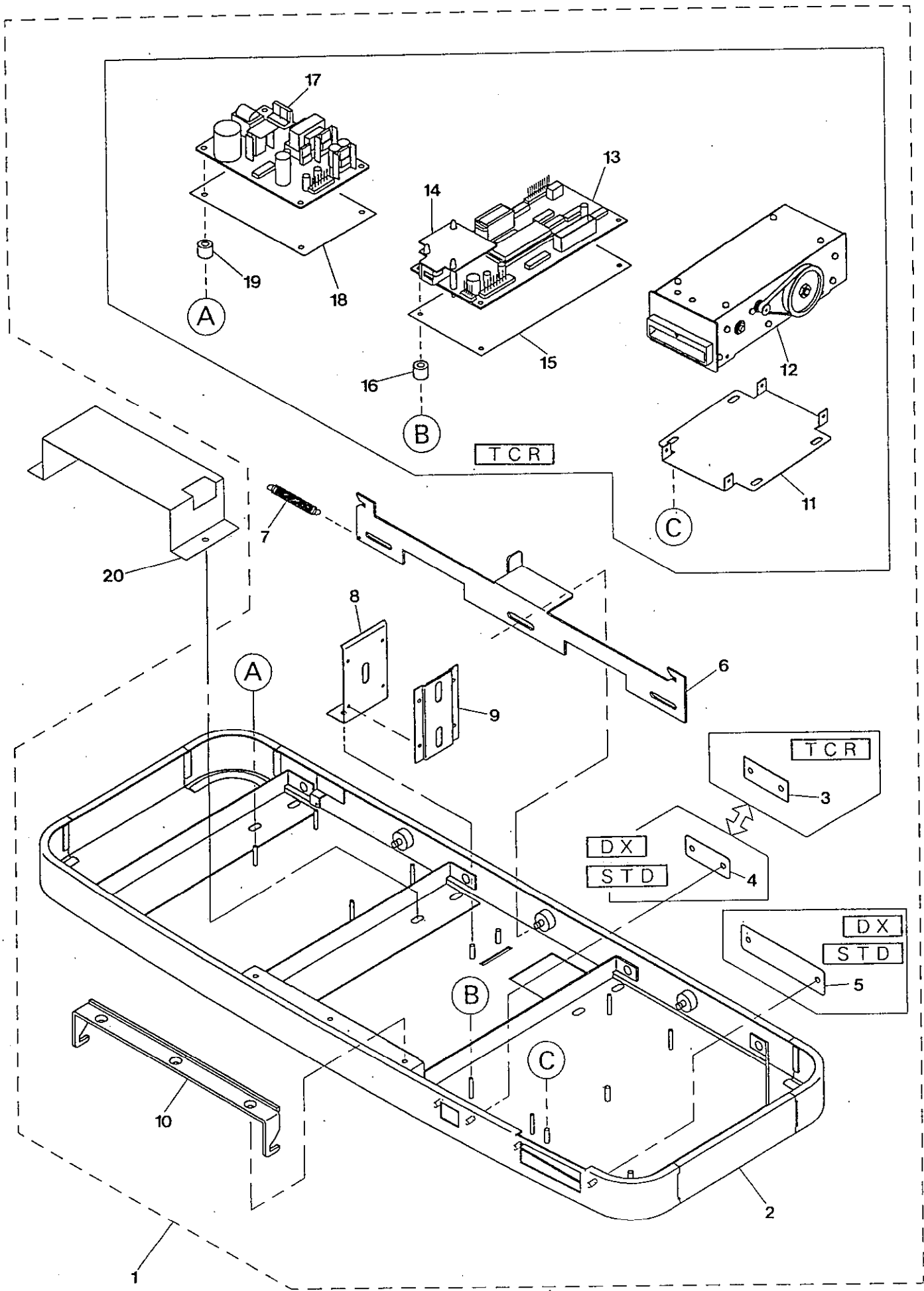
ITEM	PARTS	No.	DESCRIPTION	
1	E30	10598A	ADJUSTER H=67	
2	F90	03141B	MAT	
3	C17	00054A	COUNTER	NX-06R DC5V
4	E30	10595A	COUNTER STAY	
5	E10	01294A	COUNTER SHAFT	
6	E30	10594A	COUNTER BRACKET	
7	D20	01247A	PCB BOARD	
8	F90	00668A	RES LOCK	0L-E3
9	E30	10459B	CASH BOX	
10	E50	00102B	DOM LOCK	C820 (R) W/2 90
11	E30	11774A	LOCK PLATE	
12	E30	11285A	COIN CHUTE A-N	
13	E30	11286B	COIN CHUTE B-N	
14	E30	10460A	TV BOX	
15	E30	10599A	STAY	
16	P57	00034A	SPACER	5x4
17	E30	10591A	KEY HOOK	
18	E30	10596B	KEY HOOK BASE L	
19	E30	10597B	KEY HOOK BASE R	
20	E10	01293A	KEY SCREW	
21	E30	10462A	PCB DOOR	
22	E50	00127B	LOCK SINGLE	LY-0069
23	E30	00009A	LOCK PLATE	
24	M41	00079A	SWITCHING REGULATOR	ETX-951C5J
25	青G15	00879C	BODY STICKER SHEET	
	赤G15	01001A	BODY STICKER SHEET RED	
26	F90	03219A	EDGING	NKE-024
27	E30	10701A	METER BRACKET	
28	C17	00055A	COUNTER	NX-06P DC24V
29	G10	00838A	COUNTER STICKER	
30	F90	01053A	BUTTON COVER	DP-1187
31	E30	11770A	LOCK BRACKET	
32	E30	11287A	CHUTE SUPPORT	
33	G10	01180A	P STICKER	
	L10	00273A	MAIN HARNESS	
	L20	00408A	SUB HARNESS	W-60P
34	E30	10456B	CABINET	
35	E50	60482A	CASTER	E50N
36	E50	60485A	CASTER	ER50N



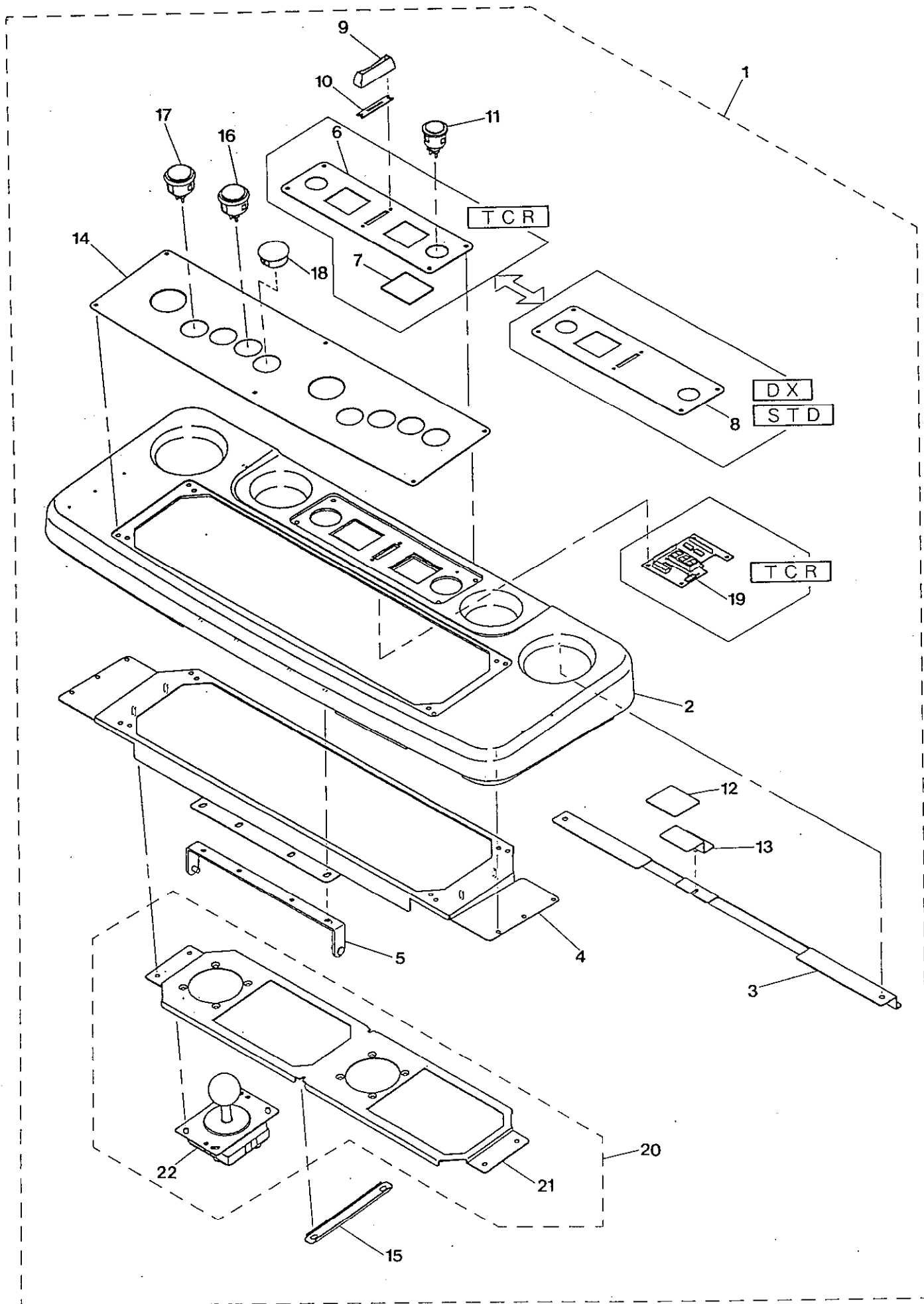
ITEM	PARTS	No.	DESCRIPTION	
1	M90 03101A		FRONT BOX ASSY	
2	E30 10464A		FRONT BOX	
3	E30 10603A		MASK BASE	
4	G95 00732A		FRONT GLASS	
5	F90 03076B		VIDEO MASK 29"	
6	E30 10604A		MASK SUPPORT	
7	E50 00137B		LOCK DOUBLE	LY-0069
8	E30 10605A		KEY PLATE	
9	E50 60484A		TOP HINGE	
10	F90 03069B		FRONT PANEL A	
11	F90 03070C		FRONT PANEL B	
12	F90 03071C		SPEAKER BOX A	
13	F90 03072C		SPEAKER BOX B	
14	A60 00086A		SPEAKER	8 OHM 5.5W 3x5
15	E30 10601A		SPEAKER BOX SUPPORT	
16	H30 00075A		SPEAKER BOX INNER	
17	E30 10602A		SPEAKER COVER	
18	F90 01926A		PANEL SPACER	5.2x10x3.5
	L90 02897A		SP JOINT HARNESS	
	L90 02898A		SPEAKER HARNESS	



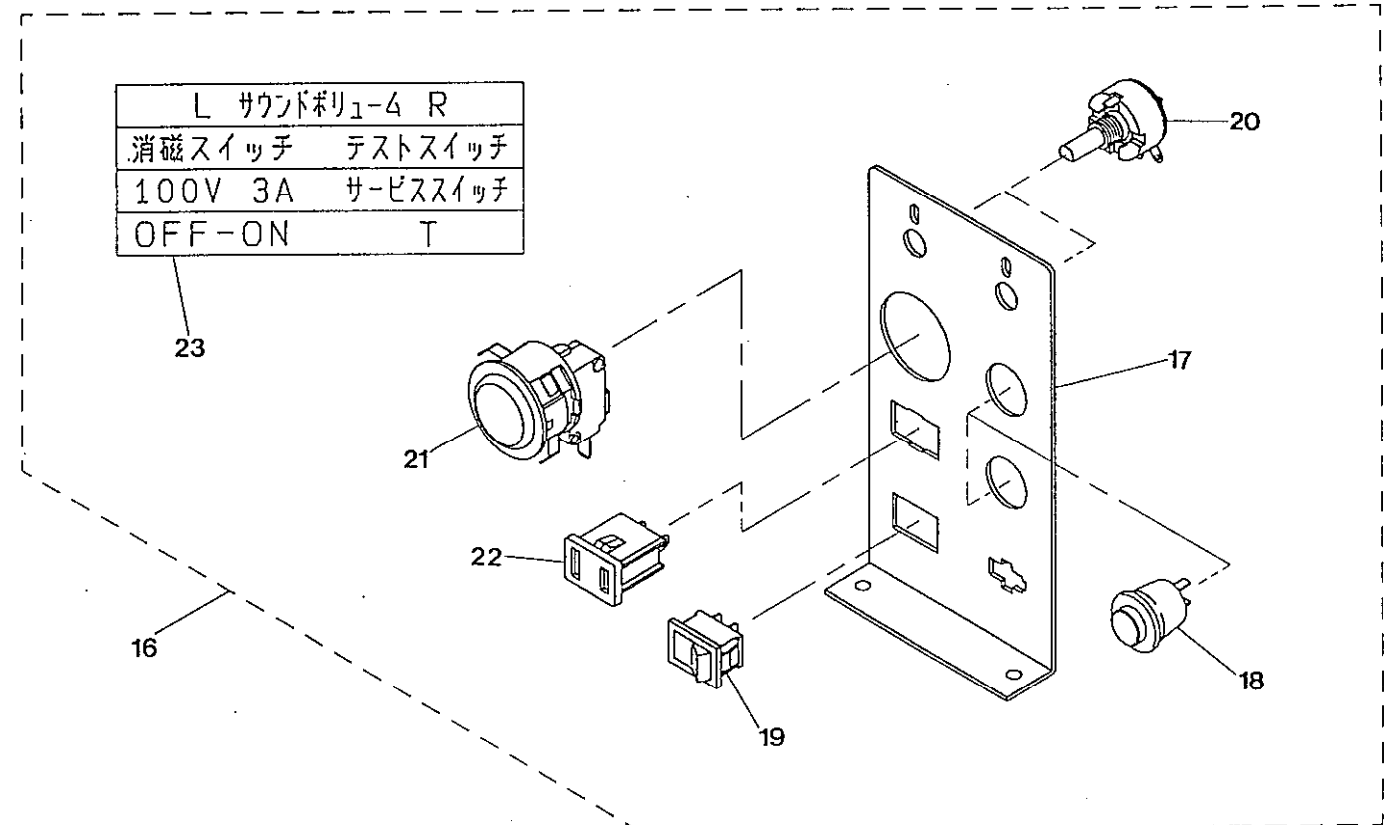
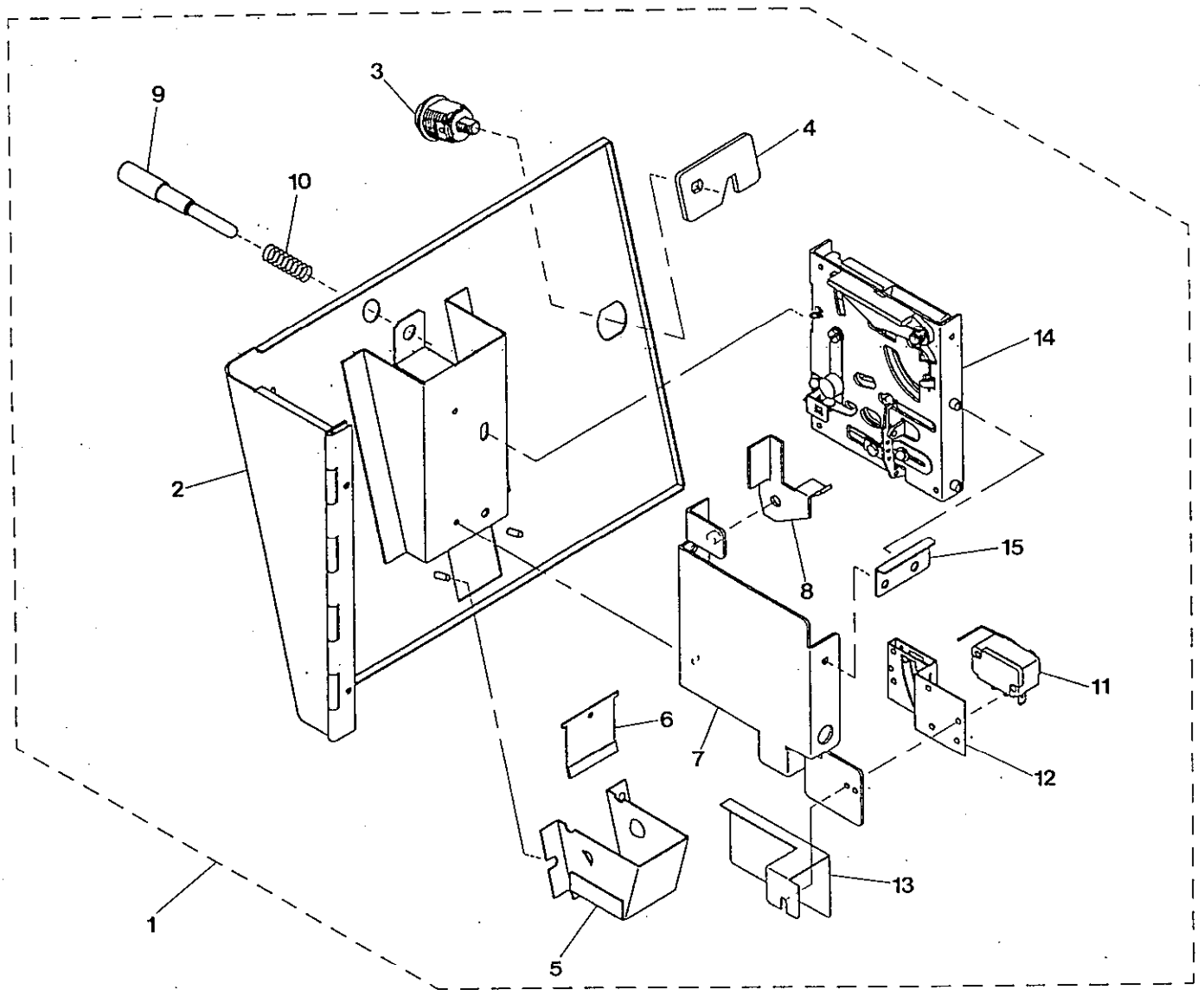
ITEM	PARTS	No.	DESCRIPTION	
1	M90	03102A	MONITOR ROLL ASSY	
2	D20	01248B	VIDEO BOARD	
3	E30	10611A	UNDER BASE	
4	E30	10609B	VIDEO SUPPORT L	
5	E30	10610A	VIDEO SUPPORT R	
6	M11	00001A	VIDEO ASSY 29"	MS8-29FTB
7	E30	10612A	TV PCB ANGLE L	
8	E30	10613A	TV PCB ANGLE R	
9	E30	10606A	VIDEO BASE	
10	F90	03142B	MONITOR ROLLER	
11	E10	01295A	COLLAR L	
12	E10	01296A	COLLAR S	
13	E30	10607A	VIDEO ANGLE A	
14	E30	10608A	VIDEO ANGLE B	
15	E30	10814A	PIPE PLATE	
16	E30	10815A	PIPE SUPPORT	



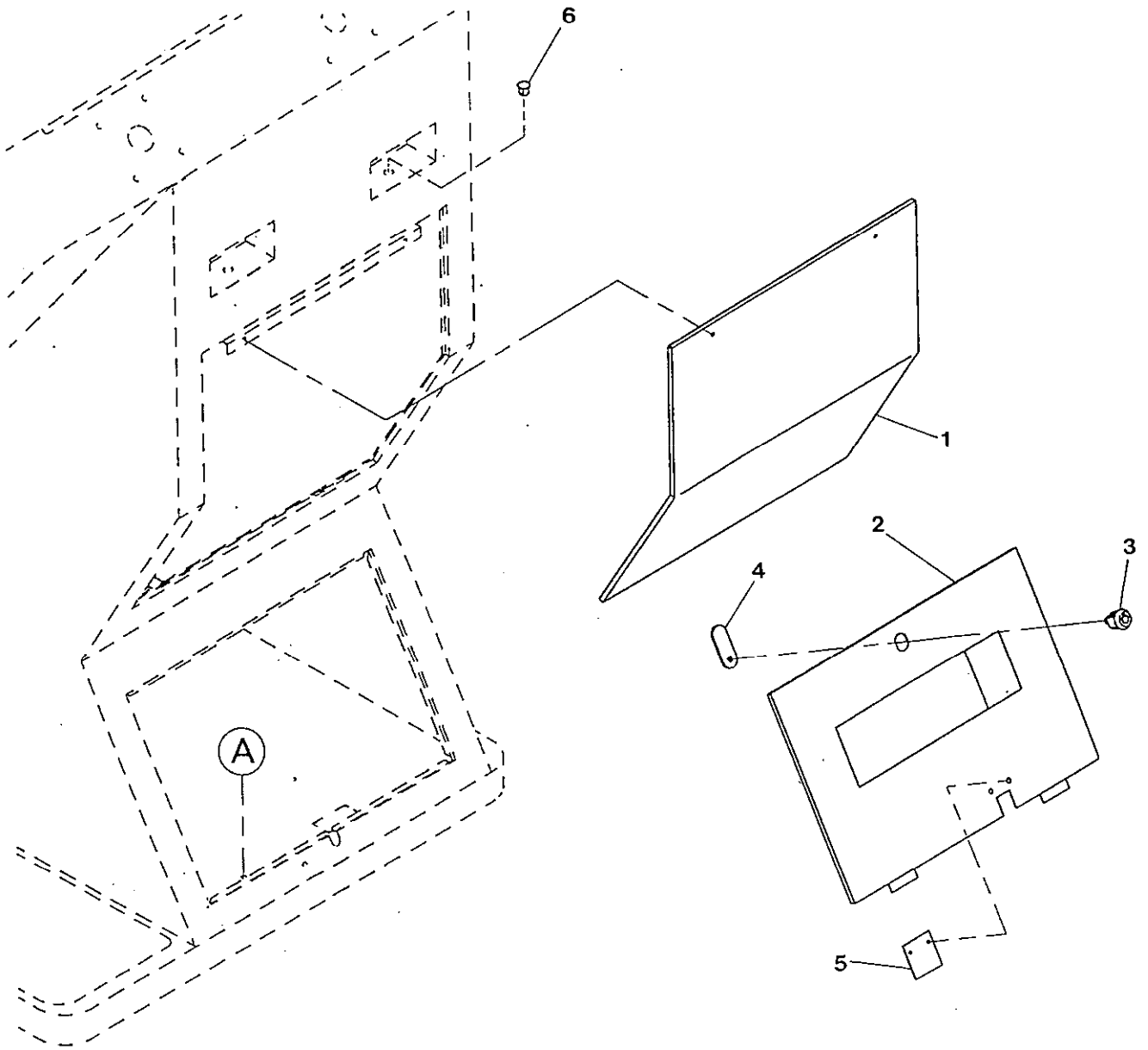
ITEM	PARTS	No.	DESCRIPTION	
1	————		CONTROL BOX ASSY	
2	E30 10458A		CONTROL BOX	
3	F90 03170A		IR COVER	
4	E30 10617A		IR MASK	
5	E30 10618A		CARD READER MASK	
6	E30 10614A		LOCK SLIDE	
7	E40 00388A		LOCK SPRING	
8	E30 10615A		COIN GUIDE A	
9	E30 10616A		COIN GUIDE B	
10	E30 10619A		UNDER HANGER	
11	E30 10702A		READER BASE	
12	M90 01269A		CARD READ WRITER	KU-A201-NTB
13	K91 00298B		TERMINAL PC BOARD ASSY	TCR-100A
14	K91 00145A		IR ADAPTER PC BOARD ASSY	
15	F90 03172A		INSULATOR	
16	F90 00912A		PLASTIC SPACER	3x6x7
17	M41 00025A		SWITCHING REGULATOR	ETU-2MU01P
18	F90 01360A		INSULATOR	
19	F90 00912A		PLASTIC SPACER	3x6x7
	L90 01227A		M HARNESS	
	L90 02825C		RELAY HARNESS	
20	E30 11262A		SWITCHING COVER	



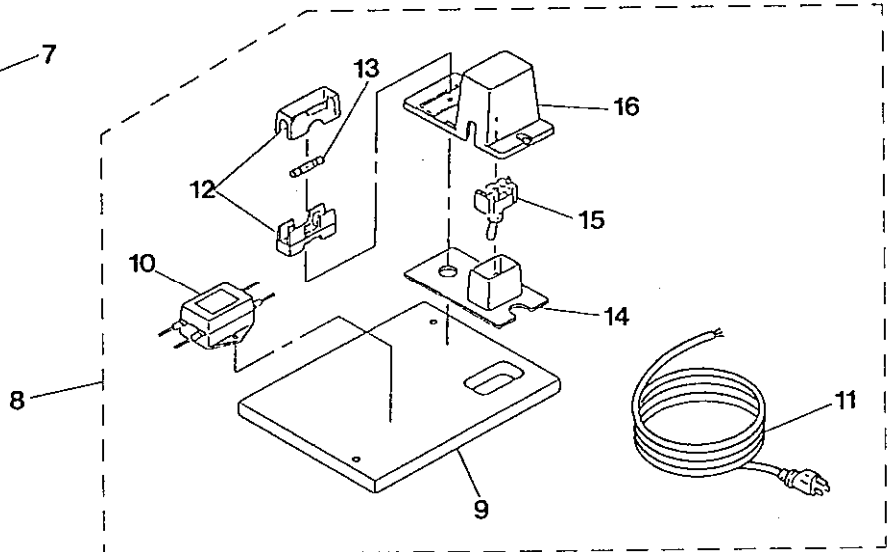
ITEM	PARTS No.	DESCRIPTION	
1	———	CONTROL PANEL ASSY	
2	青F90 03073A	CONTROL PANEL	
	赤F90 03312A	CONTROL PANEL	
3	E30 10620A	LOCK BRACKET	
4	E30 10624A	BASE HOLDER	
5	E90 00804A	TOP HANGER	
6	青G95 00726A	SELECT PLATE	CARD READER
	赤G95 00786A	SELECT PLATE B RED	
7	F90 03171A	LED PLATE	
8	青G95 00724A	SELECT PLATE	
	赤G95 00785A	SELECT PLATE A RED	
9	E20 00091A	COIN ENTRY MOLDING	
10	E30 00262A	ENTRY PLATE	¥100
11	C02 00330A	PUSH BUTTON SWITCH	WHITE OBSF-24
12	G60 00179A	PRICE CARD	1P-¥100 1P-¥50
13	E30 10621A	PRICE CARD HOLDER	
14	青G55 00279A	CONTROL PLATE	2J8B
	赤G55 00286A	CONTROL PLATE RED	
15	E30 10622A	CONTROL BASE SUPPORT	
16	C02 00346A	SPEED PUSH BUTTON	ORANGE OBSF-30
17	C02 00288A	SPEED PUSH BUTTON	YELLOW OBSF-30
18	F90 01053A	BUTTON COVER D=30	DP-1187
19	K91 00287A	LED PC BOARD ASSY	
	L30 00432D	K HARNESS W	
20	M03 01632A	CONTROL BASE ASSY	
21	E30 10623A	CONTROL BASE	
22	M01 00166A	JOYSTICK ASSY BLACK KNOB	D=35 LS-32



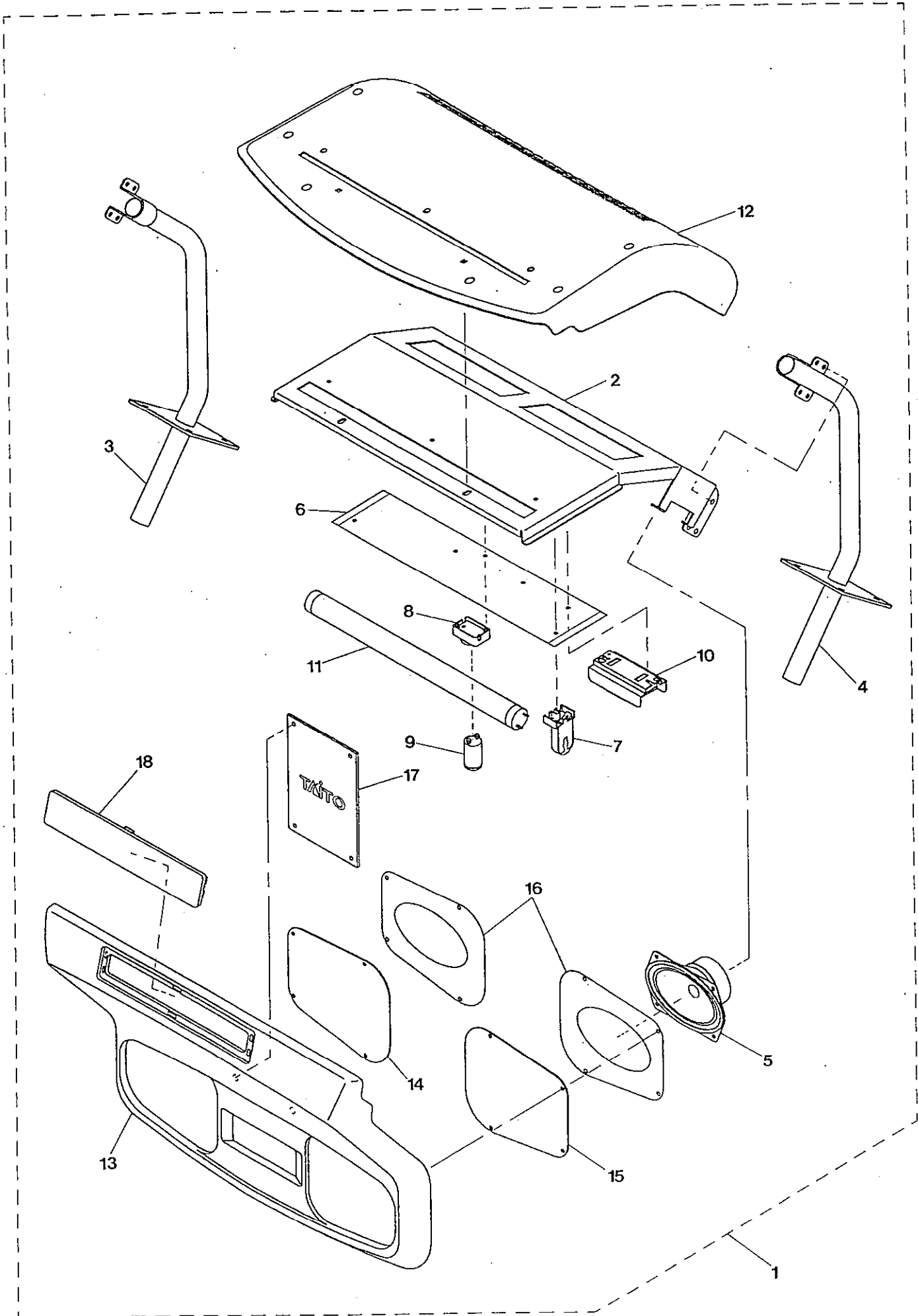
ITEM	PARTS No.	DESCRIPTION	
1	M05 00264A	REJECTOR DOOR ASSY	
2	E30 10457A	REJECTOR DOOR	
3	E50 00113B	LOCK & KEY SINGLE	LY-0069
4	E30 10626A	DOOR LOCK	
5	E30 10625A	CUP	
6	E30 03641A	SHUTTER	
7	E90 00708A	REJECTOR HOLDER	
8	E30 09250A	LEVER	
9	E10 01297A	CANCEL ROD	
10	E40 00230A	BUTTON SPRING	
11	C02 00365A	MICRO SWITCH	E53-60R-003A
12	E30 00285A	MS COIN GUIDE	
13	E30 00180A	ACTUATOR COVER	
14	E50 40091A	REJECTOR	¥100 AD-81PP
15	E30 00948A	LOCK PLATE	
16	M90 03105A	SERVICE CONTROL ASSY	
17	E30 10627A	SERVICE BRACKET	
18	C02 00313A	PUSH SWITCH	DS-412 2P
19	C02 00410A	ROCKER SWITCH	MSR-2
20	A21 06601A	VARIABLE RESISTOR	100 OHM RPH10A
21	C02 00300A	PUSH BUTTON	B30-R(100)
22	C05 50485A	SERVICE OUTLET	CR-01
23	G10 00982A	SERVICE STICKER	
	L90 02899A	D HARNESS	



⚠ 危険 ⚠ DANGER 高電圧注意 HAZARDOUS VOLTAGE	
<small> 注意、修理者は 本機を修理する 前に必ず電源を 切断し、内部の 部品を点検する こと。また、修理 後は必ず電源を 再接続し、動作 を確認すること。 修理の際は必ず 取扱説明書を読 んでください。 </small>	<small> CAUTION: REPAIRMEN MUST ALWAYS DISCONNECT THE POWER SUPPLY BEFORE WORKING ON THE UNIT. AFTER REPAIR, ALWAYS RECONNECT THE POWER SUPPLY AND CHECK THE OPERATION. ALWAYS READ THE SERVICE MANUAL BEFORE REPAIR. </small>
OFF-ON	7-λ 7-λ 3 A
COIN METER	7-λ 7-λ 5 A
SERVICE OUTLET	E E ON
NOT USE	E E I
0.5A 1A 2A 6A	OFF
SOUND VOLUME SWITCH	TEST SWITCH
SERVICE SWITCH	CLEAR SWITCH
SWITCH	SEAT VOLUME
DEGAUSSING SWITCH	L R

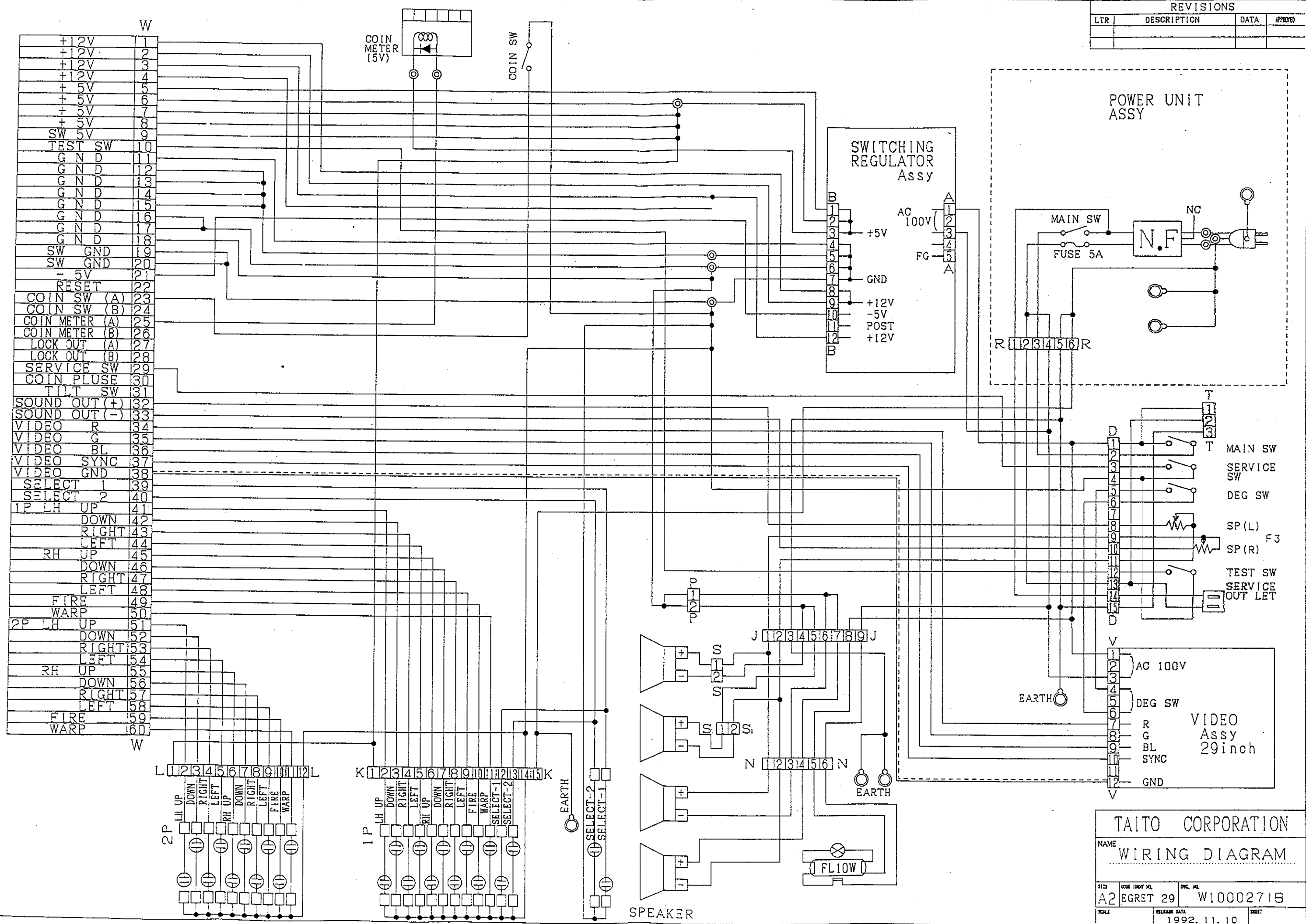


ITEM	PARTS No.	DESCRIPTION	
1	E30 10461A	BACK DOOR	
2	E30 10463A	CORD BOX DOOR	
3	E50 00127B	LOCK SINGLE	LY-0069
4	E30 00009A	LOCK PLATE	
5	E30 10600A	MASK PLATE	
6	F90 01871A	HEYCO HALL PLUG	2633DP-437
7	G10 01106A	CABINET STICKER SHEET	
8	M90 03106A	ELECTRIC BASE ASSY	
9	D20 01249B	POWER BOARD	
10	C18 00026B	NOISE FILTER	MR-2055 250V 5A
11	C07 00209A	AC CORD	WITH PLUG 3P -F-
12	C05 50149A	FUSE HOLDER	1P F-7101
13	C16 00037A	FUSE	5A 125V
14	F90 03665A	MAIN SWITCT BASE	
15	C02 00020A	TOGGLE SWITCH	ET125A-12
16	F90 03664A	MAIN SWITCH COVER	
	L90 03283A	POWER HARNESS	



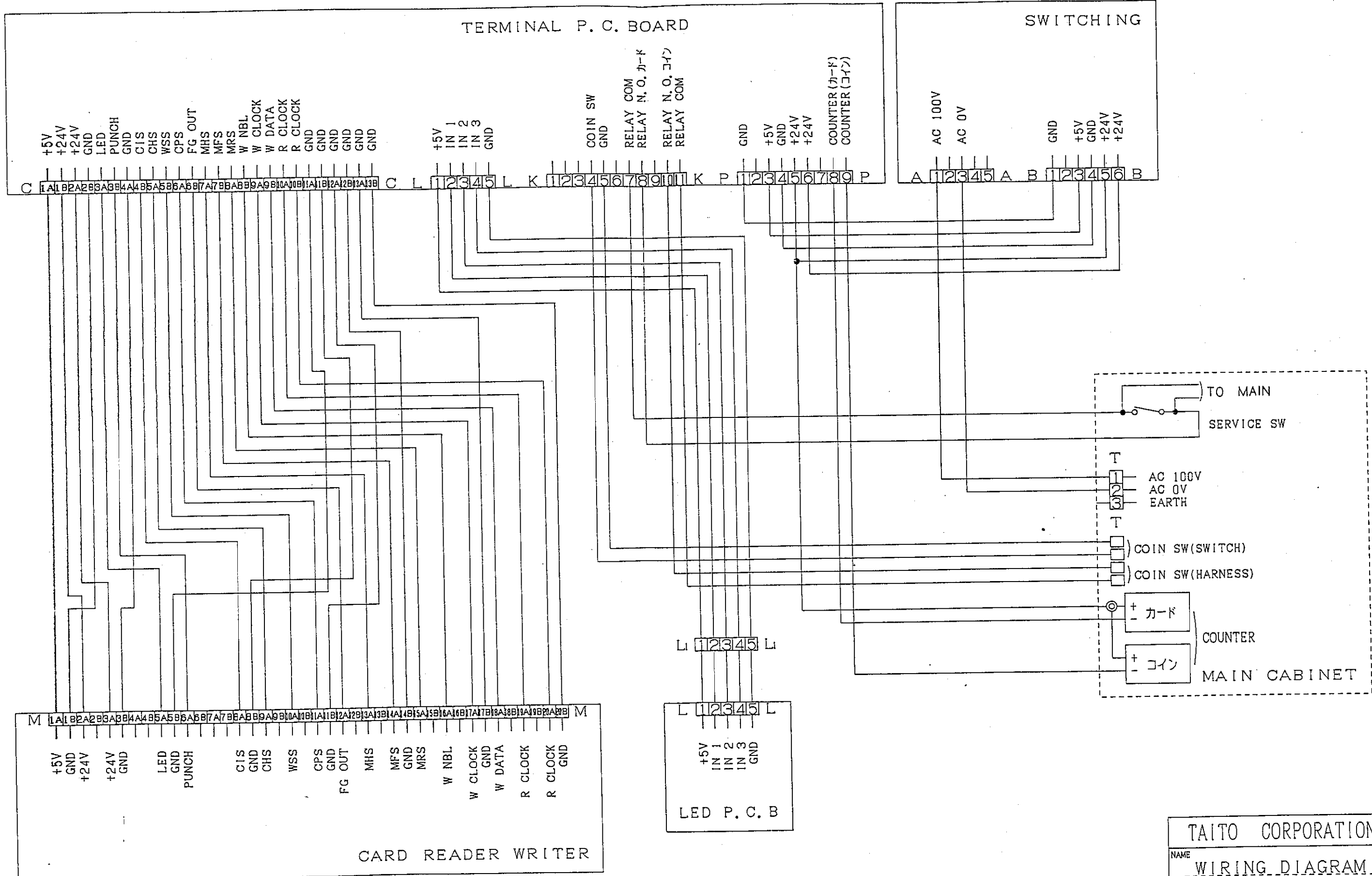
ITEM	PARTS No.	DESCRIPTION	
1	M90 03120A	ILLUMINATION BOX ASSY	
2	E30 10646A	ILLUMINATION SUPPORT	
3	E90 00809B	PIPE L	
4	E90 00810B	PIPE R	
5	A60 00086A	SPEAKER	8 OHM 5.5W 3x5
6	F90 03155A	INSULATION SHEET	
7	C05 50303A	FL SOCKET	1A 250V
8	C05 50352A	GLOW SOCKET	1A 250V
9	C14 00104A	GLOW LAMP	FG-7P
10	C10 00301A	CHOKE TRANS	10W FBAB-11L-US7
11	C15 00003A	FL LAMP	100V 10W FL10
12	F90 03074A	ILLUMINATION BOX A	
13	F90 03075B	ILLUMINATION BOX B	
14	E30 10644A	SPEAKER COVER L	
15	E30 10645A	SPEAKER COVER R	
16	F90 03156A	SPEAKER MASK	
17	G95 00734B	NAME PLATE A	
18	G95 00722B	NAME PLATE B	
	L90 02812A	FL HARNESS	

REVISIONS			
LTR	DESCRIPTION	DATE	APPROVED



TAITO CORPORATION			
NAME: WIRING DIAGRAM			
SIZE: A2	CODE (REV. NO.): EGRST 29	QWC. NO.: W1000271B	
SCALE:	RELEASE DATE: 1992. 11. 10		

REVISIONS			
LTR	DESCRIPTION	DATA	APPROVED



TAITO CORPORATION

NAME
WIRING DIAGRAM

SIZE	CODE IDENT. NO.	REV. NO.
A2	EGRET (TCR)	
SCALE	RELEASE DATE	DRAWN
	1993. 3. 25	