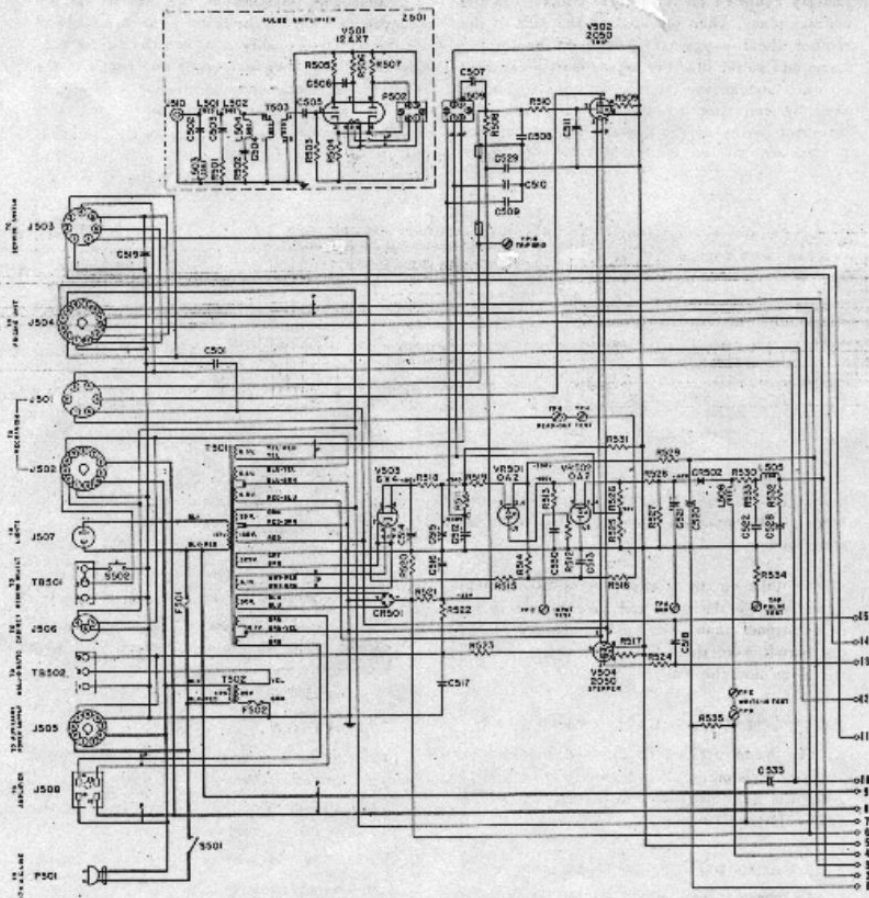


TORMAT SELECTION RECEIVER, TYPE TSR6

NOTE:

1. ALL SOCKETS AS VIEWED FROM SOLDERED END.
2. ALL PLUGS AS VIEWED FROM CABLE END.
3. LUGS 1 THRU 30 OF J511 & J512 ARE CONNECTED IN PARALLEL.
4. "P" INDICATES TWISTED LEADS.



Schematic Diagram