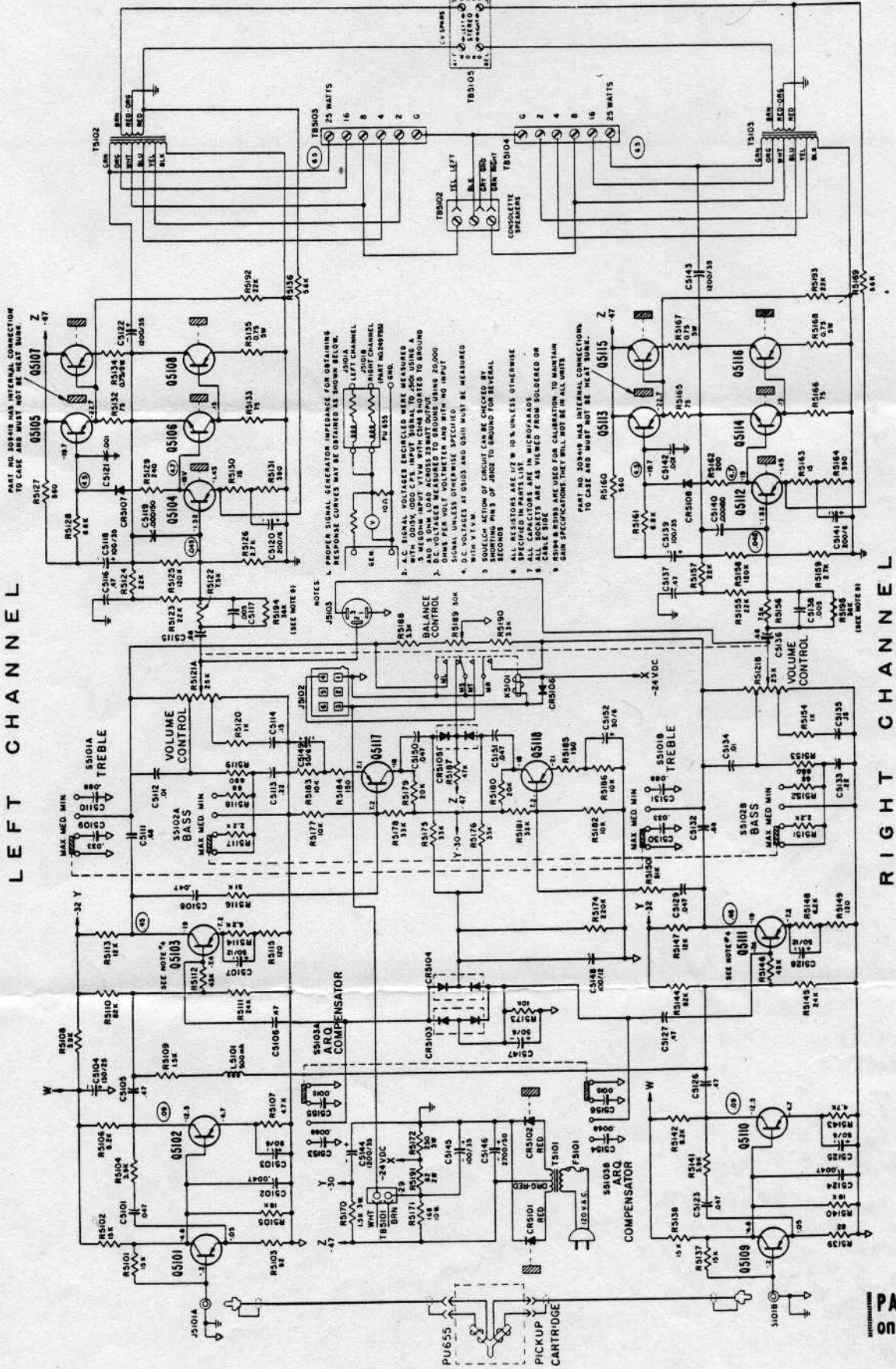


# TRANSISTORIZED STEREO AMPLIFIER, Type TSA4

DRAWING No. 306752



- NOTES
1. POWER SIGNAL GENERATOR IMPEDANCE FOR OBTAINING RESPONSE CURVES MAY BE OBTAINED AS SHOWN BELOW.
  2. SIGNAL GENERATOR CONNECTIONS: LEFT CHANNEL (PART NO. 304975M), RIGHT CHANNEL (PART NO. 304976M).
  3. SIGNAL GENERATOR: J5102.
  4. SIGNAL GENERATOR: J5101.
  5. SIGNAL GENERATOR: J5103.
  6. SIGNAL GENERATOR: J5104.
  7. SIGNAL GENERATOR: J5105.
  8. SIGNAL GENERATOR: J5106.
  9. SIGNAL GENERATOR: J5107.
  10. SIGNAL GENERATOR: J5108.
  11. SIGNAL GENERATOR: J5109.
  12. SIGNAL GENERATOR: J5110.
  13. SIGNAL GENERATOR: J5111.
  14. SIGNAL GENERATOR: J5112.
  15. SIGNAL GENERATOR: J5113.
  16. SIGNAL GENERATOR: J5114.
  17. SIGNAL GENERATOR: J5115.
  18. SIGNAL GENERATOR: J5116.
  19. SIGNAL GENERATOR: J5117.
  20. SIGNAL GENERATOR: J5118.

PARTS LIST on Reverse Side