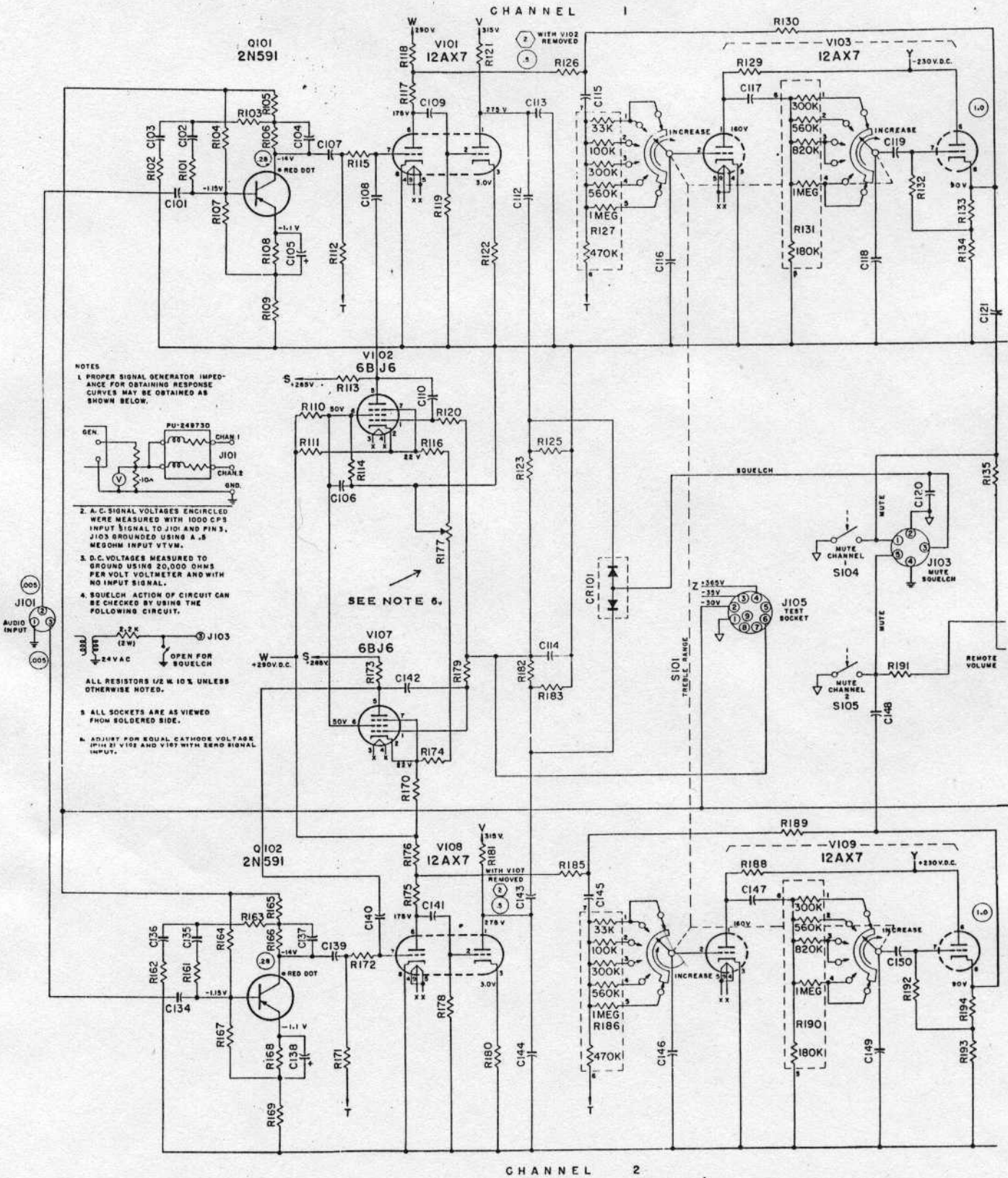
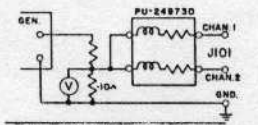


STEREO HIGH FIDELITY AMPLIFIER, Type SHFA2

DWG. NO. 308708



NOTES
 1. PROPER SIGNAL GENERATOR IMPEDANCE FOR OBTAINING RESPONSE CURVES MAY BE OBTAINED AS SHOWN BELOW.



2. A.C. SIGNAL VOLTAGES ENCIRCLED WERE MEASURED WITH 1000 CPS INPUT SIGNAL TO J101 AND PIN 5, J103 GROUNDED USING A .5 MEGOHM INPUT VTVM.

3. D.C. VOLTAGES MEASURED TO GROUND USING 20,000 OHMS PER VOLT VOLTMETER AND WITH NO INPUT SIGNAL.

4. SQUELCH ACTION OF CIRCUIT CAN BE CHECKED BY USING THE FOLLOWING CIRCUIT.



ALL RESISTORS 1/2 W 10% UNLESS OTHERWISE NOTED.

5. ALL SOCKETS ARE AS VIEWED FROM SOLDERED SIDE.

6. ADJUST FOR EQUAL CATHODE VOLTAGE (PIN 5) V101 AND V107 WITH ZERO SIGNAL INPUT.

SEE NOTE 6.